

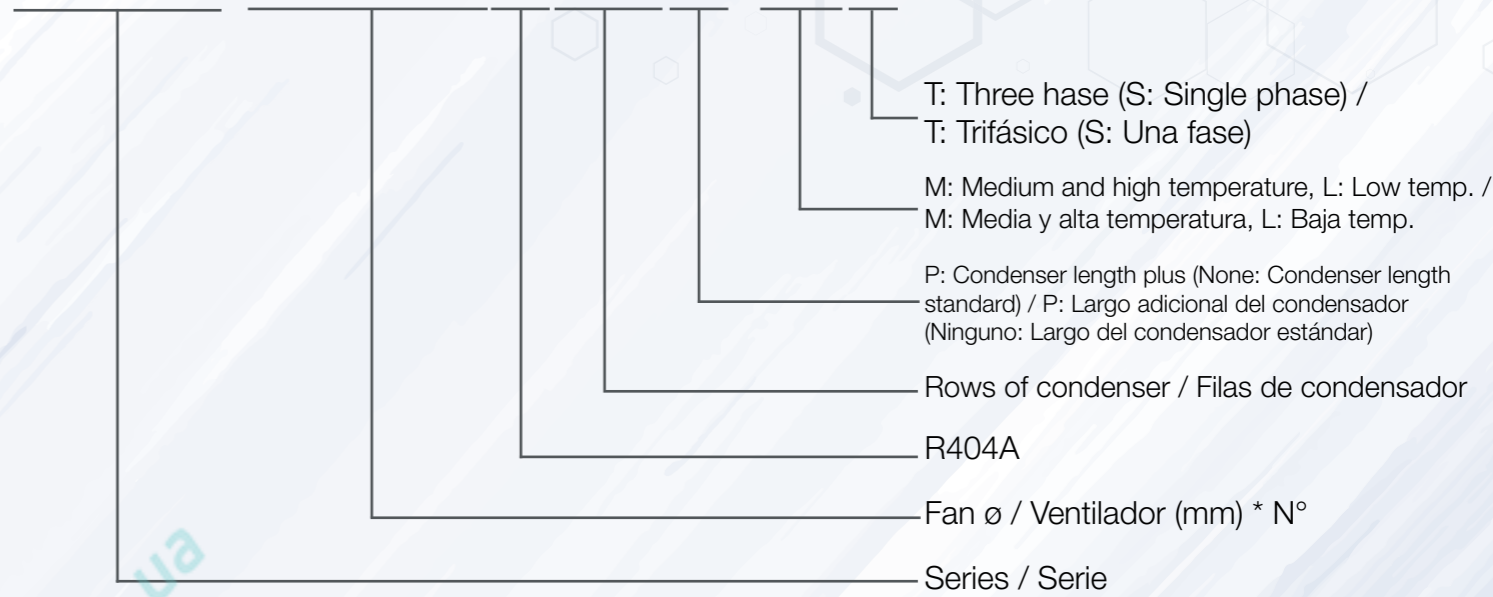
Hispania Catalogue

www.pholod.com.ua

Condensing Unit
50Hz 2021



HUA 4501Z03P MT



The compact footprint of these condensing units series enables the installer easy & quick installation. HUA condensing units can be equipped with SCROLL or reciprocating compressors for commercial refrigeration in high, medium and low back pressure conditions covering a wide operation envelope. The HUA design ensures a wider operating envelope, especially in high ambient conditions.

The range includes models suitable for all common fluorinated refrigerants. A complete range from a single source.

Inner-Grooved Copper Tubing:
The inside surface of copper tubing is grooved with inner slots to enlarge the contact surface area—increasing heat efficiency exchange by 10-12%.

Blue Fin Coating:
On outdoor units, Blue Fin coating helps protect the parts from corrosion.

Supported to the casing by means of a “floating” system that avoids any kind of contact between the copper tubes and the supporting end plates, assuring a long life for the condenser without leaks.

El tamaño compacto de estas unidades condensadoras permite una fácil y rápida instalación. El diseño del HUA garantiza una amplia operación, especialmente en ambientes de alta temperatura. Las unidades de condensación HUA pueden ser equipados con compresores SCROLL o reciprocantes para la refrigeración comercial en alta, media y bajas condiciones de presión cubriendo una amplia operación.

La gama incluye modelos adecuados para todos los refrigerantes fluorados. Una gama completa desde una sola fuente.

Tubos de cobre con ranuras interiores:
La superficie interna de la tubería de cobre está ranurada con ranuras internas para aumentar el intercambio de eficiencia de calor del área de contacto de superficie en un 10-12%.

Revestimiento de aleta azul:
En las unidades exteriores, el revestimiento Blue Fin ayuda a proteger las piezas de la corrosión.

Soportado a la carcasa por medio de un sistema “flotante” que evita cualquier tipo de contacto entre los tubos de cobre y las placas extremas de soporte, asegurando una larga vida útil del condensador sin fugas.



HUA CONDENSING UNIT
UNIDAD CONDENSADORA HUA

General features:
 The condensing unit HUA range is designed for commercial refrigeration at midium and low temperatures. Specially designed with tropical condenser made from high quality inner-grooved copper tubes ø7mm, low noise operation, easy maintenance, finest components to guarantee final quality control. All condensing units are complied with directives 97/23/EC Pressure Equipment (P.E.D).

- Accessories:**
- Powder coated Zinc plate highly anti-corrosion strength.
 - Tropical condenser coil with copper tube and aluminium fins.
 - Sound insulation.
 - Hermetic scroll or reciprocating compressor.
 - Dural pressure switch with automatic reset -Solenoid valve on liquid line.
 - Filter drier on liquid line.
 - Sight glass with moisture indicator.
 - Liquid receiver.
 - Shut-off valves for liquid and suction line.
 - Ziehl-Abegg or Maer axial fan motors.
 - Manometers.

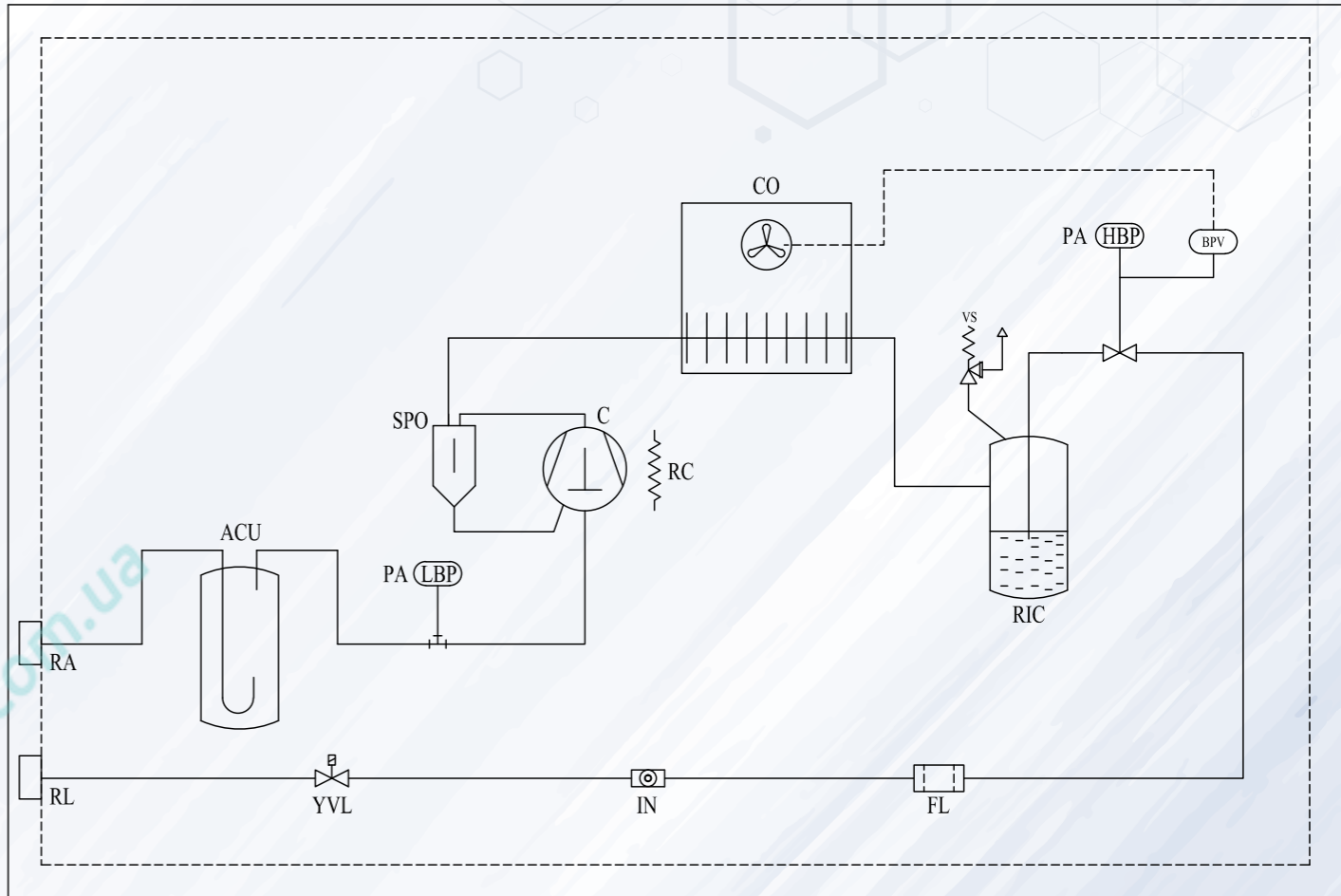
- Optional items:**
- Fan speed controller based on condenser pressure.
 - Oil separator.
 - Crankcase heater.
 - Built in electric control panel.
 - Suction accumulator.
 - Different voltage & gas.
 - Safety relief valve.

Características generales:
 La unidad condensadora HUA está diseñada para la refrigeración comercial a media y baja temperatura. Especialmente diseñado con condensador tropical hecho de tubos de cobre con ranuras internas de alta calidad de ø7 mm, operaciones de bajo ruido, fácil mantenimiento, con los mejores componentes para garantizar el control de calidad final. Todas las unidades condensadoras cumplen con las directivas 97/23/EC Equipo de presión (P.E.D).

- Accesorios:**
- Paquete de aletas con tratamiento anti corrosión.
 - Condensador tropicalizado.
 - Unidad condensadora insonorizada.
 - Compresor Scroll o hermetico de pistones.
 - Doble presostato con rearme automatico. Alta y baja presión.
 - Válvula selenoide en línea de líquido.
 - Filtro deshidratador en línea de líquido.
 - Visor de líquido.
 - Recipiente de liquido (calderin).
 - Válvulas de servicio en línea de líquido y aspiración.
 - Ventilador axial Ziehl-Abegg o Maer.
 - Manómetros.

- Accesorios opcionales:**
- Control de velocidad, según la condensación.
 - Separador de aceite.
 - Resistencia de carter.
 - Panel eléctrico de control.
 - Acumulador de succión.
 - Diferente voltaje & gas.
 - Válvula de seguridad homologada.

HUA CONDENSING UNIT
UNIDAD CONDENSADORA HUA



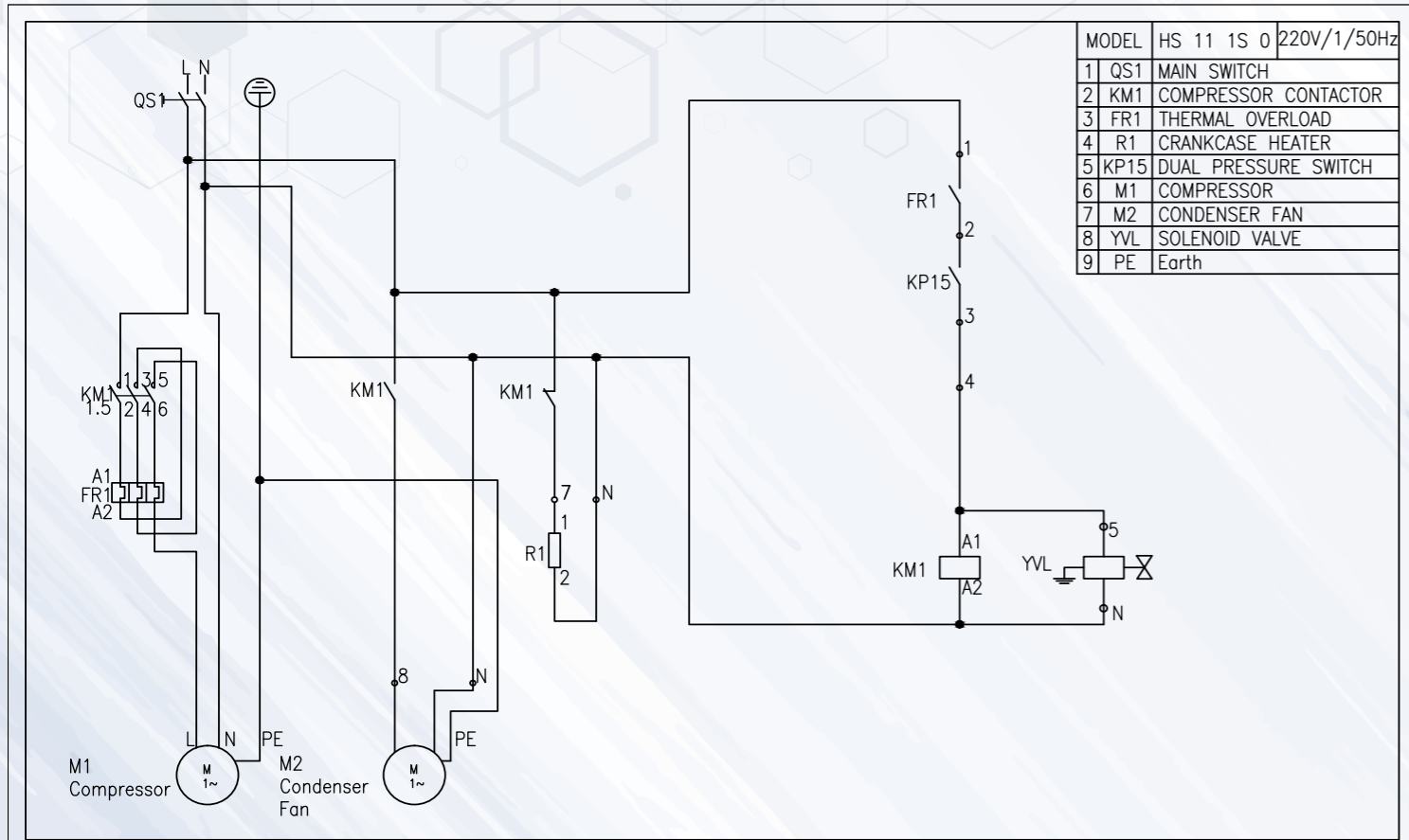
- Accessories:**
- CO -Tropical condenser coil with copper tube and aluminium fins
 - C -Hermetic scroll or reciprocating compressor
 - PA -Dural pressure switch with automatic reset
 - YVL -Solenoid valve on liquid line
 - FL -Filter drier on liquid line
 - IN -Sight glass with moisture indicator
 - RIC -Liquid receiver
 - RL/RA -Shut-off valves for liquid and suction line

- Optional items:**
- BPV -Fan speed controller based on condenser pressure
 - Oil separator
 - RC -Crankcase heater
 - ACU -Suction accumulator
 - VS -Safety relief valve

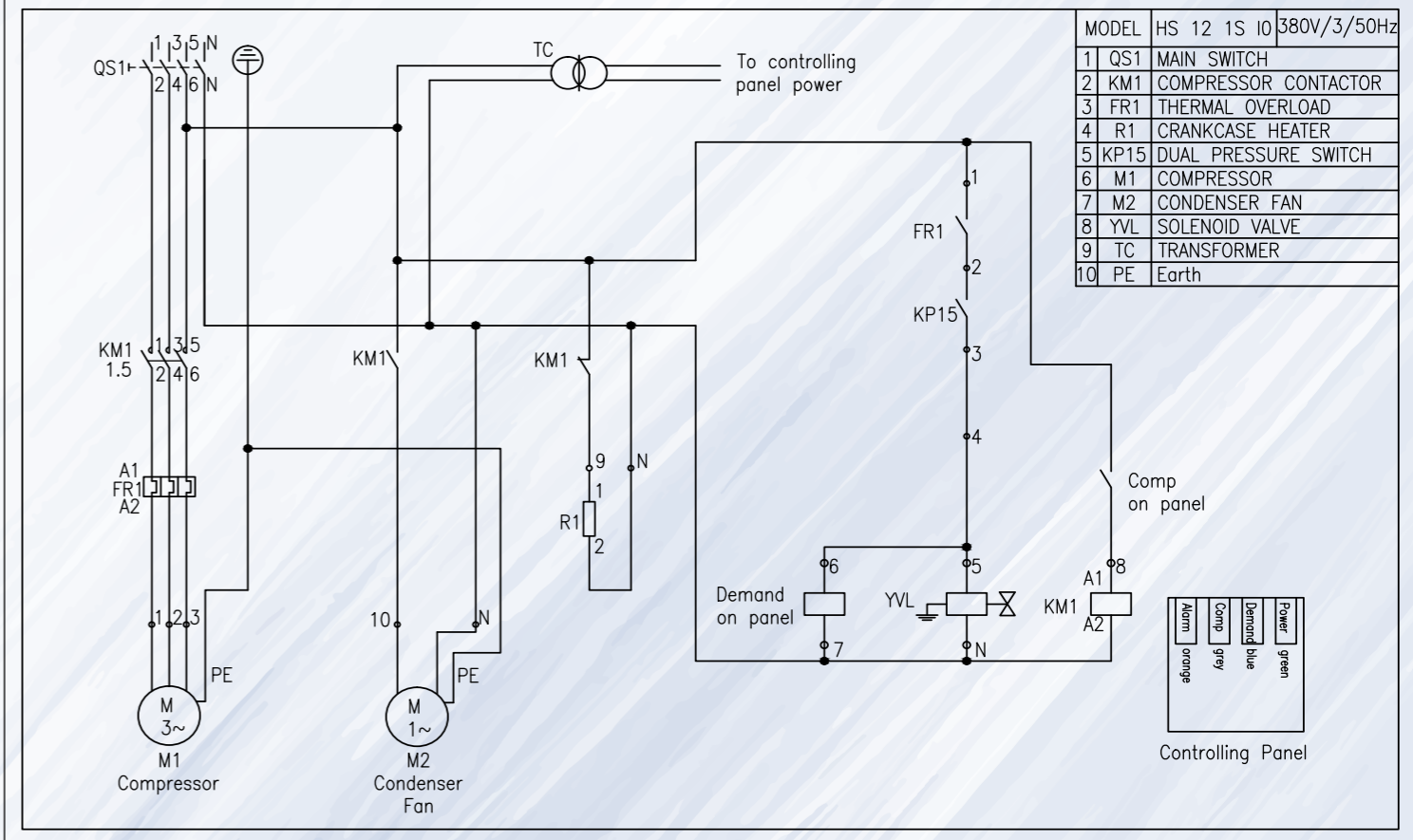
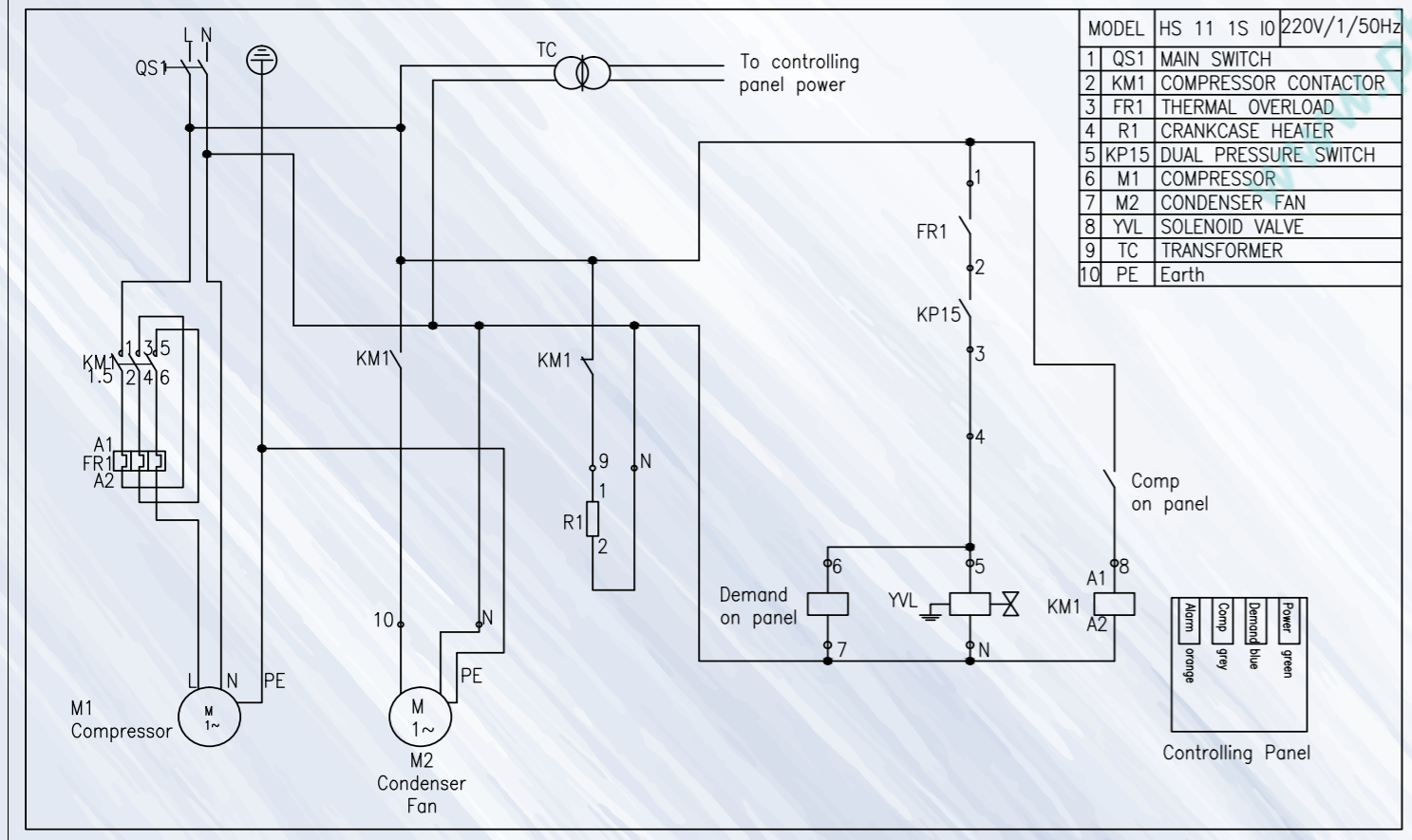
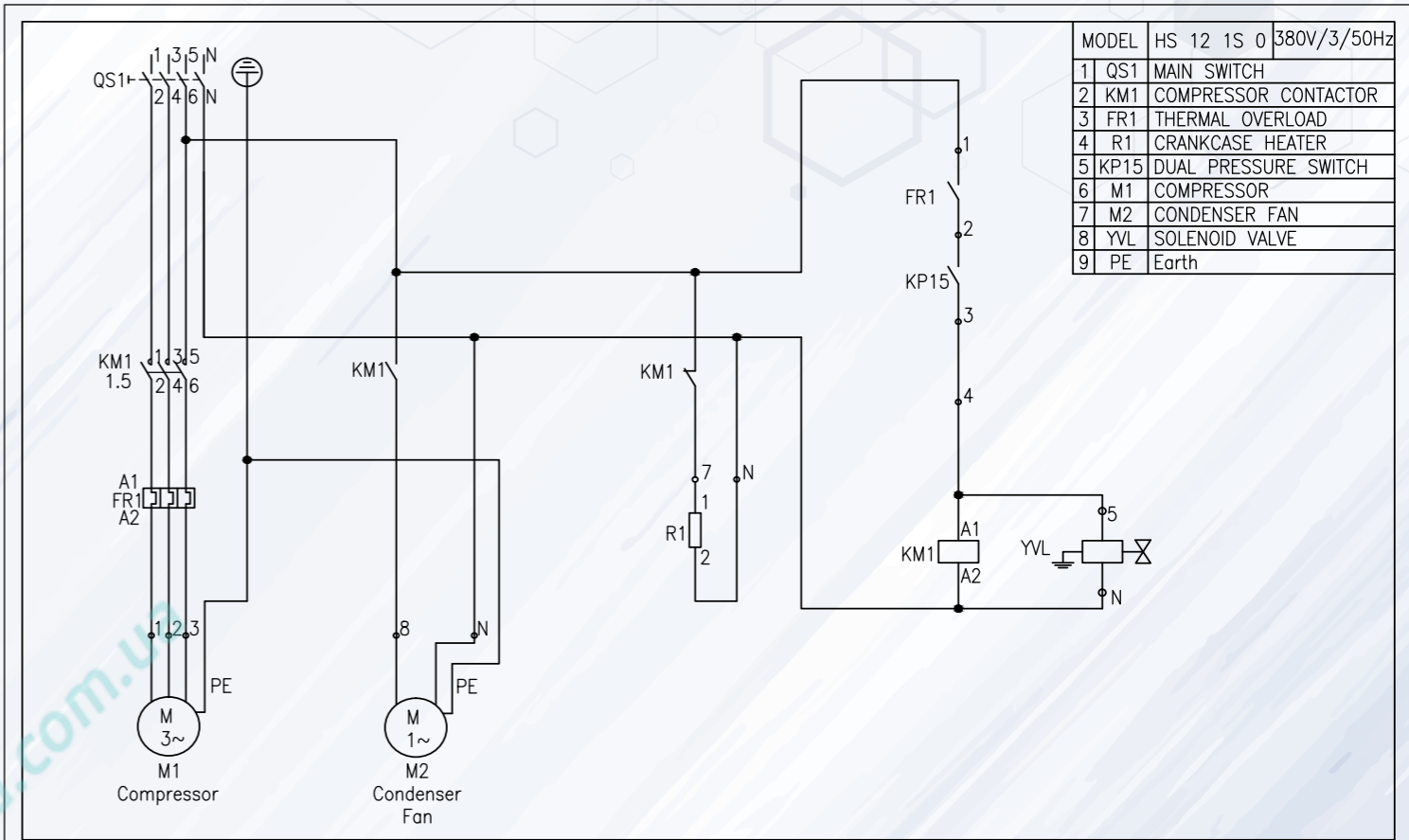
- Accesorios:**
- CO -Condensador tropicalizado
 - C -Compresor Scroll o hermetico de pistones
 - PA -Doble presostato con rearme automatico. Alta y baja presión.
 - YVL -Válvula selenoide en línea de líquido
 - FL -Filtro deshidratador en línea de líquido
 - IN -Visor de líquido
 - RIC -Recipiente de liquido (calderin)
 - RL/RA -Válvulas de servicio en línea de líquido y aspiración

- Accesorios opcionales:**
- BPV -Control de velocidad, según la condensación
 - SPO -Separador de aceite
 - RC -Resistencia de carter
 - ACU -Acumulador de succión
 - VS -Válvula de seguridad homologada

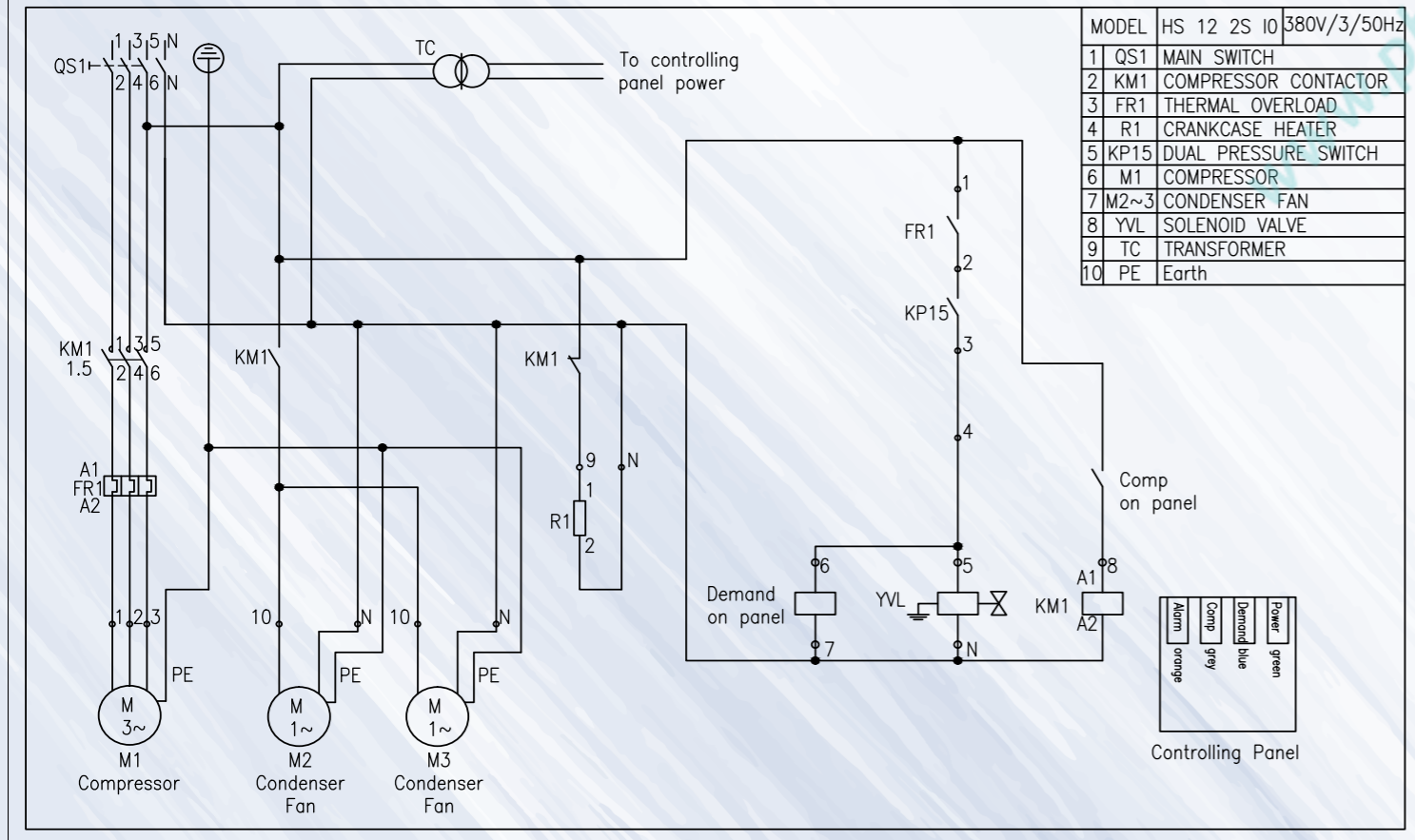
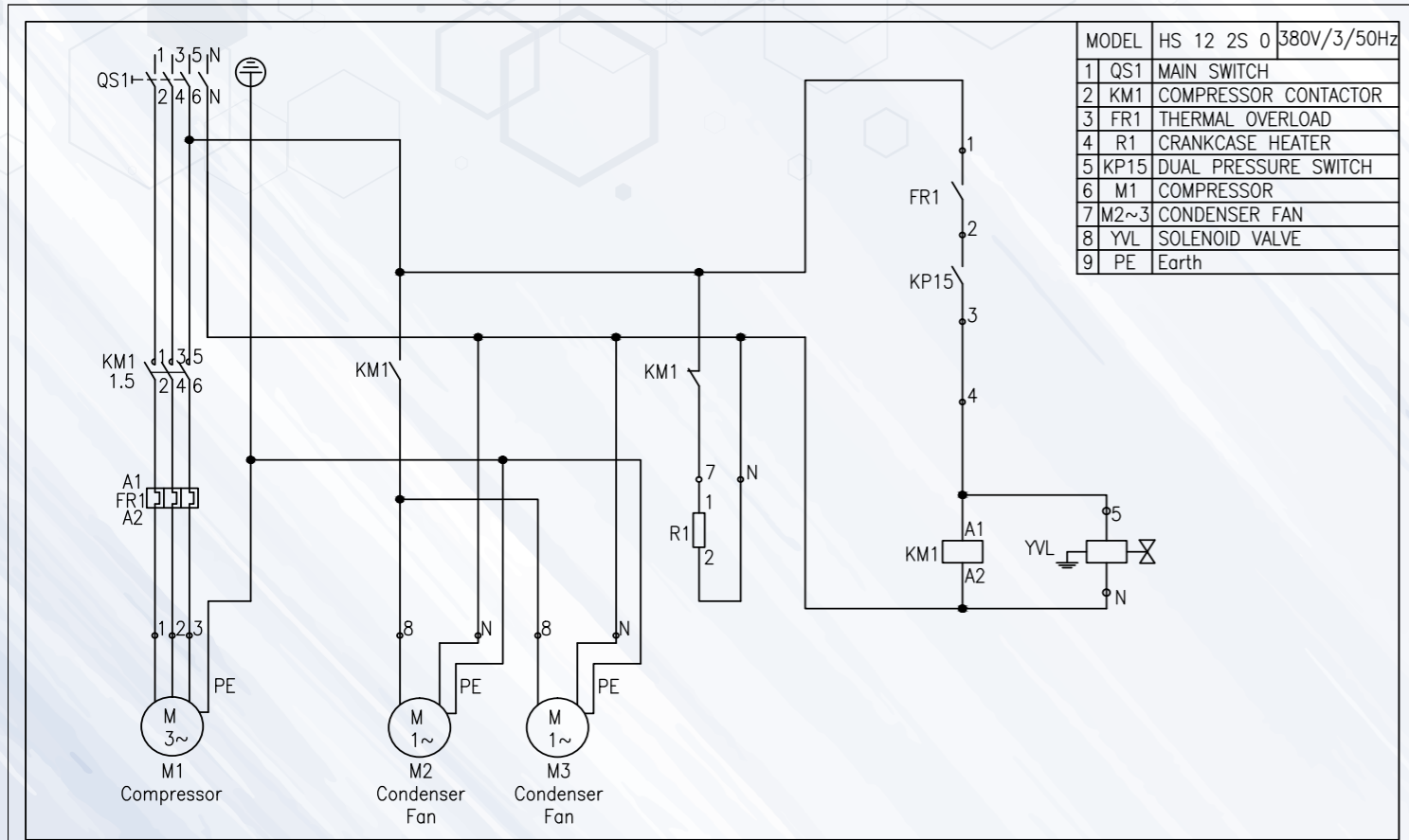
HUA CONDENSING UNIT
UNIDAD CONDENSADORA HUA



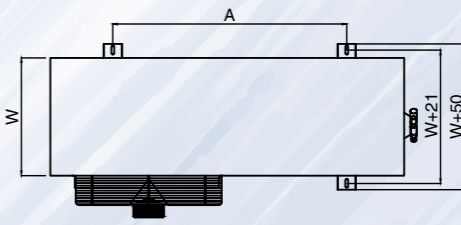
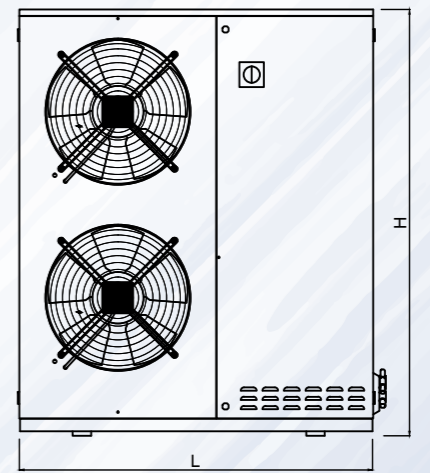
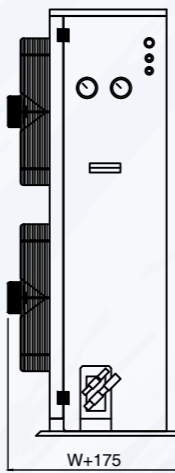
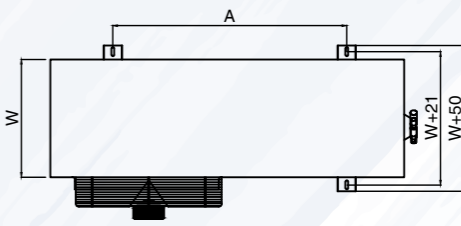
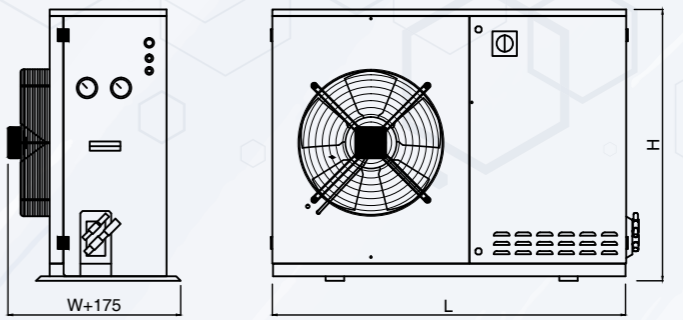
HUA CONDENSING UNIT
UNIDAD CONDENSADORA HUA



HUA CONDENSING UNIT
UNIDAD CONDENSADORA HUA



HUA CONDENSING UNIT
UNIDAD CONDENSADORA HUA



| Model/ Model | Dimensions / Dimensiones (mm) | | | |
|-----------------|-------------------------------|-----|------|------|
| | L | W | A | H |
| HUA 4001... | 1000 | 395 | 550 | 525 |
| HUA 4501... | 1000 | 395 | 550 | 675 |
| HUA 4501P... | 1150 | 395 | 646 | 875 |
| HUA 5001... | 1150 | 395 | 646 | 975 |
| HUA 4502... | 1300 | 400 | 786 | 1275 |
| HUA 5002... | 1300 | 400 | 786 | 1275 |
| HUA 5002P... | 1500 | 445 | 986 | 1275 |
| HUA 5502P... | 1700 | 550 | 1086 | 1475 |

HUA CONDENSING UNIT

UNIDAD CONDENSADORA HUA



Electric data/ Datos eléctricos

| HMBP R404A | Compressor/ Compresor | | Condenser/ Condensador | | Axial fan motor/ Ventilador de motor axial | | | | | | Noise/ ruido *Dist. =10m | Pipe Fittings/ Tuberías | | N.W K.G | MOC A | Liquid Receiver Volume L |
|-----------------|--------------------------|-----|---|--|---|-------------------|-------|---------------------------------|--------------------------|------|-----------------------------------|----------------------------|--------|------------|----------|--------------------------------|
| | Model/ Modelo | HP | Capacity/ Capacidad Δ T=15K kW | Surface/ Superficie M ² | N°xø | m ³ /h | Poles | Voltage/ Voltaje (V/50Hz) | Absorption/ Absorción | | | D | S | | | |
| | | | | | | | | | W | A | | | | | | |
| HUA 4501Z04 MS | ZB15KQE-PFJ | 2 | 8.23 | 20 | 1x450 | 2706 | 6 | 1~220 | 260 | 1.20 | 49 | 3/8" | 3/4" | 58 | 14.00 | 4 |
| HUA 4501Z04 MT | ZB15KQE-TFD | 2 | 8.23 | 20 | 1x450 | 2706 | 6 | 1~220 | 260 | 1.20 | 49 | 3/8" | 3/4" | 58 | 6.10 | 4 |
| HUA 4501Z03P MS | ZB19KQE-PFJ | 2.5 | 11.01 | 27 | 1x450 | 3981 | 6 | 1~220 | 260 | 1.20 | 49 | 3/8" | 3/4" | 70 | 13.60 | 4 |
| HUA 4501Z03P MT | ZB19KQE-TFD | 2.5 | 11.01 | 27 | 1x450 | 3981 | 6 | 1~220 | 260 | 1.20 | 49 | 3/8" | 3/4" | 70 | 7.70 | 4 |
| HUA 5001Z03 MS | ZB21KQE-PFJ | 3 | 12.38 | 31 | 1x500 | 4475 | 6 | 1~220 | 290 | 1.30 | 49 | 1/2" | 3/4" | 75 | 17.72 | 4 |
| HUA 5001Z03 MT | ZB21KQE-TFD | 3 | 12.38 | 31 | 1x500 | 4475 | 6 | 1~220 | 290 | 1.30 | 49 | 1/2" | 3/4" | 75 | 8.45 | 4 |
| HUA 5001Z04 MT | ZB26KQE-TFD | 3.5 | 13.99 | 41 | 1x500 | 4232 | 6 | 1~220 | 290 | 1.30 | 49 | 1/2" | 3/4" | 77 | 10.15 | 4 |
| HUA 5001Z04 MT | ZB29KQE-TFD | 4 | 13.99 | 41 | 1x500 | 4232 | 6 | 1~220 | 290 | 1.30 | 49 | 1/2" | 7/8" | 99 | 11.30 | 6 |
| HUA 5002Z03 MT | ZB38KQE-TFD | 5 | 22.03 | 51 | 2x500 | 8489 | 6 | 1~220 | 580 | 2.60 | 52 | 1/2" | 7/8" | 104 | 15.40 | 6 |
| HUA 5002Z04 MT | ZB45KQE-TFD | 6 | 25.28 | 69 | 2x500 | 7932 | 6 | 1~220 | 580 | 2.60 | 52 | 1/2" | 7/8" | 108 | 15.70 | 8 |
| HUA 5002Z04 MT | ZB48KQE-TFD | 7 | 25.28 | 69 | 2x500 | 7932 | 6 | 1~220 | 580 | 2.60 | 52 | 1/2" | 7/8" | 108 | 16.60 | 8 |
| HUA 5002Z04P MT | ZB58KQE-TFD | 8 | 29.07 | 88 | 2x500 | 8659 | 6 | 1~220 | 580 | 2.60 | 54 | 5/8" | 1 1/8" | 121 | 18.50 | 10 |
| HUA 5002Z05P MT | ZB76KQE-TFD | 10 | 30.92 | 110 | 2x500 | 8259 | 6 | 1~220 | 580 | 2.60 | 53 | 5/8" | 1 1/8" | 130 | 23.00 | 10 |

The noise levels refer to the average value recored during 24h of daily functioning with fan motors controlled speed, standard housing sound absorption and compressor jacket (optional items). Alternative conditions may produce different results. /

Los niveles de ruido se refieren al valor promedio registrado durante 24 horas de funcionamiento con ventiladores, velocidad controlada, absorción de sonido con gabinete estándar y chaqueta para compresor (ítems opcionales). Las condiciones alternativas pueden producir diferentes resultados.

Refrigeration capacity/ Capacidad de refrigeración

| HMBP R404A | Compressor/ Compresor | | Performance/ Rendimiento (kW) | | | |
|-----------------|--------------------------|-----|---|-------|-------|-------|
| | Model/ Modelo | HP | Evaporating Temperature/ Temperatura de evaporación (°C) | | | |
| -5°C | | | -10°C | -15°C | -20°C | |
| HUA 4501Z04 MS | ZB15KQE-PFJ | 2 | 3.80 | 3.17 | 2.61 | 2.13 |
| HUA 4501Z04 MT | ZB15KQE-TFD | 2 | 3.60 | 2.95 | 2.37 | 1.84 |
| HUA 4501Z03P MS | ZB19KQE-PFJ | 2.5 | 4.39 | 3.65 | 3.01 | 2.46 |
| HUA 4501Z03P MT | ZB19KQE-TFD | 2.5 | 4.58 | 3.81 | 3.14 | 2.56 |
| HUA 5001Z03 MS | ZB21KQE-PFJ | 3 | 5.62 | 4.67 | 3.85 | 3.14 |
| HUA 5001Z03 MT | ZB21KQE-TFD | 3 | 5.50 | 4.58 | 3.77 | 3.08 |
| HUA 5001Z04 MT | ZB26KQE-TFD | 3.5 | 6.43 | 5.35 | 4.41 | 3.60 |
| HUA 5001Z04 MT | ZB29KQE-TFD | 4 | 7.46 | 6.21 | 5.12 | 4.17 |
| HUA 5002Z03 MT | ZB38KQE-TFD | 5 | 9.42 | 7.83 | 6.46 | 5.26 |
| HUA 5002Z04 MT | ZB45KQE-TFD | 6 | 11.05 | 9.17 | 7.56 | 6.17 |
| HUA 5002Z04 MT | ZB48KQE-TFD | 7 | 12.15 | 10.10 | 8.23 | 6.78 |
| HUA 5002Z04P MT | ZB58KQE-TFD | 8 | 14.70 | 12.10 | 9.68 | 7.41 |
| HUA 5002Z05P MT | ZB76KQE-TFD | 10 | 19.60 | 16.25 | 13.30 | 10.65 |

Test condition: Ambient temperature: 35°C, Condensing temperature: 50°C /
Condiciones de prueba: temperatura ambiente: 35°C, temperatura de condensación: 50°C

HUA CONDENSING UNIT

UNIDAD CONDENSADORA HUA



Electric data/ Datos eléctricos

| LBP R404A | Compressor/ Compresor | | Condenser/ Condensador | | Axial fan motor/ Ventilador de motor axial | | | | | | Noise/ ruido *Dist. =10m | Pipe Fittings/ Tuberías | | N.W K.G | MOC A | Liquid Receiver Volume L |
|-----------------|--------------------------|-----|---|--|---|-------------------|-------|---------------------------------|--------------------------|------|-----------------------------------|----------------------------|------|------------|----------|--------------------------------|
| | Model/ Modelo | HP | Capacity/ Capacidad Δ T=15K kW | Surface/ Superficie M ² | N°xø | m ³ /h | Poles | Voltage/ Voltaje (V/50Hz) | Absorption/ Absorción | | | D | S | | | |
| | | | | | | | | | W | A | | | | | | |
| HUA 4501Z04 LS | ZSI06KQE-PFS | 2 | 8.23 | 20 | 1x450 | 2706 | 6 | 1~220 | 260 | 1.20 | 53 | 3/8" | 3/4" | 57 | 14.80 | 4 |
| HUA 4501Z04 LT | ZSI06KQE-TFP | 2 | 8.23 | 20 | 1x450 | 2706 | 6 | 1~220 | 260 | 1.20 | 52 | 3/8" | 3/4" | 57 | 6.90 | 4 |
| HUA 4501Z03P LS | ZSI08KQE-PFS | 2.5 | 11.01 | 27 | 1x450 | 3981 | 6 | 1~220 | 260 | 1.20 | 52 | 3/8" | 3/4" | 67 | 16.80 | 4 |
| HUA 4501Z03P LT | ZSI08KQE-TFP | 2.5 | 11.01 | 27 | 1x450 | 3981 | 6 | 1~220 | 260 | 1.20 | 52 | 3/8" | 3/4" | 67 | 7.30 | 4 |
| HUA 4501Z03P LT | ZSI09KQE-TFP | 3 | 11.01 | 27 | 1x450 | 3981 | 6 | 1~220 | 260 | 1.20 | 52 | 1/2" | 3/4" | 69 | 7.90 | 4 |
| HUA 5001Z04 LT | ZSI11KQE-TFP | 3.5 | 13.99 | 41 | 1x500 | 4232 | 6 | 1~220 | 290 | 1.30 | 55 | 1/2" | 7/8" | 77 | 8.80 | 4 |
| HUA 5001Z05 LT | ZSI14KQE-TFP | 4 | 14.85 | 51 | 1x500 | 4027 | 6 | 1~220 | 290 | 1.30 | 57 | 1/2" | 7/8" | 95 | 10.50 | 6 |
| HUA 5002Z02 LT | ZSI15KQE-TFP | 5 | 17.76 | 34 | 2x500 | 9143 | 6 | 1~220 | 580 | 2.60 | 58 | 1/2" | 7/8" | 97 | 14.50 | 6 |
| HUA 5002Z04 LT | ZSI18KQE-TFP | 6 | 25.28 | 69 | 2x500 | 7932 | 6 | 1~220 | 580 | 2.60 | 59 | 1/2" | 7/8" | 105 | 15.80 | 8 |
| HUA 5002Z04 LT | ZSI21KQE-TFP | 7 | 25.28 | 69 | 2x500 | 7932 | 6 | 1~220 | 580 | 2.60 | 59 | 1/2" | 7/8" | 105 | 17.20 | 8 |

The noise levels refer to the average value recored during 24h of daily functioning with fan motors controlled speed, standard housing sound absorption and compressor jacket (optional items). Alternative conditions may produce different results. /

Los niveles de ruido se refieren al valor promedio registrado durante 24 horas de funcionamiento con ventiladores, velocidad controlada, absorción de sonido con gabinete estándar y chaqueta para compresor (ítems opcionales). Las condiciones alternativas pueden producir diferentes resultados.

Refrigeration capacity/ Capacidad de refrigeración

| LBP R404A | Compressor/ Compresor | | Performance/ Rendimiento (kW) | | | | |
|-----------------|--------------------------|-----|---|-------|-------|-------|------|
| | Model/ Modelo | HP | Evaporating Temperature/ Temperatura de evaporación (°C) | | | | |
| -10°C | | | -15°C | -20°C | -25°C | -30°C | |
| HUA 4501Z04 LS | ZSI06KQE-PFS | 2 | 3.31 | 2.73 | 2.24 | 1.82 | 1.47 |
| HUA 4501Z04 LT | ZSI06KQE-TFP | 2 | 3.18 | 2.60 | 2.11 | 1.69 | 1.33 |
| HUA 4501Z03P LS | ZSI08KQE-PFS | 2.5 | 3.39 | 3.25 | 2.66 | 2.15 | 1.72 |
| HUA 4501Z03P LT | ZSI08KQE-TFP | 2.5 | 3.85 | 3.17 | 2.59 | 2.11 | 1.71 |
| HUA 5001Z03 LT | ZSI09KQE-TFP | 3 | 4.29 | 3.55 | 2.90 | 2.32 | 1.80 |
| HUA 5001Z04 LT | ZSI11KQE-TFP | 3.5 | 5.54 | 4.61 | 3.82 | 3.10 | 2.42 |
| HUA 5001Z04 LT | ZSI14KQE-TFP | 4 | 7.02 | 5.79 | 4.73 | 3.83 | 3.07 |
| HUA 5002Z03 LT | ZSI15KQE-TFP | 5 | 7.93 | 6.64 | 5.52 | 4.51 | 3.54 |
| HUA 5002Z04 LT | ZSI18KQE-TFP | 6 | 9.63 | 8.01 | 6.62 | 5.41 | 4.38 |
| HUA 5002Z04 LT | ZSI21KQE-TFP | 7 | 10.78 | 8.97 | 7.39 | 6.05 | 4.91 |

Test condition: Ambient temperature: 35°C, Condensing temperature: 50°C /
Condiciones de prueba: temperatura ambiente: 35°C, temperatura de condensación: 50°C

HUA CONDENSING UNIT

UNIDAD CONDENSADORA HUA



Electric data/ Datos eléctricos

| HMBP R404A | Compressor/ Compresor | | Condenser/ Condensador | | Axial fan motor/ Ventilador de motor axial | | | | | | Noise/ ruido | Pipe Fittings/ Tuberías | | N.W | MOC | Liquid Receiver Volume | |
|-----------------|--------------------------|------|-----------------------------------|------------------------|---|------|-------|---------------------------------|--------------------------|------|-----------------|----------------------------|------|-----|-------|---------------------------|---|
| | Model/ Modelo | HP | Capacity/ Capacidad Δ T=15K | Surface/ Superficie | N°xø | m³/h | Poles | Voltage/ Voltaje (V/50Hz) | Absorption/ Absorción | | | *Dist =10m | D | | | | S |
| | | | | | | | | | W | A | | | | | | | |
| HUA 4001Z02 MS | CAJ9510Z | 0.75 | 4.19 | 8 | 1x400 | 2307 | 6 | 1~220 | 125 | 0.62 | 51 | 3/8" | 5/8" | 51 | 8.62 | 1 | |
| HUA 4001Z03 MT | CAJ9513Z | 1 | 5.17 | 11 | 1x400 | 2036 | 6 | 1~220 | 125 | 0.62 | 51 | 3/8" | 5/8" | 53 | 10.72 | 2 | |
| HUA 4501Z03 MT | TAJ4519Z | 1.5 | 7.45 | 15 | 1x450 | 3062 | 6 | 1~220 | 260 | 1.20 | 50 | 3/8" | 5/8" | 55 | 6 | 2 | |
| HUA 4501Z04 MS | FH4524Z | 2 | 8.23 | 20 | 1x450 | 2706 | 6 | 1~220 | 260 | 1.20 | 55 | 3/8" | 5/8" | 70 | 19.3 | 4 | |
| HUA 4501Z04 MT | TFH4524Z | 2 | 8.23 | 20 | 1x450 | 2706 | 6 | 1~220 | 260 | 1.20 | 54 | 3/8" | 5/8" | 70 | 7.5 | 4 | |
| HUA 4501Z03P MS | FH4531Z | 2.5 | 11.01 | 27 | 1x450 | 3981 | 6 | 1~220 | 260 | 1.20 | 54 | 3/8" | 7/8" | 81 | 27.5 | 4 | |
| HUA 4501Z03P MT | TFH4531Z | 2.5 | 11.01 | 27 | 1x450 | 3981 | 6 | 1~220 | 260 | 1.20 | 56 | 3/8" | 7/8" | 81 | 9.4 | 4 | |
| HUA 5001Z03 MS | FH4540Z | 3 | 12.38 | 31 | 1x500 | 4475 | 6 | 1~220 | 290 | 1.30 | 59 | 1/2" | 7/8" | 85 | 28.3 | 4 | |
| HUA 5001Z03 MT | TFH4540Z | 3 | 12.38 | 31 | 1x500 | 4475 | 6 | 1~220 | 290 | 1.30 | 59 | 1/2" | 7/8" | 85 | 10.5 | 4 | |
| HUA 5001Z04 MT | TAG4546Z | 4 | 13.99 | 41 | 1x500 | 4232 | 6 | 1~220 | 290 | 1.30 | 63 | 1/2" | 7/8" | 96 | 12.7 | 6 | |
| HUA 5002Z03 MT | TAG4561Z | 5 | 22.03 | 51 | 2x500 | 8489 | 6 | 1~220 | 580 | 2.60 | 64 | 1/2" | 7/8" | 117 | 16.6 | 6 | |
| HUA 5002Z04 MT | TAG4568Z | 6 | 25.28 | 69 | 2x500 | 7932 | 6 | 1~220 | 580 | 2.60 | 64 | 1/2" | 7/8" | 120 | 17.8 | 8 | |
| HUA 5002Z04 MT | TAG4573Z | 7 | 25.28 | 69 | 2x500 | 7932 | 6 | 1~220 | 580 | 2.60 | 63 | 1/2" | 7/8" | 121 | 20.6 | 8 | |

The noise levels refer to the average value recored during 24h of daily functioning with fan motors controlled speed, standard housing sound absorption and compressor jacket (optional items). Alternative conditions may produce different results. /

Los niveles de ruido se refieren al valor promedio registrado durante 24 horas de funcionamiento con ventiladores, velocidad controlada, absorción de sonido con gabinete estándar y chaqueta para compresor (ítems opcionales). Las condiciones alternativas pueden producir diferentes resultados.

Refrigeration capacity/ Capacidad de refrigeración

| HMBP R404A | Compressor/ Compresor | | Performance/ Rendimiento (kW) | | | | |
|-----------------|--------------------------|------|---|-------|------|-------|-------|
| | Model/ Modelo | HP | Evaporating Temperature/ Temperatura de evaporación (°C) | | | | |
| | | | +5°C | 0°C | -5°C | -10°C | -15°C |
| HUA 4001Z02 MS | CAJ9510Z | 0.75 | 2.10 | 1.69 | 1.34 | 1.05 | 0.80 |
| HUA 4001Z03 MT | TAJ9513Z | 1 | 2.62 | 2.08 | 1.62 | 1.24 | 0.92 |
| HUA 4501Z03 MT | TAJ4519Z | 1.5 | 3.81 | 3.07 | 2.44 | 1.91 | 1.45 |
| HUA 4501Z04 MS | FH4524Z | 2 | 5.22 | 4.25 | 3.40 | 2.64 | 1.96 |
| HUA 4501Z04 MT | TFH4524Z | 2 | 4.70 | 3.70 | 2.86 | 2.13 | 1.52 |
| HUA 4501Z03P MS | FH4531Z | 2.5 | 6.03 | 4.83 | 3.77 | 2.81 | 1.91 |
| HUA 4501Z03P MT | TFH4531Z | 2.5 | 5.95 | 4.72 | 3.68 | 2.80 | 2.04 |
| HUA 5001Z03 MS | FH4540Z | 3 | 7.47 | 5.99 | 4.71 | 3.62 | 2.69 |
| HUA 5001Z03 MT | TFH4540Z | 3 | 7.58 | 6.06 | 4.77 | 3.68 | 2.73 |
| HUA 5001Z04 MT | TAG4546Z | 4 | 8.86 | 6.81 | 5.13 | 3.75 | 2.63 |
| HUA 5002Z03 MT | TAG4561Z | 5 | 11.03 | 8.62 | 6.62 | 4.95 | 3.56 |
| HUA 5002Z04 MT | TAG4568Z | 6 | 12.95 | 10.21 | 7.92 | 6.00 | 4.40 |
| HUA 5002Z04 MT | TAG4573Z | 7 | 13.80 | 10.88 | 8.47 | 6.46 | 4.80 |

Test condition: Ambient temperature: 35°C, Condensing temperature: 50°C /
Condiciones de prueba: temperatura ambiente: 35°C, temperatura de condensación: 50°C

HUA CONDENSING UNIT

UNIDAD CONDENSADORA HUA



Electric data/ Datos eléctricos

| LBP R404A | Compressor/ Compresor | | Condenser/ Condensador | | Axial fan motor/ Ventilador de motor axial | | | | | | Noise/ ruido | Pipe Fittings/ Tuberías | | N.W | MOC | Liquid Receiver Volume | |
|----------------|--------------------------|-----|-----------------------------------|------------------------|---|------|-------|---------------------------------|--------------------------|------|-----------------|----------------------------|------|-----|-------|---------------------------|---|
| | Model/ Modelo | HP | Capacity/ Capacidad Δ T=15K | Surface/ Superficie | N°xø | m³/h | Poles | Voltage/ Voltaje (V/50Hz) | Absorption/ Absorción | | | *Dist =10m | D | | | | S |
| | | | | | | | | | W | A | | | | | | | |
| HUA 4001Z03 LS | CAJ2446Z | 1 | 5.17 | 11 | 1x450 | 2036 | 6 | 1~220 | 125 | 0.62 | 50 | 3/8" | 1/2" | 50 | 8.52 | 2 | |
| HUA 4501Z03 LT | TAJ2464Z | 1.5 | 7.45 | 15 | 1x450 | 3062 | 6 | 1~220 | 260 | 1.20 | 53 | 3/8" | 5/8" | 51 | 4.5 | 2 | |
| HUA 4501Z04 LS | FH2480Z | 2 | 8.23 | 20 | 1x450 | 2706 | 6 | 1~220 | 260 | 1.20 | 55 | 3/8" | 5/8" | 68 | 17.2 | 4 | |
| HUA 4501Z04 LT | TFH2480Z | 2 | 8.23 | 20 | 1x450 | 2706 | 6 | 1~220 | 260 | 1.20 | 53 | 3/8" | 5/8" | 68 | 6 | 4 | |
| HUA 5001Z03 LS | FH2511Z | 3 | 12.38 | 31 | 1x500 | 4475 | 6 | 1~220 | 290 | 1.30 | 55 | 1/2" | 5/8" | 84 | 25.3 | 4 | |
| HUA 5001Z03 LT | TFH2511Z | 3 | 12.38 | 31 | 1x500 | 4475 | 6 | 1~220 | 290 | 1.30 | 58 | 1/2" | 5/8" | 84 | 6.3 | 4 | |
| HUA 5001Z04 LT | TAG2516Z | 4 | 13.99 | 41 | 1x500 | 4232 | 6 | 1~220 | 290 | 1.30 | 55 | 1/2" | 7/8" | 116 | 11.11 | 6 | |
| HUA 5002Z04 LT | TAG2522Z | 6 | 25.28 | 69 | 2x500 | 7932 | 6 | 1~220 | 580 | 2.60 | 58 | 1/2" | 7/8" | 120 | 15.1 | 8 | |
| HUA 5002Z04 LT | TAG2525Z | 6.5 | 25.28 | 69 | 2x500 | 7932 | 6 | 1~220 | 580 | 2.60 | 64 | 1/2" | 7/8" | 125 | 15.9 | 8 | |

The noise levels refer to the average value recored during 24h of daily functioning with fan motors controlled speed, standard housing sound absorption and compressor jacket (optional items). Alternative conditions may produce different results. /

Los niveles de ruido se refieren al valor promedio registrado durante 24 horas de funcionamiento con ventiladores, velocidad controlada, absorción de sonido con gabinete estándar y chaqueta para compresor (ítems opcionales). Las condiciones alternativas pueden producir diferentes resultados.

Refrigeration capacity/ Capacidad de refrigeración

| LBP R404A | Compressor/ Compresor | | Performance/ Rendimiento (kW) | | | | |
|----------------|--------------------------|-----|---|-------|-------|-------|-------|
| | Model/ Modelo | HP | Evaporating Temperature/ Temperatura de evaporación (°C) | | | | |
| | | | -10°C | -15°C | -20°C | -25°C | -30°C |
| HUA 4001Z03 LS | CAJ2446Z | 1 | 1.45 | 1.13 | 0.86 | 0.64 | 0.45 |
| HUA 4501Z03 LT | TAJ2464Z | 1.5 | 1.86 | 1.45 | 1.10 | 0.82 | 0.60 |
| HUA 4501Z04 LS | FH2480Z | 2 | 2.82 | 2.17 | 1.63 | 1.18 | 0.79 |
| HUA 4501Z04 LT | TFH2480Z | 2 | 2.70 | 2.11 | 1.61 | 1.18 | 0.81 |
| HUA 5001Z03 LS | FH2511Z | 3 | 3.90 | 3.00 | 2.24 | 1.61 | 1.10 |
| HUA 5001Z03 LT | TFH2511Z | 3 | 3.90 | 2.97 | 2.20 | 1.59 | 1.09 |
| HUA 5001Z04 LT | TAG2516Z | 4 | 5.67 | 4.32 | 3.21 | 2.30 | 1.59 |
| HUA 5002Z04 LT | TAG2522Z | 6 | 6.98 | 5.29 | 3.92 | 2.83 | 1.95 |
| HUA 5002Z04 LT | TAG2525Z | 6.5 | 7.48 | 5.75 | 4.33 | 3.16 | 2.20 |

Test condition: Ambient temperature: 35°C, Condensing temperature: 50°C /
Condiciones de prueba: temperatura ambiente: 35°C, temperatura de condensación: 50°C

HUA CONDENSING UNIT

UNIDAD CONDENSADORA HUA

Electric data/ Datos eléctricos



| HMBP R404A | Compressor/ Compresor | | Condenser/ Condensador | | Axial fan motor/ Ventilador de motor axial | | | | | | Noise/ ruido | Pipe Fittings/ Tuberías | | N.W | MOC | Liquid Receiver Volume | | | | | | | | | | |
|-----------------|--------------------------|-----|---------------------------|-----|---|------|---|-------|-----|-----|-----------------|----------------------------|--------|-----|-------|---------------------------|-----------------------------------|------------------------|------|------|-------|---------------------------------|--------------------------|---|---|---|
| | | | | | | | | | | | | Model/ Modelo | HP | | | | Capacity/ Capacidad Δ T=15K | Surface/ Superficie | N°xø | m³/h | Poles | Voltage/ Voltaje (V/50Hz) | Absorption/ Absorción | | D | S |
| | | | | | | | | | | | | | | | | | | | | | | | W | A | | |
| HUA 4501Z04 MS | YM34E2G-100 | 2 | 8.23 | 20 | 1x450 | 2706 | 6 | 1~220 | 260 | 1.2 | 49 | 3/8" | 7/8" | 63 | 17.40 | 4 | | | | | | | | | | |
| HUA 4501Z04 MT | YM34E1G-100 | 2 | 8.23 | 20 | 1x450 | 2706 | 6 | 1~220 | 260 | 1.2 | 49 | 3/8" | 7/8" | 63 | 6.40 | 4 | | | | | | | | | | |
| HUA 4501Z03P MS | YM43E2G-100 | 2.5 | 11.01 | 27 | 1x450 | 3981 | 6 | 1~220 | 260 | 1.2 | 49 | 3/8" | 7/8" | 76 | 18.40 | 4 | | | | | | | | | | |
| HUA 4501Z03P MT | YM43E1G-100 | 2.5 | 11.01 | 27 | 1x450 | 3981 | 6 | 1~220 | 260 | 1.2 | 49 | 3/8" | 7/8" | 76 | 7.80 | 4 | | | | | | | | | | |
| HUA 5001Z03 MS | YM49E2G-100 | 3 | 12.38 | 31 | 1x500 | 4475 | 6 | 1~220 | 290 | 1.3 | 49 | 1/2" | 7/8" | 78 | 20.30 | 4 | | | | | | | | | | |
| HUA 5001Z03 MT | YM49E1G-100 | 3 | 12.38 | 31 | 1x500 | 4475 | 6 | 1~220 | 290 | 1.3 | 49 | 1/2" | 7/8" | 78 | 10.30 | 4 | | | | | | | | | | |
| HUA 5001Z04 MT | YM70E1G-100 | 4 | 13.99 | 41 | 1x500 | 4232 | 6 | 1~220 | 290 | 1.3 | 49 | 1/2" | 7/8" | 90 | 11.30 | 6 | | | | | | | | | | |
| HUA 5002Z03 MT | YM86E1G-100 | 5 | 22.03 | 51 | 2x500 | 8489 | 6 | 1~220 | 580 | 2.6 | 52 | 1/2" | 7/8" | 92 | 15.40 | 6 | | | | | | | | | | |
| HUA 5002Z04 MT | YM102E1G-100 | 6 | 25.28 | 69 | 2x500 | 7932 | 6 | 1~220 | 580 | 2.6 | 52 | 1/2" | 7/8" | 96 | 17.10 | 8 | | | | | | | | | | |
| HUA 5002Z04 MT | YM125E1G-100 | 7 | 25.28 | 69 | 2x500 | 7932 | 6 | 1~220 | 580 | 2.6 | 52 | 5/8" | 1 1/8" | 97 | 20.10 | 8 | | | | | | | | | | |
| HUA 5002Z04P MT | YM132E1G-100 | 8 | 29.07 | 88 | 2x500 | 8659 | 6 | 1~220 | 580 | 2.6 | 54 | 5/8" | 1 1/8" | 121 | 21.00 | 10 | | | | | | | | | | |
| HUA 5002Z05P MT | YM182E1G-100 | 10 | 30.92 | 110 | 2x500 | 8259 | 6 | 1~220 | 580 | 2.6 | 53 | 5/8" | 1 1/8" | 130 | 26.20 | 10 | | | | | | | | | | |

The noise levels refer to the average value recored during 24h of daily functioning with fan motors controlled speed, standard housing sound absorption and compressor jacket (optional items). Alternative conditions may produce different results. /

Los niveles de ruido se refieren al valor promedio registrado durante 24 horas de funcionamiento con ventiladores, velocidad controlada, absorción de sonido con gabinete estándar y chaqueta para compresor (ítems opcionales). Las condiciones alternativas pueden producir diferentes resultados.

Refrigeration capacity/ Capacidad de refrigeración

| HMBP R404A | Compressor/ Compresor | | Performance/ Rendimiento (kW) | | | | | |
|-----------------|--------------------------|-----|---|-------|-------|-------|-------|-------|
| | | | Evaporating Temperature/ Temperatura de evaporación (°C) | | | | | |
| | | | +5°C | 0°C | -5°C | -10°C | -15°C | -20°C |
| HUA 4501Z04 MS | YM34E2G-100 | 2 | 5.48 | 4.64 | 3.91 | 3.28 | 2.73 | 2.25 |
| HUA 4501Z04 MT | YM34E1G-100 | 2 | 5.48 | 4.64 | 3.91 | 3.28 | 2.73 | 2.25 |
| HUA 4501Z03P MS | YM43E2G-100 | 2.5 | 6.55 | 5.54 | 4.67 | 3.92 | 3.26 | 2.69 |
| HUA 4501Z03P MT | YM43E1G-100 | 2.5 | 6.55 | 5.54 | 4.67 | 3.92 | 3.26 | 2.69 |
| HUA 5001Z03 MS | YM49E2G-100 | 3 | 7.46 | 6.32 | 5.32 | 4.46 | 3.72 | 3.07 |
| HUA 5001Z03 MT | YM49E1G-100 | 3 | 7.46 | 6.32 | 5.32 | 4.46 | 3.72 | 3.07 |
| HUA 5001Z04 MT | YM70E1G-100 | 4 | 10.66 | 9.02 | 7.60 | 6.38 | 5.31 | 4.38 |
| HUA 5002Z03 MT | YM86E1G-100 | 5 | 13.10 | 11.09 | 9.34 | 7.83 | 6.53 | 5.38 |
| HUA 5002Z04 MT | YM102E1G-100 | 6 | 15.54 | 13.15 | 11.08 | 9.29 | 7.74 | 6.39 |
| HUA 5002Z04 MT | YM125E1G-100 | 7 | 19.04 | 16.11 | 13.58 | 11.39 | 9.49 | 7.83 |
| HUA 5002Z04P MT | YM132E1G-100 | 8 | 20.11 | 17.02 | 14.34 | 12.02 | 10.02 | 8.26 |
| HUA 5002Z05P MT | YM182E1G-100 | 10 | 27.72 | 23.46 | 19.77 | 16.58 | 13.81 | 11.40 |

Test condition: Ambient temperature: 35°C, Condensing temperature: 50°C /

Condiciones de prueba: temperatura ambiente: 35°C, temperatura de condensación: 50°C

HUA CONDENSING UNIT

UNIDAD CONDENSADORA HUA

Electric data/ Datos eléctricos



| LBP R404A | Compressor/ Compresor | | Condenser/ Condensador | | Axial fan motor/ Ventilador de motor axial | | | | | | Noise/ ruido | Pipe Fittings/ Tuberías | | N.W | MOC | Liquid Receiver Volume | | | | | | | | | | |
|-----------------|--------------------------|-----|---------------------------|----|---|------|---|-------|-----|-----|-----------------|----------------------------|------|-----|-------|---------------------------|-----------------------------------|------------------------|------|------|-------|---------------------------------|--------------------------|---|---|---|
| | | | | | | | | | | | | Model/ Modelo | HP | | | | Capacity/ Capacidad Δ T=15K | Surface/ Superficie | N°xø | m³/h | Poles | Voltage/ Voltaje (V/50Hz) | Absorption/ Absorción | | D | S |
| | | | | | | | | | | | | | | | | | | | | | | | W | A | | |
| HUA 4501Z04 LS | YF13E2G-Q100 | 2 | 8.23 | 20 | 1x450 | 2706 | 6 | 1~220 | 260 | 1.2 | 53 | 3/8" | 7/8" | 63 | 14.74 | 4 | | | | | | | | | | |
| HUA 4501Z04 LT | YF13E1G-Q100 | 2 | 8.23 | 20 | 1x450 | 2706 | 6 | 1~220 | 260 | 1.2 | 52 | 3/8" | 7/8" | 63 | 5.34 | 4 | | | | | | | | | | |
| HUA 4501Z03P LS | YF17E2G-Q100 | 2.5 | 11.01 | 27 | 1x450 | 3981 | 6 | 1~220 | 260 | 1.2 | 52 | 3/8" | 7/8" | 76 | 15.54 | 4 | | | | | | | | | | |
| HUA 4501Z03P LT | YF17E1G-Q100 | 2.5 | 11.01 | 27 | 1x450 | 3981 | 6 | 1~220 | 260 | 1.2 | 52 | 3/8" | 7/8" | 76 | 6.54 | 4 | | | | | | | | | | |
| HUA 4501Z03P LS | YF20E2G-Q100 | 3 | 11.01 | 27 | 1x450 | 3981 | 6 | 1~220 | 260 | 1.2 | 52 | 1/2" | 7/8" | 78 | 17.40 | 4 | | | | | | | | | | |
| HUA 4501Z03P LT | YF20E1G-Q100 | 3 | 11.01 | 27 | 1x450 | 3981 | 6 | 1~220 | 260 | 1.2 | 52 | 1/2" | 7/8" | 78 | 7.00 | 4 | | | | | | | | | | |
| HUA 5001Z05 LT | YF29E1G-Q100 | 4 | 14.85 | 51 | 1x500 | 4027 | 6 | 1~220 | 290 | 1.3 | 57 | 1/2" | 7/8" | 90 | 10.10 | 6 | | | | | | | | | | |
| HUA 5002Z02 LT | YF35E1G-Q100 | 5 | 17.76 | 34 | 2x500 | 9143 | 6 | 1~220 | 580 | 2.6 | 58 | 1/2" | 7/8" | 92 | 12.90 | 6 | | | | | | | | | | |
| HUA 5002Z04 LT | YF41E1G-Q100 | 6 | 25.28 | 69 | 2x500 | 7932 | 6 | 1~220 | 580 | 2.6 | 59 | 1/2" | 7/8" | 96 | 14.70 | 8 | | | | | | | | | | |

The noise levels refer to the average value recored during 24h of daily functioning with fan motors controlled speed, standard housing sound absorption and compressor jacket (optional items). Alternative conditions may produce different results. /

Los niveles de ruido se refieren al valor promedio registrado durante 24 horas de funcionamiento con ventiladores, velocidad controlada, absorción de sonido con gabinete estándar y chaqueta para compresor (ítems opcionales). Las condiciones alternativas pueden producir diferentes resultados.

Refrigeration capacity/ Capacidad de refrigeración

| LBP R404A | Compressor/ Compresor | | Performance/ Rendimiento (kW) | | | | |
|-----------------|--------------------------|-----|---|-------|-------|-------|-------|
| | | | Evaporating Temperature/ Temperatura de evaporación (°C) | | | | |
| | | | -10°C | -15°C | -20°C | -25°C | -30°C |
| HUA 4501Z04 LS | YF13E2G-Q102 | 2 | 2.94 | 2.45 | 2.02 | 1.66 | 1.34 |
| HUA 4501Z04 LT | YF13E1G-Q102 | 2 | 2.94 | 2.45 | 2.02 | 1.66 | 1.34 |
| HUA 4501Z03P LS | YF17E2G-Q102 | 2.5 | 3.75 | 3.13 | 2.58 | 2.12 | 1.72 |
| HUA 4501Z03P LT | YF17E1G-Q102 | 2.5 | 3.75 | 3.13 | 2.58 | 2.12 | 1.72 |
| HUA 5001Z03 LS | YF20E2G-Q102 | 3 | 4.41 | 3.67 | 3.04 | 2.48 | 2.02 |
| HUA 5001Z03 LT | YF20E1G-Q102 | 3 | 4.41 | 3.67 | 3.04 | 2.48 | 2.02 |
| HUA 5001Z04 LT | YF29E1G-Q102 | 4 | 6.67 | 5.56 | 4.59 | 3.76 | 3.05 |
| HUA 5002Z03 LT | YF35E1G-Q102 | 5 | 7.91 | 6.60 | 5.45 | 4.46 | 3.62 |
| HUA 5002Z04 LT | YF41E1G-Q102 | 6 | 9.27 | 7.73 | 6.38 | 5.22 | 4.24 |

Test condition: Ambient temperature: 35°C, Condensing temperature: 50°C /

Condiciones de prueba: temperatura ambiente: 35°C, temperatura de condensación: 50°C



Electric data/ Datos eléctricos

| HMBP R404A | Compressor/ Compresor | | Condenser/ Condensador | | Axial fan motor/ Ventilador de motor axial | | | | | | Pipe Fittings/ Tuberías | | N.W | MOC | Liquid Receiver Volume | |
|----------------|--------------------------|----|-----------------------------------|------------------------|---|------|-------|---------------------------------|--------------------------|-----|----------------------------|------|------|-----|---------------------------|------|
| | Model/ Modelo | HP | Capacity/ Capacidad Δ T=15K | Surface/ Superficie | N°xø | m³/h | Poles | Voltage/ Voltaje (V/50Hz) | Absorption/ Absorción | | *Dist =10m | D | | | | S |
| | | | kW | M² | | | | | W | A | | Inch | | | | Inch |
| HUA 4502Z02 MT | YIM38E1G-100 | 3 | 16.78 | 34 | 2x450 | 8312 | 6 | 1~220 | 520 | 2.4 | 53 | 3/8" | 7/8" | 85 | 15.7 | 4 |
| HUA 4502Z02 MT | YIM42E1G-100 | 4 | 16.78 | 34 | 2x450 | 8312 | 6 | 1~220 | 520 | 2.4 | 53 | 3/8" | 7/8" | 85 | 15.7 | 6 |
| HUA 5002Z02 MT | YIM50E1G-100 | 5 | 17.76 | 34 | 2x500 | 9143 | 6 | 1~220 | 580 | 2.6 | 53 | 1/2" | 7/8" | 88 | 15.9 | 6 |
| HUA 5002Z03 MT | YIM60E1G-100 | 6 | 22.03 | 51 | 2x500 | 8489 | 6 | 1~220 | 580 | 2.6 | 53 | 1/2" | 7/8" | 92 | 15.9 | 8 |
| HUA 5002Z04 MT | YIM72E1G-100 | 7 | 25.28 | 69 | 2x500 | 7932 | 6 | 1~220 | 580 | 2.6 | 53 | 1/2" | 7/8" | 96 | 18.6 | 8 |

The noise levels refer to the average value recored during 24h of daily functioning with fan motors controlled speed, standard housing sound absorption and compressor jacket (optional items). Alternative conditions may produce different results. /
Los niveles de ruido se refieren al valor promedio registrado durante 24 horas de funcionamiento con ventiladores, velocidad controlada, absorción de sonido con gabinete estándar y chaqueta para compresor (items opcionales). Las condiciones alternativas pueden producir diferentes resultados.

Refrigeration capacity/ Capacidad de refrigeración

| HMBP R404A | Compressor/ Compresor | | Performance/ Rendimiento (kW) | | | | | |
|------------------|--------------------------|----|---|-------|-------|-------|-------|-------|
| | Model/ Modelo | HP | Evaporating Temperature/ Temperatura de evaporación (°C) | | | | | |
| Model/ Modelo | Model/ Modelo | HP | +5°C | 0°C | -5°C | -10°C | -15°C | -20°C |
| HUA 4502Z02 MT | YIM38E1G-100 | 3 | 8.99 | 7.71 | 6.57 | 5.55 | 4.57 | 3.60 |
| HUA 4502Z02 MT | YIM42E1G-100 | 4 | 9.94 | 8.52 | 7.27 | 6.13 | 5.05 | 3.98 |
| HUA 5002Z02 MT | YIM50E1G-100 | 5 | 11.83 | 10.14 | 8.65 | 7.30 | 6.02 | 4.74 |
| HUA 5002Z03 MT | YIM60E1G-100 | 6 | 14.20 | 12.17 | 10.38 | 8.76 | 7.22 | 5.69 |
| HUA 5002Z04 MT | YIM72E1G-100 | 7 | 17.04 | 14.60 | 12.46 | 10.51 | 8.66 | 6.83 |

Test condition: Ambient temperature: 35°C, Condensing temperature: 50°C /
Condiciones de prueba: temperatura ambiente: 35°C, temperatura de condensación: 50°C



Electric data/ Datos eléctricos

| LBP R404A | Compressor/ Compresor | | Condenser/ Condensador | | Axial fan motor/ Ventilador de motor axial | | | | | | Pipe Fittings/ Tuberías | | N.W | MOC | Liquid Receiver Volume | |
|----------------|--------------------------|----|-----------------------------------|------------------------|---|------|-------|---------------------------------|--------------------------|-----|----------------------------|------|------|-----|---------------------------|------|
| | Model/ Modelo | HP | Capacity/ Capacidad Δ T=15K | Surface/ Superficie | N°xø | m³/h | Poles | Voltage/ Voltaje (V/50Hz) | Absorption/ Absorción | | *Dist =10m | D | | | | S |
| | | | kW | M² | | | | | W | A | | Inch | | | | Inch |
| HUA 4502Z02 LT | YIF50E1G-Q100 | 5 | 16.78 | 34 | 2x450 | 8312 | 6 | 1~220 | 520 | 2.4 | 53 | 1/2" | 7/8" | 85 | 15.7 | 6 |
| HUA 5002Z03 LT | YIF60E1G-Q100 | 6 | 22.03 | 51 | 2x500 | 8489 | 6 | 1~220 | 520 | 2.4 | 53 | 1/2" | 7/8" | 85 | 15.7 | 8 |
| HUA 5002Z04 LT | YIF72E1G-Q100 | 7 | 25.28 | 69 | 2x500 | 7932 | 6 | 1~220 | 520 | 2.4 | 53 | 1/2" | 7/8" | 85 | 15.7 | 8 |

The noise levels refer to the average value recored during 24h of daily functioning with fan motors controlled speed, standard housing sound absorption and compressor jacket (optional items). Alternative conditions may produce different results. /
Los niveles de ruido se refieren al valor promedio registrado durante 24 horas de funcionamiento con ventiladores, velocidad controlada, absorción de sonido con gabinete estándar y chaqueta para compresor (items opcionales). Las condiciones alternativas pueden producir diferentes resultados.

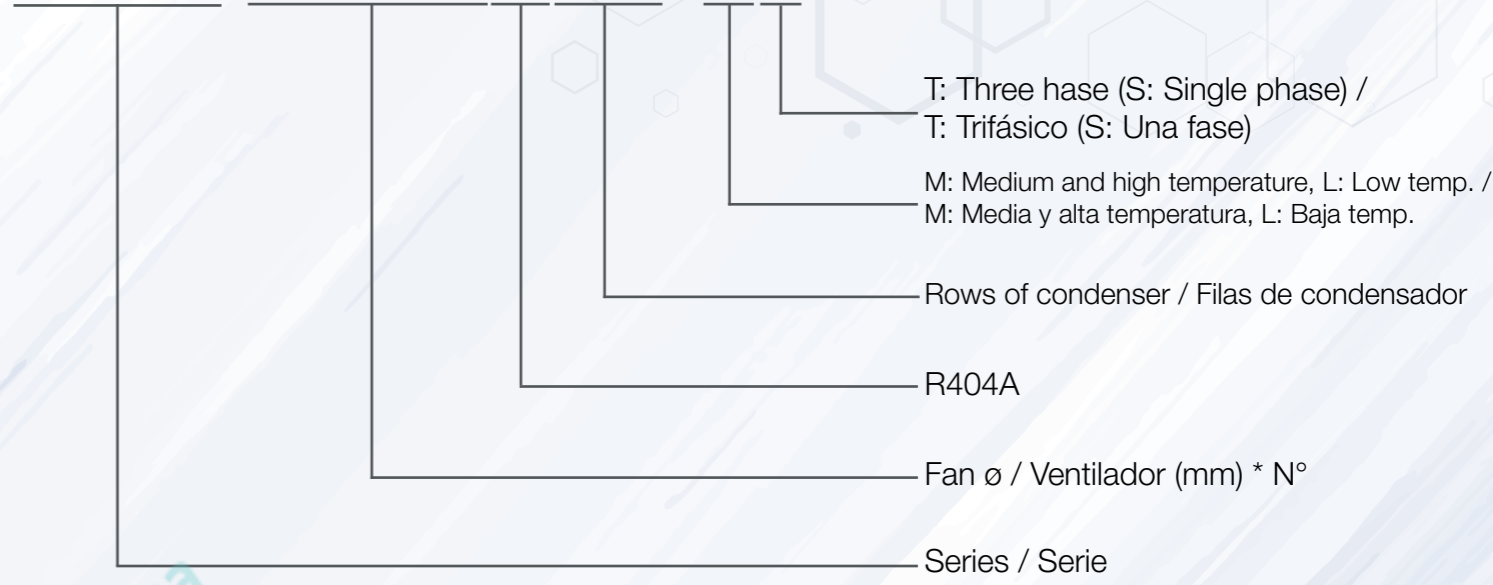
Refrigeration capacity/ Capacidad de refrigeración

| LBP R404A | Compressor/ Compresor | | Performance/ Rendimiento (kW) | | | | |
|------------------|--------------------------|----|---|-------|-------|-------|-------|
| | Model/ Modelo | HP | Evaporating Temperature/ Temperatura de evaporación (°C) | | | | |
| Model/ Modelo | Model/ Modelo | HP | -10°C | -15°C | -20°C | -25°C | -30°C |
| HUA 4502Z02 LT | YIF50E1G-Q100 | 5 | 7.31 | 6.10 | 5.04 | 4.12 | 3.34 |
| HUA 4502Z02 LT | YIF60E1G-Q100 | 6 | 8.77 | 7.32 | 6.04 | 4.94 | 4.01 |
| HUA 4502Z02 LT | YIF72E1G-Q100 | 7 | 10.53 | 8.78 | 7.25 | 5.93 | 4.81 |

Test condition: Ambient temperature: 35°C, Condensing temperature: 50°C /
Condiciones de prueba: temperatura ambiente: 35°C, temperatura de condensación: 50°C



HUB 4502Z04 LT



www.pholod.com.ua

Inner-Grooved Copper Tubing:
The inside surface of copper tubing is grooved with inner slots to enlarge the contact surface area—increasing heat efficiency exchange by 10-12%.

Blue Fin Coating:
On outdoor units, Blue Fin coating helps protect the parts from corrosion.

Supported to the casing by means of a “floating” system that avoids any kind of contact between the copper tubes and the supporting end plates, assuring a long life for the condenser without leaks.

Tubos de cobre con ranuras interiores:
La superficie interna de la tubería de cobre está ranurada con ranuras internas para aumentar el intercambio de eficiencia de calor del área de contacto de superficie en un 10-12%.

Revestimiento de aleta azul:
En las unidades exteriores, el revestimiento Blue Fin ayuda a proteger las piezas de la corrosión.

Soportado a la carcasa por medio de un sistema “flotante” que evita cualquier tipo de contacto entre los tubos de cobre y las placas extremas de soporte, asegurando una larga vida útil del condensador sin fugas.

HUB CONDENSING UNIT

UNIDAD CONDENSADORA HUB

General features:

The condensing unit HUB range is designed for commercial refrigeration at midium and low temperatures. Specially designed with tropical condenser made from high quality inner-grooved copper tubes ø9.52 mm, low noise operation, easy maintenance, finest components to guarantee final quality control. All condensing units are complied with directives 97/23/EC Pressure Equipment (P.E.D).

Accesorios:

- Powder coated Zinc plate highly anti-corrosion strength
- Tropical condenser coil with copper tube and aluminium fins
- Sound insulation
- Semi-hermetic reciprocating compressor
- Dural pressure switch with automatic reset
- Filter driers on liquid and suction lines
- Sight glass with moisture indicator
- Liquid receiver
- Safety relief valve
- Ball valves on liquid and suction lines
- Suction accumulator
- Oil separator
- Built in electric control pannel
- High pressure switch/ Fan speed controller based on condenser pressure
- Ziehl-Abegg or Maer axial fan motors
- Manometers
- Anti-vibration
- Different gas.

Características generales:

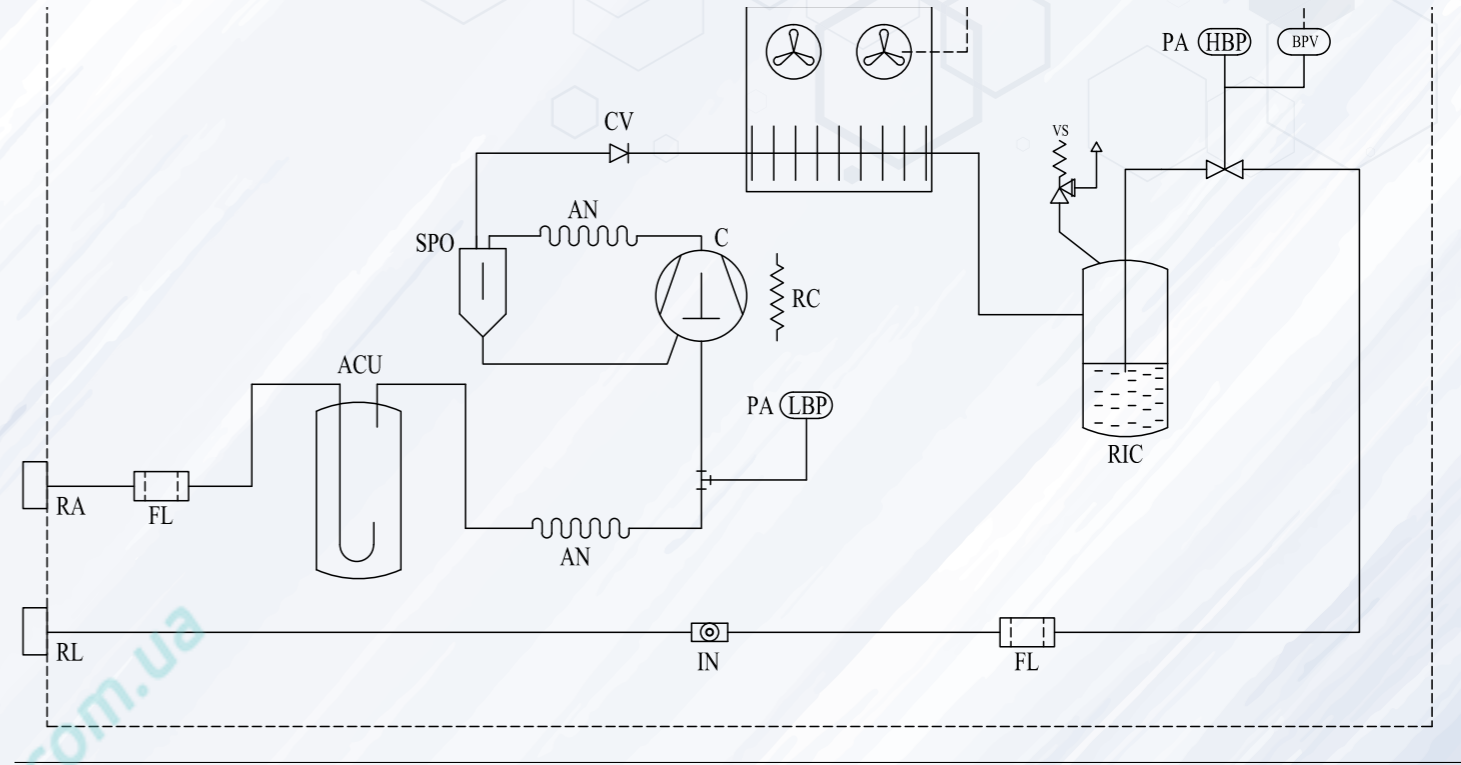
La unidad condensadora HUB está diseñada para la refrigeración comercial a media y baja temperatura. Especialmente diseñado con condensador tropical hecho de tubos de cobre con ranuras internas de alta calidad de ø9.52 mm, operaciones de bajo ruido, fácil mantenimiento, con los mejores componentes para garantizar el control de calidad final. Todas las unidades condensadoras cumplen con las directivas 97/23/EC Equipo de presión (P.E.D).

Accesorios:

- Paquete de aletas con tratamiento anti corrosión
- Condensador tropicalizado
- Unidad condensadora insonorizada
- Compresor Semi-hermético de pistones
- Doble presostato con rearme automatico
- Filtro secador en línea de succión y líquido
- Visor de líquido
- Recipiente de líquido
- Válvula de seguridad homologada
- Válvula de bola en línea de succión y líquido
- Separador de líquido
- Separador de aceite
- Panel eléctrico de control
- Alta presostato con rearme automatico/ Control de velocidad, según la condensación
- Ventilador axial Ziehl-Abegg o Maer
- Manómetros
- Anti vibración
- Diferente gas

HUB CONDENSING UNIT

UNIDAD CONDENSADORA HUB



Accesorios:

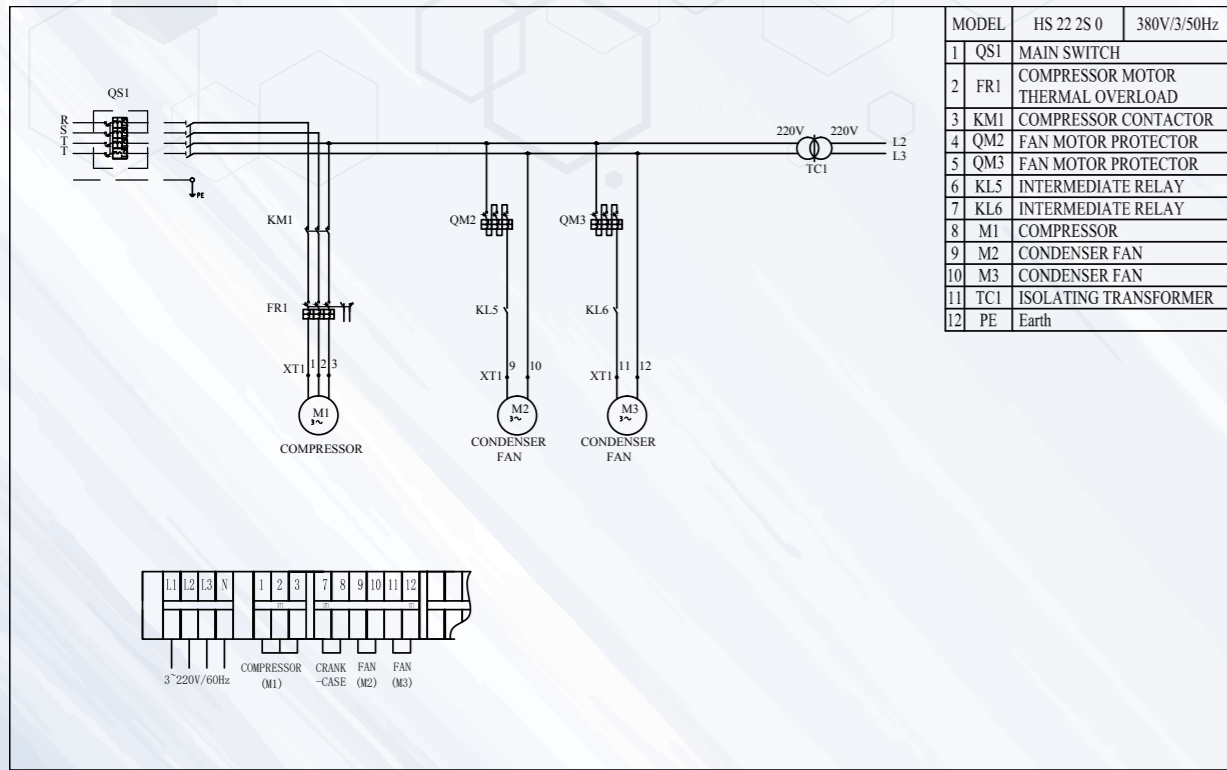
- CO -Tropical condenser coil with copper tube and aluminium fins
- C -Semi-hermetic reciprocating compressor
- PA -Dual pressure switch with automatic reset
- FL -Filter driers on liquid and suction lines
- IN -Sight glass with moisture indicator
- RIC -Liquid receiver
- VS -Safety relief valve
- RL/RA -Ball valves on liquid and suction lines
- ACU -Suction accumulator
- SPO -Oil separator
- BPV -High pressure switch
- / Fan speed controller based on condenser pressure
- RC -Crankcase heater
- AN -Anti-vibration

Accesorios:

- CO -Condensador tropicalizado
- C -Compresor Semi-hermético de pistones
- PA -Doble presostato con rearme automatico
- FL -Filtro secador en línea de succión y líquido
- IN -Visor de líquido
- RIC -Recipiente de líquido
- VS -Válvula de seguridad homologada
- RL/RA -Válvula de bola en línea de succión y líquido
- ACU -Separador de líquido
- SPO -Separador de aceite
- BPV -Alta presostato con rearme automatico
- / Control de velocidad, según la condensación
- RC -Resistencia de carter
- AN -Anti vibración

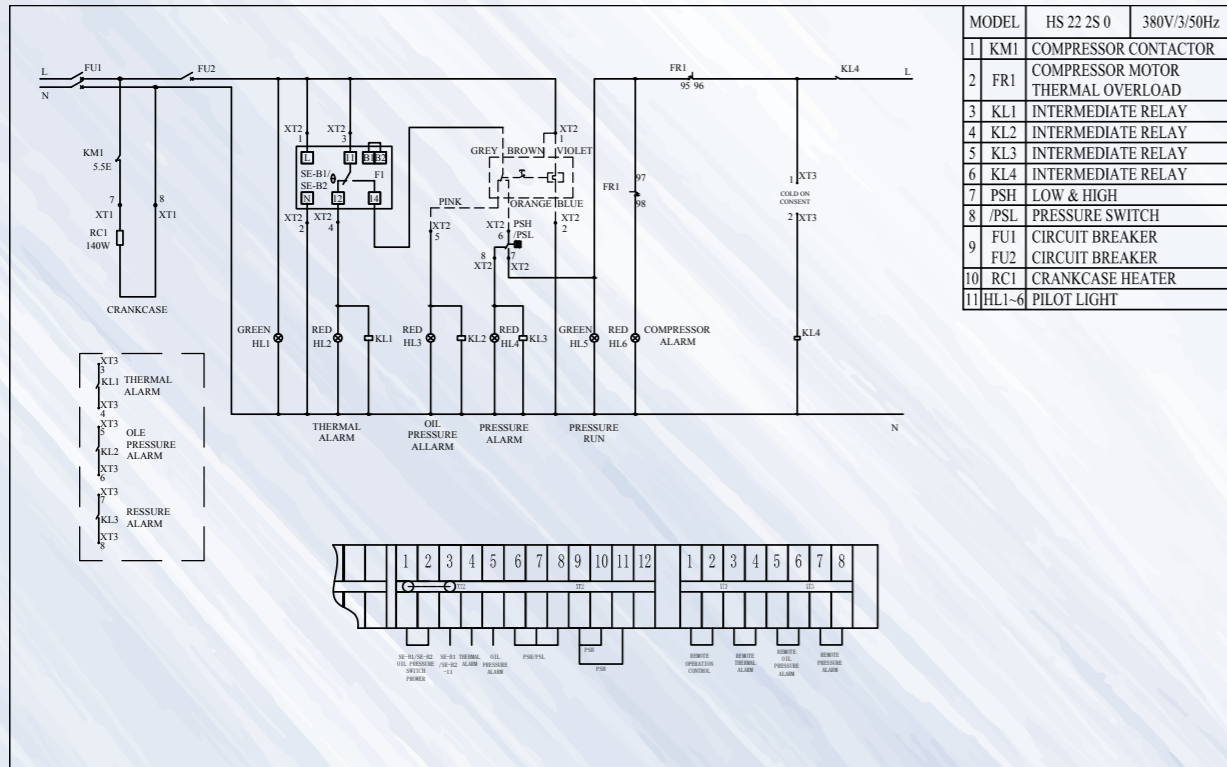
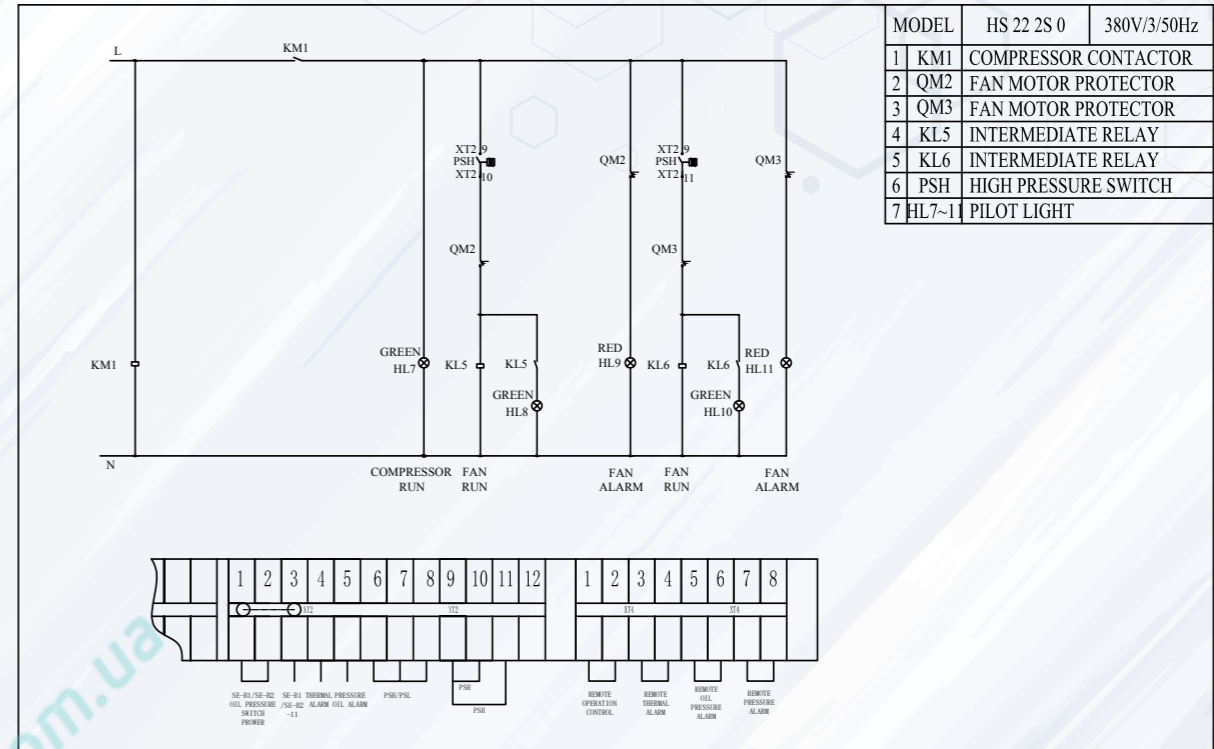
HUB CONDENSING UNIT
UNIDAD CONDENSADORA HUB

Circuit diagram:/ Diagrama de circuito:



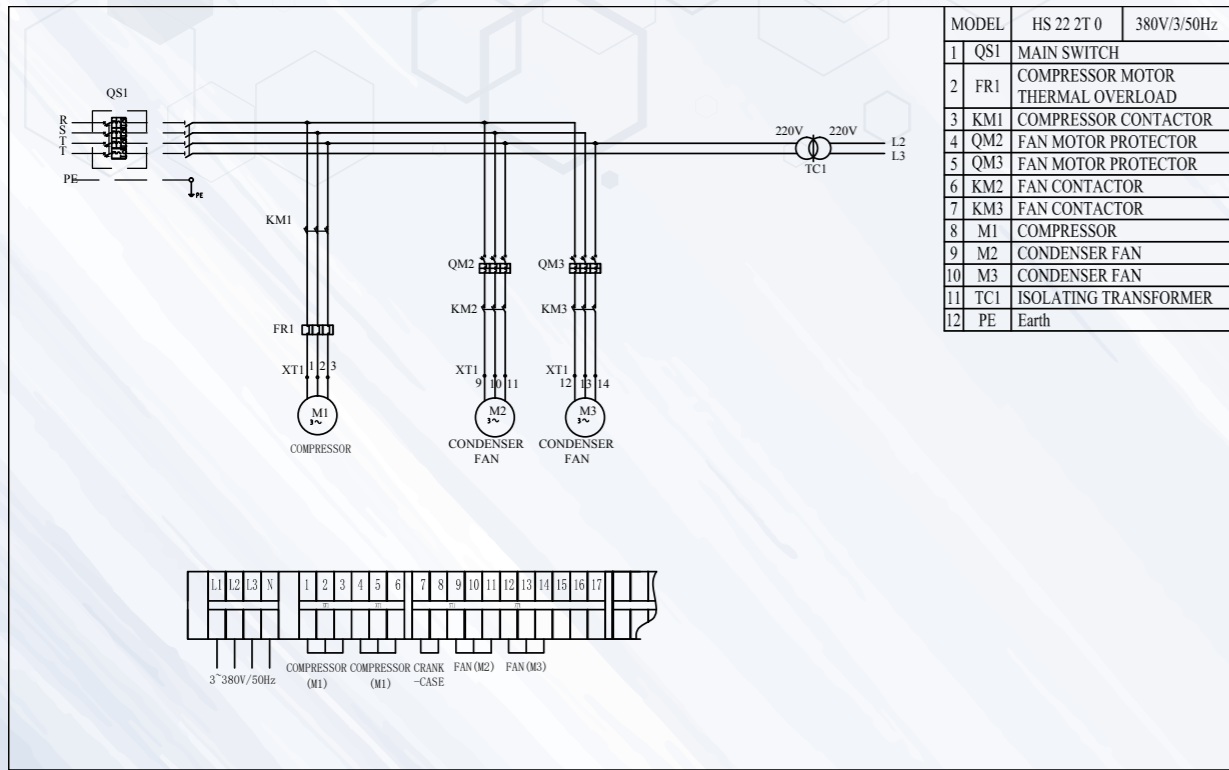
HUB CONDENSING UNIT
UNIDAD CONDENSADORA HUB

Circuit diagram:/ Diagrama de circuito:



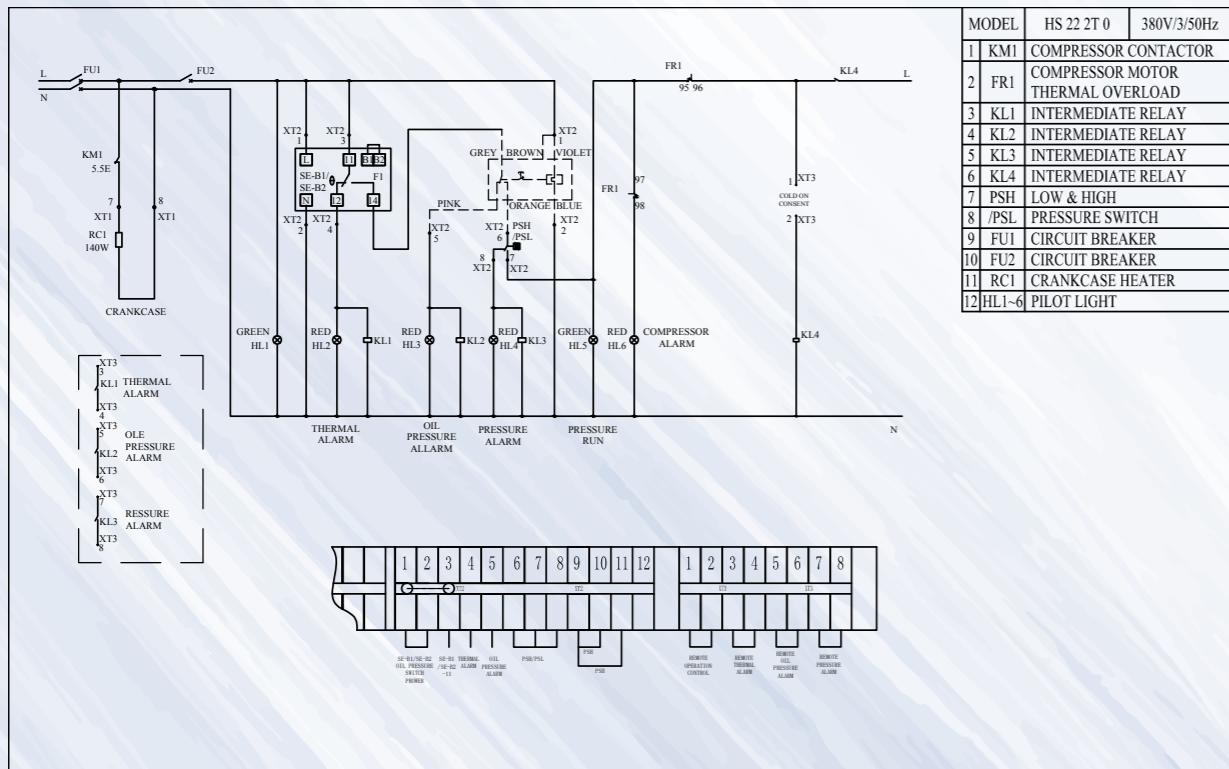
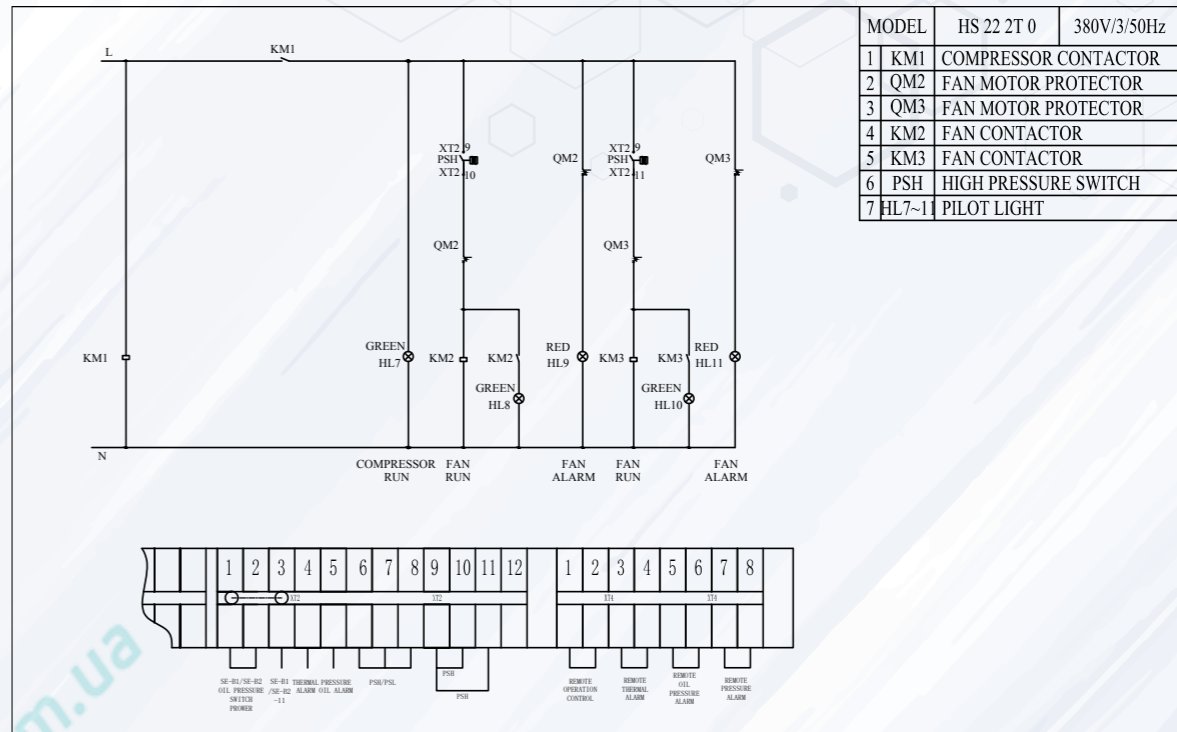
HUB CONDENSING UNIT
UNIDAD CONDENSADORA HUB

Circuit diagram:/ Diagrama de circuito:



HUB CONDENSING UNIT
UNIDAD CONDENSADORA HUB

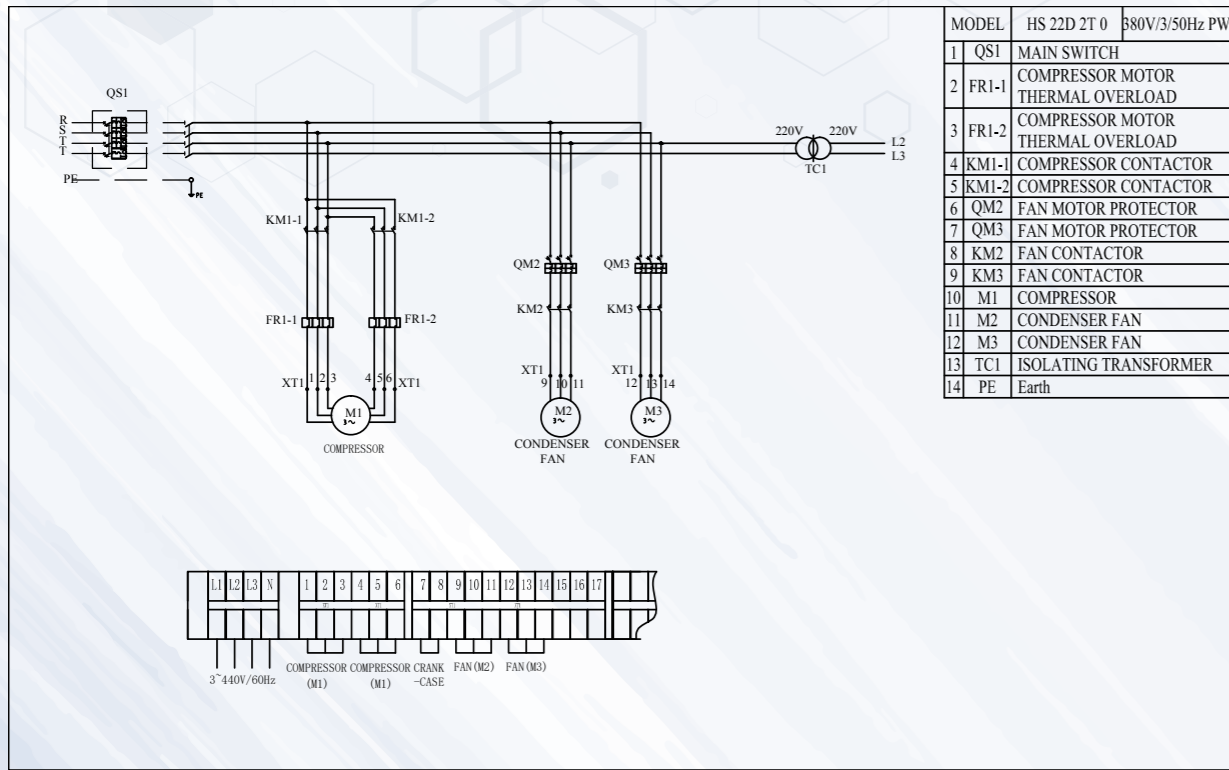
Circuit diagram:/ Diagrama de circuito:



www.pholod.com.ua

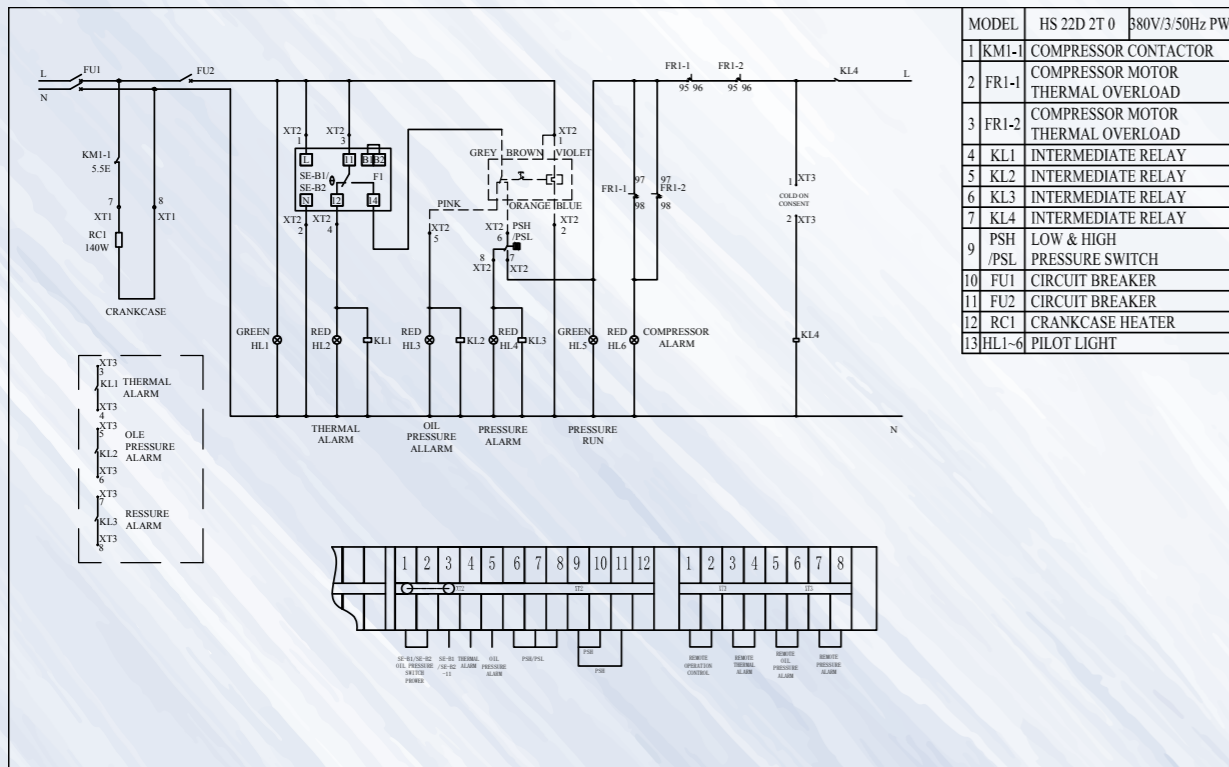
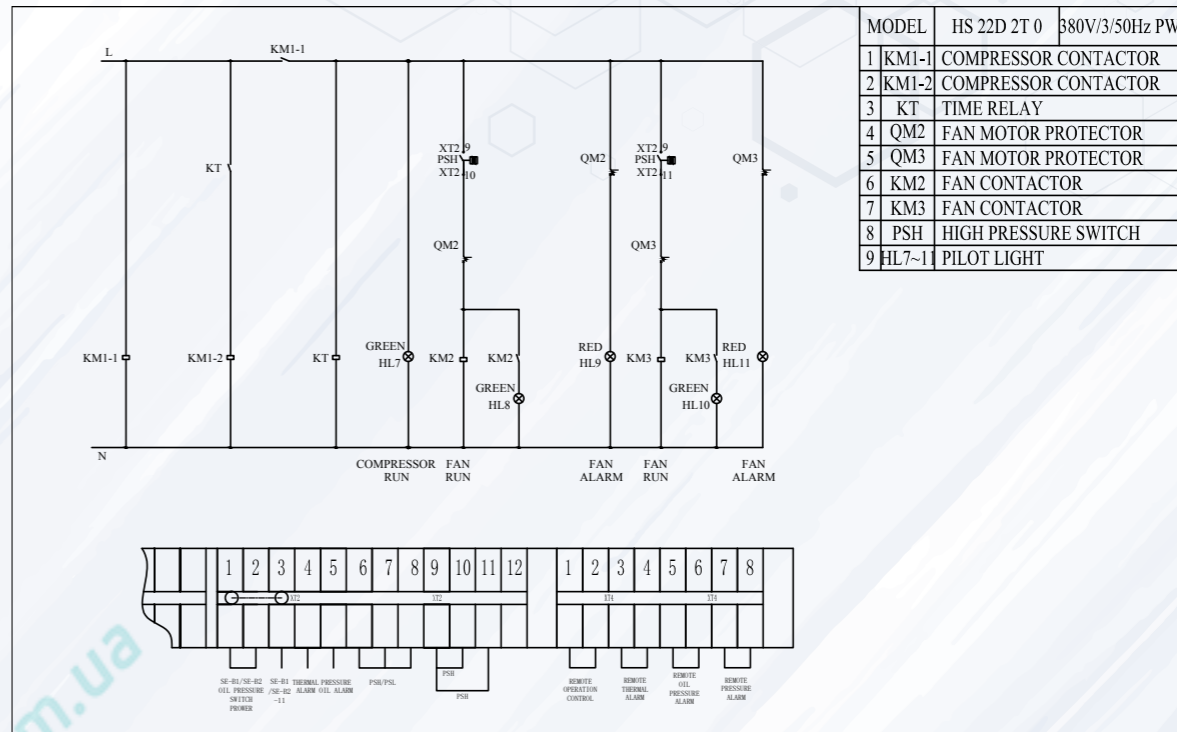
HUB CONDENSING UNIT
UNIDAD CONDENSADORA HUB

Circuit diagram:/ Diagrama de circuito:



HUB CONDENSING UNIT
UNIDAD CONDENSADORA HUB

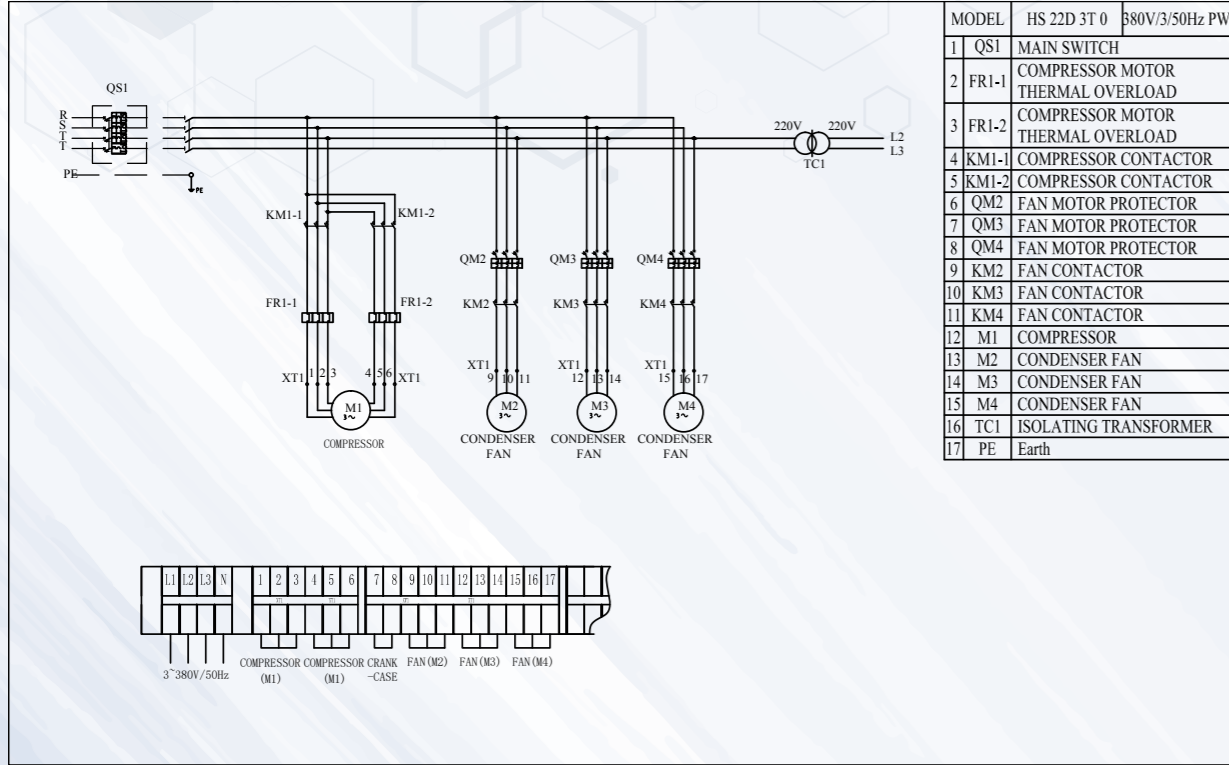
Circuit diagram:/ Diagrama de circuito:



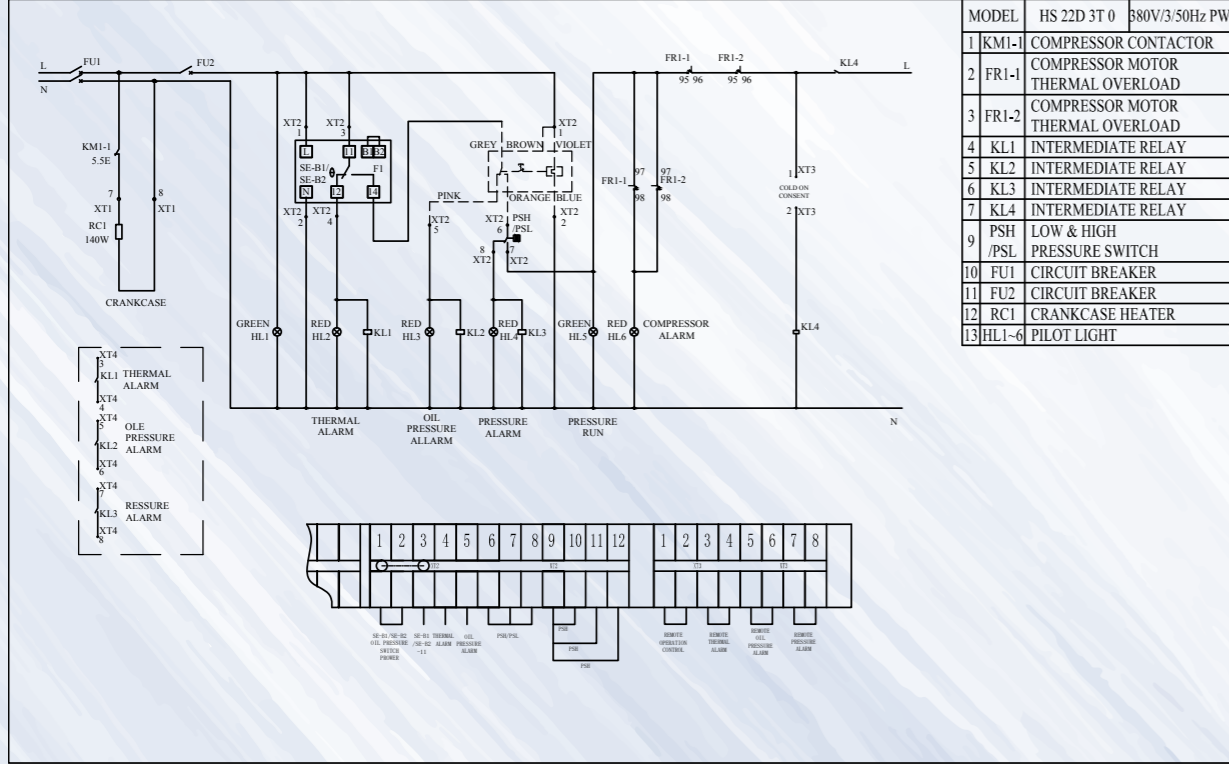
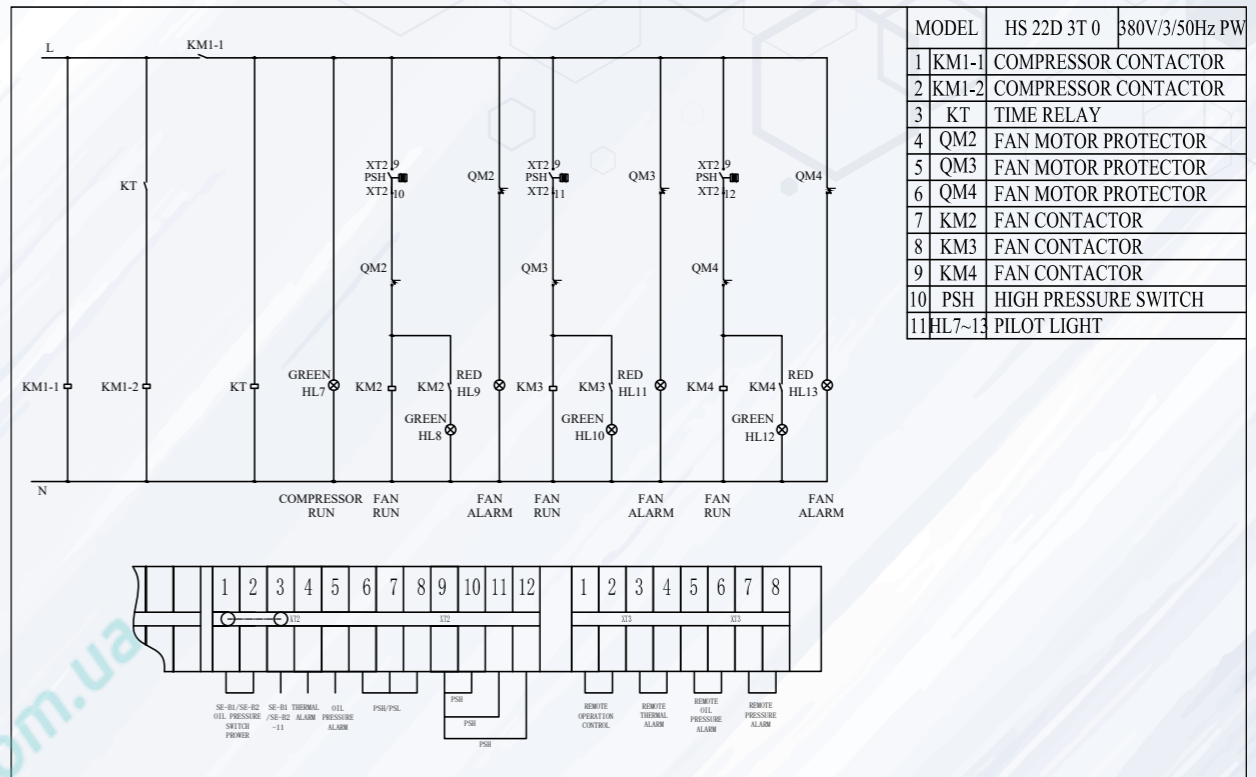
www.pholod.com.ua

HUB CONDENSING UNIT
UNIDAD CONDENSADORA HUB

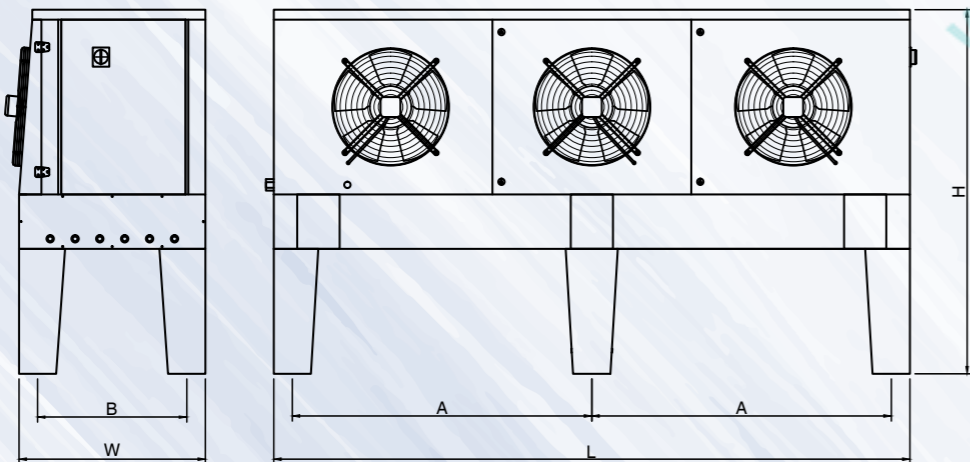
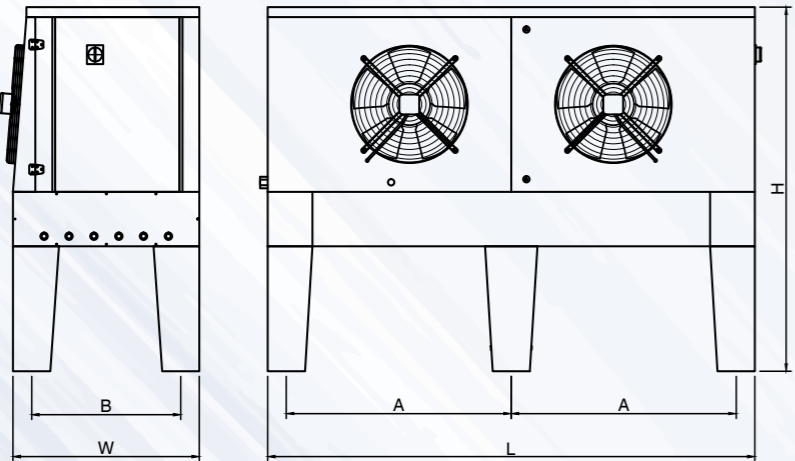
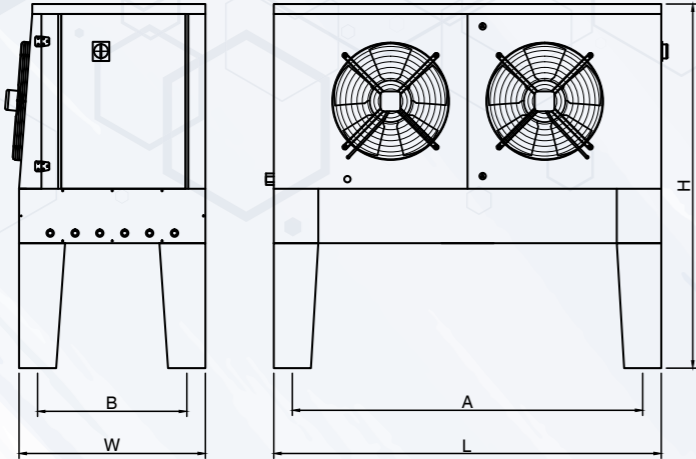
Circuit diagram:/ Diagrama de circuito:



HUB CONDENSING UNIT
UNIDAD CONDENSADORA HUB



HUB CONDENSING UNIT
UNIDAD CONDENSADORA HUB



| Model/ Modelo | Dimensions / Dimensiones (mm) | | | | |
|------------------|-------------------------------|------|------|-----|------|
| | L | W | A | B | H |
| HUB 4502... | 1660 | 760 | 1415 | 605 | 1550 |
| HUB 5002... | 1935 | 955 | 1690 | 810 | 1675 |
| HUB 6302... | 2815 | 1005 | 1335 | 860 | 1785 |
| HUB 6303... | 3815 | 1005 | 1835 | 860 | 1785 |

HUB CONDENSING UNIT
UNIDAD CONDENSADORA HUB



Electric data/ Datos eléctricos

| HMBP R404A | Compressor/ Compresor | Condenser/ Condensador | Axial fan motor/ Ventilador de motor axial | | | | | | | | Noise/ ruido | Pipe Fittings/ Tuberías | | N.W | MOC | Liquid Receiver Volume | | | |
|----------------|--------------------------|---------------------------|---|------------------|-------|------------------------|------------------------|-------|------|-------|-----------------|---------------------------------|--------------------------|-----|-------|---------------------------|---|---|---|
| | | | Model/ Modelo | Model/ Modelo | HP | Capacity/ Capacidad | Surface/ Superficie | Nºxø | m³/h | Poles | | Voltage/ Voltaje (V/50Hz) | Absorption/ Absorción | | | | D | S | |
| | | | | | | Δ T=15K | M² | | | | | | W | | | | | | A |
| HUB 4502Z03 MT | H405CC | 4 | 21.97 | 49 | 2x450 | 7825 | 6 | 220/1 | 520 | 2.40 | 49 | 5/8" | 7/8" | 246 | 16.90 | 8 | | | |
| HUB 5002Z03 MT | H705CC | 7 | 37.56 | 75 | 2x500 | 13890 | 4 | 380/3 | 1300 | 2.30 | 54 | 7/8" | 1 1/8" | 302 | 21.80 | 15 | | | |
| HUB 5002Z05 MT | H1002CC | 10 | 46.96 | 125 | 2x500 | 13046 | 4 | 380/3 | 1300 | 2.30 | 55 | 7/8" | 1 1/8" | 343 | 25.30 | 15 | | | |
| HUB 6302Z04 MT | H1501CC | 15 | 69.65 | 164 | 2x630 | 22370 | 4 | 380/3 | 2200 | 4.40 | 60 | 1 1/8" | 1 5/8" | 415 | 38.40 | 20 | | | |
| HUB 6302Z05 MT | H2001CC | 20 | 73.49 | 205 | 2x630 | 21801 | 4 | 380/3 | 2200 | 4.40 | 60 | 1 1/8" | 1 5/8" | 538 | 42.40 | 30 | | | |
| HUB 6303Z04 MT | H2500CC | 25 | 92.24 | 230 | 3x630 | 33253 | 4 | 380/3 | 3300 | 6.60 | 57 | 1 1/8" | 2 1/8" | 595 | 54.60 | 35 | | | |
| HUB 6303Z05 MT | H3000CC | 30 | 93.43 | 288 | 3x630 | 32371 | 4 | 380/3 | 3300 | 6.60 | 57 | 1 1/8" | 2 1/8" | 616 | 62.60 | 40 | | | |
| HUB 6303Z06 MT | H3500CC | 35 | 118.14 | 345 | 3x630 | 31352 | 4 | 380/3 | 3300 | 6.60 | 58 | 1 1/8" | 2 1/8" | 664 | 72.60 | 50 | | | |

The noise levels refer to the average value recored during 24h of daily functioning with fan motors controlled speed, standard housing sound absorption and compressor jacket (optional items). Alternative conditions may produce different results. / Los niveles de ruido se refieren al valor promedio registrado durante 24 horas de funcionamiento con ventiladores, velocidad controlada, absorción de sonido con gabinete estándar y chaqueta para compresor (items opcionales). Las condiciones alternativas pueden producir diferentes resultados.

Refrigeration capacity/ Capacidad de refrigeración

| HMBP R404A | Compressor/ Compresor | Performance/ Rendimiento (kW) | | | | | | |
|------------------|--------------------------|---|-------|-------|-------|-------|-------|-------|
| | | Evaporating Temperature/ Temperatura de evaporación (°C) | | | | | | |
| Model/ Modelo | Model/ Modelo | HP | +5°C | 0°C | -5°C | -10°C | -15°C | -20°C |
| HUB 4502Z03 MT | H405CC | 4 | 16.28 | 13.44 | 10.97 | 8.84 | 7.02 | 5.48 |
| HUB 5002Z03 MT | H705CC | 7 | 22.66 | 18.83 | 15.48 | 12.57 | 10.06 | 7.93 |
| HUB 5002Z05 MT | H1002CC | 10 | 30.73 | 25.55 | 21.02 | 17.10 | 13.72 | 10.84 |
| HUB 6302Z04 MT | H1501CC | 15 | 39.44 | 33.45 | 28.07 | 23.27 | 19.01 | 15.24 |
| HUB 6302Z05 MT | H2001CC | 20 | 47.59 | 39.82 | 33.01 | 27.08 | 21.94 | 17.52 |
| HUB 6303Z04 MT | H2500CC | 25 | 62.06 | 51.64 | 42.51 | 34.58 | 27.71 | 21.79 |
| HUB 6303Z05 MT | H3000CC | 30 | 70.27 | 58.42 | 48.05 | 39.03 | 31.23 | 24.53 |
| HUB 6303Z06 MT | H3500CC | 35 | 90.86 | 75.82 | 62.62 | 51.13 | 41.17 | 32.59 |

Test condition: Ambient temperature: 35°C, Condensing temperature: 50°C /
Condiciones de prueba: temperatura ambiente: 35°C, temperatura de condensación: 50°C

HUB CONDENSING UNIT
UNIDAD CONDENSADORA HUB

Electric data/ Datos eléctricos



| LBP R404A | Compressor/ Compresor | | Condenser/ Condensador | | Axial fan motor/ Ventilador de motor axial | | | | | | Pipe Fittings/ Tuberías | | N.W | MOC | Liquid Receiver Volume | | | |
|------------------|--------------------------|----|---|--|---|-------------------|-------|---------------------------------|------|------|----------------------------|--------|--------|-----|---------------------------|--------------------------|---|-----------------------------------|
| | | | | | | | | | | | D | S | | | | Absorption/ Absorción | | Noise/ ruido *Dist. =10m |
| | | | | | | | | | | | | | | | | W | A | |
| Model/ Modelo | Model/ Modelo | HP | Capacity/ Capacidad Δ T=15K kW | Surface/ Superficie M ² | N°xø | m ³ /h | Poles | Voltage/ Voltaje (V/50Hz) | W | A | dBa | Inch | Inch | K.G | A | L | | |
| HUB 4502Z02 LT | H505CS | 5 | 17.67 | 33 | 2x450 | 8312 | 6 | 220/1 | 520 | 2.40 | 49 | 7/8" | 1 1/8" | 235 | 16.90 | 8 | | |
| HUB 4502Z03 LT | H801CS | 8 | 21.97 | 49 | 2x450 | 7825 | 6 | 220/1 | 520 | 2.40 | 50 | 1 1/8" | 1 3/8" | 294 | 21.90 | 15 | | |
| HUB 4502Z04 LT | H1001CS | 10 | 24.78 | 65 | 2x450 | 7325 | 6 | 220/1 | 520 | 2.40 | 50 | 1 1/8" | 1 3/8" | 245 | 26.40 | 15 | | |
| HUB 5002Z04 LT | H2000CS | 20 | 43.42 | 100 | 2x500 | 13441 | 4 | 380/3 | 1300 | 2.30 | 55 | 1 1/8" | 1 5/8" | 300 | 40.30 | 25 | | |
| HUB 5002Z06 LT | H2500CS | 25 | 48.81 | 150 | 2x500 | 12668 | 4 | 380/3 | 1300 | 2.30 | 55 | 1 1/8" | 2 1/8" | 420 | 47.30 | 30 | | |
| HUB 6302Z04 LT | H3000CS | 30 | 69.65 | 164 | 2x630 | 22370 | 4 | 380/3 | 2200 | 4.40 | 61 | 1 1/8" | 2 1/8" | 465 | 64.40 | 40 | | |
| HUB 6302Z05 LT | H3500CS | 35 | 73.49 | 205 | 2x630 | 21801 | 4 | 380/3 | 2200 | 4.40 | 61 | 1 1/8" | 2 1/8" | 560 | 64.40 | 50 | | |
| HUB 6303Z04 LT | H4500CS | 45 | 92.24 | 230 | 3x630 | 33253 | 4 | 380/3 | 3300 | 6.60 | 58 | 1 1/8" | 2 1/8" | 695 | 81.60 | 50 | | |

The noise levels refer to the average value recored during 24h of daily functioning with fan motors controlled speed, standard housing sound absorption and compressor jacket (optional items). Alternative conditions may produce different results. /
Los niveles de ruido se refieren al valor promedio registrado durante 24 horas de funcionamiento con ventiladores, velocidad controlada, absorción de sonido con gabinete estándar y chaqueta para compresor (items opcionales). Las condiciones alternativas pueden producir diferentes resultados.

Refrigeration capacity/ Capacidad de refrigeración

| LBP R404A | Compressor/ Compresor | | Performance/ Rendimiento (kW) | | | | | |
|------------------|--------------------------|----|---|-------|-------|-------|-------|-------|
| | | | Evaporating Temperature/ Temperatura de evaporación (°C) | | | | | |
| | | | -10°C | -15°C | -20°C | -25°C | -30°C | -35°C |
| Model/ Modelo | Model/ Modelo | HP | | | | | | |
| HUB 4502Z02 LT | H505CS | 5 | 12.43 | 10.01 | 7.93 | 6.16 | 4.65 | 3.38 |
| HUB 4502Z03 LT | H801CS | 8 | 19.61 | 16.03 | 12.88 | 10.13 | 7.71 | 5.58 |
| HUB 4502Z04 LT | H1001CS | 10 | 23.34 | 18.92 | 15.09 | 11.80 | 8.98 | 6.58 |
| HUB 5002Z04 LT | H2000CS | 20 | 34.78 | 27.99 | 22.15 | 17.14 | 12.86 | 9.20 |
| HUB 5002Z06 LT | H2500CS | 25 | 39.09 | 31.42 | 24.84 | 19.22 | 14.45 | 10.42 |
| HUB 6302Z04 LT | H3000CS | 30 | 51.69 | 41.70 | 33.06 | 25.63 | 19.27 | 13.84 |
| HUB 6302Z05 LT | H3500CS | 35 | 57.77 | 46.61 | 36.97 | 28.68 | 21.60 | 15.56 |
| HUB 6303Z04 LT | H4500CS | 45 | 67.49 | 54.69 | 43.62 | 34.12 | 25.97 | 19.02 |

Test condition: Ambient temperature: 35°C, Condensing temperature: 50°C /
Condiciones de prueba: temperatura ambiente: 35°C, temperatura de condensación: 50°C

HUB CONDENSING UNIT
UNIDAD CONDENSADORA HUB

Electric data/ Datos eléctricos



| HMBP R404A | Compressor/ Compresor | | Condenser/ Condensador | | Axial fan motor/ Ventilador de motor axial | | | | | | Pipe Fittings/ Tuberías | | N.W | MOC | Liquid Receiver Volume | | | |
|------------------|--------------------------|-----|---|--|---|-------------------|-------|---------------------------------|------|------|----------------------------|--------|--------|-----|---------------------------|--------------------------|---|-----------------------------------|
| | | | | | | | | | | | D | S | | | | Absorption/ Absorción | | Noise/ ruido *Dist. =10m |
| | | | | | | | | | | | | | | | | W | A | |
| Model/ Modelo | Model/ Modelo | HP | Capacity/ Capacidad Δ T=15K kW | Surface/ Superficie M ² | N°xø | m ³ /h | Poles | Voltage/ Voltaje (V/50Hz) | W | A | dBa | Inch | Inch | K.G | A | L | | |
| HUB 4502Z03 MT | 4FES-5Y | 5 | 21.97 | 49 | 2x450 | 7825 | 6 | 220/1 | 520 | 2.40 | 49 | 5/8" | 7/8" | 246 | 13.50 | 8 | | |
| HUB 5002Z03 MT | 4DES-7Y | 7.5 | 37.56 | 75 | 2x500 | 13890 | 4 | 380/3 | 1300 | 2.30 | 55 | 7/8" | 1 1/8" | 302 | 18.20 | 15 | | |
| HUB 5002Z05 MT | 4VES-10Y | 10 | 46.96 | 125 | 2x500 | 13046 | 4 | 380/3 | 1300 | 2.30 | 55 | 7/8" | 1 1/8" | 343 | 21.60 | 15 | | |
| HUB 6302Z04 MT | 4PES-15Y | 15 | 69.65 | 164 | 2x630 | 22370 | 4 | 380/3 | 2200 | 4.40 | 60 | 1 1/8" | 1 5/8" | 415 | 31.50 | 20 | | |
| HUB 6302Z05 MT | 4NES-20Y | 20 | 73.49 | 205 | 2x630 | 21801 | 4 | 380/3 | 2200 | 4.40 | 60 | 1 1/8" | 1 5/8" | 538 | 36.50 | 30 | | |
| HUB 6303Z04 MT | 4HE-25Y | 25 | 92.24 | 230 | 3x630 | 33253 | 4 | 380/3 | 3300 | 6.60 | 58 | 1 1/8" | 2 1/8" | 595 | 48.95 | 35 | | |
| HUB 6303Z05 MT | 4GE-30Y | 30 | 93.43 | 288 | 3x630 | 32371 | 4 | 380/3 | 3300 | 6.60 | 59 | 1 1/8" | 2 1/8" | 616 | 56.15 | 40 | | |
| HUB 6303Z06 MT | 6HE-35Y | 35 | 118.14 | 345 | 3x630 | 31352 | 4 | 380/3 | 3300 | 6.60 | 59 | 1 1/8" | 2 1/8" | 664 | 69.35 | 50 | | |

The noise levels refer to the average value recored during 24h of daily functioning with fan motors controlled speed, standard housing sound absorption and compressor jacket (optional items). Alternative conditions may produce different results. /
Los niveles de ruido se refieren al valor promedio registrado durante 24 horas de funcionamiento con ventiladores, velocidad controlada, absorción de sonido con gabinete estándar y chaqueta para compresor (items opcionales). Las condiciones alternativas pueden producir diferentes resultados.

Refrigeration capacity/ Capacidad de refrigeración

| HMBP R404A | Compressor/ Compresor | | Performance/ Rendimiento (kW) | | | | | |
|------------------|--------------------------|-----|---|-------|-------|-------|-------|-------|
| | | | Evaporating Temperature/ Temperatura de evaporación (°C) | | | | | |
| | | | +5°C | 0°C | -5°C | -10°C | -15°C | -20°C |
| Model/ Modelo | Model/ Modelo | HP | | | | | | |
| HUB 4502Z03 MT | 4FES-5Y | 5 | 14.40 | 12.01 | 9.94 | 8.13 | 6.58 | 5.25 |
| HUB 5002Z03 MT | 4DES-7Y | 7.5 | 22.14 | 18.44 | 15.22 | 12.44 | 10.04 | 8.00 |
| HUB 5002Z05 MT | 4VES-10Y | 10 | 28.41 | 23.42 | 19.11 | 15.39 | 12.21 | 9.50 |
| HUB 6302Z04 MT | 4PES-15Y | 15 | 39.34 | 32.36 | 26.32 | 21.13 | 16.69 | 12.94 |
| HUB 6302Z05 MT | 4NES-20Y | 20 | 46.83 | 38.71 | 31.68 | 25.64 | 20.47 | 16.08 |
| HUB 6303Z04 MT | 4HE-25Y | 25 | 60.73 | 50.67 | 41.88 | 34.23 | 27.61 | 21.91 |
| HUB 6303Z05 MT | 4GE-30Y | 30 | 69.35 | 57.94 | 47.98 | 39.31 | 31.81 | 25.35 |
| HUB 6303Z06 MT | 6HE-35Y | 35 | 89.29 | 74.53 | 61.63 | 50.39 | 40.65 | 32.26 |

Test condition: Ambient temperature: 35°C, Condensing temperature: 50°C /
Condiciones de prueba: temperatura ambiente: 35°C, temperatura de condensación: 50°C

HUB CONDENSING UNIT
UNIDAD CONDENSADORA HUB

Electric data/ Datos eléctricos

| LBP R404A | Compressor/ Compresor | | Condenser/ Condensador | | Axial fan motor/ Ventilador de motor axial | | | | | | Noise/ ruido *Dist. =10m | Pipe Fittings/ Tuberías | | N.W | MOC | Liquid Receiver Volume |
|----------------|--------------------------|-----|-----------------------------------|------------------------|---|-------|-------|---------------------------------|--------------------------|------|-----------------------------------|----------------------------|--------|-----|-------|---------------------------|
| | Model/ Modelo | HP | Capacity/ Capacidad Δ T=15K | Surface/ Superficie | N°xø | m³/h | Poles | Voltage/ Voltaje (V/50Hz) | Absorption/ Absorción | | | D | S | | | |
| | | | | | | | | | W | A | | | | | | |
| HUB 4502Z02 LT | 4DES-5Y | 5 | 17.67 | 33 | 2x450 | 8312 | 6 | 220/1 | 520 | 2.40 | 69 | 7/8" | 1 1/8" | 235 | 17.20 | 8 |
| HUB 4502Z03 LT | 4TES-9Y | 7.5 | 21.97 | 49 | 2x450 | 7825 | 6 | 220/1 | 520 | 2.40 | 73 | 1 1/8" | 1 3/8" | 294 | 22.60 | 15 |
| HUB 4502Z04 LT | 4PES-12Y | 10 | 24.78 | 65 | 2x450 | 7325 | 6 | 220/1 | 520 | 2.40 | 73 | 1 1/8" | 1 3/8" | 245 | 25.40 | 15 |
| HUB 5002Z04 LT | 4HE-18Y | 15 | 43.42 | 100 | 2x500 | 13441 | 4 | 380/3 | 1300 | 2.30 | 76 | 1 1/8" | 1 5/8" | 300 | 38.40 | 25 |
| HUB 5002Z06 LT | 4GE-23Y | 20 | 48.81 | 150 | 2x500 | 12668 | 4 | 380/3 | 1300 | 2.30 | 80 | 1 1/8" | 2 1/8" | 420 | 45.60 | 30 |
| HUB 6302Z04 LT | 6HE-28Y | 25 | 69.65 | 164 | 2x630 | 22370 | 4 | 380/3 | 2200 | 4.40 | 84 | 1 1/8" | 2 1/8" | 465 | 56.50 | 40 |
| HUB 6302Z05 LT | 6GE-34Y | 30 | 73.49 | 205 | 2x630 | 21801 | 4 | 380/3 | 2200 | 4.40 | 84 | 1 1/8" | 2 1/8" | 560 | 68.80 | 50 |
| HUB 6303Z04 LT | 6FE-44Y | 40 | 92.24 | 230 | 3x630 | 33253 | 4 | 380/3 | 3300 | 6.60 | 84 | 1 1/8" | 2 1/8" | 695 | 88.15 | 50 |

The noise levels refer to the average value recored during 24h of daily functioning with fan motors controlled speed, standard housing sound absorption and compressor jacket (optional items). Alternative conditions may produce different results. /
Los niveles de ruido se refieren al valor promedio registrado durante 24 horas de funcionamiento con ventiladores, velocidad controlada, absorción de sonido con gabinete estándar y chaqueta para compresor (items opcionales). Las condiciones alternativas pueden producir diferentes resultados.

Refrigeration capacity/ Capacidad de refrigeración

| LBP R404A | Compressor/ Compresor | | Performance/ Rendimiento (kW) | | | | | |
|----------------|--------------------------|-----|---|-------|-------|-------|-------|-------|
| | Model/ Modelo | HP | Evaporating Temperature/ Temperatura de evaporación (°C) | | | | | |
| -10°C | | | -15°C | -20°C | -25°C | -30°C | -35°C | |
| HUB 4502Z02 LT | 4DES-5Y | 5 | 12.44 | 10.04 | 8.00 | 6.26 | 4.80 | 3.60 |
| HUB 4502Z03 LT | 4TES-9Y | 7.5 | 18.82 | 15.02 | 11.79 | 9.06 | 6.79 | 4.91 |
| HUB 4502Z04 LT | 4PES-12Y | 10 | 21.23 | 16.79 | 13.02 | 9.86 | 7.22 | 5.07 |
| HUB 5002Z04 LT | 4HE-18Y | 15 | 34.98 | 28.34 | 22.62 | 17.72 | 13.57 | 10.07 |
| HUB 5002Z06 LT | 4GE-23Y | 20 | 40.59 | 33.05 | 26.56 | 21.00 | 16.29 | 12.32 |
| HUB 6302Z04 LT | 6HE-28Y | 25 | 51.51 | 41.74 | 33.32 | 26.10 | 19.97 | 14.80 |
| HUB 6302Z05 LT | 6GE-34Y | 30 | 60.31 | 49.40 | 39.95 | 31.81 | 24.84 | 18.92 |
| HUB 6303Z04 LT | 6FE-44Y | 40 | 72.19 | 59.07 | 47.66 | 37.77 | 29.24 | 21.92 |

Test condition: Ambient temperature: 35°C, Condensing temperature: 50°C /
Condiciones de prueba: temperatura ambiente: 35°C, temperatura de condensación: 50°C

HUC CONDENSING UNIT
UNIDAD CONDENSADORA HUC



HUC 4001Z03 MT

- T: Three hase (S: Single phase) /
T: Trifásico (S: Una fase)
- M: Medium and high temperature, L: Low temp. /
M: Media y alta temperatura, L: Baja temp.
- Rows of condenser / Filas de condensador
- R404A
- Fan ø / Ventilador (mm) * N°
- Series / Serie

Inner-Grooved Copper Tubing:

The inside surface of copper tubing is grooved with inner slots to enlarge the contact surface area—increasing heat efficiency exchange by 10-12%.

Blue Fin Coating:

On outdoor units, Blue Fin coating helps protect the parts from corrosion.

Supported to the casing by means of a “floating” system that avoids any kind of contact between the copper tubes and the supporting end plates, assuring a long life for the condenser without leaks.

Tubos de cobre con ranuras interiores:

La superficie interna de la tubería de cobre está ranurada con ranuras internas para aumentar el intercambio de eficiencia de calor del área de contacto de superficie en un 10-12%.

Revestimiento de aleta azul:

En las unidades exteriores, el revestimiento Blue Fin ayuda a proteger las piezas de la corrosión.

Soportado a la carcasa por medio de un sistema “flotante” que evita cualquier tipo de contacto entre los tubos de cobre y las placas extremas de soporte, asegurando una larga vida útil del condensador sin fugas.

General features:

The condensing unit HUC range is designed for commercial refrigeration at midium and low temperatures. Specially designed with tropical condenser, low noise operation, easy maintenance, finest components to guarantee final quality control. All condensing units are with directives 97/23/EC Pressure Equipment (P.E.D)

Accesorios:

- Powder coated Zinc plate highly anti-corrosion strength
- Tropical condenser coil with copper tube and aluminium fins
- Sound insulation
- Hermetic scroll or reciprocating compressor
- Dural pressure switch with automatic reset
- Solenoid valve on liquid line
- Filter drier on liquid line
- Sight glass with moisture indicator
- Liquid receiver
- Built in electric control panel
- Shut-off valves for liquid and suction line.
- Ziehl-Abegg or Maer axial fan motors.

Optional items:

- Safety relief valve
- Fan speed controller based on condenser pressure
- Oil separator
- Crankcase heater
- Suction accumulator
- Different voltaje & gas.

Características generales:

Las unidades condensadoras HUC estan diseñadas para la refrigeración comercial para alta, media y baja temperatura. Bajo nivel sonoro, y un fácil mantenimiento e instalación. Todos los componentes de control son de alta calidad y marcas reconocidas. Todas las unidades condensadoras cumplen con las directivas 97/23/EC Equipo de presión (P.E.D).

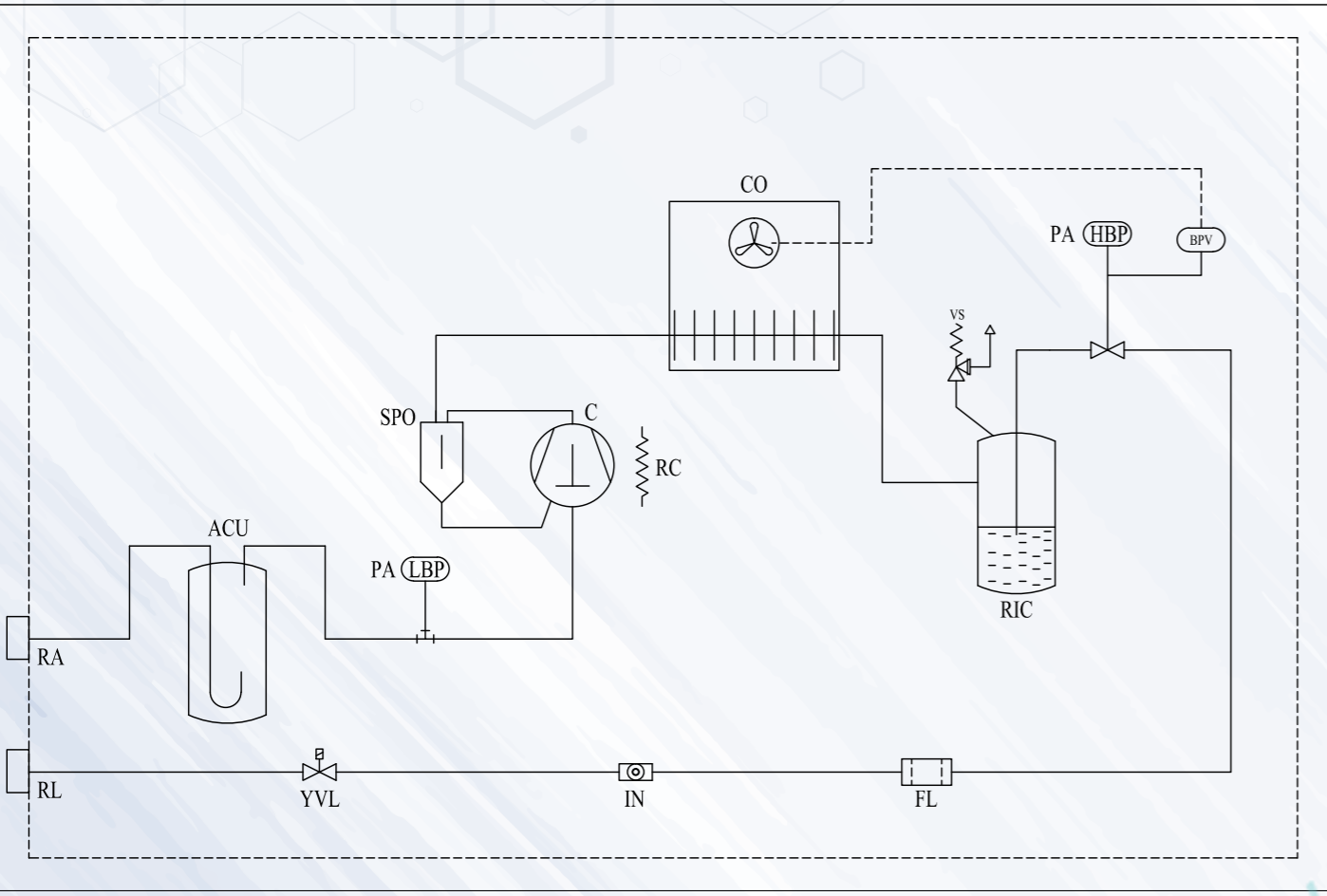
Accesorios:

- Paquete de aletas con tratamiento anti corrosión
- Condensador tropicalizado
- Unidad condensadora insonorizada
- Compresor Scroll o hermetico de pistones
- Doble presostato con rearme automatico. Alta y baja presión.
- Válvula selenoide en línea de líquido
- Filtro deshidratador en línea de líquido
- Visor de líquido
- Recipiente de líquido (calderin)
- Panel eléctrico de control
- Válvulas de servicio en línea de líquido y aspiración.
- Ventilador axial Ziehl-Abegg o Maer

Accesorios opcionales:

- Valvula de seguridad homologada
- Control de velocidad, según la condensación
- Separador de aceite
- Resistencia de carter
- Acumulador de succión
- Diferente voltaje & gas

HUC CONDENSING UNIT
UNIDAD CONDENSADORA HUC



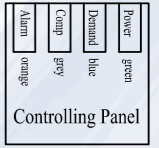
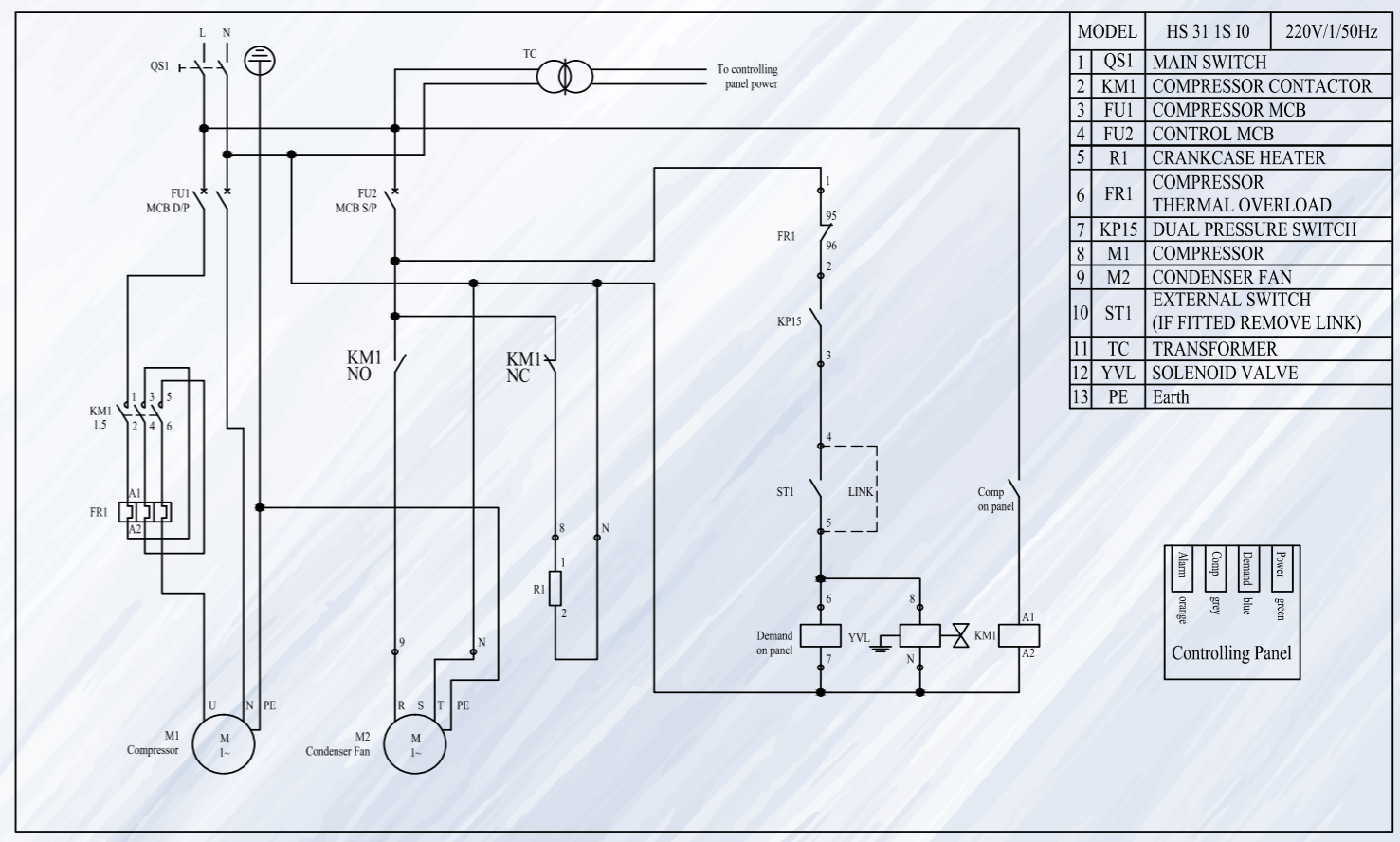
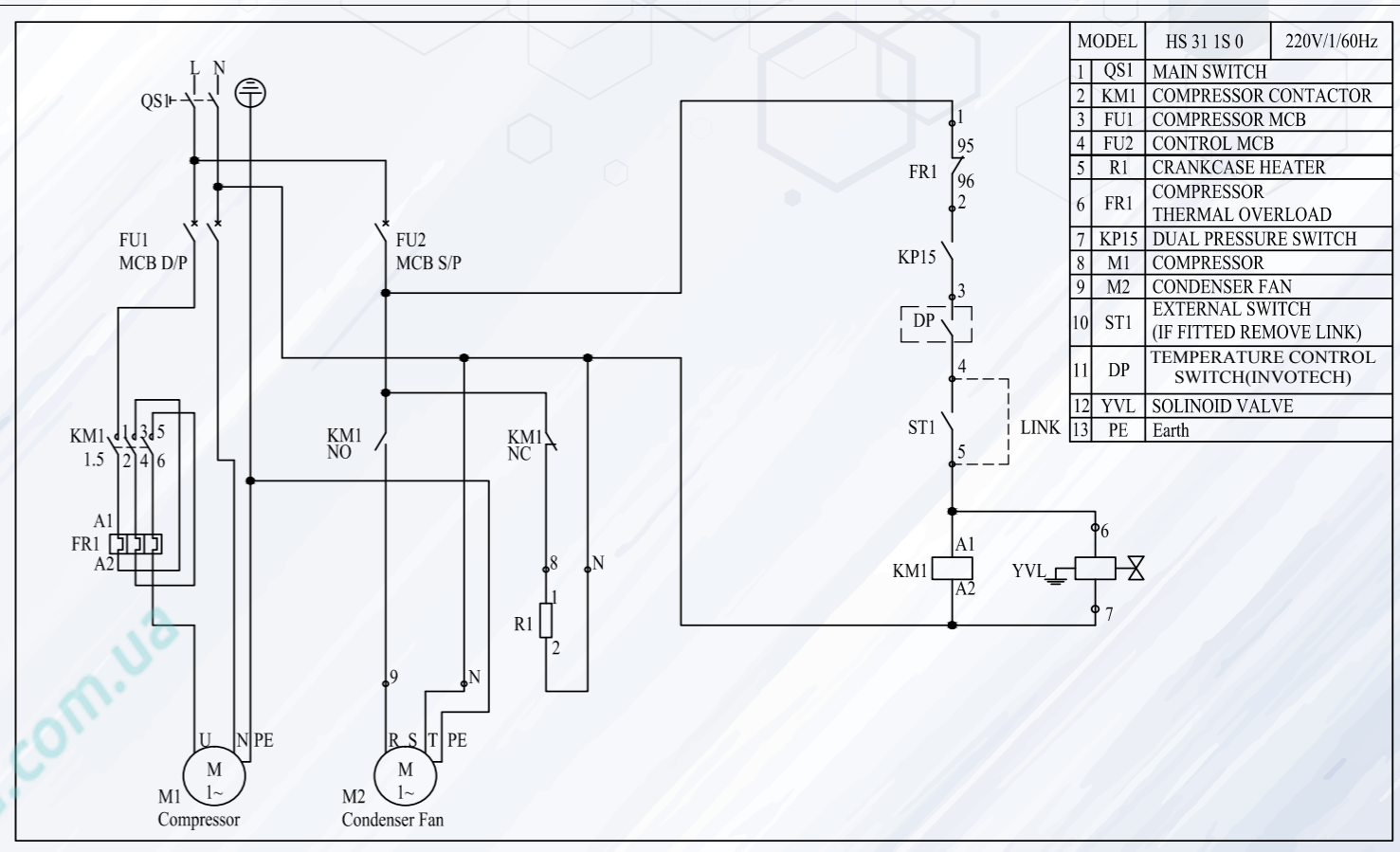
- Accessories:**
 CO -Tropical condenser coil with copper tube and aluminium fins
 C -Hermetic scroll or reciprocating compressor
 PA -Dural pressure switch with automatic reset
 YVL -Solenoid valve on liquid line
 FL -Filter drier on liquid line
 IN -Sight glass with moisture indicator
 RIC -Liquid receiver
 RL/RA -Shut-off valves for liquid and suction line

- Optional items:**
 BPV -Fan speed controller based on condenser pressure
 SPO -Oil separator
 RC -Crankcase heater
 ACU -Suction accumulator
 VS -Safety relief valve

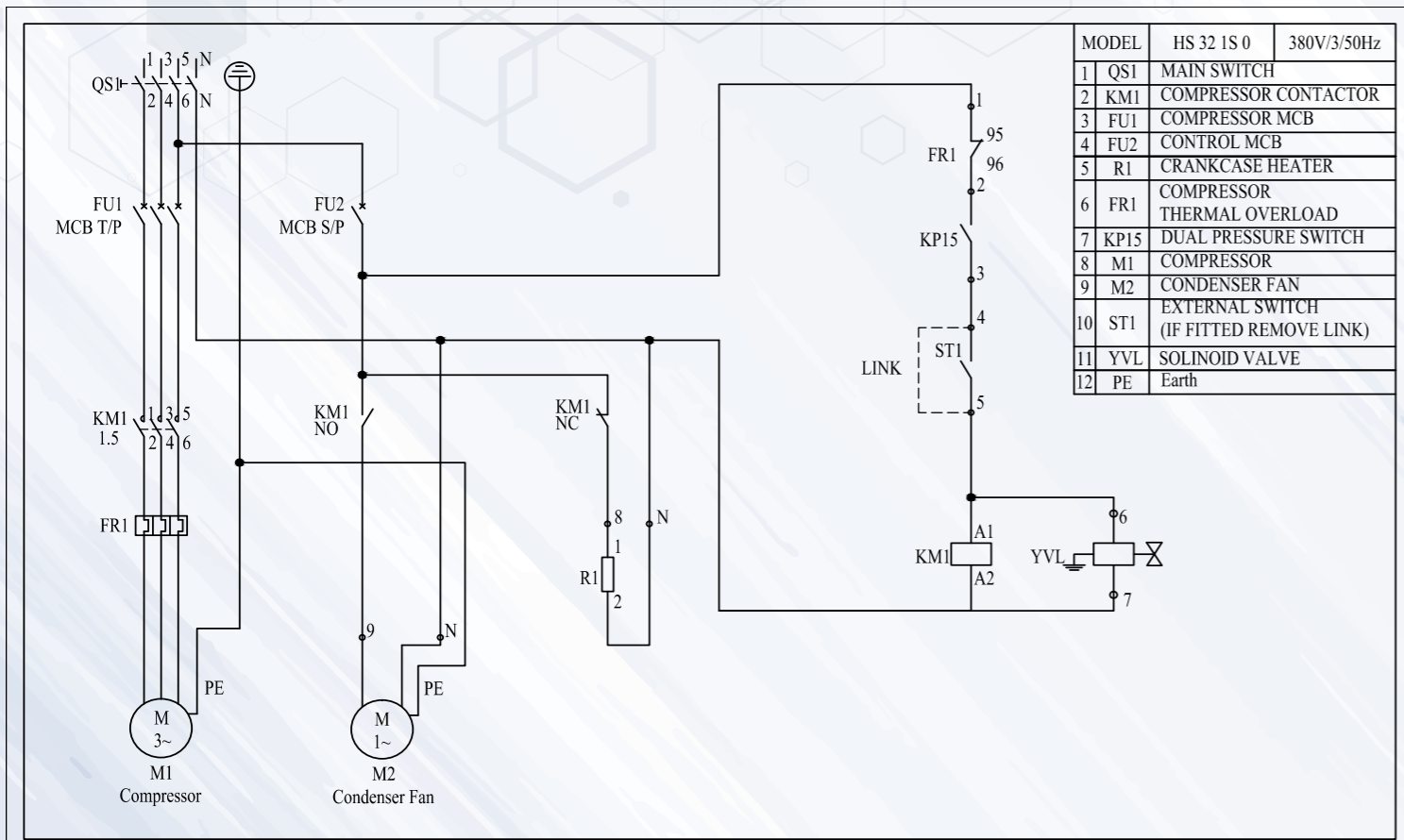
- Accesorios:**
 CO -Condensador tropicalizado
 C -Compresor Scroll o hermetico de pistones
 PA -Doble presostato con rearme automatico. Alta y baja presión.
 YVL -Válvula selenoide en línea de líquido
 FL -Filtro deshidratador en línea de líquido
 IN -Visor de líquido
 RIC -Recipiente de líquido (calderín)
 RL/RA -Válvulas de servicio en línea de líquido y aspiración

- Accesorios opcionales:**
 BPV -Control de velocidad, según la condensación
 SPO -Separador de aceite
 RC -Resistencia de carter
 ACU -Acumulador de succión
 VS -Válvula de seguridad homologada

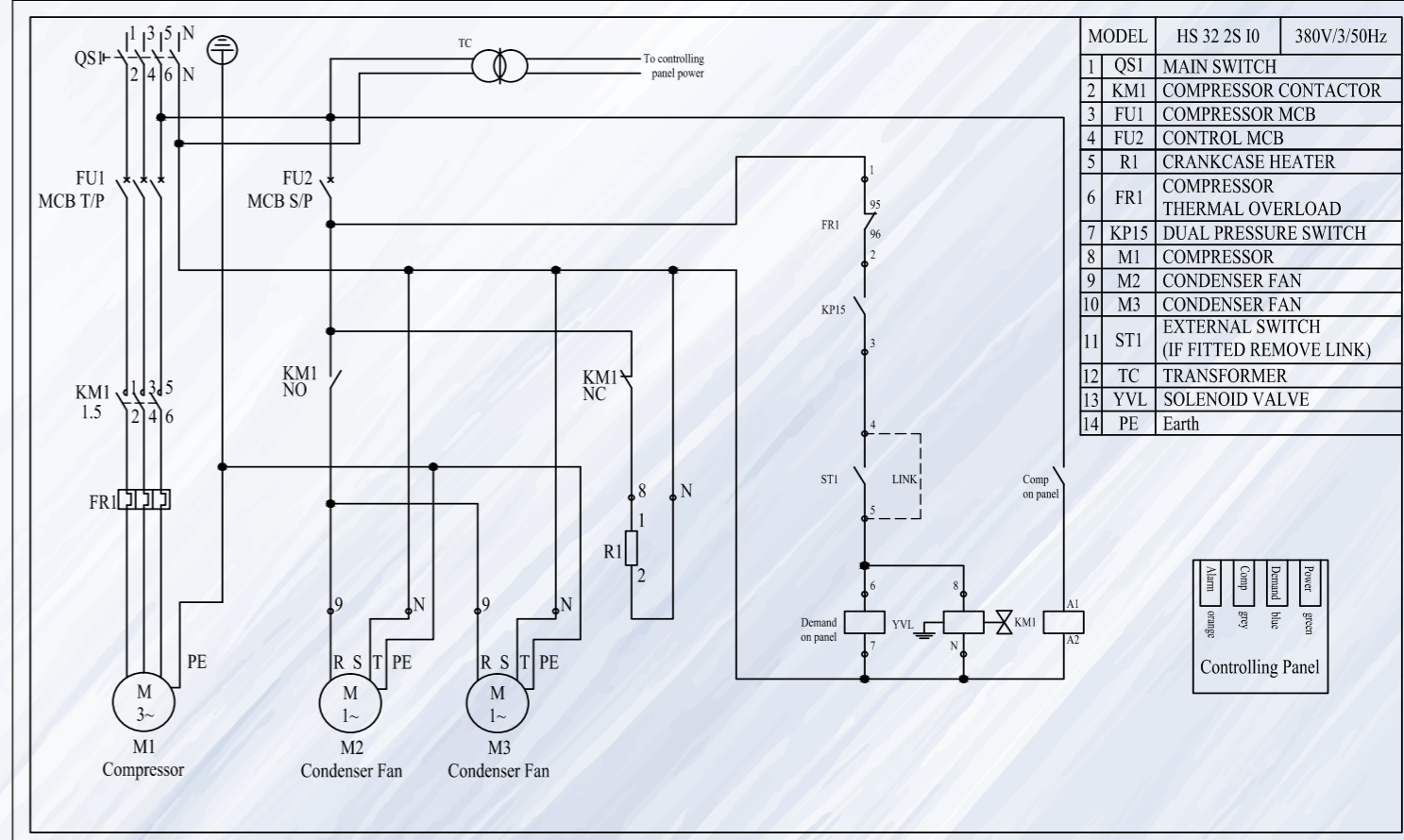
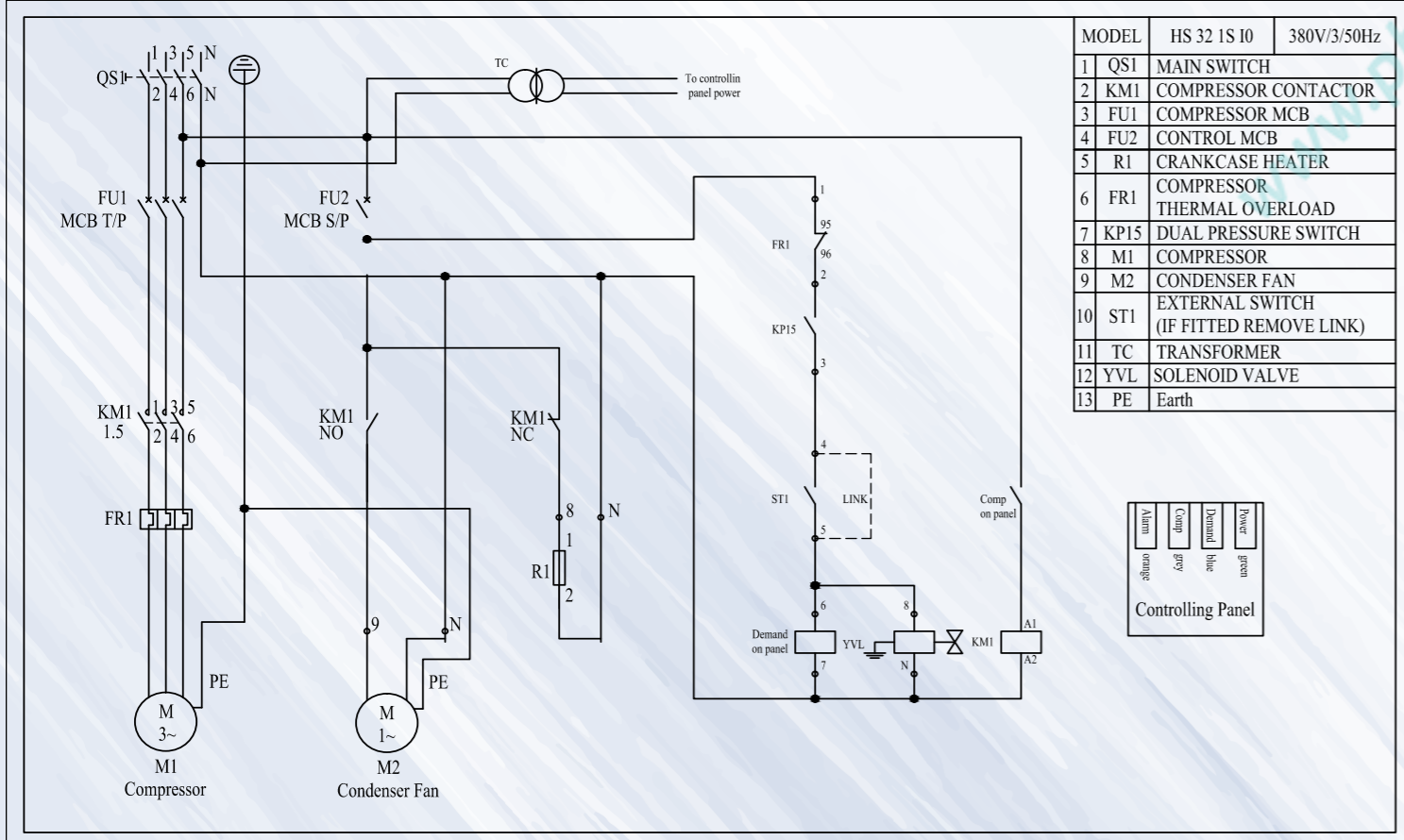
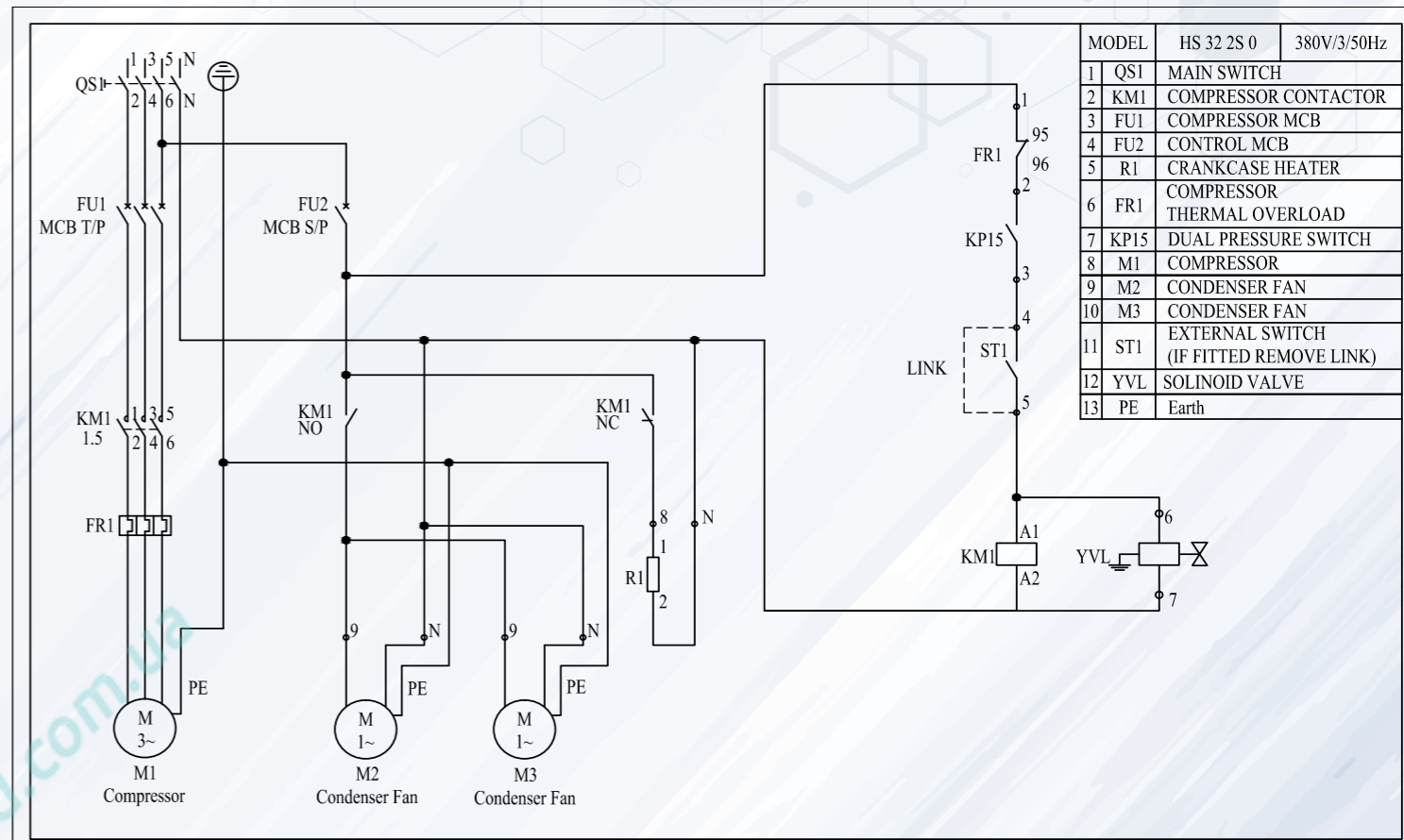
HUC CONDENSING UNIT
UNIDAD CONDENSADORA HUC



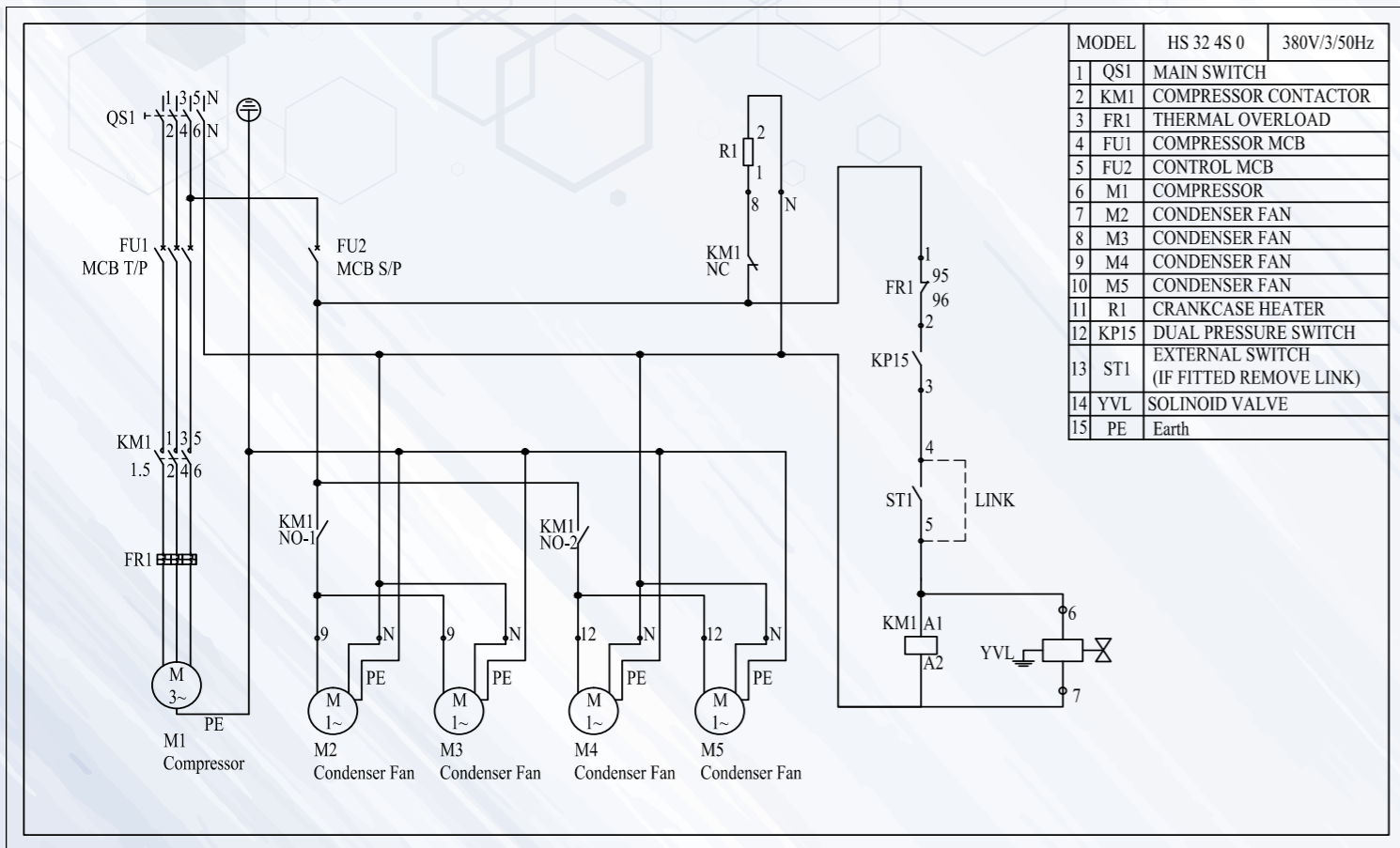
HUC CONDENSING UNIT
UNIDAD CONDENSADORA HUC



HUC CONDENSING UNIT
UNIDAD CONDENSADORA HUC

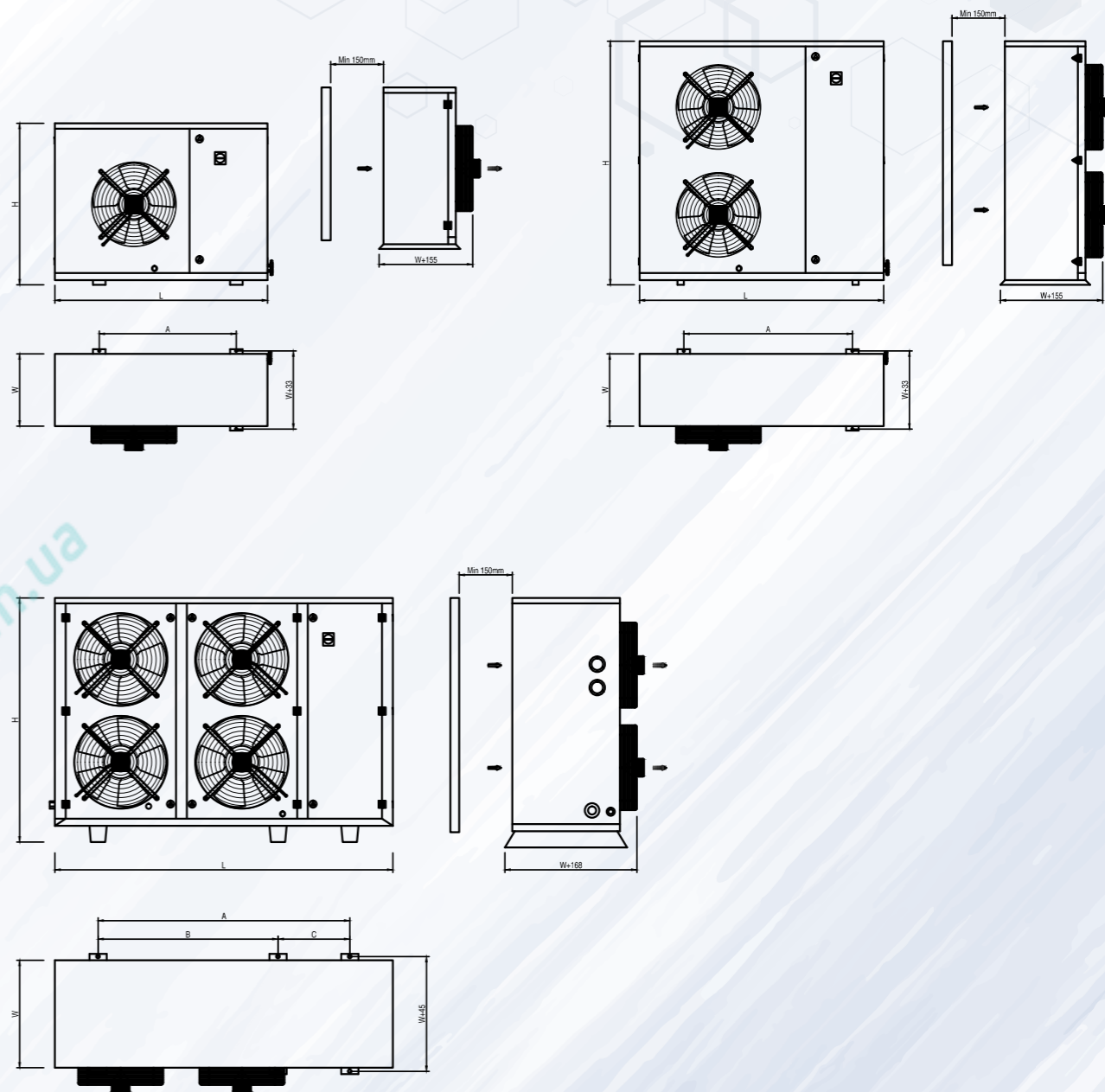


HUC CONDENSING UNIT
UNIDAD CONDENSADORA HUC



| | | |
|-------|------------|---|
| MODEL | HS 32 4S 0 | 380V/3/50Hz |
| 1 | QS1 | MAIN SWITCH |
| 2 | KM1 | COMPRESSOR CONTACTOR |
| 3 | FR1 | THERMAL OVERLOAD |
| 4 | FU1 | COMPRESSOR MCB |
| 5 | FU2 | CONTROL MCB |
| 6 | M1 | COMPRESSOR |
| 7 | M2 | CONDENSER FAN |
| 8 | M3 | CONDENSER FAN |
| 9 | M4 | CONDENSER FAN |
| 10 | M5 | CONDENSER FAN |
| 11 | R1 | CRANKCASE HEATER |
| 12 | KP15 | DUAL PRESSURE SWITCH |
| 13 | ST1 | EXTERNAL SWITCH (IF FITTED REMOVE LINK) |
| 14 | YVL | SOLINOID VALVE |
| 15 | PE | Earth |

HUC CONDENSING UNIT
UNIDAD CONDENSADORA HUC



www.pholod.com.ua

| Model/ Model | Dimensions / Dimensiones (mm) | | | | | |
|------------------|-------------------------------|-----|------|-----|-----|------|
| | L | W | A | B | C | H |
| HUC 3501... | 805 | 400 | 546 | / | / | 650 |
| HUC 4001... | 1035 | 400 | 562 | / | / | 750 |
| HUC 4501... | 1235 | 450 | 742 | / | / | 900 |
| HUC 4502... | 1355 | 450 | 862 | / | / | 1200 |
| HUC 5002... | 1455 | 450 | 962 | / | / | 1300 |
| HUC 4504/5004... | 2080 | 600 | 1380 | 900 | 480 | 1360 |

HUC CONDENSING UNIT

UNIDAD CONDENSADORA HUC



Electric data/ Datos eléctricos

| HMBP R404A | Compressor/ Compresor | | Condenser/ Condensador | | Axial fan motor/ Ventilador de motor axial | | | | | | Noise/ ruido | | Pipe Fittings/ Tuberías | | N.W | MOC | Liquid Receiver Volume | | |
|----------------|--------------------------|-----|-----------------------------------|------------------------|---|-------|-------|---------------------------------|--------------------------|------|-----------------|------|----------------------------|-----|-------|-----|---------------------------|---|---|
| | Model/ Modelo | HP | Capacity/ Capacidad Δ T=15K | Surface/ Superficie | N°xø | m³/h | Poles | Voltage/ Voltaje (V/50Hz) | Absorption/ Absorción | | *Dist. =10m | D | S | K.G | | | | A | L |
| | | | | | | | | | W | A | | | | | | | | | |
| HUC 4001Z03 MS | ZB15KQE-PFJ | 2 | 7.231 | 26 | 1x400 | 2722 | 6 | 1~220 | 125 | 0.62 | 40 | 3/8" | 3/4" | 85 | 13.42 | 4 | | | |
| HUC 4001Z03 MT | ZB15KQE-TFD | 2 | 7.231 | 26 | 1x400 | 2722 | 6 | 1~220 | 125 | 0.62 | 40 | 3/8" | 3/4" | 85 | 5.52 | 4 | | | |
| HUC 4501Z02 MS | ZB19KQE-PFJ | 2.5 | 10.188 | 26 | 1x450 | 4362 | 6 | 1~220 | 260 | 1.20 | 49 | 3/8" | 3/4" | 88 | 13.60 | 4 | | | |
| HUC 4501Z02 MT | ZB19KQE-TFD | 2.5 | 10.188 | 26 | 1x450 | 4362 | 6 | 1~220 | 260 | 1.20 | 49 | 3/8" | 3/4" | 88 | 7.70 | 4 | | | |
| HUC 4501Z03 MS | ZB21KQE-PFJ | 3 | 12.672 | 39 | 1x450 | 4231 | 6 | 1~220 | 260 | 1.20 | 49 | 3/8" | 3/4" | 91 | 17.62 | 4 | | | |
| HUC 4501Z03 MT | ZB21KQE-TFD | 3 | 12.672 | 39 | 1x450 | 4231 | 6 | 1~220 | 260 | 1.20 | 49 | 3/8" | 3/4" | 91 | 8.35 | 4 | | | |
| HUC 4501Z03 MT | ZB26KQE-TFD | 3.5 | 12.672 | 39 | 1x450 | 4231 | 6 | 1~220 | 260 | 1.20 | 49 | 1/2" | 3/4" | 93 | 10.05 | 4 | | | |
| HUC 4502Z02 MT | ZB29KQE-TFD | 4 | 17.759 | 41 | 2x450 | 8537 | 6 | 1~220 | 520 | 2.40 | 52 | 1/2" | 7/8" | 126 | 12.40 | 6 | | | |
| HUC 4502Z03 MT | ZB38KQE-TFD | 5 | 23.254 | 62 | 2x450 | 8175 | 6 | 1~220 | 520 | 2.40 | 52 | 1/2" | 7/8" | 141 | 15.20 | 6 | | | |
| HUC 4502Z04 MT | ZB45KQE-TFD | 6 | 26.533 | 83 | 2x450 | 7825 | 6 | 1~220 | 520 | 2.40 | 52 | 1/2" | 7/8" | 148 | 15.50 | 8 | | | |
| HUC 4502Z04 MT | ZB48KQE-TFD | 7 | 26.533 | 83 | 2x450 | 7825 | 6 | 1~220 | 520 | 2.40 | 52 | 1/2" | 7/8" | 155 | 16.40 | 8 | | | |
| HUC 5002Z04 MT | ZB58KQE-TFD | 8 | 30.789 | 100 | 2x500 | 8950 | 6 | 1~220 | 580 | 2.60 | 54 | 5/8" | 1 1/8" | 162 | 18.50 | 10 | | | |
| HUC 5002Z05 MT | ZB66KQE-TFD | 9 | 32.692 | 125 | 2x500 | 8610 | 6 | 1~220 | 580 | 2.60 | 53 | 5/8" | 1 1/8" | 163 | 20.10 | 10 | | | |
| HUC 4504Z03 MT | ZB76KQE-TFD | 10 | 40.714 | 94 | 4x450 | 15200 | 6 | 1~220 | 1040 | 4.80 | 49 | 7/8" | 1 3/8" | 317 | 25.20 | 15 | | | |
| HUC 5004Z04 MT | ZB95KQE-TFD | 13 | 47.429 | 126 | 4x500 | 15308 | 6 | 1~220 | 1160 | 5.20 | 56 | 7/8" | 1 3/8" | 325 | 36.20 | 15 | | | |
| HUC 5004Z04 MT | ZB114KQE-TFD | 15 | 47.429 | 126 | 4x500 | 15308 | 6 | 1~220 | 1160 | 5.20 | 54 | 7/8" | 1 3/8" | 331 | 38.70 | 20 | | | |

The noise levels refer to the average value recored during 24h of daily functioning with fan motors controlled speed, standard housing sound absorption and compressor jacket (optional items). Alternative conditions may produce different results. /

Los niveles de ruido se refieren al valor promedio registrado durante 24 horas de funcionamiento con ventiladores, velocidad controlada, absorción de sonido con gabinete estándar y chaqueta para compresor (ítems opcionales). Las condiciones alternativas pueden producir diferentes resultados.

Refrigeration capacity/ Capacidad de refrigeración

| HMBP R404A | Compressor/ Compresor | | Performance/ Rendimiento (kW) | | | |
|----------------|--------------------------|-----|---|-------|-------|-------|
| | Model/ Modelo | HP | Evaporating Temperature/ Temperatura de evaporación (°C) | | | |
| | | | -5°C | -10°C | -15°C | -20°C |
| HUC 4001Z03 MS | ZB15KQE-PFJ | 2 | 3.80 | 3.17 | 2.61 | 2.13 |
| HUC 4001Z03 MT | ZB15KQE-TFD | 2 | 3.60 | 2.95 | 2.37 | 1.84 |
| HUC 4501Z02 MS | ZB19KQE-PFJ | 2.5 | 4.39 | 3.65 | 3.01 | 2.46 |
| HUC 4501Z02 MT | ZB19KQE-TFD | 2.5 | 4.58 | 3.81 | 3.14 | 2.56 |
| HUC 4501Z03 MS | ZB21KQE-PFJ | 3 | 5.62 | 4.67 | 3.85 | 3.14 |
| HUC 4501Z03 MT | ZB21KQE-TFD | 3 | 5.50 | 4.58 | 3.77 | 3.08 |
| HUC 4501Z03 MT | ZB26KQE-TFD | 3.5 | 6.43 | 5.35 | 4.41 | 3.60 |
| HUC 4502Z02 MT | ZB29KQE-TFD | 4 | 7.46 | 6.21 | 5.12 | 4.17 |
| HUC 4502Z03 MT | ZB38KQE-TFD | 5 | 9.42 | 7.83 | 6.46 | 5.26 |
| HUC 4502Z04 MT | ZB45KQE-TFD | 6 | 11.05 | 9.17 | 7.56 | 6.17 |
| HUC 4502Z04 MT | ZB48KQE-TFD | 7 | 12.15 | 10.10 | 8.23 | 6.78 |
| HUC 5002Z04 MT | ZB58KQE-TFD | 8 | 14.70 | 12.10 | 9.68 | 7.41 |
| HUC 5002Z05 MT | ZB66KQE-TFD | 9 | 16.45 | 13.70 | 11.30 | 9.16 |
| HUC 4504Z03 MT | ZB76KQE-TFD | 10 | 19.60 | 16.25 | 13.30 | 10.65 |
| HUC 5004Z04 MT | ZB95KQE-TFD | 13 | 23.90 | 19.60 | 15.60 | - |
| HUC 5004Z04 MT | ZB114KQE-TFD | 15 | 28.40 | 23.10 | 18.35 | - |

Test condition: Ambient temperature: 35°C, Condensing temperature: 50°C /
Condiciones de prueba: temperatura ambiente: 35°C, temperatura de condensación: 50°C

HUC CONDENSING UNIT

UNIDAD CONDENSADORA HUC



Electric data/ Datos eléctricos

| LBP R404A | Compressor/ Compresor | | Condenser/ Condensador | | Axial fan motor/ Ventilador de motor axial | | | | | | Noise/ ruido | | Pipe Fittings/ Tuberías | | N.W | MOC | Liquid Receiver Volume | | |
|----------------|--------------------------|-----|-----------------------------------|------------------------|---|------|-------|---------------------------------|--------------------------|------|-----------------|------|----------------------------|-----|-------|-----|---------------------------|---|---|
| | Model/ Modelo | HP | Capacity/ Capacidad Δ T=15K | Surface/ Superficie | N°xø | m³/h | Poles | Voltage/ Voltaje (V/50Hz) | Absorption/ Absorción | | *Dist. =10m | D | S | K.G | | | | A | L |
| | | | | | | | | | W | A | | | | | | | | | |
| HUC 4501Z02 LS | ZSI06KQE-PFS | 2 | 10.188 | 26 | 1x450 | 4362 | 6 | 1~220 | 260 | 1.20 | 53 | 3/8" | 3/4" | 80 | 14.80 | 4 | | | |
| HUC 4501Z02 LT | ZSI06KQE-TFP | 2 | 10.188 | 26 | 1x450 | 4362 | 6 | 1~220 | 260 | 1.20 | 52 | 3/8" | 3/4" | 80 | 6.90 | 4 | | | |
| HUC 4501Z02 LS | ZSI08KQE-PFS | 2.5 | 10.188 | 26 | 1x450 | 4362 | 6 | 1~220 | 260 | 1.20 | 52 | 3/8" | 3/4" | 82 | 16.80 | 4 | | | |
| HUC 4501Z02 LT | ZSI08KQE-TFP | 2.5 | 10.188 | 26 | 1x450 | 4362 | 6 | 1~220 | 260 | 1.20 | 52 | 3/8" | 3/4" | 82 | 7.30 | 4 | | | |
| HUC 4501Z02 LT | ZSI09KQE-TFP | 3 | 10.188 | 26 | 1x450 | 4362 | 6 | 1~220 | 260 | 1.20 | 52 | 3/8" | 3/4" | 84 | 7.90 | 4 | | | |
| HUC 4501Z02 LT | ZSI11KQE-TFP | 3.5 | 10.188 | 26 | 1x450 | 4362 | 6 | 1~220 | 260 | 1.20 | 55 | 1/2" | 7/8" | 88 | 8.70 | 4 | | | |
| HUC 4501Z03 LT | ZSI14KQE-TFP | 4.5 | 12.672 | 39 | 1x450 | 4231 | 6 | 1~220 | 260 | 1.20 | 57 | 1/2" | 7/8" | 100 | 10.40 | 6 | | | |
| HUC 4502Z02 LT | ZSI15KQE-TFP | 5 | 17.759 | 41 | 2x450 | 8537 | 6 | 1~220 | 520 | 2.40 | 58 | 1/2" | 7/8" | 125 | 14.30 | 6 | | | |
| HUC 4502Z02 LT | ZSI18KQE-TFP | 6 | 17.759 | 41 | 2x450 | 8537 | 6 | 1~220 | 520 | 2.40 | 59 | 1/2" | 7/8" | 128 | 15.60 | 8 | | | |
| HUC 4502Z03 LT | ZSI21KQE-TFP | 7 | 23.254 | 62 | 2x450 | 8175 | 6 | 1~220 | 520 | 2.40 | 59 | 1/2" | 7/8" | 139 | 17.00 | 8 | | | |

The noise levels refer to the average value recored during 24h of daily functioning with fan motors controlled speed, standard housing sound absorption and compressor jacket (optional items). Alternative conditions may produce different results. /

Los niveles de ruido se refieren al valor promedio registrado durante 24 horas de funcionamiento con ventiladores, velocidad controlada, absorción de sonido con gabinete estándar y chaqueta para compresor (ítems opcionales). Las condiciones alternativas pueden producir diferentes resultados.

Refrigeration capacity/ Capacidad de refrigeración

| LBP R404A | Compressor/ Compresor | | Performance/ Rendimiento (kW) | | | | |
|----------------|--------------------------|-----|---|-------|-------|-------|-------|
| | Model/ Modelo | HP | Evaporating Temperature/ Temperatura de evaporación (°C) | | | | |
| | | | -10°C | -15°C | -20°C | -25°C | -30°C |
| HUC 4501Z02 LS | ZSI06KQE-PFS | 2 | 3.31 | 2.73 | 2.24 | 1.82 | 1.47 |
| HUC 4501Z02 LT | ZSI06KQE-TFP | 2 | 3.18 | 2.60 | 2.11 | 1.69 | 1.33 |
| HUC 4501Z02 LS | ZSI08KQE-PFS | 2.5 | 3.39 | 3.25 | 2.66 | 2.15 | 1.72 |
| HUC 4501Z02 LT | ZSI08KQE-TFP | 2.5 | 3.85 | 3.17 | 2.59 | 2.11 | 1.71 |
| HUC 4501Z02 LT | ZSI09KQE-TFP | 3 | 4.29 | 3.55 | 2.90 | 2.32 | 1.80 |
| HUC 4501Z02 LT | ZSI11KQE-TFP | 3.5 | 5.54 | 4.61 | 3.82 | 3.10 | 2.42 |
| HUC 4501Z03 LT | ZSI14KQE-TFP | 4.5 | 7.02 | 5.79 | 4.73 | 3.83 | 3.07 |
| HUC 4502Z02 LT | ZSI15KQE-TFP | 5 | 7.93 | 6.64 | 5.52 | 4.51 | 3.54 |
| HUC 4502Z02 LT | ZSI18KQE-TFP | 6 | 9.63 | 8.01 | 6.62 | 5.41 | 4.38 |
| HUC 4502Z03 LT | ZSI21KQE-TFP | 7 | 10.78 | 8.97 | 7.39 | 6.05 | 4.91 |

Test condition: Ambient temperature: 35°C, Condensing temperature: 50°C /
Condiciones de prueba: temperatura ambiente: 35°C, temperatura de condensación: 50°C

HUC CONDENSING UNIT

UNIDAD CONDENSADORA HUC



Electric data/ Datos eléctricos

| HMBP R404A | Compressor/ Compresor | | Condenser/ Condensador | | Axial fan motor/ Ventilador de motor axial | | | | | | Noise/ ruido | | Pipe Fittings/ Tuberías | | N.W | MOC | Liquid Receiver Volume | | |
|----------------|--------------------------|-----|-----------------------------------|------------------------|---|------|-------|---------------------------------|--------------------------|------|-----------------|------|----------------------------|-----|-------|-----|---------------------------|---|---|
| | Model/ Modelo | HP | Capacity/ Capacidad Δ T=15K | Surface/ Superficie | N°xø | m³/h | Poles | Voltage/ Voltaje (V/50Hz) | Absorption/ Absorción | | *Dist =10m | D | S | K.G | | | | A | L |
| | | | | | | | | | W | A | | | | | | | | | |
| HUC 3501Z01 MS | AE4460Z | 1/2 | 2.517 | 5 | 1x350 | 2048 | 6 | 1~220 | 120 | 0.56 | 41 | 3/8" | 1/2" | 53 | 5.76 | 1 | | | |
| HUC 3501Z02 MS | CAJ9480Z | 3/4 | 4.27 | 10 | 1x350 | 1947 | 6 | 1~220 | 120 | 0.56 | 46 | 3/8" | 1/2" | 63 | 7.16 | 1 | | | |
| HUC 3501Z02 MS | CAJ9510Z | 1 | 4.27 | 10 | 1x350 | 1947 | 6 | 1~220 | 120 | 0.56 | 46 | 3/8" | 5/8" | 65 | 8.56 | 2 | | | |
| HUC 4001Z02 MT | TAJ4519Z | 1.5 | 5.514 | 17 | 1x400 | 2841 | 6 | 1~220 | 125 | 0.62 | 44 | 3/8" | 5/8" | 85 | 5.42 | 2 | | | |
| HUC 4001Z03 MT | TFH4524Z | 2 | 7.231 | 26 | 1x400 | 2722 | 6 | 1~220 | 125 | 0.62 | 54 | 3/8" | 5/8" | 90 | 6.92 | 4 | | | |
| HUC 4501Z03 MT | TFH4540Z | 3 | 12.672 | 39 | 1x450 | 4231 | 6 | 1~220 | 260 | 1.20 | 59 | 3/8" | 7/8" | 108 | 10.40 | 4 | | | |
| HUC 4502Z02 MT | TAG4546Z | 4 | 17.759 | 41 | 2x450 | 8537 | 6 | 1~220 | 520 | 2.40 | 63 | 1/2" | 7/8" | 126 | 13.80 | 6 | | | |
| HUC 4502Z03 MT | TAG4561Z | 5 | 23.254 | 62 | 2x450 | 8175 | 6 | 1~220 | 520 | 2.40 | 64 | 1/2" | 7/8" | 141 | 16.40 | 6 | | | |
| HUC 4502Z04 MT | TAG4568Z | 6 | 26.533 | 83 | 2x450 | 7825 | 6 | 1~220 | 520 | 2.40 | 64 | 1/2" | 7/8" | 148 | 17.60 | 8 | | | |
| HUC 4502Z04 MT | TAG4573Z | 7 | 26.533 | 83 | 2x450 | 7825 | 6 | 1~220 | 520 | 2.40 | 63 | 1/2" | 7/8" | 155 | 20.40 | 8 | | | |

The noise levels refer to the average value recored during 24h of daily functioning with fan motors controlled speed, standard housing sound absorption and compressor jacket (optional items). Alternative conditions may produce different results. /

Los niveles de ruido se refieren al valor promedio registrado durante 24 horas de funcionamiento con ventiladores, velocidad controlada, absorción de sonido con gabinete estándar y chaqueta para compresor (items opcionales). Las condiciones alternativas pueden producir diferentes resultados.

Refrigeration capacity/ Capacidad de refrigeración

| HMBP R404A | Compressor/ Compresor | | Performance/ Rendimiento (kW) | | | | |
|------------------|--------------------------|------|---|-------|-------|-------|------|
| | | | Evaporating Temperature/ Temperatura de evaporación (°C) | | | | |
| Model/ Modelo | HP | +5°C | 0°C | -5°C | -10°C | -15°C | |
| HUC 3501Z01 MS | AE4460Z | 1/2 | 1.36 | 1.14 | 0.95 | 0.78 | 0.64 |
| HUC 3501Z02 MS | CAJ9480Z | 3/4 | 1.69 | 1.35 | 1.06 | 0.83 | 0.63 |
| HUC 3501Z02 MS | CAJ9510Z | 1 | 2.11 | 1.68 | 1.33 | 1.04 | 0.80 |
| HUC 4001Z02 MT | TAJ4519Z | 1.5 | 3.81 | 3.07 | 2.44 | 1.91 | 1.45 |
| HUC 4001Z03 MT | TFH4524Z | 2 | 4.70 | 3.70 | 2.86 | 2.13 | 1.52 |
| HUC 4501Z03 MT | TFH4540Z | 3 | 7.58 | 6.06 | 4.77 | 3.68 | 2.73 |
| HUC 4502Z02 MT | TAG4546Z | 4 | 8.86 | 6.81 | 5.13 | 3.75 | 2.63 |
| HUC 4502Z03 MT | TAG4561Z | 5 | 11.03 | 8.62 | 6.62 | 4.95 | 3.56 |
| HUC 4502Z04 MT | TAG4568Z | 6 | 12.95 | 10.21 | 7.92 | 6.00 | 4.40 |
| HUC 4502Z04 MT | TAG4573Z | 7 | 13.80 | 10.88 | 8.47 | 6.46 | 4.80 |

Test condition: Ambient temperature: 35°C, Condensing temperature: 50°C /
Condiciones de prueba: temperatura ambiente: 35°C, temperatura de condensación: 50°C

HUC CONDENSING UNIT

UNIDAD CONDENSADORA HUC



Electric data/ Datos eléctricos

| LBP R404A | Compressor/ Compresor | | Condenser/ Condensador | | Axial fan motor/ Ventilador de motor axial | | | | | | Noise/ ruido | | Pipe Fittings/ Tuberías | | N.W | MOC | Liquid Receiver Volume | | |
|----------------|--------------------------|-----|-----------------------------------|------------------------|---|------|-------|---------------------------------|--------------------------|------|-----------------|------|----------------------------|-----|-------|-----|---------------------------|---|---|
| | Model/ Modelo | HP | Capacity/ Capacidad Δ T=15K | Surface/ Superficie | N°xø | m³/h | Poles | Voltage/ Voltaje (V/50Hz) | Absorption/ Absorción | | *Dist =10m | D | S | K.G | | | | A | L |
| | | | | | | | | | W | A | | | | | | | | | |
| HUC 3501Z01 LS | AE2420Z | 1/2 | 2.517 | 5 | 1x350 | 2048 | 6 | 1~220 | 120 | 0.56 | 40 | 3/8" | 1/2" | 52 | 4.96 | 1 | | | |
| HUC 3501Z01 LS | CAJ2432Z | 3/4 | 2.517 | 5 | 1x350 | 2048 | 6 | 1~220 | 120 | 0.56 | 40 | 3/8" | 1/2" | 62 | 6.86 | 1 | | | |
| HUC 3501Z02 LS | CAJ2446Z | 1 | 4.27 | 10 | 1x350 | 1947 | 6 | 1~220 | 120 | 0.56 | 45 | 3/8" | 5/8" | 64 | 8.46 | 2 | | | |
| HUC 3501Z03 LT | TAJ2464Z | 1.5 | 5.437 | 15 | 1x350 | 1861 | 6 | 1~220 | 120 | 0.56 | 50 | 3/8" | 5/8" | 65 | 3.86 | 2 | | | |
| HUC 4001Z02 LT | TFH2480Z | 2 | 5.514 | 17 | 1x400 | 2841 | 6 | 1~220 | 125 | 0.62 | 51 | 3/8" | 5/8" | 88 | 5.42 | 4 | | | |
| HUC 4001Z03 LT | TFH2511Z | 3 | 7.231 | 26 | 1x400 | 2722 | 6 | 1~220 | 125 | 0.62 | 57 | 3/8" | 5/8" | 90 | 5.62 | 4 | | | |
| HUC 4501Z03 LT | TAG2516Z | 4 | 12.672 | 39 | 1x450 | 4231 | 6 | 1~220 | 260 | 1.20 | 55 | 1/2" | 7/8" | 116 | 11.01 | 6 | | | |
| HUC 4502Z03 LT | TAG2522Z | 6 | 23.254 | 62 | 2x450 | 8175 | 6 | 1~220 | 520 | 2.40 | 58 | 1/2" | 7/8" | 143 | 14.90 | 8 | | | |

The noise levels refer to the average value recored during 24h of daily functioning with fan motors controlled speed, standard housing sound absorption and compressor jacket (optional items). Alternative conditions may produce different results. /

Los niveles de ruido se refieren al valor promedio registrado durante 24 horas de funcionamiento con ventiladores, velocidad controlada, absorción de sonido con gabinete estándar y chaqueta para compresor (items opcionales). Las condiciones alternativas pueden producir diferentes resultados.

Refrigeration capacity/ Capacidad de refrigeración

| LBP R404A | Compressor/ Compresor | | Performance/ Rendimiento (kW) | | | | |
|------------------|--------------------------|-------|---|-------|-------|-------|------|
| | | | Evaporating Temperature/ Temperatura de evaporación (°C) | | | | |
| Model/ Modelo | HP | -10°C | -15°C | -20°C | -25°C | -30°C | |
| HUC 3501Z01 LS | AE2420Z | 1/2 | 0.57 | 0.44 | 0.34 | 0.25 | 0.18 |
| HUC 3501Z01 LS | CAJ2432Z | 3/4 | 1.00 | 0.76 | 0.56 | 0.40 | 0.28 |
| HUC 3501Z02 LS | CAJ2446Z | 1 | 1.45 | 1.13 | 0.86 | 0.64 | 0.45 |
| HUC 3501Z03 LT | TAJ2464Z | 1.5 | 1.86 | 1.45 | 1.10 | 0.82 | 0.60 |
| HUC 4001Z02 LT | TFH2480Z | 2 | 2.70 | 2.11 | 1.61 | 1.18 | 0.81 |
| HUC 4001Z03 LT | TFH2511Z | 3 | 3.90 | 2.97 | 2.20 | 1.59 | 1.09 |
| HUC 4501Z03 LT | TAG2516Z | 4 | 5.67 | 4.32 | 3.21 | 2.30 | 1.59 |
| HUC 4502Z03 LT | TAG2522Z | 6 | 6.98 | 5.29 | 3.92 | 2.83 | 1.95 |

Test condition: Ambient temperature: 35°C, Condensing temperature: 50°C /
Condiciones de prueba: temperatura ambiente: 35°C, temperatura de condensación: 50°C

HUC CONDENSING UNIT

UNIDAD CONDENSADORA HUC

Electric data/ Datos eléctricos



| HMBP R404A | Compressor/ Compresor | | Condenser/ Condensador | | Axial fan motor/ Ventilador de motor axial | | | | | | Noise/ ruido *Dist. =10m | Pipe Fittings/ Tuberías | | N.W K.G | MOC A | Liquid Receiver Volume L |
|----------------|--------------------------|-----|---|------------------------------|---|------|-------|---------------------------------|--------------------------|------|-----------------------------------|----------------------------|--------|------------|----------|--------------------------------|
| | Model/ Modelo | HP | Capacity/ Capacidad Δ T=15K kW | Surface/ Superficie M² | N°xø | m³/h | Poles | Voltage/ Voltaje (V/50Hz) | Absorption/ Absorción | | | D | S | | | |
| | | | | | | | | | W | A | | | | | | |
| HUC 4001Z03 MS | YM34E2G-100 | 2 | 7.231 | 26 | 1x400 | 2722 | 6 | 1~220 | 125 | 0.62 | 40 | 3/8" | 7/8" | 85 | 16.82 | 4 |
| HUC 4001Z03 MT | YM34E1G-100 | 2 | 7.231 | 26 | 1x400 | 2722 | 6 | 1~220 | 125 | 0.62 | 40 | 3/8" | 7/8" | 85 | 5.82 | 4 |
| HUC 4501Z02 MS | YM43E2G-100 | 2.5 | 10.188 | 26 | 1x450 | 4362 | 6 | 1~220 | 260 | 1.20 | 49 | 3/8" | 7/8" | 88 | 18.40 | 4 |
| HUC 4501Z02 MT | YM43E1G-100 | 2.5 | 10.188 | 26 | 1x450 | 4362 | 6 | 1~220 | 260 | 1.20 | 49 | 3/8" | 7/8" | 88 | 7.80 | 4 |
| HUC 4501Z03 MS | YM49E2G-100 | 3 | 12.672 | 39 | 1x450 | 4231 | 6 | 1~220 | 260 | 1.20 | 49 | 1/2" | 7/8" | 91 | 20.20 | 4 |
| HUC 4501Z03 MT | YM49E1G-100 | 3 | 12.672 | 39 | 1x450 | 4231 | 6 | 1~220 | 260 | 1.20 | 49 | 1/2" | 7/8" | 91 | 10.20 | 4 |
| HUC 4502Z02 MT | YM70E1G-100 | 4 | 17.759 | 41 | 2x450 | 8537 | 6 | 1~220 | 520 | 2.40 | 49 | 1/2" | 7/8" | 126 | 12.40 | 6 |
| HUC 4502Z03 MT | YM86E1G-100 | 5 | 23.254 | 62 | 2x450 | 8175 | 6 | 1~220 | 520 | 2.40 | 49 | 1/2" | 7/8" | 141 | 15.20 | 6 |
| HUC 4502Z04 MT | YM102E1G-100 | 6 | 26.533 | 83 | 2x450 | 7825 | 6 | 1~220 | 520 | 2.40 | 49 | 1/2" | 7/8" | 148 | 16.90 | 8 |
| HUC 4502Z04 MT | YM125E1G-100 | 7 | 26.533 | 83 | 2x450 | 7825 | 6 | 1~220 | 520 | 2.40 | 49 | 5/8" | 1 1/8" | 155 | 19.70 | 8 |
| HUC 5002Z04 MT | YM132E1G-100 | 8 | 30.789 | 100 | 2x500 | 8950 | 6 | 1~220 | 580 | 2.60 | 51 | 5/8" | 1 1/8" | 162 | 21.00 | 10 |
| HUC 5002Z05 MT | YM158E1G-100 | 9 | 32.692 | 125 | 2x500 | 8610 | 6 | 1~220 | 580 | 2.60 | 50 | 5/8" | 1 1/8" | 163 | 23.60 | 10 |
| HUC 5002Z05 MT | YM182E1G-100 | 10 | 32.692 | 125 | 2x500 | 8610 | 6 | 1~220 | 946 | 4.34 | 50 | 5/8" | 1 1/8" | 165 | 27.94 | 10 |

The noise levels refer to the average value recored during 24h of daily functioning with fan motors controlled speed, standard housing sound absorption and compressor jacket (optional items). Alternative conditions may produce different results. /

Los niveles de ruido se refieren al valor promedio registrado durante 24 horas de funcionamiento con ventiladores, velocidad controlada, absorción de sonido con gabinete estándar y chaqueta para compresor (ítems opcionales). Las condiciones alternativas pueden producir diferentes resultados.

Refrigeration capacity/ Capacidad de refrigeración

| HMBP R404A | Compressor/ Compresor | | Performance/ Rendimiento (kW) | | | | | |
|----------------|--------------------------|-----|---|-------|-------|-------|-------|-------|
| | Model/ Modelo | HP | Evaporating Temperature/ Temperatura de evaporación (°C) | | | | | |
| | | | +5°C | 0°C | -5°C | -10°C | -15°C | -20°C |
| HUC 4001Z03 MS | YM34E2G-100 | 2 | 5.48 | 4.64 | 3.91 | 3.28 | 2.73 | 2.25 |
| HUC 4001Z03 MT | YM34E1G-100 | 2 | 5.48 | 4.64 | 3.91 | 3.28 | 2.73 | 2.25 |
| HUC4501Z02 MS | YM43E2G-100 | 2.5 | 6.55 | 5.54 | 4.67 | 3.92 | 3.26 | 2.69 |
| HUC 4501Z02 MT | YM43E1G-100 | 2.5 | 6.55 | 5.54 | 4.67 | 3.92 | 3.26 | 2.69 |
| HUC 4501Z03 MS | YM49E2G-100 | 3 | 7.46 | 6.32 | 5.32 | 4.46 | 3.72 | 3.07 |
| HUC 4501Z03 MT | YM49E1G-100 | 3 | 7.46 | 6.32 | 5.32 | 4.46 | 3.72 | 3.07 |
| HUC 4502Z02 MT | YM70E1G-100 | 4 | 10.66 | 9.02 | 7.60 | 6.38 | 5.31 | 4.38 |
| HUC 4502Z03 MT | YM86E1G-100 | 5 | 13.10 | 11.09 | 9.34 | 7.83 | 6.53 | 5.38 |
| HUC 4502Z04 MT | YM102E1G-100 | 6 | 15.54 | 13.15 | 11.08 | 9.29 | 7.74 | 6.39 |
| HUC 4502Z04 MT | YM125E1G-100 | 7 | 19.04 | 16.11 | 13.58 | 11.39 | 9.49 | 7.83 |
| HUC 5002Z04 MT | YM132E1G-100 | 8 | 20.11 | 17.02 | 14.34 | 12.02 | 10.02 | 8.26 |
| HUC 5002Z05 MT | YM158E1G-100 | 9 | 24.68 | 20.88 | 17.60 | 14.76 | 12.29 | 10.14 |
| HUC 5002Z05 MT | YM182E1G-100 | 10 | 27.72 | 23.46 | 19.77 | 16.58 | 13.81 | 11.40 |

Test condition: Ambient temperature: 35°C, Condensing temperature: 50°C /
Condiciones de prueba: temperatura ambiente: 35°C, temperatura de condensación: 50°C

HUC CONDENSING UNIT

UNIDAD CONDENSADORA HUC

Electric data/ Datos eléctricos



| LBP R404A | Compressor/ Compresor | | Condenser/ Condensador | | Axial fan motor/ Ventilador de motor axial | | | | | | Noise/ ruido *Dist. =10m | Pipe Fittings/ Tuberías | | N.W K.G | MOC A | Liquid Receiver Volume L |
|----------------|--------------------------|-----|---|------------------------------|---|------|-------|---------------------------------|--------------------------|------|-----------------------------------|----------------------------|------|------------|----------|--------------------------------|
| | Model/ Modelo | HP | Capacity/ Capacidad Δ T=15K kW | Surface/ Superficie M² | N°xø | m³/h | Poles | Voltage/ Voltaje (V/50Hz) | Absorption/ Absorción | | | D | S | | | |
| | | | | | | | | | W | A | | | | | | |
| HUC 4501Z02 LS | YF13E2G-Q102 | 2 | 10.188 | 26 | 1x450 | 4362 | 6 | 1~220 | 260 | 1.20 | 53 | 3/8" | 7/8" | 80 | 14.60 | 4 |
| HUC 4501Z02 LT | YF13E1G-Q102 | 2 | 10.188 | 26 | 1x450 | 4362 | 6 | 1~220 | 260 | 1.20 | 52 | 3/8" | 7/8" | 80 | 5.20 | 4 |
| HUC 4501Z02 LS | YF17E2G-Q102 | 2.5 | 10.188 | 26 | 1x450 | 4362 | 6 | 1~220 | 260 | 1.20 | 52 | 3/8" | 7/8" | 82 | 15.40 | 4 |
| HUC 4501Z02 LT | YF17E1G-Q102 | 2.5 | 10.188 | 26 | 1x450 | 4362 | 6 | 1~220 | 260 | 1.20 | 52 | 3/8" | 7/8" | 82 | 6.40 | 4 |
| HUC 4501Z02 LS | YF20E2G-Q102 | 3 | 10.188 | 26 | 1x450 | 4362 | 6 | 1~220 | 260 | 1.20 | 52 | 1/2" | 7/8" | 84 | 17.40 | 4 |
| HUC 4501Z02 LT | YF20E1G-Q102 | 3 | 10.188 | 26 | 1x450 | 4362 | 6 | 1~220 | 260 | 1.20 | 52 | 1/2" | 7/8" | 84 | 7.00 | 4 |
| HUC 4501Z03 LT | YF29E1G-Q102 | 4 | 12.672 | 39 | 1x450 | 4231 | 6 | 1~220 | 260 | 1.20 | 57 | 1/2" | 7/8" | 100 | 10.00 | 6 |
| HUC 4502Z02 LT | YF35E1G-Q102 | 5 | 17.759 | 41 | 2x450 | 8537 | 6 | 1~220 | 520 | 2.40 | 58 | 1/2" | 7/8" | 125 | 12.70 | 6 |
| HUC 4502Z03 LT | YF41E1G-Q102 | 6 | 23.254 | 62 | 2x450 | 8175 | 6 | 1~220 | 520 | 2.40 | 59 | 1/2" | 7/8" | 128 | 14.50 | 8 |

The noise levels refer to the average value recored during 24h of daily functioning with fan motors controlled speed, standard housing sound absorption and compressor jacket (optional items). Alternative conditions may produce different results. /

Los niveles de ruido se refieren al valor promedio registrado durante 24 horas de funcionamiento con ventiladores, velocidad controlada, absorción de sonido con gabinete estándar y chaqueta para compresor (ítems opcionales). Las condiciones alternativas pueden producir diferentes resultados.

Refrigeration capacity/ Capacidad de refrigeración

| LBP R404A | Compressor/ Compresor | | Performance/ Rendimiento (kW) | | | | |
|----------------|--------------------------|-----|---|-------|-------|-------|-------|
| | Model/ Modelo | HP | Evaporating Temperature/ Temperatura de evaporación (°C) | | | | |
| | | | -10°C | -15°C | -20°C | -25°C | -30°C |
| HUC 4501Z02 LS | YF13E2G-Q102 | 2 | 2.94 | 2.45 | 2.02 | 1.66 | 1.34 |
| HUC 4501Z02 LT | YF13E1G-Q102 | 2 | 2.94 | 2.45 | 2.02 | 1.66 | 1.34 |
| HUC 4501Z02 LS | YF17E2G-Q102 | 2.5 | 3.75 | 3.13 | 2.58 | 2.12 | 1.72 |
| HUC 4501Z02 LT | YF17E1G-Q102 | 2.5 | 3.75 | 3.13 | 2.58 | 2.12 | 1.72 |
| HUC 4501Z02 LS | YF20E2G-Q102 | 3 | 4.41 | 3.67 | 3.04 | 2.48 | 2.02 |
| HUC 4501Z02 LT | YF20E1G-Q102 | 3 | 4.41 | 3.67 | 3.04 | 2.48 | 2.02 |
| HUC 4501Z03 LT | YF29E1G-Q102 | 4 | 6.67 | 5.56 | 4.59 | 3.76 | 3.05 |
| HUC 4502Z02 LT | YF35E1G-Q102 | 5 | 7.91 | 6.60 | 5.45 | 4.46 | 3.62 |
| HUC 4502Z03 LT | YF41E1G-Q102 | 6 | 9.27 | 7.73 | 6.38 | 5.22 | 4.24 |

Test condition: Ambient temperature: 35°C, Condensing temperature: 50°C /
Condiciones de prueba: temperatura ambiente: 35°C, temperatura de condensación: 50°C

HUC CONDENSING UNIT
UNIDAD CONDENSADORA HUC

FREQUENCY INVERTER
INVERSOR DE FRECUENCIA



Electric data/ Datos eléctricos

| HMBP R404A | Compressor/ Compresor | | Condenser/ Condensador | | Axial fan motor/ Ventilador de motor axial | | | | | | Pipe Fittings/ Tuberías | | N.W | MOC | Liquid Receiver Volume | |
|----------------|--------------------------|----|-----------------------------------|------------------------|---|------|-------|---------------------------------|--------------------------|------|----------------------------------|------|------|-----|---------------------------|------|
| | Model/ Modelo | HP | Capacity/ Capacidad Δ T=15K | Surface/ Superficie | N°xø | m³/h | Poles | Voltage/ Voltaje (V/50Hz) | Absorption/ Absorción | | Noise/ ruido *Dist =10m | D | | | | S |
| | | | | | | | | | W | A | | Inch | | | | Inch |
| HUC 4502Z02 MT | YIM38E1G-100 | 3 | 17.759 | 41 | 2x450 | 8537 | 6 | 1~220 | 520 | 2.40 | 53 | 3/8" | 7/8" | 126 | 15.7 | 4 |
| HUC 4502Z02 MT | YIM42E1G-100 | 4 | 17.759 | 41 | 2x450 | 8537 | 6 | 1~220 | 520 | 2.40 | 53 | 3/8" | 7/8" | 126 | 15.7 | 6 |
| HUC 4502Z02 MT | YIM50E1G-100 | 5 | 17.759 | 41 | 2x450 | 8537 | 6 | 1~220 | 520 | 2.40 | 53 | 1/2" | 7/8" | 126 | 15.7 | 6 |
| HUC 4502Z03 MT | YIM60E1G-100 | 6 | 23.254 | 62 | 2x450 | 8175 | 6 | 1~220 | 520 | 2.40 | 53 | 1/2" | 7/8" | 141 | 15.7 | 8 |
| HUC 4502Z04 MT | YIM72E1G-100 | 7 | 26.533 | 83 | 2x450 | 7825 | 6 | 1~220 | 520 | 2.40 | 53 | 1/2" | 7/8" | 148 | 18.4 | 8 |

The noise levels refer to the average value recored during 24h of daily functioning with fan motors controlled speed, standard housing sound absorption and compressor jacket (optional items). Alternative conditions may produce different results. /
Los niveles de ruido se refieren al valor promedio registrado durante 24 horas de funcionamiento con ventiladores, velocidad controlada, absorción de sonido con gabinete estándar y chaqueta para compresor (items opcionales). Las condiciones alternativas pueden producir diferentes resultados.

Refrigeration capacity/ Capacidad de refrigeración

| HMBP R404A | Compressor/ Compresor | | Performance/ Rendimiento (kW) | | | | | |
|----------------|--------------------------|----|---|-------|-------|-------|-------|------|
| | Model/ Modelo | HP | Evaporating Temperature/ Temperatura de evaporación (°C) | | | | | |
| +5°C | | | 0°C | -5°C | -10°C | -15°C | -20°C | |
| HUC 4502Z02 MT | YIM38E1G-100 | 3 | 8.99 | 7.71 | 6.57 | 5.55 | 4.57 | 3.60 |
| HUC 4502Z02 MT | YIM42E1G-100 | 4 | 9.94 | 8.52 | 7.27 | 6.13 | 5.05 | 3.98 |
| HUC 4502Z02 MT | YIM50E1G-100 | 5 | 11.83 | 10.14 | 8.65 | 7.30 | 6.02 | 4.74 |
| HUC 4502Z03 MT | YIM60E1G-100 | 6 | 14.20 | 12.17 | 10.38 | 8.76 | 7.22 | 5.69 |
| HUC 4502Z04 MT | YIM72E1G-100 | 7 | 17.04 | 14.60 | 12.46 | 10.51 | 8.66 | 6.83 |

Test condition: Ambient temperature: 35°C, Condensing temperature: 50°C /
Condiciones de prueba: temperatura ambiente: 35°C, temperatura de condensación: 50°C

HUC CONDENSING UNIT
UNIDAD CONDENSADORA HUC

FREQUENCY INVERTER
INVERSOR DE FRECUENCIA



Electric data/ Datos eléctricos

| LBP R404A | Compressor/ Compresor | | Condenser/ Condensador | | Axial fan motor/ Ventilador de motor axial | | | | | | Pipe Fittings/ Tuberías | | N.W | MOC | Liquid Receiver Volume | |
|----------------|--------------------------|----|-----------------------------------|------------------------|---|------|-------|---------------------------------|--------------------------|------|----------------------------------|------|------|-----|---------------------------|------|
| | Model/ Modelo | HP | Capacity/ Capacidad Δ T=15K | Surface/ Superficie | N°xø | m³/h | Poles | Voltage/ Voltaje (V/50Hz) | Absorption/ Absorción | | Noise/ ruido *Dist =10m | D | | | | S |
| | | | | | | | | | W | A | | Inch | | | | Inch |
| HUC 4502Z02 LT | YIF50E1G-Q100 | 5 | 17.759 | 41 | 2x450 | 8537 | 6 | 1~220 | 520 | 2.40 | 53 | 1/2" | 7/8" | 126 | 15.7 | 6 |
| HUC 4502Z03 LT | YIF60E1G-Q100 | 6 | 23.254 | 41 | 2x450 | 8175 | 6 | 1~220 | 520 | 2.40 | 53 | 1/2" | 7/8" | 126 | 15.7 | 8 |
| HUC 4502Z04 LT | YIF72E1G-Q100 | 7 | 26.533 | 41 | 2x450 | 7825 | 6 | 1~220 | 520 | 2.40 | 53 | 1/2" | 7/8" | 126 | 15.7 | 8 |

The noise levels refer to the average value recored during 24h of daily functioning with fan motors controlled speed, standard housing sound absorption and compressor jacket (optional items). Alternative conditions may produce different results. /
Los niveles de ruido se refieren al valor promedio registrado durante 24 horas de funcionamiento con ventiladores, velocidad controlada, absorción de sonido con gabinete estándar y chaqueta para compresor (items opcionales). Las condiciones alternativas pueden producir diferentes resultados.

Refrigeration capacity/ Capacidad de refrigeración

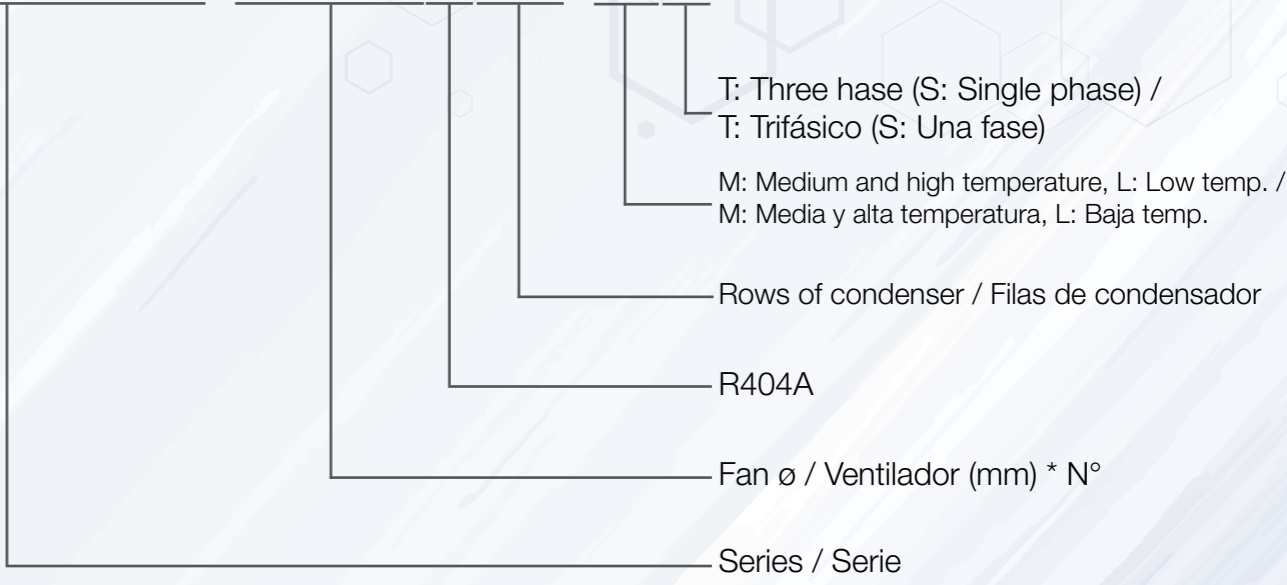
| LBP R404A | Compressor/ Compresor | | Performance/ Rendimiento (kW) | | | | |
|----------------|--------------------------|----|---|-------|-------|-------|------|
| | Model/ Modelo | HP | Evaporating Temperature/ Temperatura de evaporación (°C) | | | | |
| -10°C | | | -15°C | -20°C | -25°C | -30°C | |
| HUC 4502Z02 LT | YIF50E1G-Q100 | 5 | 7.31 | 6.10 | 5.04 | 4.12 | 3.34 |
| HUC 4502Z03 LT | YIF60E1G-Q100 | 6 | 8.77 | 7.32 | 6.04 | 4.94 | 4.01 |
| HUC 4502Z04 LT | YIF72E1G-Q100 | 7 | 10.53 | 8.78 | 7.25 | 5.93 | 4.81 |

Test condition: Ambient temperature: 35°C, Condensing temperature: 50°C /
Condiciones de prueba: temperatura ambiente: 35°C, temperatura de condensación: 50°C

www.pholod.com.ua



HUC PLUS 5002Z03 MT



www.pholod.com.ua

Inner-Grooved Copper Tubing:
The inside surface of copper tubing is grooved with inner slots to enlarge the contact surface area—increasing heat efficiency exchange by 10-12%.

Blue Fin Coating:
On outdoor units, Blue Fin coating helps protect the parts from corrosion.

Supported to the casing by means of a “floating” system that avoids any kind of contact between the copper tubes and the supporting end plates, assuring a long life for the condenser without leaks.

Tubos de cobre con ranuras interiores:
La superficie interna de la tubería de cobre está ranurada con ranuras internas para aumentar el intercambio de eficiencia de calor del área de contacto de superficie en un 10-12%.

Revestimiento de aleta azul:
En las unidades exteriores, el revestimiento Blue Fin ayuda a proteger las piezas de la corrosión.

Soportado a la carcasa por medio de un sistema “flotante” que evita cualquier tipo de contacto entre los tubos de cobre y las placas extremas de soporte, asegurando una larga vida útil del condensador sin fugas.

HUC PLUS CONDENSING UNIT
UNIDAD CONDENSADORA HUC PLUS

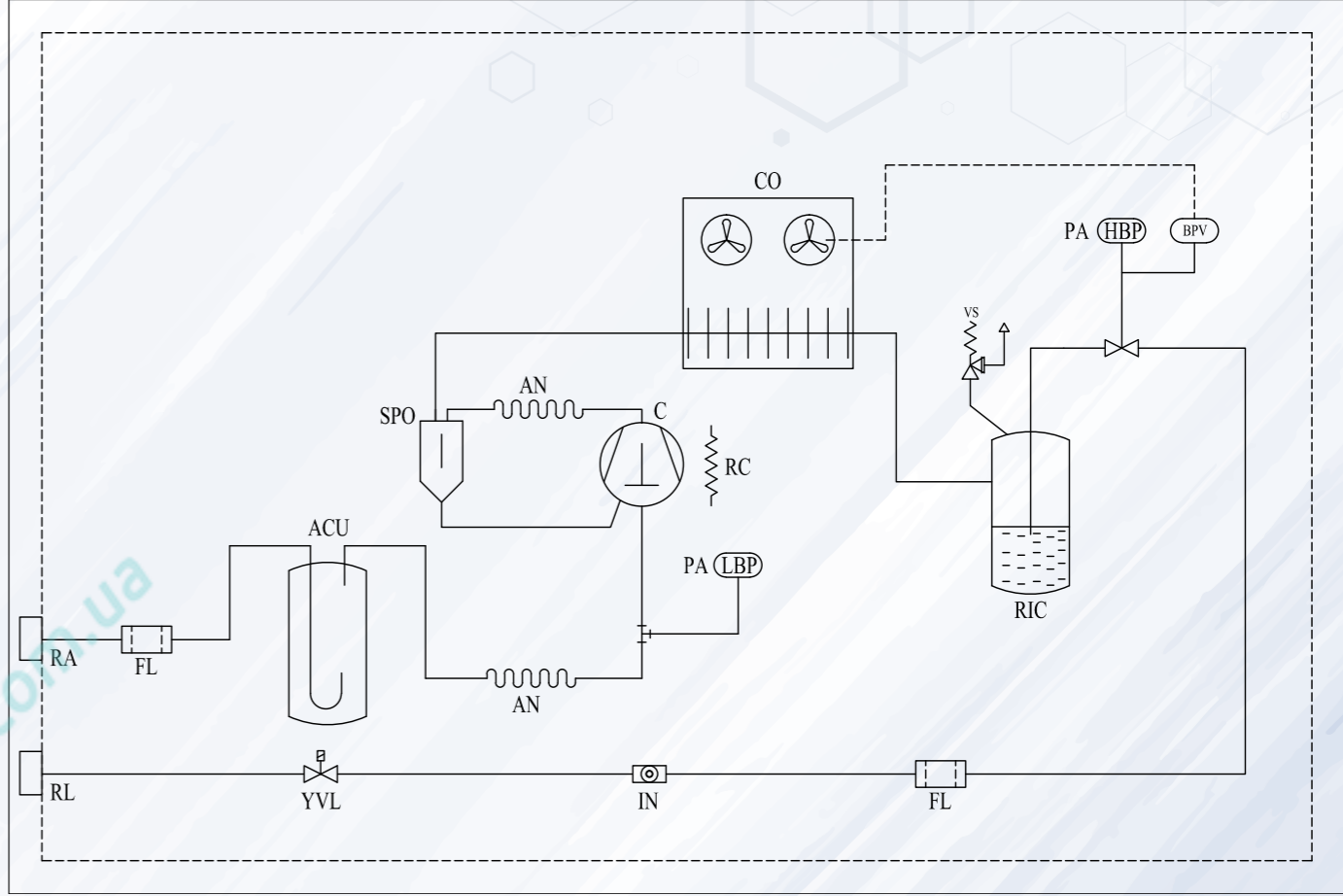
General features:
 The condensing unit HUC PLUS range is designed for commercial refrigeration at midium and low temperatures. Specially designed with tropical condenser made from high quality inner-grooved copper tubes ø7 mm, low noise operation, easy maintenance, finest components to guarantee final quality control. All condensing units are complied with directives 97/23/EC Pressure Equipment (P.E.D).

- Accesorios:**
- Powder coated Zinc plate highly anti-corrosion strength
 - Tropical condenser coil with copper tube and aluminium fins
 - Sound insulation
 - Semi-hermetic reciprocating compressor
 - Dural pressure switch with automatic reset
 - Filter driers on liquid and suction lines
 - Sight glass with moisture indicator
 - Liquid receiver
 - Safety relief valve
 - Ball valves on liquid and suction lines
 - Suction accumulator
 - Oil separator
 - Built in electric control pannel
 - High pressure switch/ Fan speed controller based on condenser pressure
 - Ziehl-Abegg or Maer axial fan motors
 - Manometers
 - Anti-vibration
 - Check valve
 - Different gas.

Características generales:
 La unidad condensadora HUC PLUS está diseñada para la refrigeración comercial a media y baja temperatura. Especialmente diseñado con condensador tropical hecho de tubos de cobre con ranuras internas de alta calidad de ø7 mm, operaciones de bajo ruido, fácil mantenimiento, con los mejores componentes para garantizar el control de calidad final. Todas las unidades condensadoras cumplen con las directivas 97/23/EC Equipo de presión (P.E.D).

- Accesorios:**
- Paquete de aletas con tratamiento anti corrosión
 - Condensador tropicalizado
 - Unidad condensadora insonorizada
 - Compresor Semi-hermético de pistones
 - Doble presostato con rearme automatico
 - Filtro secador en línea de succión y líquido
 - Visor de líquido
 - Recipiente de líquido
 - Válvula de seguridad homologada
 - Válvula de bola en línea de succión y líquido
 - Separador de líquido
 - Separador de aceite
 - Panel eléctrico de control
 - Alta presostato con rearme automatico/ Control de velocidad, según la condensación
 - Ventilador axial Ziehl-Abegg o Maer
 - Manómetros
 - Anti vibración
 - Válvula de retención
 - Diferente gas

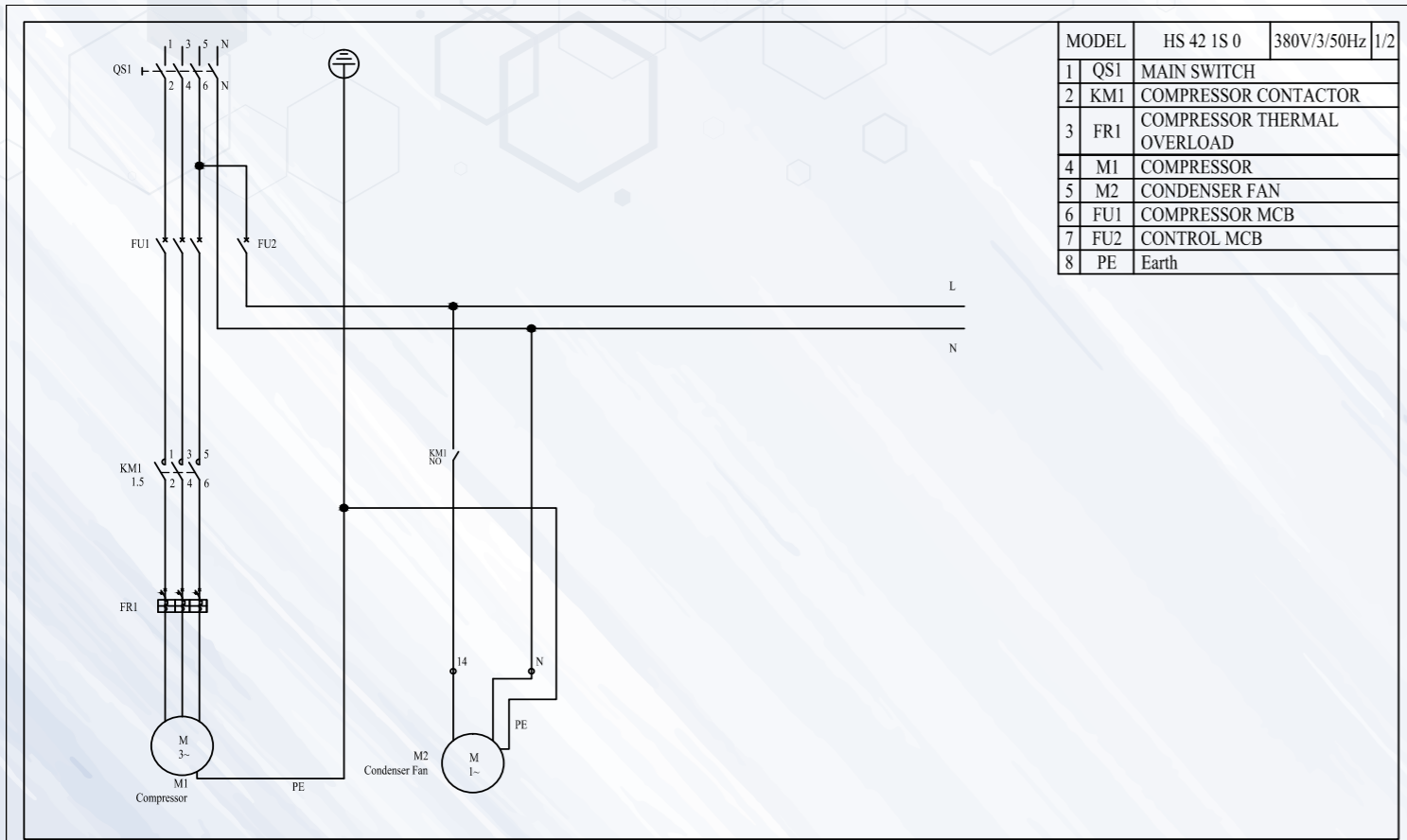
HUC PLUS CONDENSING UNIT
UNIDAD CONDENSADORA HUC PLUS



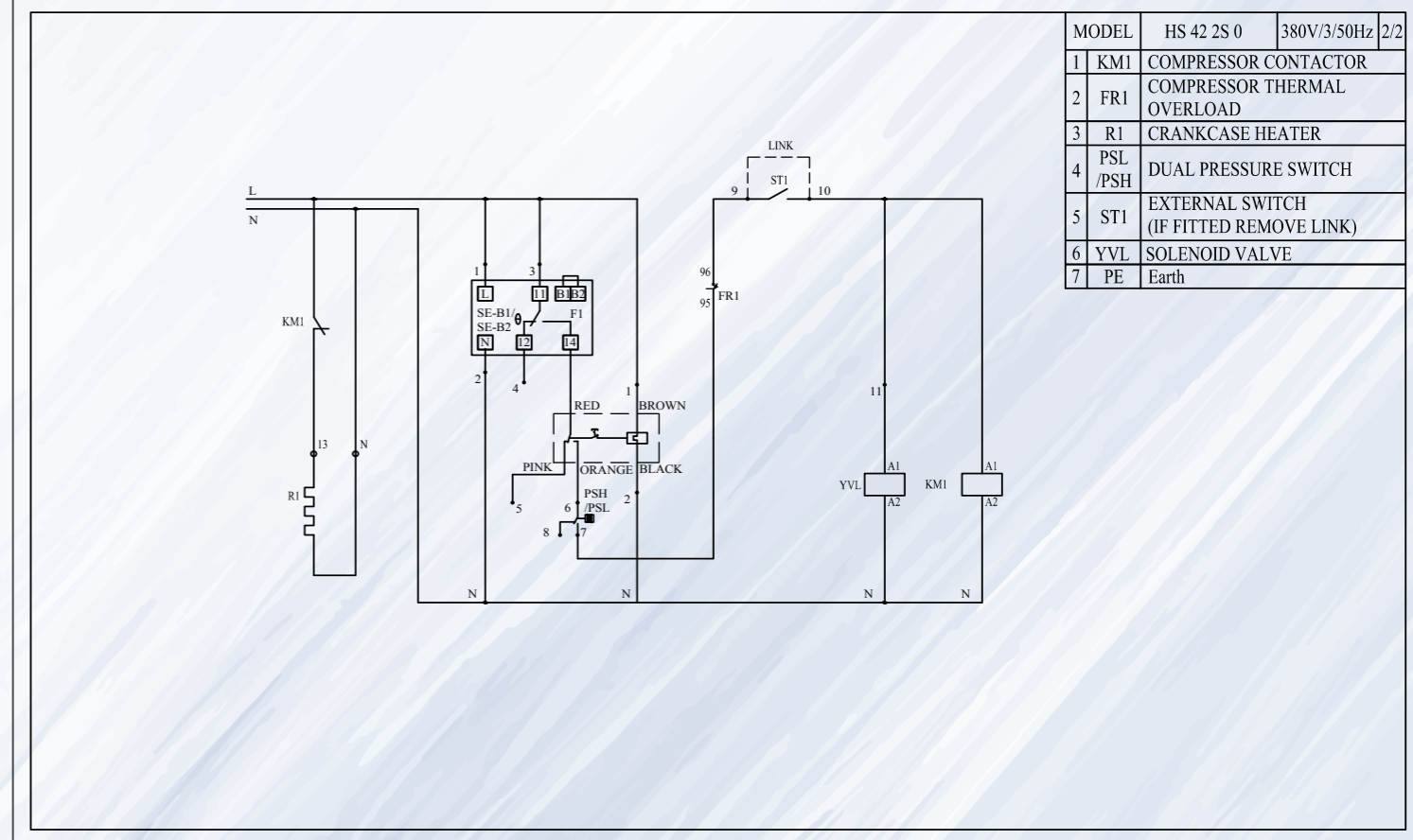
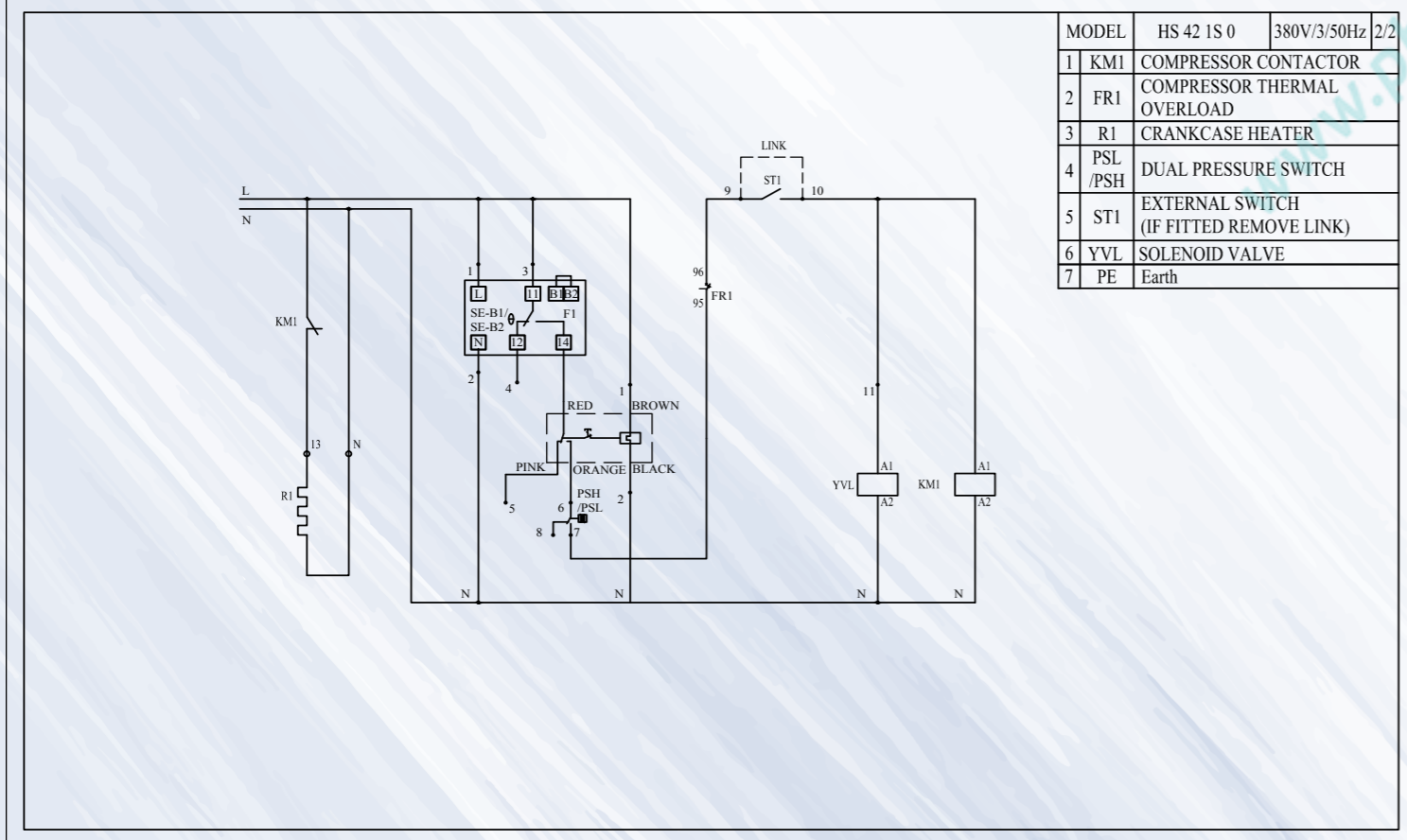
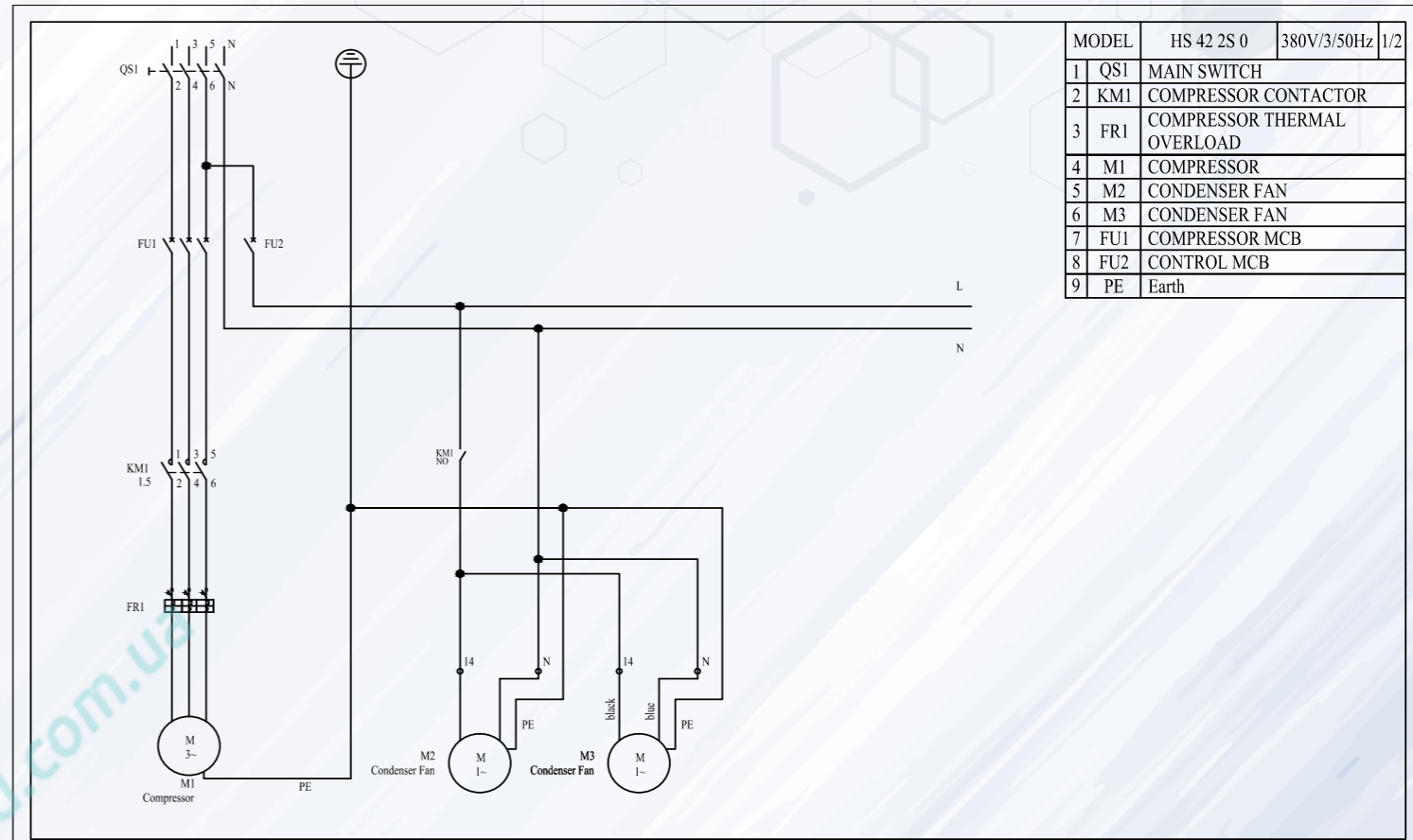
- Accesorios:**
- CO -Tropical condenser coil with copper tube and aluminium fins
 - C -Semi-hermetic reciprocating compressor
 - PA -Dual pressure switch with automatic reset
 - FL -Filter driers on liquid and suction lines
 - IN -Sight glass with moisture indicator
 - RIC -Liquid receiver
 - VS -Safety relief valve
 - RL/RA -Ball valves on liquid and suction lines
 - ACU -Suction accumulator
 - SPO -Oil separator
 - BPV -High pressure switch
 - / Fan speed controller based on condenser pressure
 - RC -Crankcase heater
 - AN -Anti-vibration

- Accesorios:**
- CO -Condensador tropicalizado
 - C -Compresor Semi-hermético de pistones
 - PA -Doble presostato con rearme automatico
 - FL -Filtro secador en línea de succión y líquido
 - IN -Visor de líquido
 - RIC -Recipiente de líquido
 - VS -Válvula de seguridad homologada
 - RL/RA -Válvula de bola en línea de succión y líquido
 - ACU -Separador de líquido
 - SPO -Separador de aceite
 - BPV -Alta presostato con rearme automatico
 - / Control de velocidad, según la condensación
 - RC -Resistencia de carter
 - AN -Anti vibración

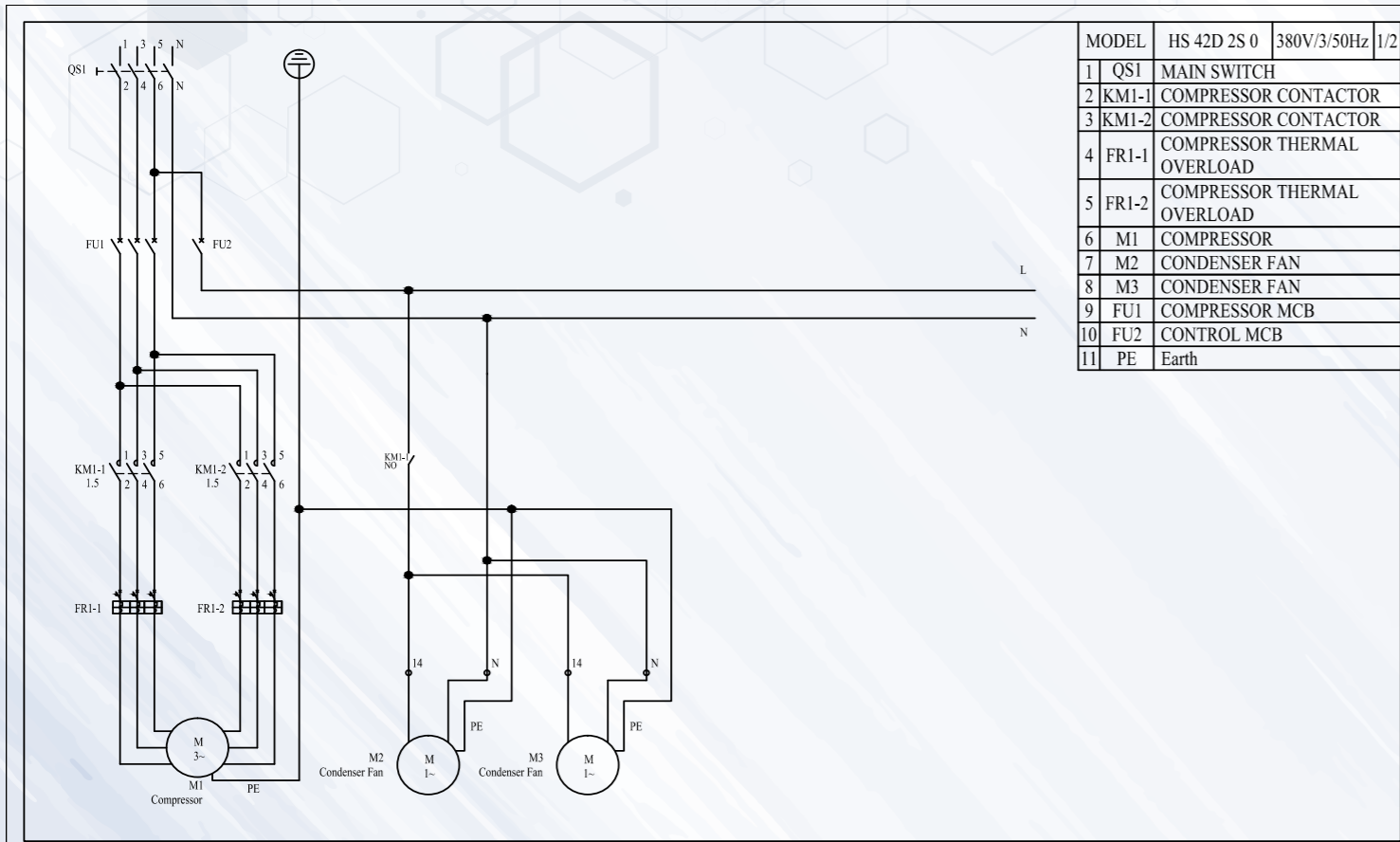
HUC PLUS CONDENSING UNIT
UNIDAD CONDENSADORA HUC PLUS



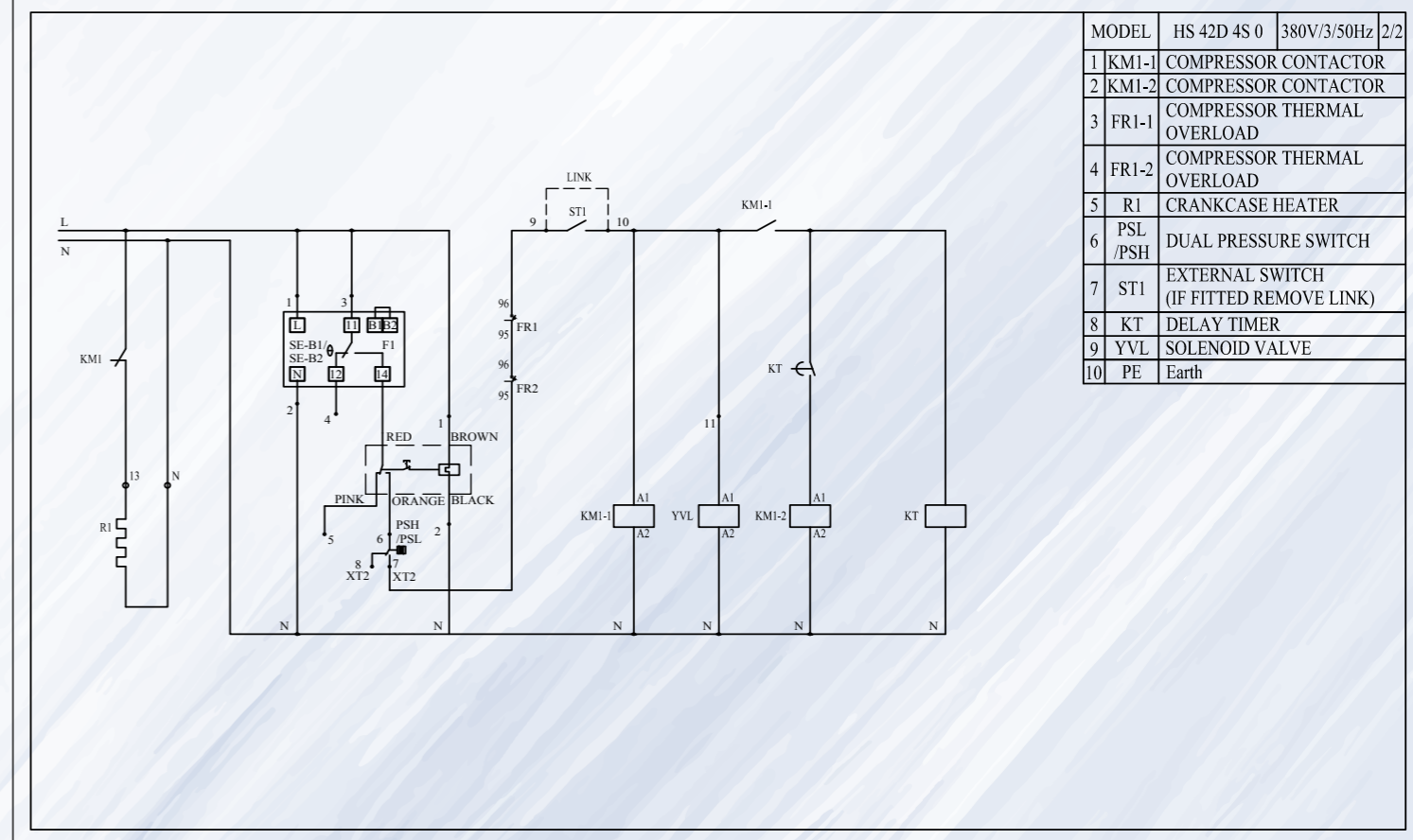
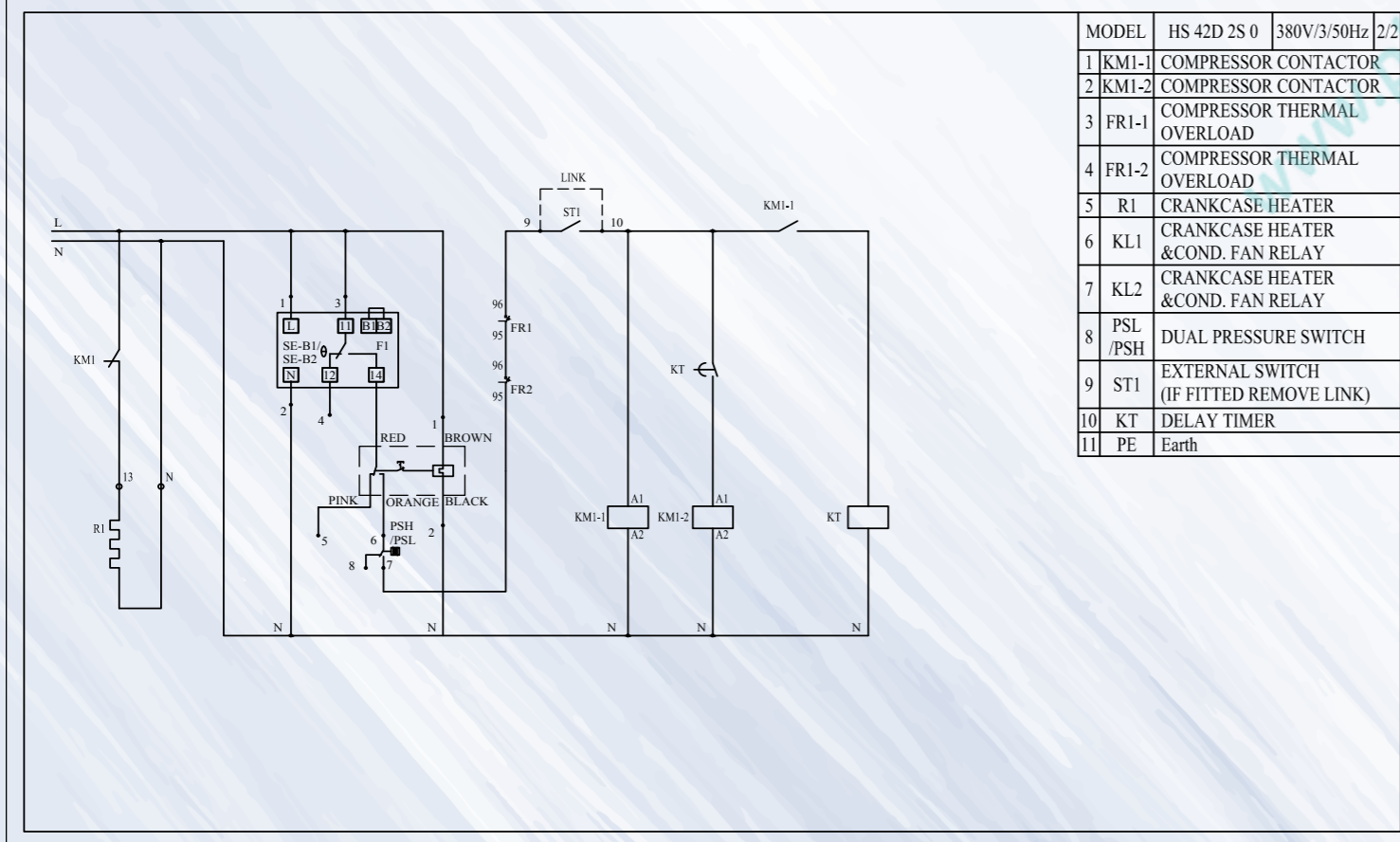
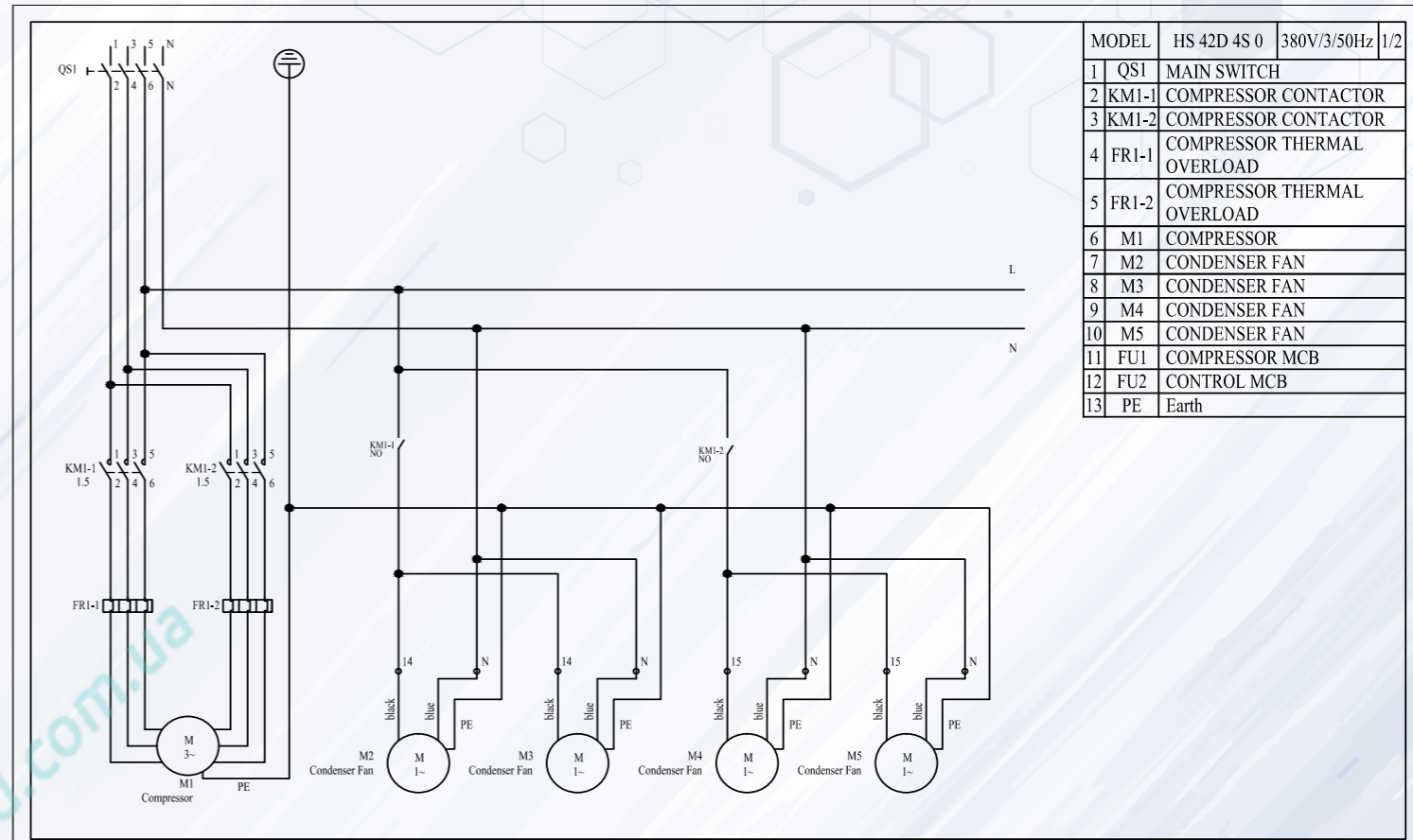
HUC PLUS CONDENSING UNIT
UNIDAD CONDENSADORA HUC PLUS



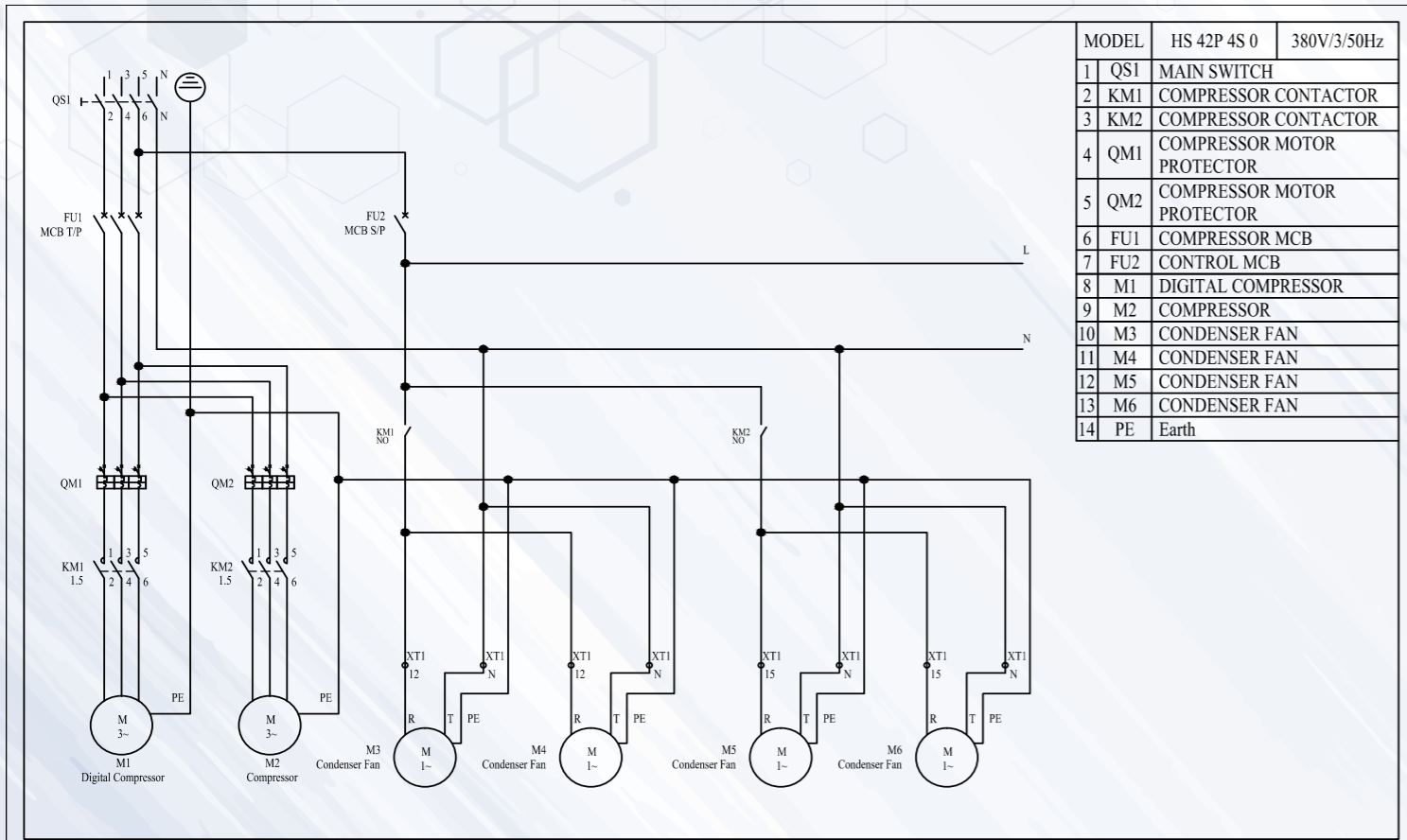
HUC PLUS CONDENSING UNIT
UNIDAD CONDENSADORA HUC PLUS



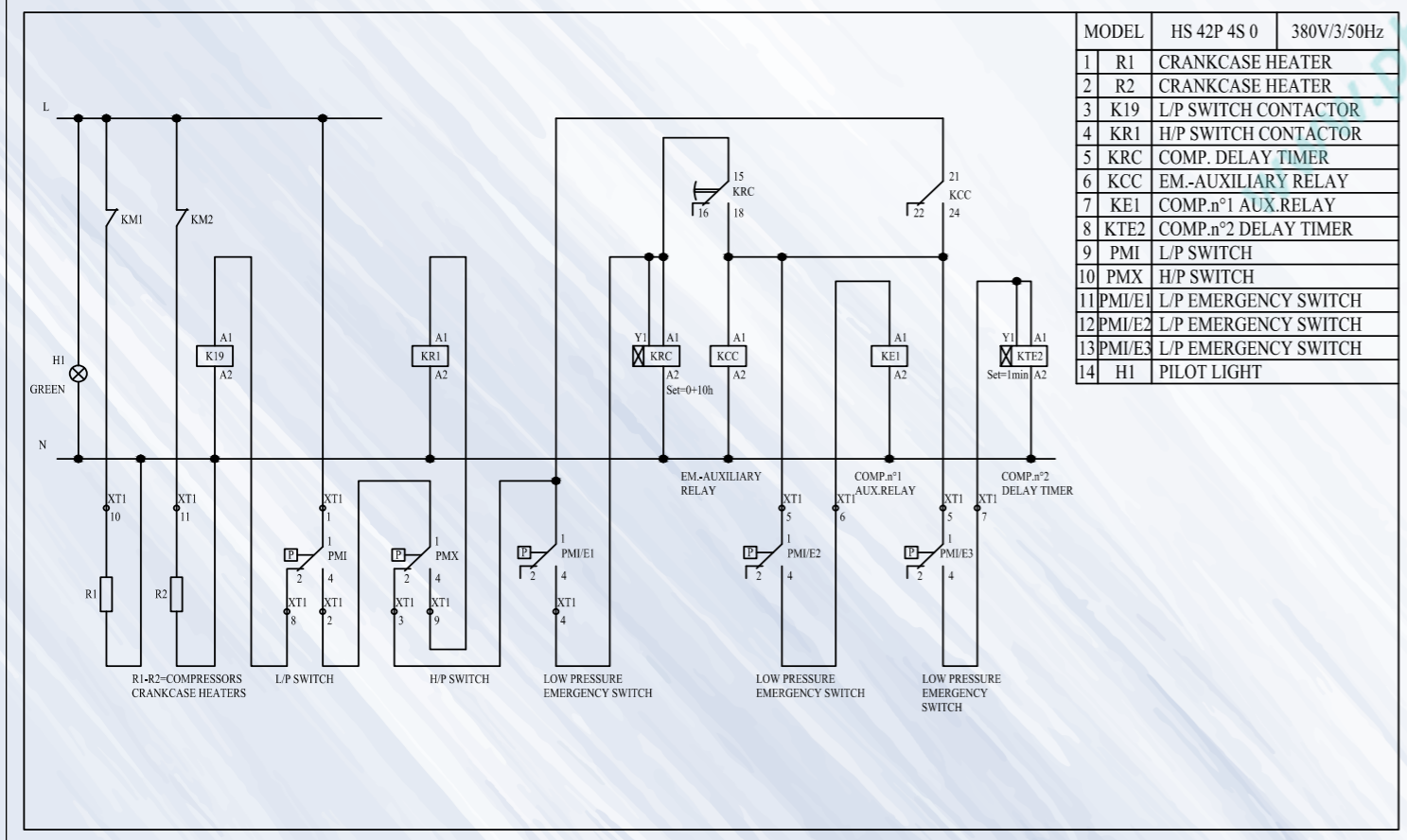
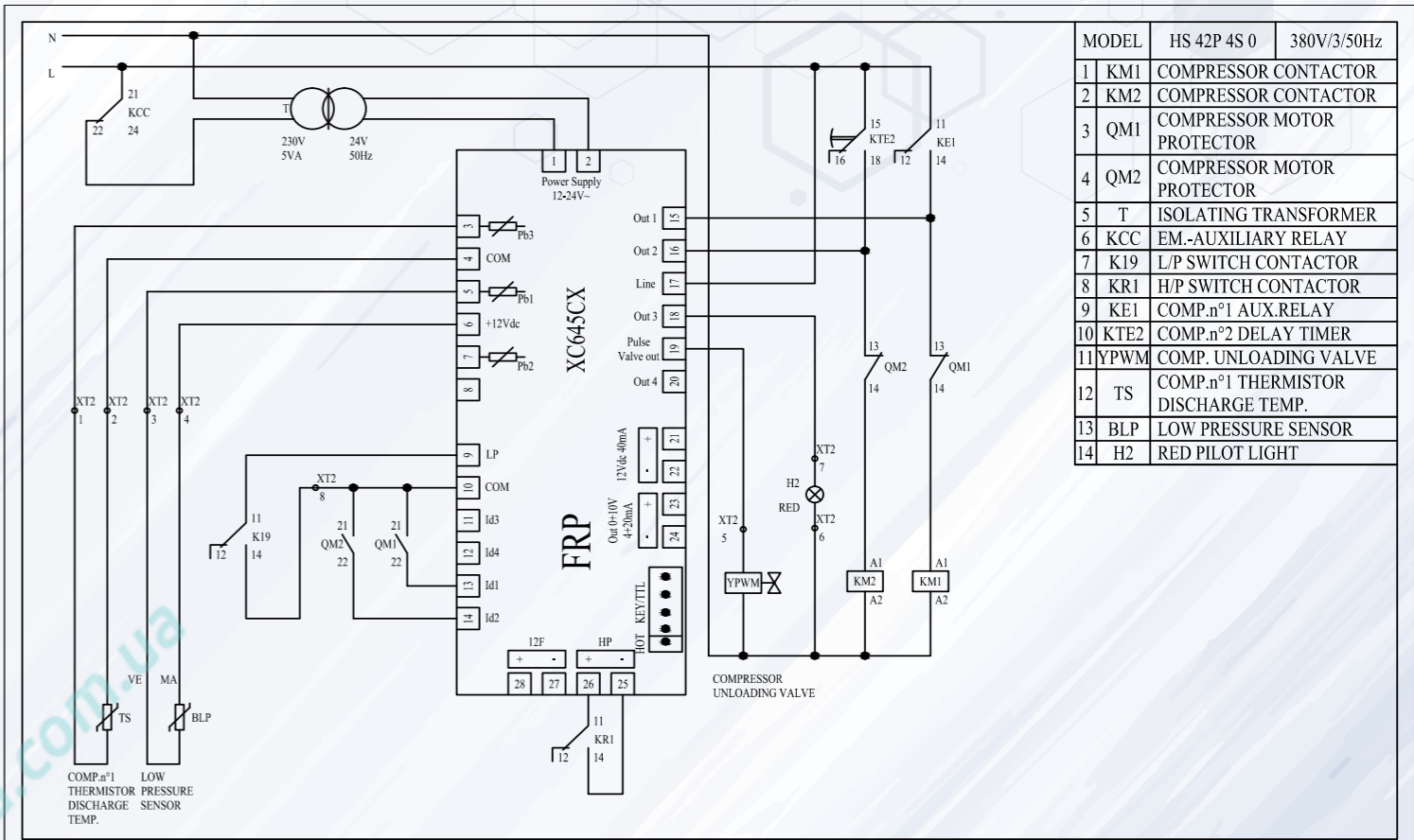
HUC PLUS CONDENSING UNIT
UNIDAD CONDENSADORA HUC PLUS



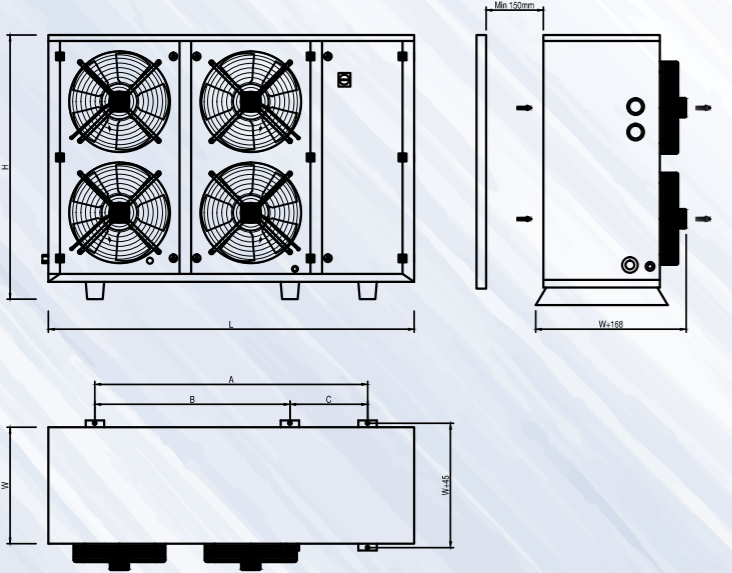
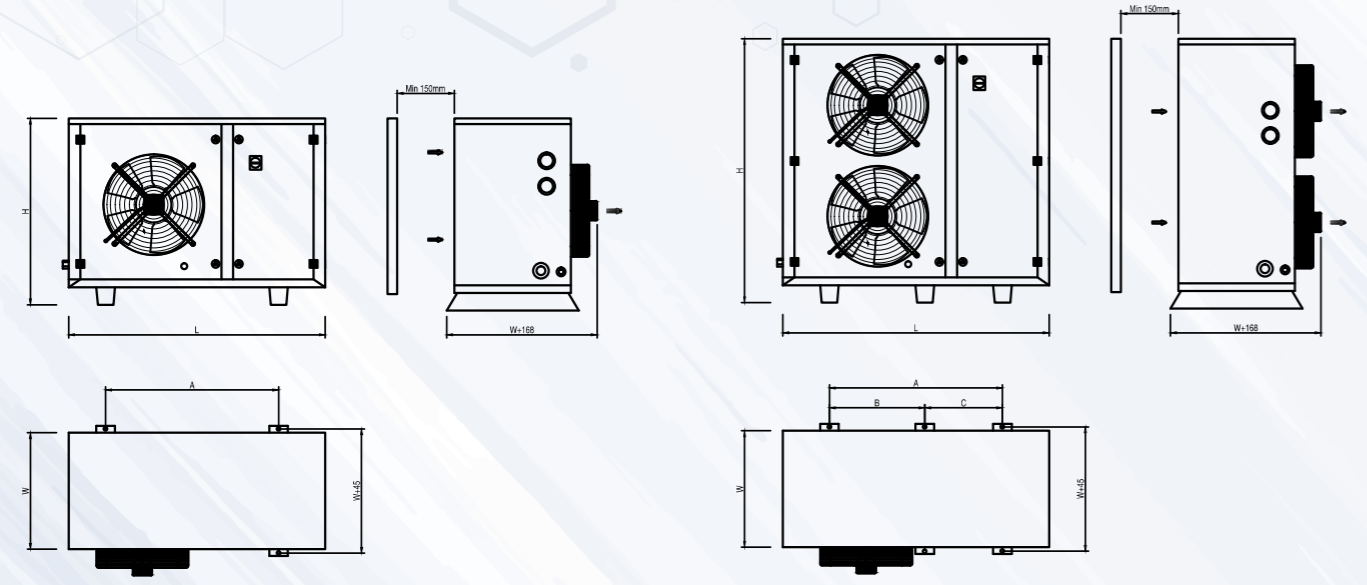
HUC PLUS CONDENSING UNIT
UNIDAD CONDENSADORA HUC PLUS



HUC PLUS CONDENSING UNIT
UNIDAD CONDENSADORA HUC PLUS



HUC PLUS CONDENSING UNIT
UNIDAD CONDENSADORA HUC PLUS



| Model/ Modelo | Dimensions / Dimensiones (mm) | | | | | |
|-----------------------|-------------------------------|-----|------|------|-----|------|
| | L | W | A | B | C | H |
| HUC PLUS 5001... | 1500 | 655 | 880 | / | / | 960 |
| HUC PLUS 4502/5002... | 1720 | 805 | 1100 | 620 | 480 | 1560 |
| HUC PLUS 4504/5004... | 2200 | 805 | 1580 | 1100 | 480 | 1560 |

HUC PLUS CONDENSING UNIT
UNIDAD CONDENSADORA HUC PLUS



Electric data/ Datos eléctricos

| HMBP R404A | Compressor/ Compresor | | Condenser/ Condensador | | Axial fan motor/ Ventilador de motor axial | | | | | Noise/ ruido | Pipe Fittings/ Tuberías | | N.W | MOC | Liquid Receiver Volume | |
|---------------------|--------------------------|-----|-----------------------------------|------------------------|---|-------|-------|---------------------------------|--------------------------|-----------------|----------------------------|------|--------|------|---------------------------|----|
| | Model/ Modelo | HP | Capacity/ Capacidad Δ T=15K | Surface/ Superficie | N°xø | m³/h | Poles | Voltage/ Voltaje (V/50Hz) | Absorption/ Absorción | | *Dist =10m | D | | | | S |
| | | | kW | M² | | | | | W | A | | dBa | Inch | Inch | K.G | A |
| HUC PLUS 5001Z05 MT | H300CC | 3 | 16.78 | 65 | 1x500 | 4366 | 6 | 1~220 | 290 | 1.30 | 49 | 1/2" | 7/8" | 156 | 10.7 | 6 |
| HUC PLUS 4502Z02 MT | H350CC | 3.5 | 22.30 | 57 | 2x450 | 8650 | 6 | 1~220 | 520 | 2.40 | 52 | 1/2" | 7/8" | 292 | 11.8 | 6 |
| HUC PLUS 4502Z03 MT | H405CC | 4 | 27.84 | 86 | 2x450 | 8362 | 6 | 1~220 | 520 | 2.40 | 52 | 1/2" | 7/8" | 308 | 11.8 | 8 |
| HUC PLUS 4502Z03 MT | H505CC | 5 | 27.84 | 86 | 2x450 | 8362 | 6 | 1~220 | 520 | 2.40 | 52 | 5/8" | 1 1/8" | 313 | 16.9 | 10 |
| HUC PLUS 5002Z04 MT | H705CC | 7 | 33.04 | 115 | 2x500 | 8877 | 6 | 1~220 | 580 | 2.60 | 53 | 5/8" | 1 1/8" | 316 | 22.1 | 10 |
| HUC PLUS 5002Z05 MT | H755CC | 7.5 | 34.26 | 144 | 2x500 | 8538 | 6 | 1~220 | 580 | 2.60 | 53 | 5/8" | 1 1/8" | 320 | 22.1 | 15 |
| HUC PLUS 4504Z03 MT | H1002CC | 10 | 49.08 | 127 | 4x450 | 15825 | 6 | 1~220 | 1040 | 4.80 | 55 | 5/8" | 1 1/8" | 360 | 27.8 | 15 |
| HUC PLUS 5004Z03 MT | H1003CC | 12 | 52.18 | 127 | 4x500 | 17221 | 6 | 1~220 | 1160 | 5.20 | 55 | 7/8" | 1 3/8" | 393 | 28.2 | 20 |
| HUC PLUS 5004Z04 MT | H1501CC | 15 | 57.82 | 170 | 4x500 | 16132 | 6 | 1~220 | 1160 | 5.20 | 56 | 7/8" | 1 5/8" | 401 | 39.2 | 25 |

The noise levels refer to the average value recored during 24h of daily functioning with fan motors controlled speed, standard housing sound absorption and compressor jacket (optional items). Alternative conditions may produce different results. / Los niveles de ruido se refieren al valor promedio registrado durante 24 horas de funcionamiento con ventiladores, velocidad controlada, absorción de sonido con gabinete estándar y chaqueta para compresor (ítems opcionales). Las condiciones alternativas pueden producir diferentes resultados.

Refrigeration capacity/ Capacidad de refrigeración

| HMBP R404A | Compressor/ Compresor | | Performance/ Rendimiento (kW) | | | | | |
|---------------------|--------------------------|-----|---|-------|-------|-------|-------|-------|
| | | | Evaporating Temperature/ Temperatura de evaporación (°C) | | | | | |
| Model/ Modelo | Model/ Modelo | HP | +5°C | 0°C | -5°C | -10°C | -15°C | -20°C |
| HUC PLUS 5001Z05 MT | H300CC | 3 | 11.66 | 9.72 | 8.03 | 6.56 | 5.28 | 4.18 |
| HUC PLUS 4502Z02 MT | H350CC | 3.5 | 12.85 | 10.76 | 8.93 | 7.33 | 5.94 | 4.75 |
| HUC PLUS 4502Z03 MT | H405CC | 4 | 16.28 | 13.44 | 10.97 | 8.84 | 7.02 | 5.48 |
| HUC PLUS 4502Z03 MT | H505CC | 5 | 19.32 | 16.01 | 13.13 | 10.62 | 8.47 | 6.64 |
| HUC PLUS 5002Z04 MT | H705CC | 7 | 22.66 | 18.83 | 15.48 | 12.57 | 10.06 | 7.93 |
| HUC PLUS 5002Z05 MT | H755CC | 7.5 | 26.14 | 21.74 | 17.88 | 14.54 | 11.66 | 9.21 |
| HUC PLUS 4504Z03 MT | H1002CC | 10 | 30.73 | 25.55 | 21.02 | 17.10 | 13.72 | 10.84 |
| HUC PLUS 5004Z03 MT | H1003CC | 12 | 34.08 | 28.54 | 23.67 | 19.43 | 15.74 | 12.55 |
| HUC PLUS 5004Z04 MT | H1501CC | 15 | 39.44 | 33.45 | 28.07 | 23.27 | 19.01 | 15.24 |

Test condition: Ambient temperature: 35°C, Condensing temperature: 50°C /
Condiciones de prueba: temperatura ambiente: 35°C, temperatura de condensación: 50°C

HUC PLUS CONDENSING UNIT
UNIDAD CONDENSADORA HUC PLUS

Electric data/ Datos eléctricos



| LBP R404A | Compressor/ Compresor | | Condenser/ Condensador | | Axial fan motor/ Ventilador de motor axial | | | | | | Noise/ ruido *Dist. =10m | Pipe Fittings/ Tuberías | | N.W K.G | MOC A | Liquid Receiver Volume L |
|---------------------|--------------------------|-----|---|------------------------------|---|-------|-------|---------------------------------|--------------------------|------|-----------------------------------|----------------------------|-----------|------------|----------|--------------------------------|
| | Model/ Modelo | HP | Capacity/ Capacidad Δ T=15K kW | Surface/ Superficie M² | N°xø | m³/h | Poles | Voltage/ Voltaje (V/50Hz) | Absorption/ Absorción | | | D Inch | S Inch | | | |
| | | | | | | | | | W | A | | | | | | |
| HUC PLUS 4502Z02 LT | H355CS | 3 | 22.30 | 57 | 2x450 | 8650 | 6 | 1~220 | 520 | 2.40 | 52 | 1/2" | 7/8" | 166 | 12.9 | 6 |
| HUC PLUS 4502Z03 LT | H405CS | 4 | 27.84 | 86 | 2x450 | 8362 | 6 | 1~220 | 520 | 2.40 | 52 | 5/8" | 1 1/8" | 306 | 12.9 | 8 |
| HUC PLUS 5002Z03 LT | H505CS | 5 | 29.95 | 86 | 2x500 | 9228 | 6 | 1~220 | 580 | 2.60 | 53 | 5/8" | 1 1/8" | 331 | 17.1 | 8 |
| HUC PLUS 5002Z04 LT | H705CS | 7 | 33.04 | 115 | 2x500 | 8877 | 6 | 1~220 | 580 | 2.60 | 53 | 5/8" | 1 1/8" | 336 | 17.1 | 10 |
| HUC PLUS 5002Z05 LT | H751CS | 7.5 | 34.26 | 144 | 2x500 | 8538 | 6 | 1~220 | 580 | 2.60 | 53 | 5/8" | 1 1/8" | 366 | 22.1 | 10 |
| HUC PLUS 4504Z03 LT | H801CS | 8 | 27.84 | 127 | 4x450 | 8362 | 6 | 1~220 | 1040 | 4.80 | 55 | 7/8" | 1 3/8" | 375 | 24.3 | 15 |
| HUC PLUS 4504Z04 LT | H1001CS | 10 | 30.75 | 170 | 4x450 | 8100 | 6 | 1~220 | 1040 | 4.80 | 56 | 7/8" | 1 3/8" | 380 | 28.8 | 20 |
| HUC PLUS 5004Z05 LT | H1501CS | 15 | 60.23 | 212 | 4x500 | 15235 | 6 | 1~220 | 1160 | 5.20 | 56 | 7/8" | 1 3/8" | 449 | 33.2 | 25 |

The noise levels refer to the average value recored during 24h of daily functioning with fan motors controlled speed, standard housing sound absorption and compressor jacket (optional items). Alternative conditions may produce different results. /
Los niveles de ruido se refieren al valor promedio registrado durante 24 horas de funcionamiento con ventiladores, velocidad controlada, absorción de sonido con gabinete estándar y chaqueta para compresor (items opcionales). Las condiciones alternativas pueden producir diferentes resultados.

Refrigeration capacity/ Capacidad de refrigeración

| LBP R404A | Compressor/ Compresor | | Performance/ Rendimiento (kW) | | | | | |
|---------------------|--------------------------|-----|---|-------|-------|-------|-------|------|
| | Model/ Modelo | HP | Evaporating Temperature/ Temperatura de evaporación (°C) | | | | | |
| -10°C | | | -15°C | -20°C | -25°C | -30°C | -35°C | |
| HUC PLUS 4502Z02 LT | H355CS | 3 | 9.01 | 7.20 | 5.66 | 4.35 | 3.25 | 2.35 |
| HUC PLUS 4502Z03 LT | H405CS | 4 | 10.73 | 8.63 | 6.82 | 5.28 | 3.96 | 2.85 |
| HUC PLUS 5002Z03 LT | H505CS | 5 | 12.43 | 10.01 | 7.93 | 6.16 | 4.65 | 3.38 |
| HUC PLUS 5002Z04 LT | H705CS | 7 | 14.39 | 11.65 | 9.28 | 7.24 | 5.52 | 4.05 |
| HUC PLUS 5002Z05 LT | H751CS | 7.5 | 16.42 | 13.31 | 10.63 | 8.31 | 6.32 | 4.60 |
| HUC PLUS 4504Z03 LT | H801CS | 8 | 19.61 | 16.03 | 12.88 | 10.13 | 7.71 | 5.58 |
| HUC PLUS 4504Z04 LT | H1001CS | 10 | 23.34 | 18.92 | 15.09 | 11.80 | 8.98 | 6.58 |
| HUC PLUS 5004Z05 LT | H1501CS | 15 | 27.19 | 22.03 | 17.56 | 13.72 | 10.43 | 7.62 |

Test condition: Ambient temperature: 35°C, Condensing temperature: 50°C /
Condiciones de prueba: temperatura ambiente: 35°C, temperatura de condensación: 50°C

HUC PLUS CONDENSING UNIT
UNIDAD CONDENSADORA HUC PLUS

Electric data/ Datos eléctricos



| HMBP R404A | Compressor/ Compresor | | Condenser/ Condensador | | Axial fan motor/ Ventilador de motor axial | | | | | | Noise/ ruido *Dist. =10m | Pipe Fittings/ Tuberías | | N.W K.G | MOC A | Liquid Receiver Volume L |
|---------------------|--------------------------|----|---|------------------------------|---|-------|-------|---------------------------------|--------------------------|------|-----------------------------------|----------------------------|-----------|------------|----------|--------------------------------|
| | Model/ Modelo | HP | Capacity/ Capacidad Δ T=15K kW | Surface/ Superficie M² | N°xø | m³/h | Poles | Voltage/ Voltaje (V/50Hz) | Absorption/ Absorción | | | D Inch | S Inch | | | |
| | | | | | | | | | W | A | | | | | | |
| HUC PLUS 5001Z04 MT | 2DES-3Y | 3 | 15.65 | 52 | 1x500 | 4523 | 6 | 1~220 | 290 | 1.30 | 49 | 1/2" | 7/8" | 156 | 9.9 | 6 |
| HUC PLUS 4502Z02 MT | 2CES-4Y | 4 | 22.30 | 57 | 2x450 | 8650 | 6 | 1~220 | 520 | 2.40 | 52 | 1/2" | 7/8" | 292 | 12.4 | 6 |
| HUC PLUS 4502Z02 MT | 4FES-5Y | 5 | 22.30 | 57 | 2x450 | 8650 | 6 | 1~220 | 520 | 2.40 | 52 | 1/2" | 7/8" | 308 | 13.2 | 8 |
| HUC PLUS 4502Z03 MT | 4EES-6Y | 6 | 27.84 | 86 | 2x450 | 8362 | 6 | 1~220 | 520 | 2.40 | 53 | 5/8" | 1 1/8" | 313 | 16.0 | 10 |
| HUC PLUS 5002Z04 MT | 4DES-7Y | 7 | 33.04 | 115 | 2x500 | 8877 | 6 | 1~220 | 580 | 2.60 | 53 | 5/8" | 1 1/8" | 316 | 19.1 | 10 |
| HUC PLUS 5002Z05 MT | 4CES-9Y | 9 | 34.26 | 144 | 2x500 | 8538 | 6 | 1~220 | 580 | 2.60 | 53 | 5/8" | 1 1/8" | 320 | 22.8 | 15 |
| HUC PLUS 5002Z05 MT | 4VES-10Y | 10 | 34.26 | 144 | 2x500 | 8538 | 6 | 1~220 | 580 | 2.60 | 53 | 5/8" | 1 1/8" | 360 | 22.5 | 15 |
| HUC PLUS 4504Z04 MT | 4TES-12Y | 12 | 54.36 | 170 | 4x450 | 14900 | 6 | 1~220 | 1040 | 4.80 | 56 | 7/8" | 1 3/8" | 393 | 29.9 | 20 |
| HUC PLUS 5004Z04 MT | 4PES-15Y | 15 | 57.82 | 170 | 4x500 | 16132 | 6 | 1~220 | 1160 | 5.20 | 56 | 7/8" | 1 5/8" | 401 | 33.4 | 25 |

The noise levels refer to the average value recored during 24h of daily functioning with fan motors controlled speed, standard housing sound absorption and compressor jacket (optional items). Alternative conditions may produce different results. /
Los niveles de ruido se refieren al valor promedio registrado durante 24 horas de funcionamiento con ventiladores, velocidad controlada, absorción de sonido con gabinete estándar y chaqueta para compresor (items opcionales). Las condiciones alternativas pueden producir diferentes resultados.

Refrigeration capacity/ Capacidad de refrigeración

| HMBP R404A | Compressor/ Compresor | | Performance/ Rendimiento (kW) | | | | | |
|---------------------|--------------------------|----|---|-------|-------|-------|-------|-------|
| | Model/ Modelo | HP | Evaporating Temperature/ Temperatura de evaporación (°C) | | | | | |
| +5°C | | | 0°C | -5°C | -10°C | -15°C | -20°C | |
| HUC PLUS 5001Z04 MT | 2DES-3Y | 3 | 10.72 | 8.96 | 7.42 | 6.07 | 4.89 | 3.87 |
| HUC PLUS 4502Z02 MT | 2CES-4Y | 4 | 13.19 | 11.06 | 9.18 | 7.54 | 6.12 | 4.88 |
| HUC PLUS 4502Z02 MT | 4FES-5Y | 5 | 14.40 | 12.01 | 9.94 | 8.13 | 6.58 | 5.25 |
| HUC PLUS 4502Z03 MT | 4EES-6Y | 6 | 18.24 | 15.17 | 12.51 | 10.20 | 8.22 | 6.52 |
| HUC PLUS 5002Z04 MT | 4DES-7Y | 7 | 22.14 | 18.44 | 15.22 | 12.44 | 10.04 | 8.00 |
| HUC PLUS 5002Z05 MT | 4CES-9Y | 9 | 27.09 | 22.50 | 18.52 | 15.08 | 12.13 | 9.61 |
| HUC PLUS 5002Z05 MT | 4VES-10Y | 10 | 28.41 | 23.42 | 19.11 | 15.39 | 12.21 | 9.50 |
| HUC PLUS 4504Z04 MT | 4TES-12Y | 12 | 34.32 | 28.37 | 23.22 | 18.78 | 14.98 | 11.75 |
| HUC PLUS 5004Z04 MT | 4PES-15Y | 15 | 39.34 | 32.36 | 26.32 | 21.13 | 16.69 | 12.94 |

Test condition: Ambient temperature: 35°C, Condensing temperature: 50°C /
Condiciones de prueba: temperatura ambiente: 35°C, temperatura de condensación: 50°C

HUC PLUS CONDENSING UNIT

UNIDAD CONDENSADORA HUC PLUS

Electric data/ Datos eléctricos

| LBP R404A | Compressor/ Compresor | | Condenser/ Condensador | | Axial fan motor/ Ventilador de motor axial | | | | | | Noise/ ruido *Dist. =10m | Pipe Fittings/ Tuberías | | N.W | MOC | Liquid Receiver Volume |
|---------------------|--------------------------|----|---|--|---|-------------------|-------|---------------------------------|--------------------------|------|-----------------------------------|----------------------------|--------|-----|------|---------------------------|
| | Model/ Modelo | HP | Capacity/ Capacidad Δ T=15K kW | Surface/ Superficie M ² | N°xø | m ³ /h | Poles | Voltage/ Voltaje (V/50Hz) | Absorption/ Absorción | | | D | S | | | |
| | | | | | | | | | W | A | | | | | | |
| HUC PLUS 4502Z02 LT | 4FES-3Y | 3 | 22.30 | 57 | 2x450 | 8650 | 6 | 1~220 | 520 | 2.40 | 52 | 1/2" | 7/8" | 166 | 11.9 | 6 |
| HUC PLUS 4502Z03 LT | 4EES-4Y | 4 | 27.84 | 86 | 2x450 | 8362 | 6 | 1~220 | 520 | 2.40 | 53 | 5/8" | 1 1/8" | 306 | 14.6 | 8 |
| HUC PLUS 5002Z03 LT | 4DES-5Y | 5 | 29.95 | 86 | 2x500 | 9228 | 6 | 1~220 | 580 | 2.60 | 53 | 5/8" | 1 1/8" | 331 | 17.1 | 8 |
| HUC PLUS 5002Z05 LT | 4CES-6Y | 6 | 34.26 | 144 | 2x500 | 8538 | 6 | 1~220 | 580 | 2.60 | 54 | 5/8" | 1 1/8" | 336 | 20.3 | 10 |
| HUC PLUS 5002Z05 LT | 4VES-7Y | 7 | 34.26 | 144 | 2x500 | 8538 | 6 | 1~220 | 580 | 2.60 | 54 | 5/8" | 1 1/8" | 366 | 19.2 | 10 |
| HUC PLUS 4504Z03 LT | 4TES-9Y | 9 | 49.08 | 127 | 4x450 | 15825 | 6 | 1~220 | 1040 | 4.80 | 57 | 7/8" | 1 3/8" | 375 | 24.7 | 15 |
| HUC PLUS 5004Z03 LT | 4PES-12Y | 12 | 52.18 | 127 | 4x500 | 17221 | 6 | 1~220 | 1160 | 5.20 | 57 | 7/8" | 1 3/8" | 380 | 27.9 | 20 |
| HUC PLUS 5004Z05 LT | 4NES-14Y | 14 | 60.23 | 212 | 4x500 | 15235 | 6 | 1~220 | 1160 | 5.20 | 58 | 7/8" | 1 3/8" | 449 | 31.8 | 25 |

The noise levels refer to the average value recored during 24h of daily functioning with fan motors controlled speed, standard housing sound absorption and compressor jacket (optional items). Alternative conditions may produce different results. /
Los niveles de ruido se refieren al valor promedio registrado durante 24 horas de funcionamiento con ventiladores, velocidad controlada, absorción de sonido con gabinete estándar y chaqueta para compresor (items opcionales). Las condiciones alternativas pueden producir diferentes resultados.

Refrigeration capacity/ Capacidad de refrigeración

| LBP R404A | Compressor/ Compresor | | Performance/ Rendimiento (kW) | | | | | |
|---------------------|--------------------------|----|---|-------|-------|-------|-------|------|
| | Model/ Modelo | HP | Evaporating Temperature/ Temperatura de evaporación (°C) | | | | | |
| -10°C | | | -15°C | -20°C | -25°C | -30°C | -35°C | |
| HUC PLUS 4502Z02 LT | 4FES-3Y | 3 | 8.14 | 6.58 | 5.25 | 4.12 | 3.17 | 2.38 |
| HUC PLUS 4502Z03 LT | 4EES-4Y | 4 | 10.38 | 8.39 | 6.69 | 5.24 | 4.02 | 3.01 |
| HUC PLUS 5002Z03 LT | 4DES-5Y | 5 | 12.44 | 10.04 | 8.00 | 6.26 | 4.80 | 3.60 |
| HUC PLUS 5002Z05 LT | 4CES-6Y | 6 | 15.08 | 12.13 | 9.61 | 7.48 | 5.69 | 4.22 |
| HUC PLUS 5002Z05 LT | 4VES-7Y | 7 | 15.38 | 12.21 | 9.51 | 7.22 | 5.32 | 3.75 |
| HUC PLUS 4504Z03 LT | 4TES-9Y | 9 | 18.82 | 15.02 | 11.79 | 9.06 | 6.79 | 4.91 |
| HUC PLUS 5004Z03 LT | 4PES-12Y | 12 | 21.23 | 16.79 | 13.02 | 9.86 | 7.22 | 5.07 |
| HUC PLUS 5004Z05 LT | 4NES-14Y | 14 | 25.52 | 20.35 | 15.95 | 12.24 | 9.14 | 6.58 |

Test condition: Ambient temperature: 35°C, Condensing temperature: 50°C /
Condiciones de prueba: temperatura ambiente: 35°C, temperatura de condensación: 50°C

HUC PLUS CONDENSING UNIT

UNIDAD CONDENSADORA HUC PLUS



Electric data/ Datos eléctricos

| HMBP R404A | Compressor/ Compresor | | Condenser/ Condensador | | Axial fan motor/ Ventilador de motor axial | | | | | | Noise/ ruido *Dist. =10m | Pipe Fittings/ Tuberías | | N.W | MOC | Liquid Receiver Volume |
|---------------------|--------------------------|----|---|--|---|-------------------|-------|---------------------------------|--------------------------|------|-----------------------------------|----------------------------|--------|-----|------|---------------------------|
| | Model/ Modelo | HP | Capacity/ Capacidad Δ T=15K kW | Surface/ Superficie M ² | N°xø | m ³ /h | Poles | Voltage/ Voltaje (V/50Hz) | Absorption/ Absorción | | | D | S | | | |
| | | | | | | | | | W | A | | | | | | |
| HUC PLUS 4502Z04 MT | Couple 1 | 8 | 30.75 | 115 | 2x450 | 8100 | 6 | 1~220 | 520 | 2.40 | 54 | 5/8" | 1 3/8" | 301 | 20.3 | 10 |
| HUC PLUS 5004Z02 MT | Couple 2 | 10 | 41.18 | 85 | 4x500 | 18432 | 6 | 1~220 | 580 | 2.60 | 54 | 5/8" | 1 3/8" | 303 | 26.7 | 15 |
| HUC PLUS 4504Z03 MT | Couple 3 | 12 | 49.08 | 127 | 4x450 | 15825 | 6 | 1~220 | 1040 | 4.80 | 56 | 5/8" | 1 3/8" | 335 | 29.3 | 15 |
| HUC PLUS 5004Z03 MT | Couple 4 | 14 | 52.18 | 127 | 4x500 | 17221 | 6 | 1~220 | 1160 | 5.20 | 56 | 7/8" | 1 3/8" | 348 | 33.2 | 15 |

Couple1:/ Pareja1: ZBD29KQE-TFD & ZB29KQE-TFD
Couple2:/ Pareja2: ZBD38KQE-TFD & ZB38KQE-TFD
Couple3:/ Pareja3: ZBD45KQE-TFD & ZB45KQE-TFD
Couple4:/ Pareja4: ZBD48KQE-TFD & ZB48KQE-TFD

The noise levels refer to the average value recored during 24h of daily functioning with fan motors controlled speed, standard housing sound absorption and compressor jacket (optional items). Alternative conditions may produce different results. /
Los niveles de ruido se refieren al valor promedio registrado durante 24 horas de funcionamiento con ventiladores, velocidad controlada, absorción de sonido con gabinete estándar y chaqueta para compresor (items opcionales). Las condiciones alternativas pueden producir diferentes resultados.

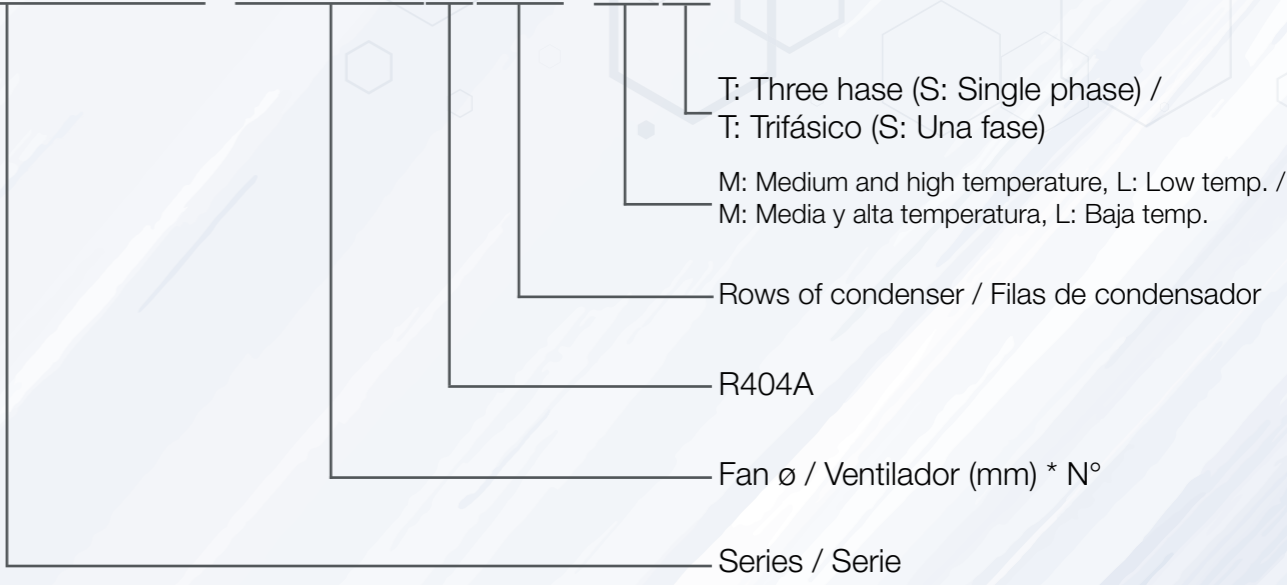
Refrigeration capacity/ Capacidad de refrigeración

| HMBP R404A | Compressor/ Compresor | | Performance/ Rendimiento (kW) | | | |
|---------------------|--------------------------|----|---|-------|-------|-------|
| | Model/ Modelo | HP | Evaporating Temperature/ Temperatura de evaporación (°C) | | | |
| -5°C | | | -10°C | -15°C | -20°C | |
| HUC PLUS 4502Z04 MT | Couple 1 | 8 | 14.87 | 12.41 | 10.27 | 8.41 |
| HUC PLUS 5004Z02 MT | Couple 2 | 10 | 18.78 | 15.66 | 12.97 | 10.63 |
| HUC PLUS 4504Z03 MT | Couple 3 | 12 | 22.20 | 18.48 | 15.30 | 12.56 |
| HUC PLUS 5004Z03 MT | Couple 4 | 14 | 24.65 | 20.55 | 16.93 | 13.96 |

Couple1:/ Pareja1: ZBD29KQE-TFD & ZB29KQE-TFD
Couple2:/ Pareja2: ZBD38KQE-TFD & ZB38KQE-TFD
Couple3:/ Pareja3: ZBD45KQE-TFD & ZB45KQE-TFD
Couple4:/ Pareja4: ZBD48KQE-TFD & ZB48KQE-TFD

Test condition: Ambient temperature: 35°C, Condensing temperature: 50°C /
Condiciones de prueba: temperatura ambiente: 35°C, temperatura de condensación: 50°C

HUC PLUS 6303Z03 MT



www.pholod.com.ua

Inner-Grooved Copper Tubing:
The inside surface of copper tubing is grooved with inner slots to enlarge the contact surface area—increasing heat efficiency exchange by 10-12%.

Blue Fin Coating:
On outdoor units, Blue Fin coating helps protect the parts from corrosion.

Supported to the casing by means of a “floating” system that avoids any kind of contact between the copper tubes and the supporting end plates, assuring a long life for the condenser without leaks.

Tubos de cobre con ranuras interiores:
La superficie interna de la tubería de cobre está ranurada con ranuras internas para aumentar el intercambio de eficiencia de calor del área de contacto de superficie en un 10-12%.

Revestimiento de aleta azul:
En las unidades exteriores, el revestimiento Blue Fin ayuda a proteger las piezas de la corrosión.

Soportado a la carcasa por medio de un sistema “flotante” que evita cualquier tipo de contacto entre los tubos de cobre y las placas extremas de soporte, asegurando una larga vida útil del condensador sin fugas.



HUC PLUS CONDENSING UNIT
UNIDAD CONDENSADORA HUC PLUS

**TOP DISCHARGE
 DESCARGA SUPERIOR**

General features:
 The condensing unit HUC PLUS (top discharge) range is designed for commercial refrigeration at medium and low temperatures. Specially designed with tropical condenser made from high quality inner-grooved copper tubes ø9.52 mm, low noise operation, easy maintenance, finest components to guarantee final quality control. All condensing units are complied with directives 97/23/EC Pressure Equipment (P.E.D).

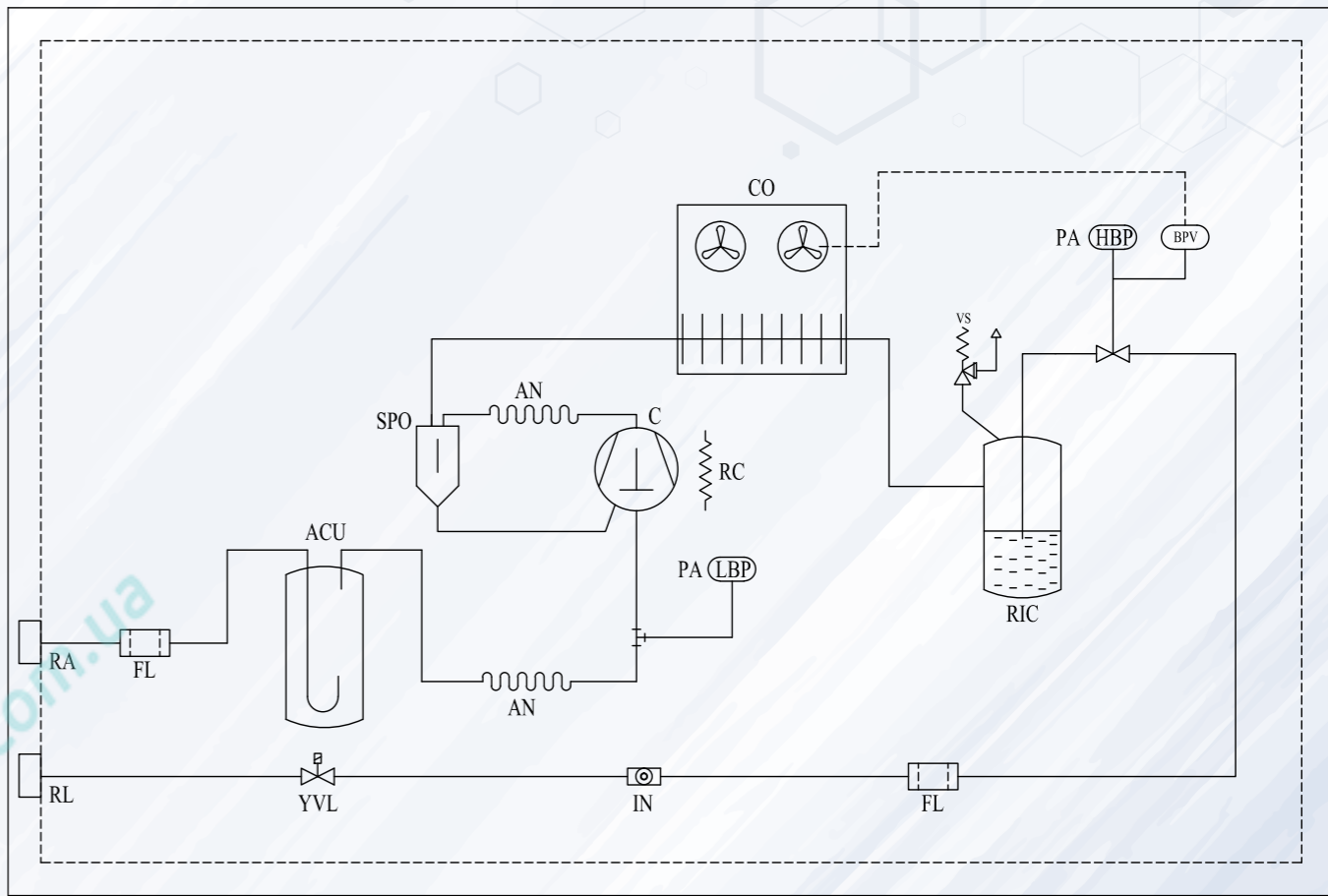
- Accesorios:**
- Powder coated Zinc plate highly anti-corrosion strength
 - Tropical condenser coil with copper tube and aluminium fins
 - Sound insulation
 - Semi-hermetic reciprocating compressor
 - Dural pressure switch with automatic reset
 - Filter driers on liquid and suction lines
 - Sight glass with moisture indicator
 - Liquid receiver
 - Safety relief valve
 - Ball valves on liquid and suction lines
 - Suction accumulator
 - Oil separator
 - Built in electric control panel
 - High pressure switch/ Fan speed controller based on condenser pressure
 - Ziehl-Abegg or Maer axial fan motors
 - Manometers
 - Anti-vibration
 - Check valve
 - Different gas

Características generales:
 La unidad condensadora HUC PLUS (Descarga superior) está diseñada para la refrigeración comercial a media y baja temperatura. Especialmente diseñado con condensador tropical hecho de tubos de cobre con ranuras internas de alta calidad de ø9.52 mm, operaciones de bajo ruido, fácil mantenimiento, con los mejores componentes para garantizar el control de calidad final. Todas las unidades condensadoras cumplen con las directivas 97/23/EC Equipo de presión (P.E.D).

- Accesorios:**
- Paquete de aletas con tratamiento anti corrosión
 - Condensador tropicalizado
 - Unidad condensadora insonorizada
 - Compresor Semi-hermético de pistones
 - Doble presostato con rearme automatico
 - Filtro secador en línea de succión y líquido
 - Visor de líquido
 - Recipiente de líquido
 - Válvula de seguridad homologada
 - Válvula de bola en línea de succión y líquido
 - Separador de líquido
 - Separador de aceite
 - Panel eléctrico de control
 - Alta presostato con rearme automatico/ Control de velocidad, según la condensación
 - Ventilador axial Ziehl-Abegg o Maer
 - Manómetros
 - Anti vibración
 - Válvula de retención
 - Diferente gas

HUC PLUS CONDENSING UNIT
UNIDAD CONDENSADORA HUC PLUS

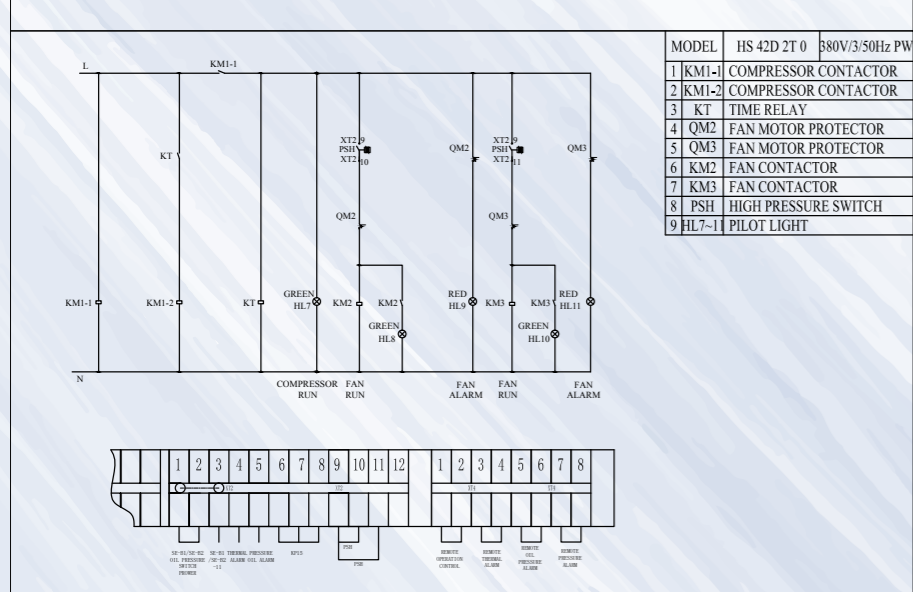
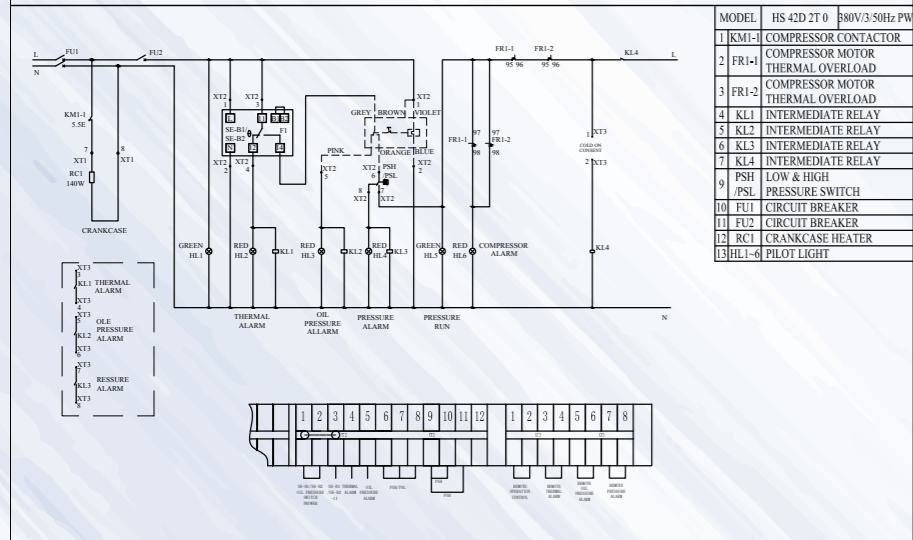
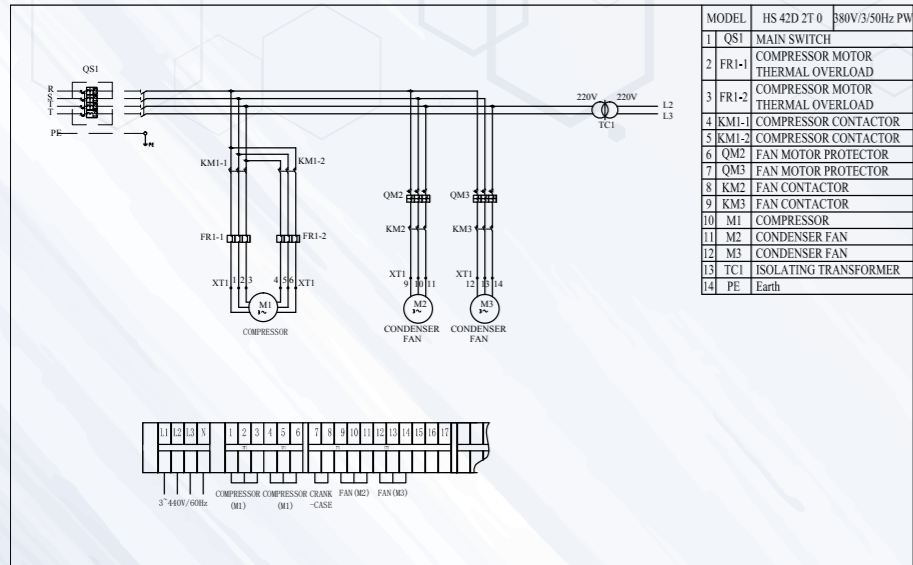
**TOP DISCHARGE
 DESCARGA SUPERIOR**



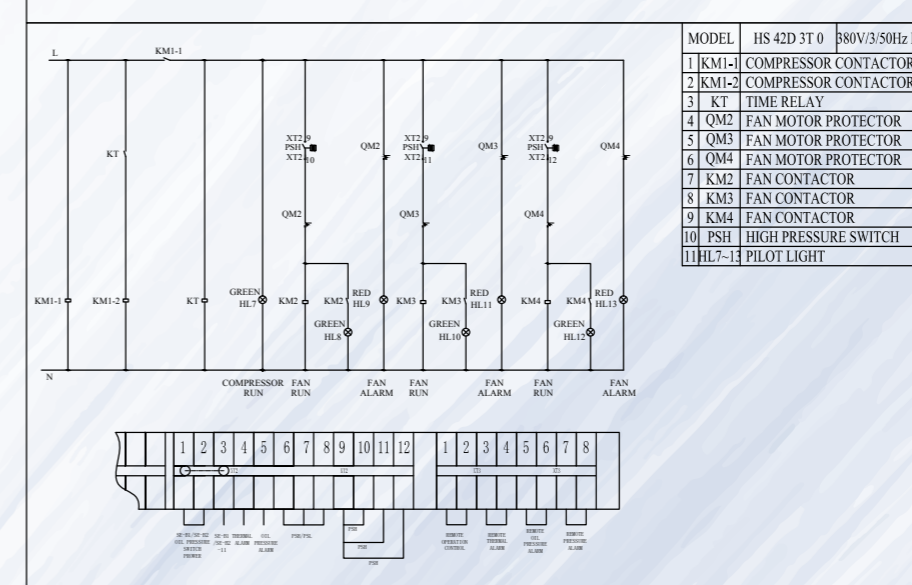
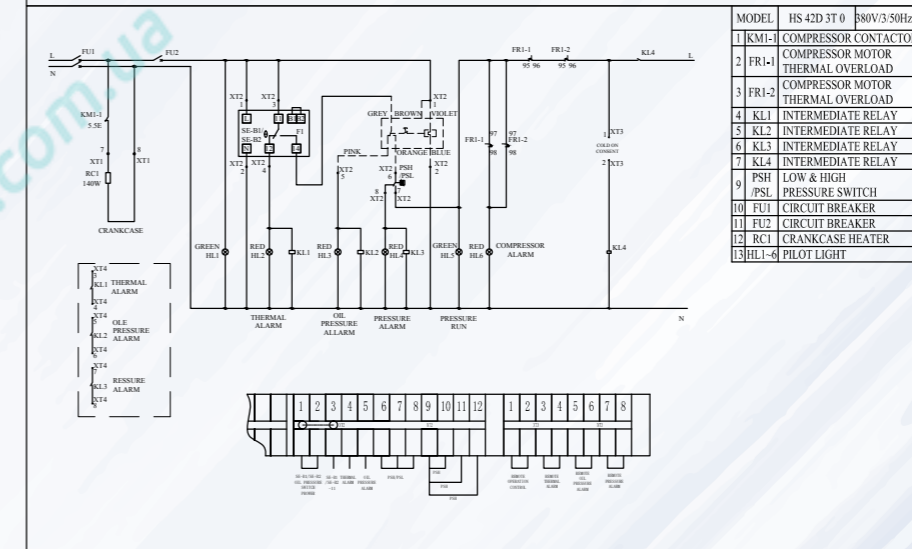
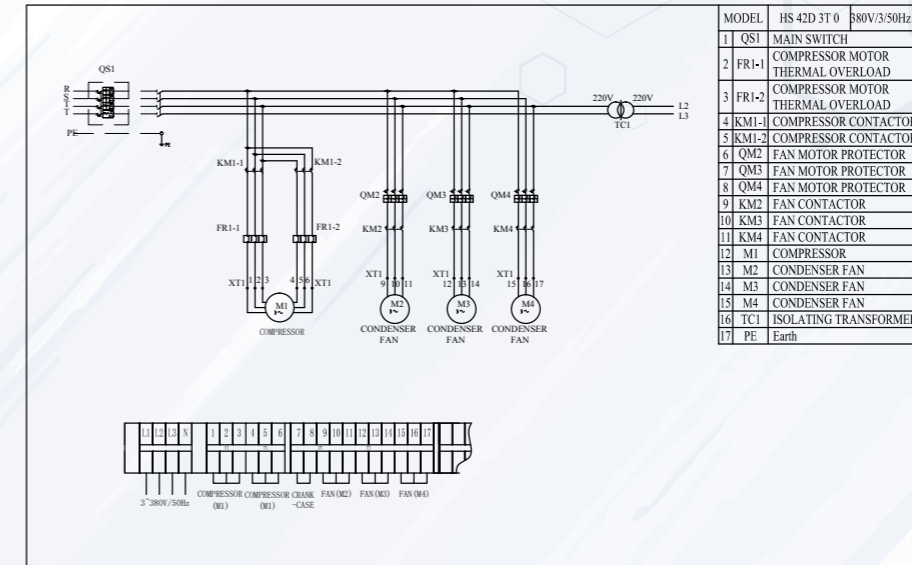
- Accesorios:**
- CO -Tropical condenser coil with copper tube and aluminium fins
 - C -Semi-hermetic reciprocating compressor
 - PA -Dual pressure switch with automatic reset
 - FL -Filter driers on liquid and suction lines
 - IN -Sight glass with moisture indicator
 - RIC -Liquid receiver
 - VS -Safety relief valve
 - RL/RA -Ball valves on liquid and suction lines
 - ACU -Suction accumulator
 - SPO -Oil separator
 - BPV -High pressure switch
 - / Fan speed controller based on condenser pressure
 - RC -Crankcase heater
 - AN -Anti-vibration

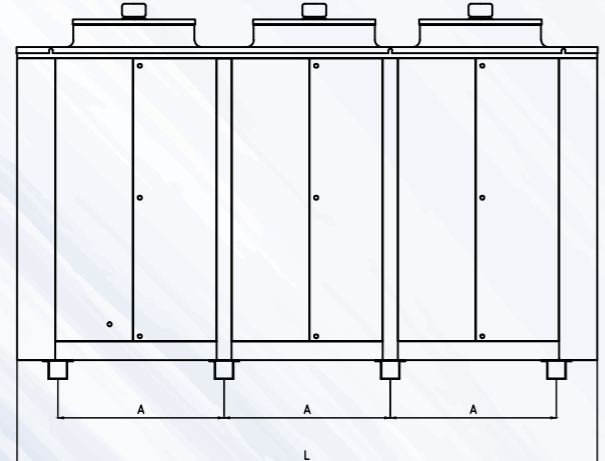
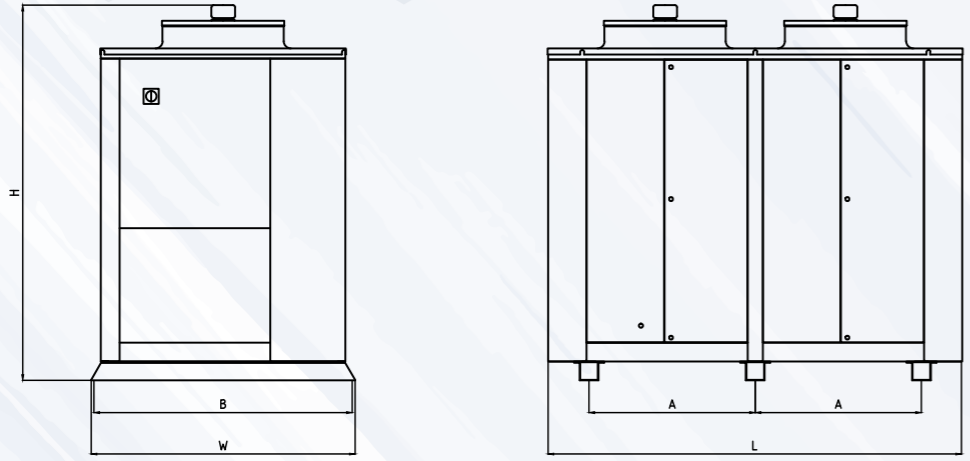
- Accesorios:**
- CO -Condensador tropicalizado
 - C -Compresor Semi-hermético de pistones
 - PA -Doble presostato con rearme automatico
 - FL -Filtro secador en línea de succión y líquido
 - IN -Visor de líquido
 - RIC -Recipiente de líquido
 - VS -Válvula de seguridad homologada
 - RL/RA -Válvula de bola en línea de succión y líquido
 - ACU -Separador de líquido
 - SPO -Separador de aceite
 - BPV -Alta presostato con rearme automatico
 - / Control de velocidad, según la condensación
 - RC -Resistencia de carter
 - AN -Anti vibración

Circuit diagram:/ Diagrama de circuito:



Circuit diagram:/ Diagrama de circuito:





| Model/ Modelo | Dimensions / Dimensiones (mm) | | | | |
|------------------|-------------------------------|--------|--------|--------|--------|
| | L (mm) | W (mm) | H (mm) | A (mm) | B (mm) |
| HUC PLUS 6302... | 2205 | 1400 | 1995 | 883 | 1372 |
| HUC PLUS 6303... | 3105 | 1400 | 1995 | 883 | 1372 |
| HUC PLUS 8002... | 2805 | 1400 | 2495 | 1183 | 1372 |
| HUC PLUS 8003... | 4005 | 1400 | 2495 | 1183 | 1372 |

Electric data/ Datos eléctricos

| HMBP R404A | Compressor/ Compresor | | Condenser/ Condensador | | Axial fan motor/ Ventilador de motor axial | | | | | Noise/ ruido *Dist =10m | Pipe Fittings/ Tuberías | | N.W | MOC | Liquid Receiver Volume | |
|---------------------|--------------------------|----|---|------------------------------|---|-------|-------|---------------------------------|--------------------------|----------------------------------|----------------------------|--------|--------|------|---------------------------|----|
| | Model/ Modelo | HP | Capacity/ Capacidad Δ T=15K kW | Surface/ Superficie M² | N°xø | m³/h | Poles | Voltage/ Voltaje (V/50Hz) | Absorption/ Absorción | | D | S | | | | |
| | | | | | | | | | W | | | | | | | A |
| HUC PLUS 6302Z04 MT | H2001CC | 20 | 65.37 | 221 | 2x630 | 17560 | 6 | 3~380 | 2200 | 4.40 | 54 | 7/8" | 1 5/8" | 837 | 42.40 | 30 |
| HUC PLUS 6302Z05 MT | H2201CC | 22 | 68.86 | 276 | 2x630 | 17075 | 6 | 3~380 | 2200 | 4.40 | 54 | 7/8" | 1 5/8" | 900 | 49.40 | 35 |
| HUC PLUS 6303Z03 MT | H2500CC | 25 | 87.02 | 248 | 3x630 | 27103 | 6 | 3~380 | 3300 | 6.60 | 55 | 7/8" | 2 1/8" | 1037 | 54.60 | 40 |
| HUC PLUS 6303Z04 MT | H3000CC | 30 | 98.05 | 331 | 3x630 | 26340 | 6 | 3~380 | 3300 | 6.60 | 56 | 7/8" | 2 1/8" | 1075 | 62.60 | 50 |
| HUC PLUS 8002Z03 MT | H3400CC | 35 | 117.17 | 265 | 2x800 | 39994 | 6 | 3~380 | 3300 | 7.00 | 57 | 7/8" | 2 1/8" | 1252 | 67.00 | 50 |
| HUC PLUS 8002Z05 MT | H4000CC | 40 | 143.99 | 441 | 2x800 | 37480 | 6 | 3~380 | 3300 | 7.00 | 57 | 7/8" | 2 1/8" | 1592 | 82.00 | 60 |
| HUC PLUS 8003Z03 MT | H5000CC | 50 | 165.27 | 397 | 3x800 | 60087 | 6 | 3~380 | 4950 | 10.50 | 59 | 1 3/8" | 2 1/8" | 1679 | 103.50 | 70 |
| HUC PLUS 8003Z05 MT | H6000CC | 60 | 212.72 | 662 | 3x800 | 56620 | 6 | 3~380 | 4950 | 10.50 | 59 | 1 3/8" | 3 1/8" | 1722 | 130.50 | 90 |

The noise levels refer to the average value recored during 24h of daily functioning with fan motors controlled speed, standard housing sound absorption and compressor jacket (optional items). Alternative conditions may produce different results. / Los niveles de ruido se refieren al valor promedio registrado durante 24 horas de funcionamiento con ventiladores, velocidad controlada, absorción de sonido con gabinete estándar y chaqueta para compresor (items opcionales). Las condiciones alternativas pueden producir diferentes resultados.

Refrigeration capacity/ Capacidad de refrigeración

| HMBP R404A | Compressor/ Compresor | | Performance/ Rendimiento (kW) | | | | | |
|---------------------|--------------------------|----|---|--------|-------|-------|-------|-------|
| | | | Evaporating Temperature/ Temperatura de evaporación (°C) | | | | | |
| | | | +5°C | 0°C | -5°C | -10°C | -15°C | -20°C |
| Model/ Modelo | Model/ Modelo | HP | | | | | | |
| HUC PLUS 6302Z04 MT | H2001CC | 20 | 47.59 | 39.82 | 33.01 | 27.08 | 21.94 | 17.52 |
| HUC PLUS 6302Z05 MT | H2201CC | 22 | 54.08 | 45.19 | 37.40 | 30.61 | 24.73 | 19.66 |
| HUC PLUS 6303Z03 MT | H2500CC | 25 | 62.06 | 51.64 | 42.51 | 34.58 | 27.71 | 21.79 |
| HUC PLUS 6303Z04 MT | H3000CC | 30 | 70.27 | 58.42 | 48.05 | 39.03 | 31.23 | 24.53 |
| HUC PLUS 8002Z03 MT | H3400CC | 35 | 82.37 | 68.45 | 56.27 | 45.68 | 36.53 | 28.66 |
| HUC PLUS 8002Z05 MT | H4000CC | 40 | 100.27 | 83.73 | 69.23 | 56.59 | 45.64 | 36.19 |
| HUC PLUS 8003Z03 MT | H5000CC | 50 | 120.92 | 100.84 | 83.26 | 67.98 | 54.78 | 43.47 |
| HUC PLUS 8003Z05 MT | H6000CC | 60 | 145.49 | 120.99 | 99.64 | 81.16 | 65.29 | 51.73 |

Test condition: Ambient temperature: 35°C, Condensing temperature: 50°C / Condiciones de prueba: temperatura ambiente: 35°C, temperatura de condensación: 50°C



Electric data/ Datos eléctricos

| LBP R404A | Compressor/ Compresor | | Condenser/ Condensador | | Axial fan motor/ Ventilador de motor axial | | | | | Noise/ ruido | Pipe Fittings/ Tuberías | | N.W | MOC | Liquid Receiver Volume | |
|---------------------|--------------------------|----|-----------------------------------|------------------------|---|-------|-------|---------------------------------|--------------------------|-----------------|----------------------------|--------|--------|------|---------------------------|----|
| | Model/ Modelo | HP | Capacity/ Capacidad Δ T=15K | Surface/ Superficie | N°xø | m³/h | Poles | Voltage/ Voltaje (V/50Hz) | Absorption/ Absorción | | D | S | | | | |
| | | | | | | | | | W | | | | | | | A |
| HUC PLUS 6302Z05 LT | H2000CS | 20 | 68.86 | 276 | 2x630 | 17075 | 6 | 3~380 | 2200 | 4.40 | 54 | 7/8" | 1 5/8" | 823 | 42.40 | 25 |
| HUC PLUS 6303Z03 LT | H2500CS | 25 | 87.02 | 248 | 3x630 | 27103 | 6 | 3~380 | 3300 | 6.60 | 56 | 7/8" | 2 1/8" | 884 | 51.60 | 35 |
| HUC PLUS 6303Z04 LT | H2700CS | 27 | 98.05 | 331 | 3x630 | 26340 | 6 | 3~380 | 3300 | 6.60 | 56 | 1 1/8" | 2 1/8" | 936 | 54.60 | 40 |
| HUC PLUS 8002Z04 LT | H3001CS | 30 | 133.91 | 353 | 2x800 | 38769 | 6 | 3~380 | 3300 | 7.00 | 57 | 1 1/8" | 2 1/8" | 960 | 63.00 | 40 |
| HUC PLUS 8002Z05 LT | H3500CS | 35 | 143.99 | 441 | 2x800 | 37480 | 6 | 3~380 | 3300 | 7.00 | 57 | 1 1/8" | 2 1/8" | 1052 | 67.00 | 50 |
| HUC PLUS 8003Z03 LT | H4500CS | 45 | 165.27 | 397 | 3x800 | 60087 | 6 | 3~380 | 4950 | 10.50 | 59 | 1 3/8" | 2 1/8" | 1108 | 85.50 | 70 |

The noise levels refer to the average value recored during 24h of daily functioning with fan motors controlled speed, standard housing sound absorption and compressor jacket (optional items). Alternative conditions may produce different results. /
Los niveles de ruido se refieren al valor promedio registrado durante 24 horas de funcionamiento con ventiladores, velocidad controlada, absorción de sonido con gabinete estándar y chaqueta para compresor (items opcionales). Las condiciones alternativas pueden producir diferentes resultados.

Refrigeration capacity/ Capacidad de refrigeración

| LBP R404A | Compressor/ Compresor | | Performance/ Rendimiento (kW) | | | | | |
|---------------------|--------------------------|----|---|-------|-------|-------|-------|-------|
| | Model/ Modelo | HP | Evaporating Temperature/ Temperatura de evaporación (°C) | | | | | |
| -10°C | | | -15°C | -20°C | -25°C | -30°C | -35°C | |
| HUC PLUS 6302Z05 LT | H2000CS | 20 | 34.78 | 27.99 | 22.15 | 17.14 | 12.86 | 9.20 |
| HUC PLUS 6303Z03 LT | H2500CS | 25 | 39.09 | 31.42 | 24.84 | 19.22 | 14.45 | 10.42 |
| HUC PLUS 6303Z04 LT | H2700CS | 27 | 43.12 | 34.65 | 27.36 | 21.13 | 15.82 | 11.31 |
| HUC PLUS 8002Z04 LT | H3001CS | 30 | 52.19 | 42.01 | 33.23 | 25.71 | 19.28 | 13.77 |
| HUC PLUS 8002Z05 LT | H3500CS | 35 | 57.77 | 46.61 | 36.97 | 28.68 | 21.60 | 15.56 |
| HUC PLUS 8003Z03 LT | H4500CS | 45 | 67.49 | 54.69 | 43.62 | 34.12 | 25.97 | 19.02 |

Test condition: Ambient temperature: 35°C, Condensing temperature: 50°C /
Condiciones de prueba: temperatura ambiente: 35°C, temperatura de condensación: 50°C



Electric data/ Datos eléctricos

| HMBP R404A | Compressor/ Compresor | | Condenser/ Condensador | | Axial fan motor/ Ventilador de motor axial | | | | | Noise/ ruido | Pipe Fittings/ Tuberías | | N.W | MOC | Liquid Receiver Volume | |
|---------------------|--------------------------|----|-----------------------------------|------------------------|---|-------|-------|---------------------------------|--------------------------|-----------------|----------------------------|--------|--------|------|---------------------------|----|
| | Model/ Modelo | HP | Capacity/ Capacidad Δ T=15K | Surface/ Superficie | N°xø | m³/h | Poles | Voltage/ Voltaje (V/50Hz) | Absorption/ Absorción | | D | S | | | | |
| | | | | | | | | | W | | | | | | | A |
| HUC PLUS 6302Z04 MT | 4NES-20Y | 20 | 65.37 | 221 | 2x630 | 17560 | 6 | 3~380 | 2200 | 4.40 | 55 | 7/8" | 1 5/8" | 837 | 37.60 | 30 |
| HUC PLUS 6302Z05 MT | 4JE-22Y | 22 | 68.86 | 276 | 2x630 | 17075 | 6 | 3~380 | 2200 | 4.40 | 54 | 7/8" | 1 5/8" | 900 | 41.60 | 35 |
| HUC PLUS 6303Z03 MT | 4HE-25Y | 25 | 87.02 | 248 | 3x630 | 27103 | 6 | 3~380 | 3300 | 6.60 | 56 | 7/8" | 2 1/8" | 1037 | 50.60 | 40 |
| HUC PLUS 6303Z04 MT | 4GE-30Y | 30 | 98.05 | 331 | 3x630 | 26340 | 6 | 3~380 | 3300 | 6.60 | 56 | 7/8" | 2 1/8" | 1075 | 57.80 | 50 |
| HUC PLUS 8002Z03 MT | 4FE-35Y | 35 | 117.17 | 265 | 2x800 | 39994 | 6 | 3~380 | 3300 | 7.00 | 55 | 1 1/8" | 2 1/8" | 1252 | 69.10 | 50 |
| HUC PLUS 8002Z05 MT | 6GE-40Y | 40 | 143.99 | 441 | 2x800 | 37480 | 6 | 3~380 | 3300 | 7.00 | 59 | 1 1/8" | 2 1/8" | 1592 | 80.90 | 60 |
| HUC PLUS 8003Z03 MT | 6FE-50Y | 50 | 165.27 | 397 | 3x800 | 60087 | 6 | 3~380 | 4950 | 10.50 | 58 | 1 3/8" | 2 1/8" | 1679 | 106.70 | 70 |
| HUC PLUS 8003Z05 MT | 8GE-60Y | 60 | 212.72 | 662 | 3x800 | 56620 | 6 | 3~380 | 4950 | 10.50 | 59 | 1 3/8" | 3 1/8" | 1722 | 123.50 | 90 |

The noise levels refer to the average value recored during 24h of daily functioning with fan motors controlled speed, standard housing sound absorption and compressor jacket (optional items). Alternative conditions may produce different results. /
Los niveles de ruido se refieren al valor promedio registrado durante 24 horas de funcionamiento con ventiladores, velocidad controlada, absorción de sonido con gabinete estándar y chaqueta para compresor (items opcionales). Las condiciones alternativas pueden producir diferentes resultados.

Refrigeration capacity/ Capacidad de refrigeración

| HMBP R404A | Compressor/ Compresor | | Performance/ Rendimiento (kW) | | | | | |
|---------------------|--------------------------|----|---|--------|-------|-------|-------|-------|
| | Model/ Modelo | HP | Evaporating Temperature/ Temperatura de evaporación (°C) | | | | | |
| +5°C | | | 0°C | -5°C | -10°C | -15°C | -20°C | |
| HUC PLUS 6302Z04 MT | 4NES-20Y | 20 | 46.83 | 38.71 | 31.68 | 25.64 | 20.47 | 16.08 |
| HUC PLUS 6302Z05 MT | 4JE-22Y | 22 | 51.95 | 43.18 | 35.52 | 28.87 | 23.11 | 18.15 |
| HUC PLUS 6303Z03 MT | 4HE-25Y | 25 | 60.73 | 50.67 | 41.88 | 34.23 | 27.61 | 21.91 |
| HUC PLUS 6303Z04 MT | 4GE-30Y | 30 | 69.35 | 57.94 | 47.98 | 39.31 | 31.81 | 25.35 |
| HUC PLUS 8002Z03 MT | 4FE-35Y | 35 | 82.01 | 69.01 | 57.59 | 47.59 | 38.85 | 31.26 |
| HUC PLUS 8002Z05 MT | 6GE-40Y | 40 | 100.43 | 84.13 | 69.85 | 57.39 | 46.55 | 37.18 |
| HUC PLUS 8003Z03 MT | 6FE-50Y | 50 | 121.71 | 102.23 | 85.12 | 70.14 | 57.07 | 45.70 |
| HUC PLUS 8003Z05 MT | 8GE-60Y | 60 | 140.32 | 117.95 | 98.23 | 80.87 | 65.61 | 52.20 |

Test condition: Ambient temperature: 35°C, Condensing temperature: 50°C /
Condiciones de prueba: temperatura ambiente: 35°C, temperatura de condensación: 50°C

HUC PLUS CONDENSING UNIT
UNIDAD CONDENSADORA HUC PLUS

**TOP DISCHARGE
DESCARGA SUPERIOR**



Electric data/ Datos eléctricos

| LBP R404A | Compressor/ Compresor | | Condenser/ Condensador | | Axial fan motor/ Ventilador de motor axial | | | | | | Noise/ ruido *Dist =10m | Pipe Fittings/ Tuberías | | N.W | MOC | Liquid Receiver Volume |
|---------------------|--------------------------|----|-----------------------------------|------------------------|---|-------|-------|---------------------------------|--------------------------|-------|----------------------------------|----------------------------|--------|------|-------|---------------------------|
| | Model/ Modelo | HP | Capacity/ Capacidad Δ T=15K | Surface/ Superficie | N°xø | m³/h | Poles | Voltage/ Voltaje (V/50Hz) | Absorption/ Absorción | | | D | S | | | |
| | | | kW | M² | | | | | W | A | | | | | | |
| HUC PLUS 6302Z05 LT | 4HE-18Y | 18 | 68.86 | 276 | 2x630 | 17075 | 6 | 3~380 | 2200 | 4.40 | 56 | 7/8" | 1 5/8" | 823 | 41.10 | 25 |
| HUC PLUS 6303Z03 LT | 4GE-23Y | 20 | 87.02 | 248 | 3x630 | 27103 | 6 | 3~380 | 3300 | 6.60 | 60 | 7/8" | 2 1/8" | 884 | 50.50 | 35 |
| HUC PLUS 6303Z04 LT | 6JE-25Y | 25 | 98.05 | 331 | 3x630 | 26340 | 6 | 3~380 | 3300 | 6.60 | 59 | 1 1/8" | 2 1/8" | 936 | 53.00 | 40 |
| HUC PLUS 8002Z04 LT | 6HE-28Y | 30 | 133.91 | 353 | 2x800 | 38769 | 6 | 3~380 | 3300 | 7.00 | 57 | 1 1/8" | 2 1/8" | 960 | 60.20 | 40 |
| HUC PLUS 8002Z05 LT | 6GE-34Y | 35 | 143.99 | 441 | 2x800 | 37480 | 6 | 3~380 | 3300 | 7.00 | 63 | 1 1/8" | 2 1/8" | 1052 | 72.50 | 50 |
| HUC PLUS 8003Z03 LT | 6FE-44Y | 45 | 165.27 | 397 | 3x800 | 60087 | 6 | 3~380 | 4950 | 10.50 | 64 | 1 3/8" | 2 1/8" | 1108 | 93.70 | 70 |

The noise levels refer to the average value recored during 24h of daily functioning with fan motors controlled speed, standard housing sound absorption and compressor jacket (optional items). Alternative conditions may produce different results. / Los niveles de ruido se refieren al valor promedio registrado durante 24 horas de funcionamiento con ventiladores, velocidad controlada, absorción de sonido con gabinete estándar y chaqueta para compresor (items opcionales). Las condiciones alternativas pueden producir diferentes resultados.

Refrigeration capacity/ Capacidad de refrigeración

| LBP R404A | Compressor/ Compresor | | Performance/ Rendimiento (kW) | | | | | |
|---------------------|--------------------------|----|---|-------|-------|-------|-------|-------|
| | Model/ Modelo | HP | Evaporating Temperature/ Temperatura de evaporación (°C) | | | | | |
| -10°C | | | -15°C | -20°C | -25°C | -30°C | -35°C | |
| HUC PLUS 6302Z05 LT | 4HE-18Y | 18 | 34.98 | 28.34 | 22.62 | 17.72 | 13.57 | 10.07 |
| HUC PLUS 6303Z03 LT | 4GE-23Y | 20 | 40.59 | 33.05 | 26.56 | 21.00 | 16.29 | 12.32 |
| HUC PLUS 6303Z04 LT | 6JE-25Y | 25 | 44.55 | 35.89 | 28.46 | 22.11 | 16.75 | 12.26 |
| HUC PLUS 8002Z04 LT | 6HE-28Y | 30 | 51.51 | 41.74 | 33.32 | 26.10 | 19.97 | 14.80 |
| HUC PLUS 8002Z05 LT | 6GE-34Y | 35 | 60.31 | 49.40 | 39.95 | 31.81 | 24.84 | 18.92 |
| HUC PLUS 8003Z03 LT | 6FE-44Y | 45 | 72.19 | 59.07 | 47.66 | 37.77 | 29.24 | 21.92 |

Test condition: Ambient temperature: 35°C, Condensing temperature: 50°C /
Condiciones de prueba: temperatura ambiente: 35°C, temperatura de condensación: 50°C

HUC -O- CONDENSING UNIT
UNIDAD CONDENSADORA HUC -O-



www.pholod.com.ua

HUC -O- CONDENSING UNIT UNIDAD CONDENSADORA HUC -O-

HUC -O- 4001Z418 MT

- T: Three hase (S: Single phase) /
T: Trifásico (S: Una fase)
- M: Medium and high temperature, L: Low temp. /
M: Media y alta temperatura, L: Baja temp.
- Rows of condenser / Filas de condensador
- R404A
- Fan ø / Ventilador (mm) * N°
- Open-type / De tipo abierto
- Series / Serie

Inner-Grooved Copper Tubing:

The inside surface of copper tubing is grooved with inner slots to enlarge the contact surface area—increasing heat efficiency exchange by 10-12%.

Blue Fin Coating:

On outdoor units, Blue Fin coating helps protect the parts from corrosion.

Supported to the casing by means of a “floating” system that avoids any kind of contact between the copper tubes and the supporting end plates, assuring a long life for the condenser without leaks.

Tubos de cobre con ranuras interiores:

La superficie interna de la tubería de cobre está ranurada con ranuras internas para aumentar el intercambio de eficiencia de calor del área de contacto de superficie en un 10-12%.

Revestimiento de aleta azul:

En las unidades exteriores, el revestimiento Blue Fin ayuda a proteger las piezas de la corrosión.

Soportado a la carcasa por medio de un sistema “flotante” que evita cualquier tipo de contacto entre los tubos de cobre y las placas extremas de soporte, asegurando una larga vida útil del condensador sin fugas.

HUC -O- CONDENSING UNIT UNIDAD CONDENSADORA HUC -O-

General features:

The condensing unit HUC-O range is designed for commercial refrigeration at midium and low temperatures. Specially designed with tropical condenser, low noise operation, easy maintenance, finest components to guarantee final quality control. All condensing units are complied with directives 97/23/EC Pressure Equipment (P.E.D)

Accesorios:

- Powder coated Zinc plate highly anti-corrosion strength
- Tropical condenser coil in copper tube and aluminium fins
- Sound insulation
- Hermetic scroll or reciprocating compressor
- Dural pressure switch with automatic reset
- Filter drier on liquid line
- Sight glass with moisture indicator
- Liquid receiver
- Ziehl-Abegg, Maer or EBM axial fan motors and Weiguang shaded pole motors

Optional items:

- Safety relief valve
- Oil separator
- Crankcase heater
- Suction accumulator
- Different voltage & gas.
- Safety relief valve.

Características generales:

Las unidades condensadoras HUC-O están diseñadas para la refrigeración comercial para alta, media y baja temperatura. Bajo nivel sonoro, y un fácil mantenimiento e instalación. Todos los componentes de control son de alta calidad y marcas reconocidas. Todas las unidades condensadoras cumplen con las directivas 97/23/EC Equipo de presión (P.E.D).

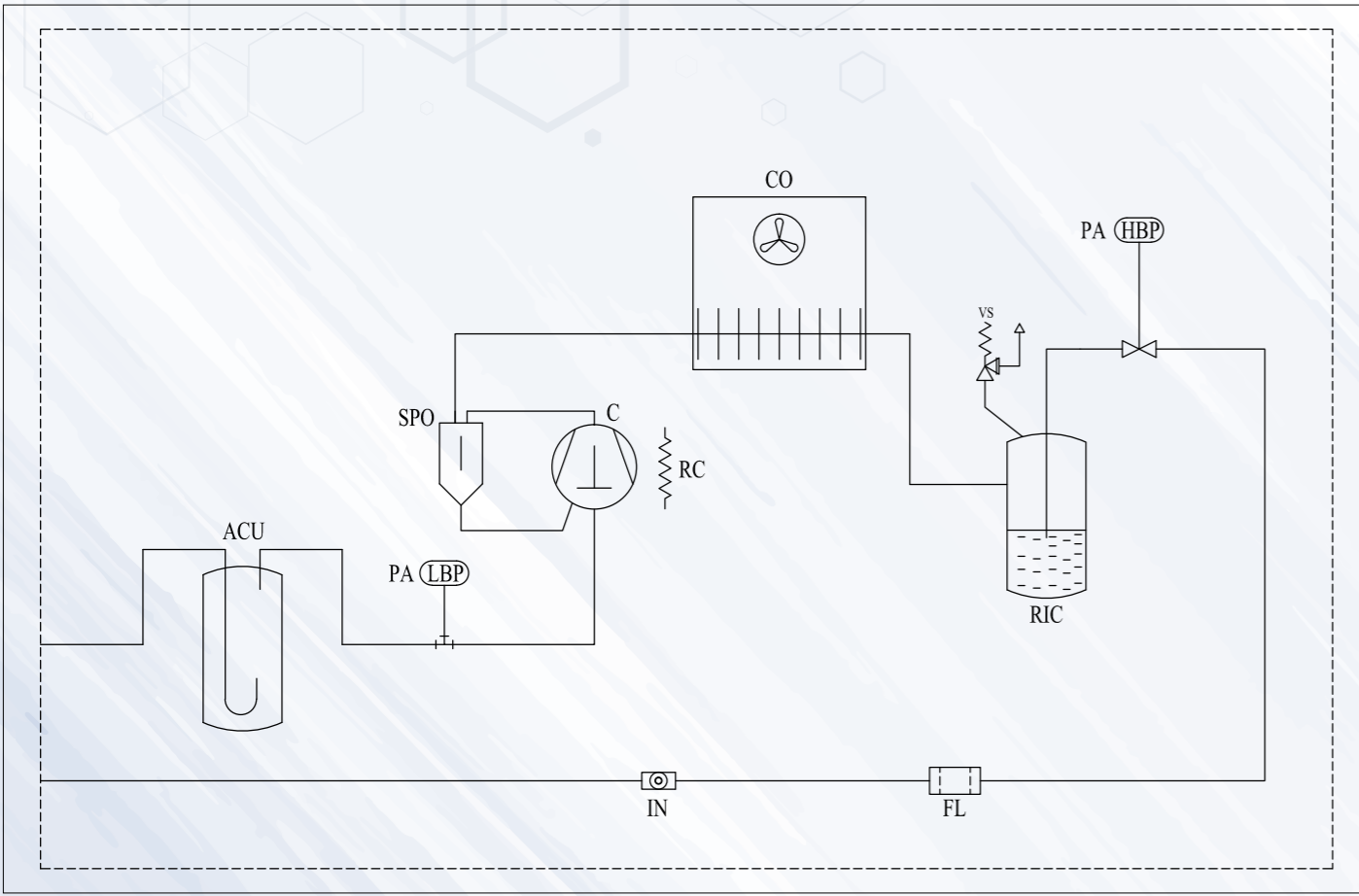
Accesorios:

- Paquete de aletas con tratamiento anti corrosión
- Condensador tropicalizado
- Unidad condensadora insonorizada
- Compresor Scroll o hermetico de pistones
- Doble presostato con rearme automatico. Alta y baja presión
- Filtro deshidratador en línea de líquido
- Visor de líquido
- Recipiente de líquido
- Ventilador axial Ziehl-abegg, Maer o EBM y ventilador Weiguang de polo sombreado

Accesorios opcionales:

- Válvula de seguridad homologada
- Separador de aceite
- Resistencia de carter
- Acumulador de succión
- Diferente voltaje & gas.
- Válvula de seguridad homologada

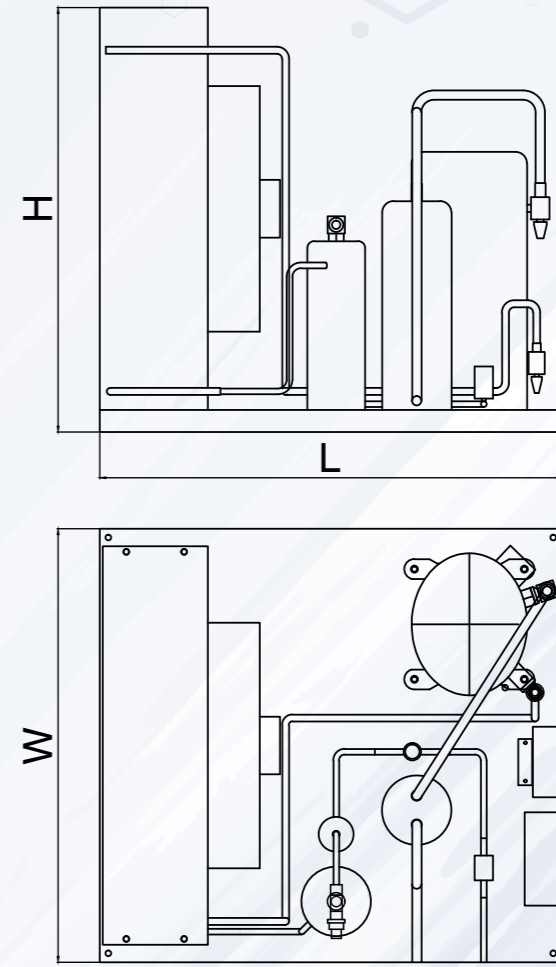
HUC -O- CONDENSING UNIT
 UNIDAD CONDENSADORA HUC -O-



- Accessories:**
 CO -Tropical condenser coil with copper tube and aluminium fins
 C -Hermetic scroll or reciprocating compressor
 PA -Dural pressure switch with automatic reset
 FL -Filter drier on liquid line
 IN -Sight glass with moisture indicator
 RIC -Liquid receiver
- Optional items:**
 SPO -Oil separator
 RC -Crankcase heater
 ACU -Suction accumulator
 VS -Safety relief valve

- Accesorios:**
 CO -Condensador tropicalizado
 C -Compresor Scroll o hermetico de pistones
 PA -Doble presostato con rearme automatico. Alta y baja presión.
 FL -Filtro deshidratador en línea de líquido
 IN -Visor de líquido
 RIC -Recipiente de líquido (calderín)
- Accesorios opcionales:**
 SPO -Separador de aceite
 RC -Resistencia de carter
 ACU -Acumulador de succión
 VS -Válvula de seguridad homologada

HUC -O- CONDENSING UNIT
 UNIDAD CONDENSADORA HUC -O-



| Model/ Model | Dimensions / Dimensiones (mm) | | |
|-----------------------|-------------------------------|------|-----|
| | L | W | H |
| HUC-O-2501 | 650 | 440 | 295 |
| HUC-O-3001 | 700 | 550 | 395 |
| HUC-O-3501 | 800 | 660 | 447 |
| HUC-O-4001 | 800 | 770 | 498 |
| HUC-O-3502 | 1165 | 610 | 585 |
| HUC-O-4002 (24 tubes) | 1165 | 630 | 740 |
| HUC-O-4002 (26 tubes) | 1365 | 630 | 795 |
| HUC-O-4502 | 1365 | 700 | 890 |
| HUC-O-5002 | 1775 | 800 | 890 |
| HUC-O-6302 | 1980 | 1000 | 988 |

HUC -O- CONDENSING UNIT

UNIDAD CONDENSADORA HUC -O-



Electric data/ Datos eléctricos

| HMBP R404A | Compressor/ Compresor | | Condenser/ Condensador | | Axial fan motor/ Ventilador de motor axial | | | | | | Noise/ ruido *Dist. =10m | Pipe Fittings/ Tuberías | | N.W K.G | MOC A | Liquid Receiver Volume L |
|-------------------|--------------------------|-----|---|------------------------------|---|-------|-------|---------------------------------|--------------------------|------|-----------------------------------|----------------------------|--------|------------|----------|--------------------------------|
| | Model/ Modelo | HP | Capacity/ Capacidad Δ T=15K kW | Surface/ Superficie M² | N°xø | m³/h | Poles | Voltage/ Voltaje (V/50Hz) | Absorption/ Absorción | | | D | S | | | |
| | | | | | | | | | W | A | | | | | | |
| HUC-O-4001Z418 MT | ZB15KQE-TFD | 2 | 7.02 | 14.0 | 1x400 | 3101 | 4 | 1~220 | 160 | 0.73 | 49 | 1/2" | 3/4" | 56 | 5.63 | 4 |
| HUC-O-4001Z518 MT | ZB19KQE-TFD | 2.5 | 8.40 | 17.5 | 1x400 | 2914 | 4 | 1~220 | 160 | 0.73 | 49 | 1/2" | 3/4" | 59 | 7.23 | 4 |
| HUC-O-4001Z518 MT | ZB21KQE-TFD | 3 | 8.40 | 17.5 | 1x400 | 2914 | 4 | 1~220 | 160 | 0.73 | 49 | 1/2" | 3/4" | 60 | 7.88 | 4 |
| HUC-O-3502Z420 MT | ZB26KQE-TFD | 3.5 | 13.02 | 28.7 | 2x350 | 4793 | 4 | 1~220 | 260 | 1.16 | 48 | 1/2" | 3/4" | 86 | 10.01 | 4 |
| HUC-O-4002Z424 MT | ZB29KQE-TFD | 4 | 18.12 | 34.5 | 2x400 | 6368 | 4 | 1~220 | 320 | 1.46 | 52 | 1/2" | 7/8" | 105 | 11.46 | 6 |
| HUC-O-4002Z426 MT | ZB38KQE-TFD | 5 | 21.00 | 44.8 | 2x400 | 6963 | 4 | 1~220 | 320 | 1.46 | 52 | 1/2" | 7/8" | 109 | 14.26 | 6 |
| HUC-O-4502Z432 MT | ZB45KQE-TFD | 6 | 31.24 | 55.2 | 2x450 | 11299 | 4 | 1~220 | 700 | 3.10 | 52 | 1/2" | 7/8" | 125 | 16.20 | 8 |
| HUC-O-4502Z432 MT | ZB48KQE-TFD | 7 | 31.24 | 55.2 | 2x450 | 11299 | 4 | 1~220 | 700 | 3.10 | 52 | 3/4" | 7/8" | 125 | 17.10 | 8 |
| HUC-O-5002Z432 MT | ZB58KQE-TFD | 8 | 42.53 | 73.6 | 2x500 | 15758 | 4 | 3~380 | 1640 | 3.18 | 54 | 7/8" | 1 1/8" | 179 | 19.08 | 10 |
| HUC-O-5002Z432 MT | ZB66KQE-TFD | 9 | 42.53 | 73.6 | 2x500 | 15758 | 4 | 3~380 | 1640 | 3.18 | 54 | 7/8" | 1 3/8" | 179 | 20.68 | 10 |
| HUC-O-6302Z436 MT | ZB76KQE-TFD | 10 | 66.97 | 93.1 | 2x630 | 29761 | 4 | 3~380 | 960 | 1.86 | 60 | 7/8" | 1 3/8" | 220 | 22.26 | 10 |

The noise levels refer to the average value recored during 24h of daily functioning with fan motors controlled speed, standard housing sound absorption and compressor jacket (optional items). Alternative conditions may produce different results. /

Los niveles de ruido se refieren al valor promedio registrado durante 24 horas de funcionamiento con ventiladores, velocidad controlada, absorción de sonido con gabinete estándar y chaqueta para compresor (ítems opcionales). Las condiciones alternativas pueden producir diferentes resultados.

Refrigeration capacity/ Capacidad de refrigeración

| HMBP R404A | Compressor/ Compresor | | Performance/ Rendimiento(kW) | | | |
|-------------------|--------------------------|-----|---|-------|-------|-------|
| | Model/ Modelo | HP | Evaporating Temperature/ Temperatura de evaporación (°C) | | | |
| | | | -5°C | -10°C | -15°C | -20°C |
| HUC-O-4001Z418 MT | ZB15KQE-TFD | 2 | 3.60 | 2.95 | 2.37 | 1.84 |
| HUC-O-4001Z518 MT | ZB19KQE-TFD | 2.5 | 4.58 | 3.81 | 3.14 | 2.56 |
| HUC-O-4001Z518 MT | ZB21KQE-TFD | 3 | 5.50 | 4.58 | 3.77 | 3.08 |
| HUC-O-3502Z420 MT | ZB26KQE-TFD | 3.5 | 6.43 | 5.35 | 4.41 | 3.60 |
| HUC-O-4002Z424 MT | ZB29KQE-TFD | 4 | 7.46 | 6.21 | 5.12 | 4.17 |
| HUC-O-4002Z426 MT | ZB38KQE-TFD | 5 | 9.42 | 7.83 | 6.46 | 5.26 |
| HUC-O-4502Z432 MT | ZB45KQE-TFD | 6 | 11.05 | 9.17 | 7.56 | 6.17 |
| HUC-O-4502Z432 MT | ZB48KQE-TFD | 7 | 12.15 | 10.10 | 8.23 | 6.78 |
| HUC-O-5002Z432 MT | ZB58KQE-TFD | 8 | 14.70 | 12.10 | 9.68 | 7.41 |
| HUC-O-5002Z432 MT | ZB66KQE-TFD | 9 | 16.45 | 13.70 | 11.30 | 9.16 |
| HUC-O-6302Z436 MT | ZB76KQE-TFD | 10 | 19.60 | 16.25 | 13.30 | 10.65 |

Test condition: Ambient temperature: 35°C, Condensing temperature: 50°C /
Condiciones de prueba: temperatura ambiente: 35°C, temperatura de condensación: 50°C

HUC -O- CONDENSING UNIT

UNIDAD CONDENSADORA HUC -O-



Electric data/ Datos eléctricos

| LBP R404A | Compressor/ Compresor | | Condenser/ Condensador | | Axial fan motor/ Ventilador de motor axial | | | | | | Noise/ ruido *Dist. =10m | Pipe Fittings/ Tuberías | | N.W K.G | MOC A | Liquid Receiver Volume L |
|-------------------|--------------------------|-----|---|------------------------------|---|------|-------|---------------------------------|--------------------------|------|-----------------------------------|----------------------------|------|------------|----------|--------------------------------|
| | Model/ Modelo | HP | Capacity/ Capacidad Δ T=15K kW | Surface/ Superficie M² | N°xø | m³/h | Poles | Voltage/ Voltaje (V/50Hz) | Absorption/ Absorción | | | D | S | | | |
| | | | | | | | | | W | A | | | | | | |
| HUC-O-4001Z418 LT | ZSI06KQE-TFP | 2 | 7.02 | 14.0 | 1x400 | 3101 | 4 | 1~220 | 160 | 0.73 | 52 | 1/2" | 3/4" | 65 | 6.22 | 4 |
| HUC-O-4001Z418 LT | ZSI08KQE-TFP | 2.5 | 7.02 | 14.0 | 1x400 | 3101 | 4 | 1~220 | 160 | 0.73 | 52 | 1/2" | 3/4" | 65 | 6.62 | 4 |
| HUC-O-4001Z418 LT | ZSI09KQE-TFP | 3 | 7.02 | 14.0 | 1x400 | 3101 | 4 | 1~220 | 160 | 0.73 | 52 | 1/2" | 3/4" | 67 | 7.43 | 4 |
| HUC-O-4001Z418 LT | ZSI11KQE-TFP | 3.5 | 7.02 | 14.0 | 1x400 | 3101 | 4 | 1~220 | 160 | 0.73 | 55 | 1/2" | 7/8" | 71 | 8.23 | 4 |
| HUC-O-4001Z622 LT | ZSI14KQE-TFP | 4.5 | 10.65 | 25.7 | 1x400 | 3046 | 4 | 1~220 | 160 | 0.73 | 57 | 1/2" | 7/8" | 72 | 9.93 | 6 |
| HUC-O-3502Z420 LT | ZSI15KQE-TFP | 5 | 13.02 | 28.7 | 2x350 | 4793 | 4 | 1~220 | 260 | 1.16 | 57 | 1/2" | 7/8" | 80 | 12.57 | 6 |
| HUC-O-3502Z420 LT | ZSI18KQE-TFP | 6 | 13.02 | 28.7 | 2x350 | 4793 | 4 | 1~220 | 260 | 1.16 | 58 | 1/2" | 7/8" | 84 | 14.86 | 8 |
| HUC-O-4002Z424 LT | ZSI21KQE-TFP | 7 | 18.12 | 34.5 | 2x400 | 6368 | 4 | 1~220 | 320 | 1.46 | 59 | 1/2" | 7/8" | 110 | 16.06 | 8 |

The noise levels refer to the average value recored during 24h of daily functioning with fan motors controlled speed, standard housing sound absorption and compressor jacket (optional items). Alternative conditions may produce different results. /

Los niveles de ruido se refieren al valor promedio registrado durante 24 horas de funcionamiento con ventiladores, velocidad controlada, absorción de sonido con gabinete estándar y chaqueta para compresor (ítems opcionales). Las condiciones alternativas pueden producir diferentes resultados.

Refrigeration capacity/ Capacidad de refrigeración

| LBP R404A | Compressor/ Compresor | | Performance/ Rendimiento(kW) | | | | |
|-------------------|--------------------------|-----|---|-------|-------|-------|-------|
| | Model/ Modelo | HP | Evaporating Temperature/ Temperatura de evaporación (°C) | | | | |
| | | | -10°C | -15°C | -20°C | -25°C | -30°C |
| HUC-O-4001Z418 LT | ZSI06KQE-TFP | 2 | 3.18 | 2.60 | 2.11 | 1.69 | 1.33 |
| HUC-O-4001Z418 LT | ZSI08KQE-TFP | 2.5 | 3.85 | 3.17 | 2.59 | 2.11 | 1.71 |
| HUC-O-4001Z418 LT | ZSI09KQE-TFP | 3 | 4.29 | 3.55 | 2.90 | 2.32 | 1.80 |
| HUC-O-4001Z418 LT | ZSI11KQE-TFP | 3.5 | 5.54 | 4.61 | 3.82 | 3.10 | 2.42 |
| HUC-O-4001Z622 LT | ZSI14KQE-TFP | 4.5 | 7.02 | 5.79 | 4.73 | 3.83 | 3.07 |
| HUC-O-3502Z420 LT | ZSI15KQE-TFP | 5 | 7.93 | 6.64 | 5.52 | 4.51 | 3.54 |
| HUC-O-3502Z420 LT | ZSI18KQE-TFP | 6 | 9.63 | 8.01 | 6.62 | 5.41 | 4.38 |

Test condition: Ambient temperature: 35°C, Condensing temperature: 50°C /
Condiciones de prueba: temperatura ambiente: 35°C, temperatura de condensación: 50°C

HUC -O- CONDENSING UNIT
UNIDAD CONDENSADORA HUC -O-



Electric data/ Datos eléctricos

| HMBP R404A | Compressor/ Compresor | | Condenser/ Condensador | | Axial fan motor/ Ventilador de motor axial | | | | | | Noise/ ruido | Pipe Fittings/ Tuberías | | N.W | MOC | Liquid Receiver Volume | | | | | | | | | | | |
|-------------------|--------------------------|-------|---------------------------|------|---|-------|---|-------|-----|------|-----------------|----------------------------|------------------|-----|-------|---------------------------|----|-----------------------------------|------------------------|------|------|-------|---------------------------------|--------------------------|---|---|---|
| | | | | | | | | | | | | Model/ Modelo | Model/ Modelo | | | | HP | Capacity/ Capacidad Δ T=15K | Surface/ Superficie | N°xø | m³/h | Poles | Voltage/ Voltaje (V/50Hz) | Absorption/ Absorción | | D | S |
| | | | | | | | | | | | | | | | | | | | | | | | | W | A | | |
| HUC-O-3501Z416 MS | CAJ4519Z | 1 3/4 | 5.59 | 10.4 | 1x350 | 2219 | 4 | 1~220 | 130 | 0.58 | 49 | 3/8" | 5/8" | 55 | 15.98 | 2 | | | | | | | | | | | |
| HUC-O-3501Z416 MT | TAJ4519Z | 1 3/4 | 5.59 | 10.4 | 1x350 | 2219 | 4 | 1~220 | 130 | 0.58 | 46 | 3/8" | 5/8" | 55 | 5.38 | 2 | | | | | | | | | | | |
| HUC-O-4001Z418 MS | FH4524Z | 2 | 7.02 | 14.0 | 1x400 | 3101 | 4 | 1~220 | 160 | 0.73 | 55 | 1/2" | 5/8" | 60 | 18.83 | 4 | | | | | | | | | | | |
| HUC-O-4001Z418 MT | TFH4524Z | 2 | 7.02 | 14.0 | 1x400 | 3101 | 4 | 1~220 | 160 | 0.73 | 55 | 1/2" | 5/8" | 60 | 7.03 | 4 | | | | | | | | | | | |
| HUC-O-4001Z518 MT | TFH4531Z | 2 3/4 | 8.40 | 17.5 | 1x400 | 2914 | 4 | 1~220 | 160 | 0.73 | 56 | 1/2" | 7/8" | 68 | 8.93 | 4 | | | | | | | | | | | |
| HUC-O-3502Z420 MT | TFH4540Z | 3.5 | 13.02 | 28.7 | 2x350 | 4793 | 4 | 1~220 | 260 | 1.16 | 59 | 1/2" | 7/8" | 93 | 10.36 | 4 | | | | | | | | | | | |
| HUC-O-3502Z420 MT | TAG4546Z | 4 | 13.02 | 28.7 | 2x350 | 4793 | 4 | 1~220 | 260 | 1.16 | 63 | 1/2" | 7/8" | 93 | 12.56 | 6 | | | | | | | | | | | |
| HUC-O-4002Z426 MT | TAG4561Z | 5 | 21.00 | 44.8 | 2x400 | 6963 | 4 | 1~220 | 320 | 1.46 | 64 | 1/2" | 7/8" | 113 | 15.46 | 6 | | | | | | | | | | | |
| HUC-O-4002Z426 MT | TAG4568Z | 6 | 21.00 | 44.8 | 2x400 | 6963 | 4 | 1~220 | 320 | 1.46 | 64 | 1/2" | 7/8" | 115 | 16.66 | 8 | | | | | | | | | | | |
| HUC-O-4502Z432 MT | TAG4573Z | 7 | 31.24 | 73.6 | 2x500 | 11299 | 4 | 1~220 | 700 | 3.10 | 63 | 1/2" | 7/8" | 132 | 21.10 | 8 | | | | | | | | | | | |

The noise levels refer to the average value recored during 24h of daily functioning with fan motors controlled speed, standard housing sound absorption and compressor jacket (optional items). Alternative conditions may produce different results. /
Los niveles de ruido se refieren al valor promedio registrado durante 24 horas de funcionamiento con ventiladores, velocidad controlada, absorción de sonido con gabinete estándar y chaqueta para compresor (items opcionales). Las condiciones alternativas pueden producir diferentes resultados.

Refrigeration capacity/ Capacidad de refrigeración

| HMBP R404A | Compressor/ Compresor | | Performance/ Rendimiento(kW) | | | | |
|-------------------|--------------------------|-------|---|-------|------|-------|-------|
| | | | Evaporating Temperature/ Temperatura de evaporación (°C) | | | | |
| | | | +5°C | 0°C | -5°C | -10°C | -15°C |
| HUC-O-3501Z416 MS | CAJ4519Z | 1 3/4 | 3.91 | 3.13 | 2.48 | 1.93 | 1.46 |
| HUC-O-3501Z416 MT | TAJ4519Z | 1 3/4 | 3.81 | 3.07 | 2.44 | 1.91 | 1.45 |
| HUC-O-4001Z418 MS | FH4524Z | 2 | 5.22 | 4.25 | 3.40 | 2.64 | 1.96 |
| HUC-O-4001Z418 MT | TFH4524Z | 2 | 4.70 | 3.70 | 2.86 | 2.13 | 1.52 |
| HUC-O-4001Z518 MT | TFH4531Z | 2 3/4 | 5.95 | 4.72 | 3.68 | 2.80 | 2.04 |
| HUC-O-3502Z420 MT | TFH4540Z | 3.5 | 7.58 | 6.06 | 4.77 | 3.68 | 2.73 |
| HUC-O-3502Z420 MT | TAG4546Z | 4 | 8.86 | 6.81 | 5.13 | 3.75 | 2.63 |
| HUC-O-4002Z426 MT | TAG4561Z | 5 | 11.03 | 8.62 | 6.62 | 4.95 | 3.56 |
| HUC-O-4002Z426 MT | TAG4568Z | 6 | 12.95 | 10.21 | 7.92 | 6.00 | 4.40 |
| HUC-O-4502Z432 MT | TAG4573Z | 7 | 13.80 | 10.88 | 8.47 | 6.46 | 4.80 |

Test condition: Ambient temperature: 35°C, Condensing temperature: 50°C /
Condiciones de prueba: temperatura ambiente: 35°C, temperatura de condensación: 50°C

HUC -O- CONDENSING UNIT
UNIDAD CONDENSADORA HUC -O-



Electric data/ Datos eléctricos

| LBP R404A | Compressor/ Compresor | | Condenser/ Condensador | | Axial fan motor/ Ventilador de motor axial | | | | | | Noise/ ruido | Pipe Fittings/ Tuberías | | N.W | MOC | Liquid Receiver Volume | | | | | | | | | | | |
|-------------------|--------------------------|---|---------------------------|------|---|------|---|-------|-----|------|-----------------|----------------------------|------------------|-----|-------|---------------------------|----|-----------------------------------|------------------------|------|------|-------|---------------------------------|--------------------------|---|---|---|
| | | | | | | | | | | | | Model/ Modelo | Model/ Modelo | | | | HP | Capacity/ Capacidad Δ T=15K | Surface/ Superficie | N°xø | m³/h | Poles | Voltage/ Voltaje (V/50Hz) | Absorption/ Absorción | | D | S |
| | | | | | | | | | | | | | | | | | | | | | | | | W | A | | |
| HUC-O-3501Z416 LS | FH2480Z | 2 | 5.59 | 10.4 | 1x350 | 2219 | 4 | 1~220 | 130 | 0.58 | 54 | 1/2" | 5/8" | 65 | 16.58 | 4 | | | | | | | | | | | |
| HUC-O-3501Z416 LT | TFH2480Z | 2 | 5.59 | 10.4 | 1x350 | 2219 | 4 | 1~220 | 130 | 0.58 | 52 | 1/2" | 5/8" | 65 | 5.38 | 4 | | | | | | | | | | | |
| HUC-O-4001Z418 LT | TFH2511Z | 3 | 7.02 | 14.0 | 1x400 | 3101 | 4 | 1~220 | 160 | 0.73 | 58 | 1/2" | 5/8" | 71 | 5.73 | 4 | | | | | | | | | | | |
| HUC-O-4001Z418 LT | TAG2516Z | 4 | 7.02 | 14.0 | 1x400 | 3101 | 4 | 1~220 | 160 | 0.73 | 55 | 5/8" | 7/8" | 75 | 10.54 | 6 | | | | | | | | | | | |
| HUC-O-3502Z420 LT | TAG2522Z | 6 | 13.02 | 28.7 | 2x350 | 4793 | 4 | 1~220 | 260 | 1.16 | 57 | 5/8" | 1-1/8" | 84 | 13.66 | 8 | | | | | | | | | | | |

The noise levels refer to the average value recored during 24h of daily functioning with fan motors controlled speed, standard housing sound absorption and compressor jacket (optional items). Alternative conditions may produce different results. /
Los niveles de ruido se refieren al valor promedio registrado durante 24 horas de funcionamiento con ventiladores, velocidad controlada, absorción de sonido con gabinete estándar y chaqueta para compresor (items opcionales). Las condiciones alternativas pueden producir diferentes resultados.

Refrigeration capacity/ Capacidad de refrigeración

| LBP R404A | Compressor/ Compresor | | Performance/ Rendimiento(kW) | | | | |
|-------------------|--------------------------|---|---|-------|-------|-------|-------|
| | | | Evaporating Temperature/ Temperatura de evaporación (°C) | | | | |
| | | | -10°C | -15°C | -20°C | -25°C | -30°C |
| HUC-O-3501Z416 LS | FH2480Z | 2 | 2.82 | 2.17 | 1.63 | 1.18 | 0.79 |
| HUC-O-3501Z416 LT | TFH2480Z | 2 | 2.70 | 2.11 | 1.61 | 1.18 | 0.81 |
| HUC-O-4001Z418 LT | TFH2511Z | 3 | 3.90 | 2.97 | 2.20 | 1.59 | 1.09 |
| HUC-O-4001Z418 LT | TAG2516Z | 4 | 5.67 | 4.32 | 3.21 | 2.30 | 1.59 |
| HUC-O-3502Z420 LT | TAG2522Z | 6 | 6.98 | 5.29 | 3.92 | 2.83 | 1.95 |

Test condition: Ambient temperature: 35°C, Condensing temperature: 50°C /
Condiciones de prueba: temperatura ambiente: 35°C, temperatura de condensación: 50°C

HUC -O- CONDENSING UNIT

UNIDAD CONDENSADORA HUC -O-

Electric data/ Datos eléctricos



| HMBP R404A | Compressor/ Compresor | | Condenser/ Condensador | | Axial fan motor/ Ventilador de motor axial | | | | | | Noise/ ruido | Pipe Fittings/ Tuberías | | N.W | MOC | Liquid Receiver Volume | | | | | | | | | | |
|-------------------|--------------------------|-------|---------------------------|------|---|------|---|-------|-----|------|-----------------|----------------------------|------|-----|-------|---------------------------|-----------------------------------|------------------------|------|------|-------|---------------------------------|--------------------------|---|---|---|
| | | | | | | | | | | | | Model/ Modelo | HP | | | | Capacity/ Capacidad Δ T=15K | Surface/ Superficie | N°xø | m³/h | Poles | Voltage/ Voltaje (V/50Hz) | Absorption/ Absorción | | D | S |
| | | | | | | | | | | | | | | | | | | | | | | | W | A | | |
| HUC-O-2501Z410 MS | NEK6210GK | 1/2 | 1.54 | 3.8 | 1x250 | 526 | 4 | 1~220 | 45 | 0.21 | 38 | 1/4" | 3/8" | 36 | 3.41 | 1 | | | | | | | | | | |
| HUC-O-3001Z412 MS | NEK6213GK | 3/4 | 2.86 | 5.4 | 1x300 | 1056 | 4 | 1~220 | 72 | 0.32 | 41 | 1/4" | 3/8" | 42 | 5.34 | 1 | | | | | | | | | | |
| HUC-O-3001Z412 MS | NEU6215GK | 3/4 | 2.86 | 5.4 | 1x300 | 1056 | 4 | 1~220 | 72 | 0.32 | 41 | 1/4" | 3/8" | 42 | 4.63 | 1 | | | | | | | | | | |
| HUC-O-3001Z414 MS | NEU6220GK | 3/4 | 3.49 | 7.3 | 1x300 | 1233 | 4 | 1~220 | 72 | 0.32 | 41 | 1/4" | 3/8" | 44 | 5.73 | 1 | | | | | | | | | | |
| HUC-O-3001Z414 MS | NT6222GK | 1 | 3.49 | 7.3 | 1x300 | 1233 | 4 | 1~220 | 72 | 0.32 | 42 | 1/4" | 3/8" | 44 | 6.36 | 2 | | | | | | | | | | |
| HUC-O-3501Z416 MS | NT6226GK | 1 1/4 | 5.59 | 10.4 | 1x350 | 2219 | 4 | 1~220 | 130 | 0.58 | 45 | 3/8" | 5/8" | 55 | 9.37 | 2 | | | | | | | | | | |
| HUC-O-3501Z416 MS | NJ9238GK | 1 1/2 | 5.59 | 10.4 | 1x350 | 2219 | 4 | 1~220 | 130 | 0.58 | 45 | 3/8" | 5/8" | 55 | 11.54 | 2 | | | | | | | | | | |

The noise levels refer to the average value recored during 24h of daily functioning with fan motors controlled speed, standard housing sound absorption and compressor jacket (optional items). Alternative conditions may produce different results. /

Los niveles de ruido se refieren al valor promedio registrado durante 24 horas de funcionamiento con ventiladores, velocidad controlada, absorción de sonido con gabinete estándar y chaqueta para compresor (ítems opcionales). Las condiciones alternativas pueden producir diferentes resultados.

Refrigeration capacity/ Capacidad de refrigeración

| HMBP R404A | Compressor/ Compresor | | Performance/ Rendimiento(kW) | | | | |
|-------------------|--------------------------|-------|---|------|------|-------|-------|
| | | | Evaporating Temperature/ Temperatura de evaporación (°C) | | | | |
| | | | +5°C | 0°C | -5°C | -10°C | -15°C |
| HUC-O-2501Z410 MS | NEK6210GK | 1/2 | 1.19 | 0.99 | 0.82 | 0.68 | 0.57 |
| HUC-O-3001Z412 MS | NEK6213GK | 3/4 | 1.60 | 1.33 | 1.10 | 0.91 | 0.74 |
| HUC-O-3001Z412 MS | NEU6215GK | 3/4 | 1.79 | 1.60 | 1.24 | 1.01 | 0.81 |
| HUC-O-3001Z414 MS | NEU6220GK | 3/4 | 2.10 | 1.75 | 1.44 | 1.17 | 0.95 |
| HUC-O-3001Z414 MS | NT6222GK | 1 | 1.99 | 1.63 | 1.31 | 1.03 | 0.81 |
| HUC-O-3501Z416 MS | NT6226GK | 1 1/4 | 2.98 | 2.46 | 2.01 | 1.62 | 1.30 |
| HUC-O-3501Z416 MS | NJ9238GK | 1 1/2 | 3.58 | 2.97 | 2.42 | 1.94 | 1.51 |

Test condition: Ambient temperature: 30°C, Condensing temperature: 45°C /
Condiciones de prueba: temperatura ambiente: 30°C, temperatura de condensación: 45°C

HUC -O- CONDENSING UNIT

UNIDAD CONDENSADORA HUC -O-

Electric data/ Datos eléctricos



| LBP R404A | Compressor/ Compresor | | Condenser/ Condensador | | Axial fan motor/ Ventilador de motor axial | | | | | | Noise/ ruido | Pipe Fittings/ Tuberías | | N.W | MOC | Liquid Receiver Volume | | | | | | | | | | |
|-------------------|--------------------------|-----|---------------------------|-----|---|-----|---|-------|----|------|-----------------|----------------------------|------|-----|------|---------------------------|-----------------------------------|------------------------|------|------|-------|---------------------------------|--------------------------|---|---|---|
| | | | | | | | | | | | | Model/ Modelo | HP | | | | Capacity/ Capacidad Δ T=15K | Surface/ Superficie | N°xø | m³/h | Poles | Voltage/ Voltaje (V/50Hz) | Absorption/ Absorción | | D | S |
| | | | | | | | | | | | | | | | | | | | | | | | W | A | | |
| HUC-O-2501Z211 LS | NEU2155GK | 1/2 | 1.29 | 2.1 | 1x250 | 777 | 4 | 1~220 | 45 | 0.21 | 38 | 1/4" | 3/8" | 31 | 4.00 | 1 | | | | | | | | | | |
| HUC-O-2501Z310 LS | NEU2168GK | 3/4 | 1.47 | 2.9 | 1x250 | 610 | 4 | 1~220 | 45 | 0.21 | 38 | 1/4" | 3/8" | 33 | 4.59 | 1 | | | | | | | | | | |
| HUC-O-2501Z310 LS | NEU2178GK | 3/4 | 1.47 | 2.9 | 1x250 | 610 | 4 | 1~220 | 45 | 0.21 | 38 | 1/4" | 3/8" | 33 | 4.48 | 1 | | | | | | | | | | |

The noise levels refer to the average value recored during 24h of daily functioning with fan motors controlled speed, standard housing sound absorption and compressor jacket (optional items). Alternative conditions may produce different results. /

Los niveles de ruido se refieren al valor promedio registrado durante 24 horas de funcionamiento con ventiladores, velocidad controlada, absorción de sonido con gabinete estándar y chaqueta para compresor (ítems opcionales). Las condiciones alternativas pueden producir diferentes resultados.

Refrigeration capacity/ Capacidad de refrigeración

| LBP R404A | Compressor/ Compresor | | Performance/ Rendimiento(kW) | | | | |
|-------------------|--------------------------|-----|---|-------|-------|-------|-------|
| | | | Evaporating Temperature/ Temperatura de evaporación (°C) | | | | |
| | | | -10°C | -15°C | -20°C | -25°C | -30°C |
| HUC-O-2501Z211 LS | NEU2155GK | 1/2 | 1.24 | 1.02 | 0.82 | 0.65 | 0.50 |
| HUC-O-2501Z310 LS | NEU2168GK | 3/4 | 1.40 | 1.15 | 0.93 | 0.73 | 0.57 |
| HUC-O-2501Z310 LS | NEU2178GK | 3/4 | 1.67 | 1.38 | 1.12 | 0.89 | 0.69 |

Test condition: Ambient temperature: 30°C, Condensing temperature: 45°C /
Condiciones de prueba: temperatura ambiente: 30°C, temperatura de condensación: 45°C



Factory / Fábrica
 Taizhou Hispania Refrigeration Equipment Co., Ltd.
 B-10 Taizhou Economic Zone, Jiangsu, China
 Tel. +86 523 80805001
 Fax. +86 523 80805666
 Jackie@hispaniacorp.com
 www.hispaniacorp.com



Distributors / Distribuidores

- Israel
- China
- Chile
- Spain
- Colombia
- Australia
- Mexico
- Thailand
- UK
- New Zealand
- Algeria
- Ukraine
- Malaysia
- Poland
- Peru
- Uruguay
- Russia
- Hungary
- Panama
- Bulgaria
- India
- Equator
- USA
- Yemen
- France
- Malta
- Saudi Arabia
- Gabon
- El Salvador
- Lebanon
- Turkey
- Dominica
- Argentina
- Syria
- Italy
- Venezuela
- Singapore
- Madagascar
- Dubai
- Uzbekistan
- Costa Rica