



Одноконтурные паяные пластинчатые теплообменники WTK
(P15 - конденсаторы)



DATA	15.02.2019
CUSTOMER	
REFERENCE	

Condenser model		P15-30 S-F	
Number of circuits		1	1
Requested capacity	kW	25,50	
Margin	%	0	
PED category		---	

INPUT DATA		PRIMARY SIDE	SECONDARY SIDE
Refrigerant		R407C	
Condensing Temperature	°C	40 (Dew)	
Condensing Pressure	bar A	15,413	
Subcooling	K	5	
Pressure drop	kPa	1	
Fluid			WATER
Inlet Temperature	°C		30
Outlet Temperature	°C		35
Flow rate	m ³ /h		4,41
Pressure drop	kPa		8,8
Fouling factor	(m ² K)/W		0,000043
Velocity (Inside)	m/s	---	0,15
Exchange coefficient	W/(m ² K)	1033	6047
DTML	°C		7,21

WARNING

No warnings

DIMENSIONS

Surface	m ²		4,5
Weight	kg		20
Channel volume	dm ³	3,8	4,1
Height	mm		530
Width	mm		256
Depth	mm		79,9
Connections		ODS 54/ODS 54	2" G/2" G

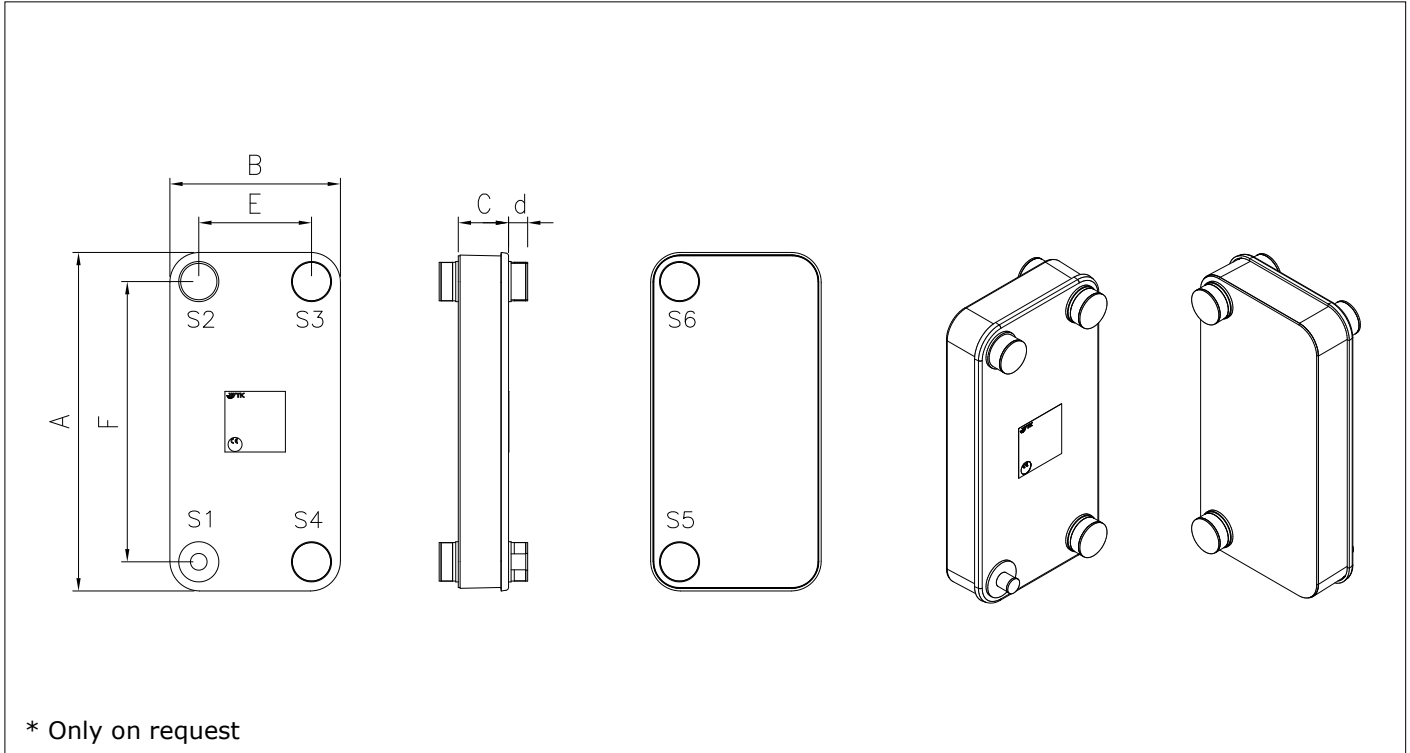
OFFER

Unit net price	Euro	
----------------	------	--

NOTES

--

DATA	15.02.2019
CUSTOMER	
REFERENCE	

DRAWING

DIMENSIONS (mm)
DATA

Dimension	Value	Port	Port Size	Property	Value	Value
A	530	S1	ODS 22	Surface	m?	4,5
B	256	S2	ODS 54	Weight	kg	20
C	79,9	S3	2" G			
E	177	S4	2" G			
F	439	S5*	2" G			
G	--	S6*	2" G			
d	27	S7	--			
		S8	--			

This software is only to be used as an assistance and does not replace the necessary specialist knowledge and experience when designing heat exchangers. We continuously work in order to improve and correct the software. Nevertheless we cannot guarantee its absolute infallibility. Therefore the use of the program is at the user's risk.

DATA	15.02.2019
CUSTOMER	
REFERENCE	

Condenser model		P15-40 S-F	
Number of circuits		1	1
Requested capacity	kW	34,07	
Margin	%	0	
PED category		---	

INPUT DATA		PRIMARY SIDE	SECONDARY SIDE
Refrigerant		R407C	
Condensing Temperature	°C	40 (Dew)	
Condensing Pressure	bar A	15,413	
Subcooling	K	5	
Pressure drop	kPa	1	
Fluid			WATER
Inlet Temperature	°C		30
Outlet Temperature	°C		35
Flow rate	m ³ /h		5,90
Pressure drop	kPa		9,2
Fouling factor	(m ² K)/W		0,000043
Velocity (Inside)	m/s	---	0,15
Exchange coefficient	W/(m ² K)	1038	6056
DTML	°C		7,21

WARNING

No warnings

DIMENSIONS

Surface	m ²	6	
Weight	kg	25	
Channel volume	dm ³	5,1	5,4
Height	mm	530	
Width	mm	256	
Depth	mm	103,9	
Connections		ODS 54/ODS 54	2" G/2" G

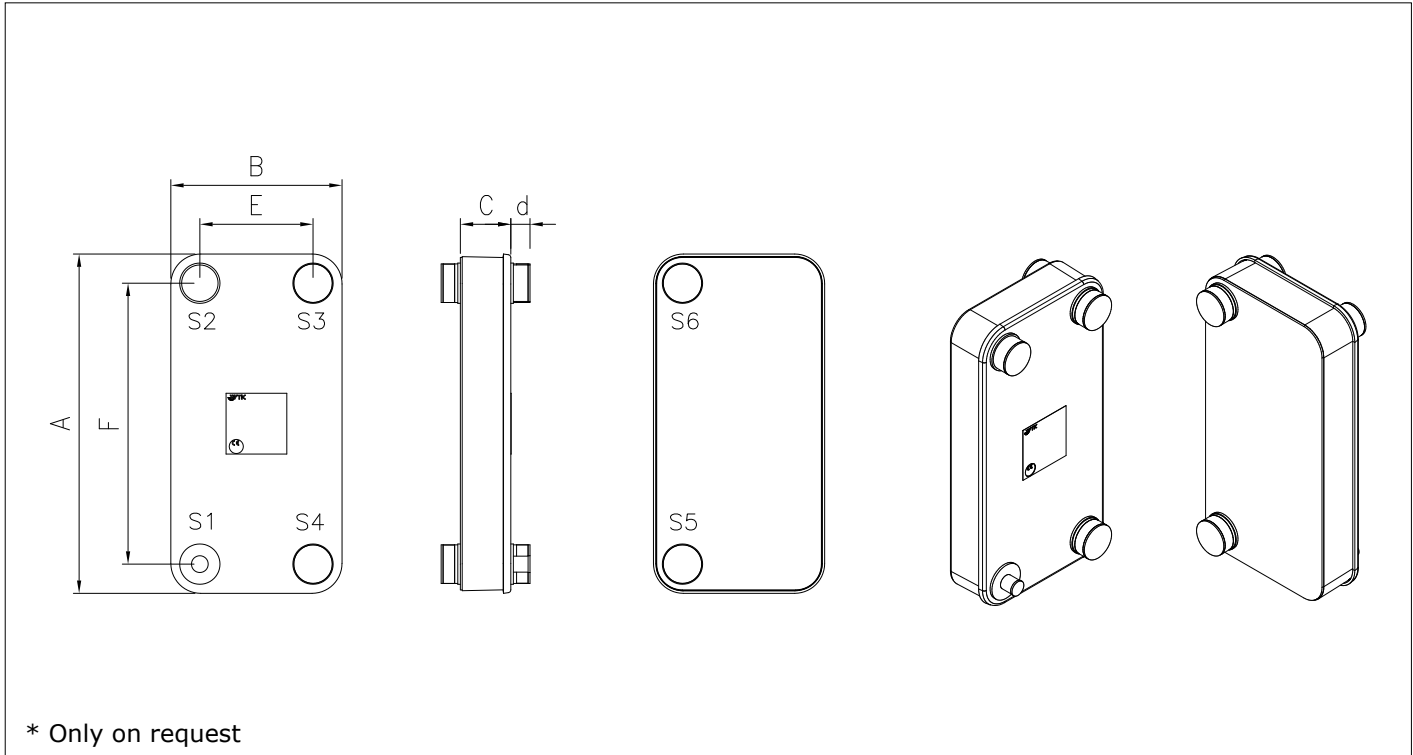
OFFER

Unit net price	Euro	
----------------	------	--

NOTES

--

DATA	15.02.2019
CUSTOMER	
REFERENCE	

DRAWING

DIMENSIONS (mm)
DATA

Dimension	Value	Port	Material	Surface	Weight	Unit	Value
A	530	S1	ODS 22	Surface	m?		6
B	256	S2	ODS 54	Weight	kg		25
C	103,9	S3	2" G				
E	177	S4	2" G				
F	439	S5*	2" G				
G	--	S6*	2" G				
d	27	S7	--				
		S8	--				

This software is only to be used as an assistance and does not replace the necessary specialist knowledge and experience when designing heat exchangers. We continuously work in order to improve and correct the software. Nevertheless we cannot guarantee its absolute infallibility. Therefore the use of the program is at the user's risk.

DATA	15.02.2019
CUSTOMER	
REFERENCE	

Condenser model		P15-50 S-F	
Number of circuits		1	1
Requested capacity	kW	42,67	
Margin	%	0	
PED category		---	

INPUT DATA		PRIMARY SIDE	SECONDARY SIDE
Refrigerant		R407C	
Condensing Temperature	°C	40 (Dew)	
Condensing Pressure	bar A	15,413	
Subcooling	K	5	
Pressure drop	kPa	1	
Fluid			WATER
Inlet Temperature	°C		30
Outlet Temperature	°C		35
Flow rate	m ³ /h		7,39
Pressure drop	kPa		9,6
Fouling factor	(m ² K)/W		0,000043
Velocity (Inside)	m/s	---	0,15
Exchange coefficient	W/(m ² K)	1041	6064
DTML	°C		7,21

WARNING

No warnings

DIMENSIONS

Surface	m ²		7,5
Weight	kg		29
Channel volume	dm ³	6,5	6,8
Height	mm		530
Width	mm		256
Depth	mm		127,9
Connections		ODS 54/ODS 54	2" G/2" G

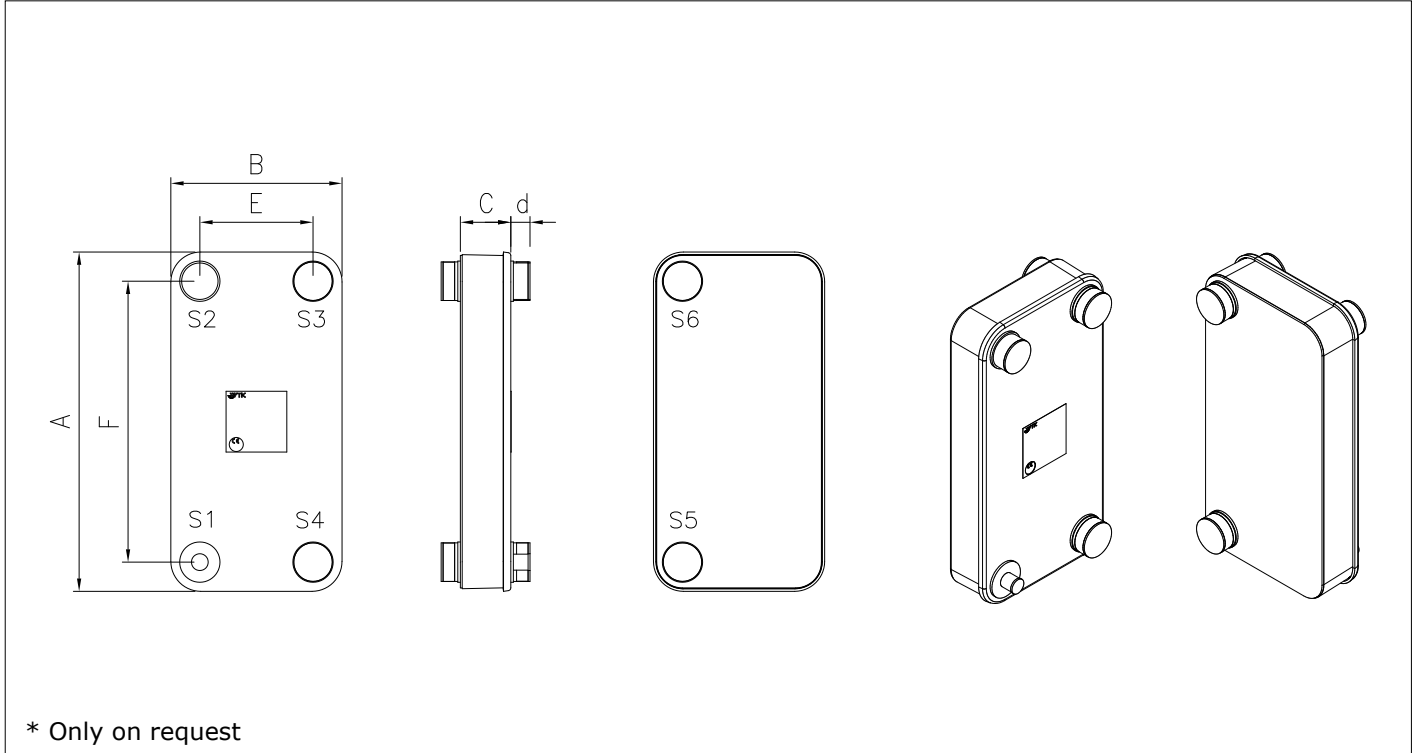
OFFER

Unit net price	Euro	
----------------	------	--

NOTES

--

DATA	15.02.2019
CUSTOMER	
REFERENCE	

DRAWING

DIMENSIONS (mm)
DATA

Dimension	Value	Port	Port Size	Material	Unit	Weight
A	530	S1	ODS 22	Surface	m?	7,5
B	256	S2	ODS 54	Weight	kg	29
C	127,9	S3	2" G			
E	177	S4	2" G			
F	439	S5*	2" G			
G	--	S6*	2" G			
d	27	S7	--			
		S8	--			

This software is only to be used as an assistance and does not replace the necessary specialist knowledge and experience when designing heat exchangers. We continuously work in order to improve and correct the software. Nevertheless we cannot guarantee its absolute infallibility. Therefore the use of the program is at the user's risk.

DATA	15.02.2019		
CUSTOMER			
REFERENCE			

Condenser model		P15-60 S-F	
Number of circuits		1	1
Requested capacity	kW	51,21	
Margin	%	0	
PED category		---	

INPUT DATA		PRIMARY SIDE	SECONDARY SIDE
Refrigerant		R407C	
Condensing Temperature	°C	40 (Dew)	
Condensing Pressure	bar A	15,413	
Subcooling	K	5	
Pressure drop	kPa	1	
Fluid			WATER
Inlet Temperature	°C		30
Outlet Temperature	°C		35
Flow rate	m ³ /h		8,87
Pressure drop	kPa		10,0
Fouling factor	(m ² K)/W		0,000043
Velocity (Inside)	m/s	---	0,15
Exchange coefficient	W/(m ² K)	1043	6064
DTML	°C		7,21

WARNING

No warnings

DIMENSIONS

Surface	m ²	9	
Weight	kg	33	
Channel volume	dm ³	7,8	8,1
Height	mm	530	
Width	mm	256	
Depth	mm	151,9	
Connections		ODS 54/ODS 54	2" G/2" G

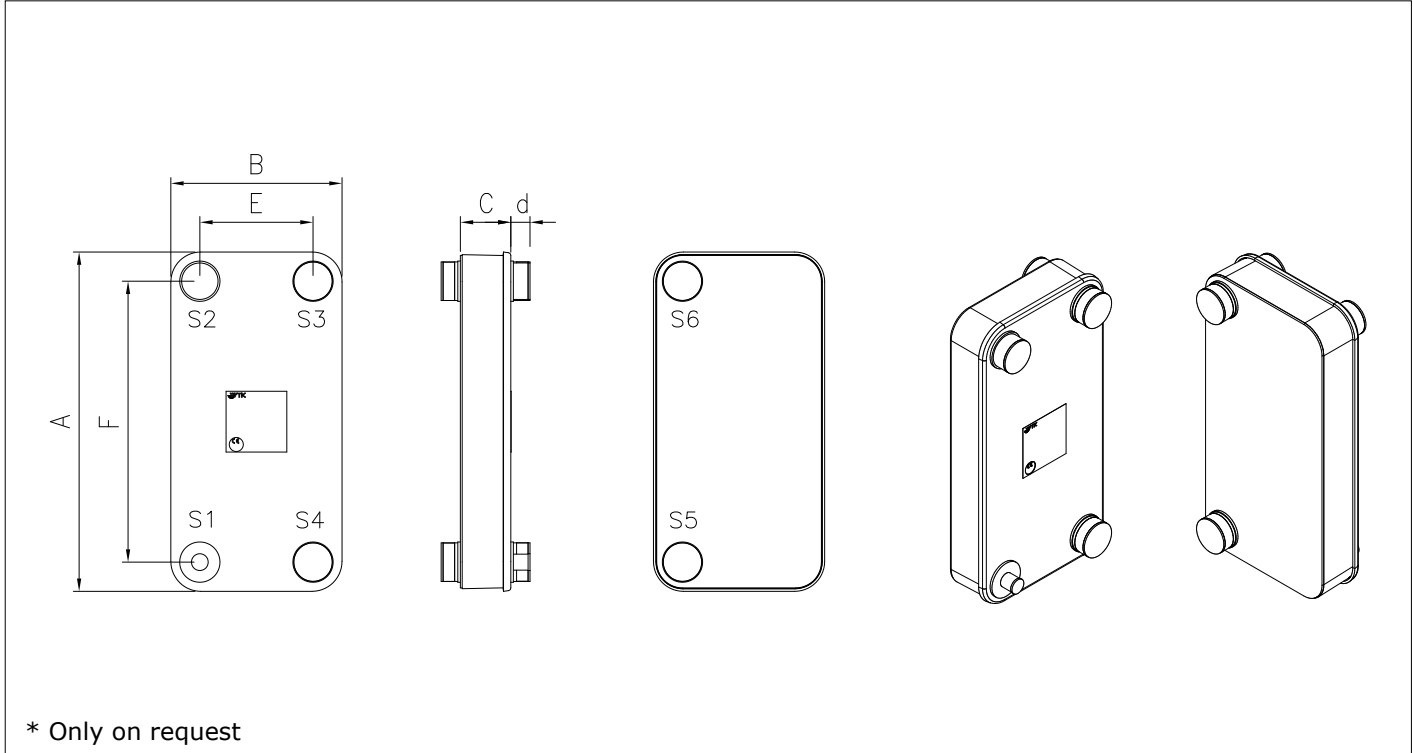
OFFER

Unit net price	Euro	
----------------	------	--

NOTES

--

DATA	15.02.2019
CUSTOMER	
REFERENCE	

DRAWING

DIMENSIONS (mm)
DATA

DIMENSIONS (mm)	DATA
A	530
B	256
C	151,9
E	177
F	439
L	--
d	27
S1	ODS 22
S2	ODS 54
S3	2" G
S4	2" G
S5*	2" G
S6*	2" G
S7	--
S8	--
Surface	m?
Weight	kg
	9
	33

This software is only to be used as an assistance and does not replace the necessary specialist knowledge and experience when designing heat exchangers. We continuously work in order to improve and correct the software. Nevertheless we cannot guarantee its absolute infallibility. Therefore the use of the program is at the user's risk.

DATA	15.02.2019
CUSTOMER	
REFERENCE	

Condenser model		P15-70 S-F	
Number of circuits		1	1
Requested capacity	kW	59,78	
Margin	%	0	
PED category		---	

INPUT DATA		PRIMARY SIDE	SECONDARY SIDE
Refrigerant		R407C	
Condensing Temperature	°C	40 (Dew)	
Condensing Pressure	bar A	15,413	
Subcooling	K	5	
Pressure drop	kPa	1	
Fluid			WATER
Inlet Temperature	°C		30
Outlet Temperature	°C		35
Flow rate	m ³ /h		10,35
Pressure drop	kPa		10,6
Fouling factor	(m ² K)/W		0,000043
Velocity (Inside)	m/s	---	0,15
Exchange coefficient	W/(m ² K)	1045	6067
DTML	°C		7,21

WARNING

No warnings

DIMENSIONS

Surface	m ²		10,5
Weight	kg		37
Channel volume	dm ³	9,2	9,5
Height	mm		530
Width	mm		256
Depth	mm		175,9
Connections		ODS 54/ODS 54	2" G/2" G

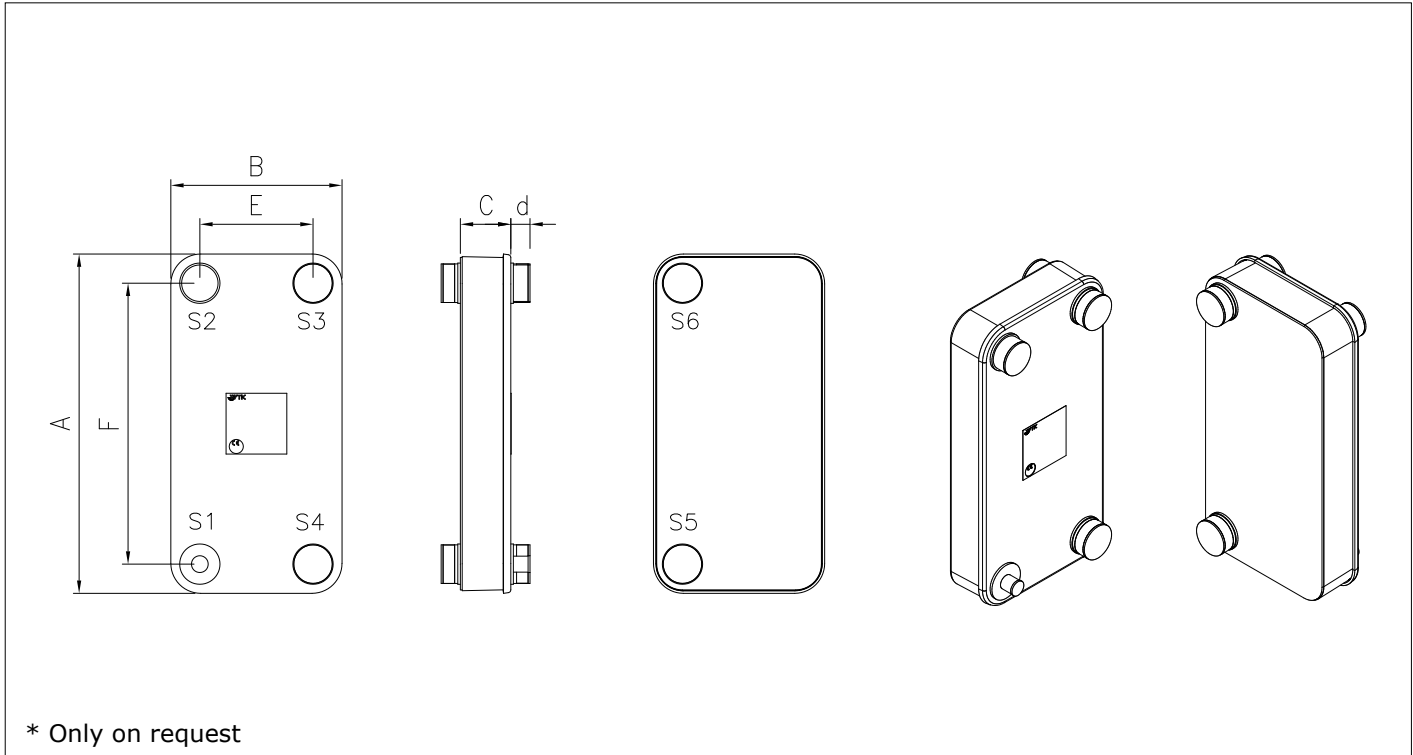
OFFER

Unit net price	Euro	
----------------	------	--

NOTES

--

DATA	15.02.2019
CUSTOMER	
REFERENCE	

DRAWING

DIMENSIONS (mm)
DATA

Dimension	Value	Port	Material	Surface	Weight	Unit	Value
A	530	S1	ODS 22	Surface	m?		10,5
B	256	S2	ODS 54	Weight	kg		37
C	175,9	S3	2" G				
E	177	S4	2" G				
F	439	S5*	2" G				
G	--	S6*	2" G				
d	27	S7	--				
		S8	--				

This software is only to be used as an assistance and does not replace the necessary specialist knowledge and experience when designing heat exchangers. We continuously work in order to improve and correct the software. Nevertheless we cannot guarantee its absolute infallibility. Therefore the use of the program is at the user's risk.

DATA	15.02.2019
CUSTOMER	
REFERENCE	

Condenser model		P15-80 S-F	
Number of circuits		1	1
Requested capacity	kW	68,38	
Margin	%	0	
PED category		---	

INPUT DATA		PRIMARY SIDE	SECONDARY SIDE
Refrigerant		R407C	
Condensing Temperature	°C	40 (Dew)	
Condensing Pressure	bar A	15,413	
Subcooling	K	5	
Pressure drop	kPa	1	
Fluid			WATER
Inlet Temperature	°C		30
Outlet Temperature	°C		35
Flow rate	m ³ /h		11,84
Pressure drop	kPa		11,2
Fouling factor	(m ² K)/W		0,000043
Velocity (Inside)	m/s	---	0,15
Exchange coefficient	W/(m ² K)	1046	6070
DTML	°C		7,21

WARNING

No warnings

DIMENSIONS

Surface	m ²	12	
Weight	kg	41	
Channel volume	dm ³	10,5	10,8
Height	mm	530	
Width	mm	256	
Depth	mm	199,9	
Connections		ODS 54/ODS 54	2" G/2" G

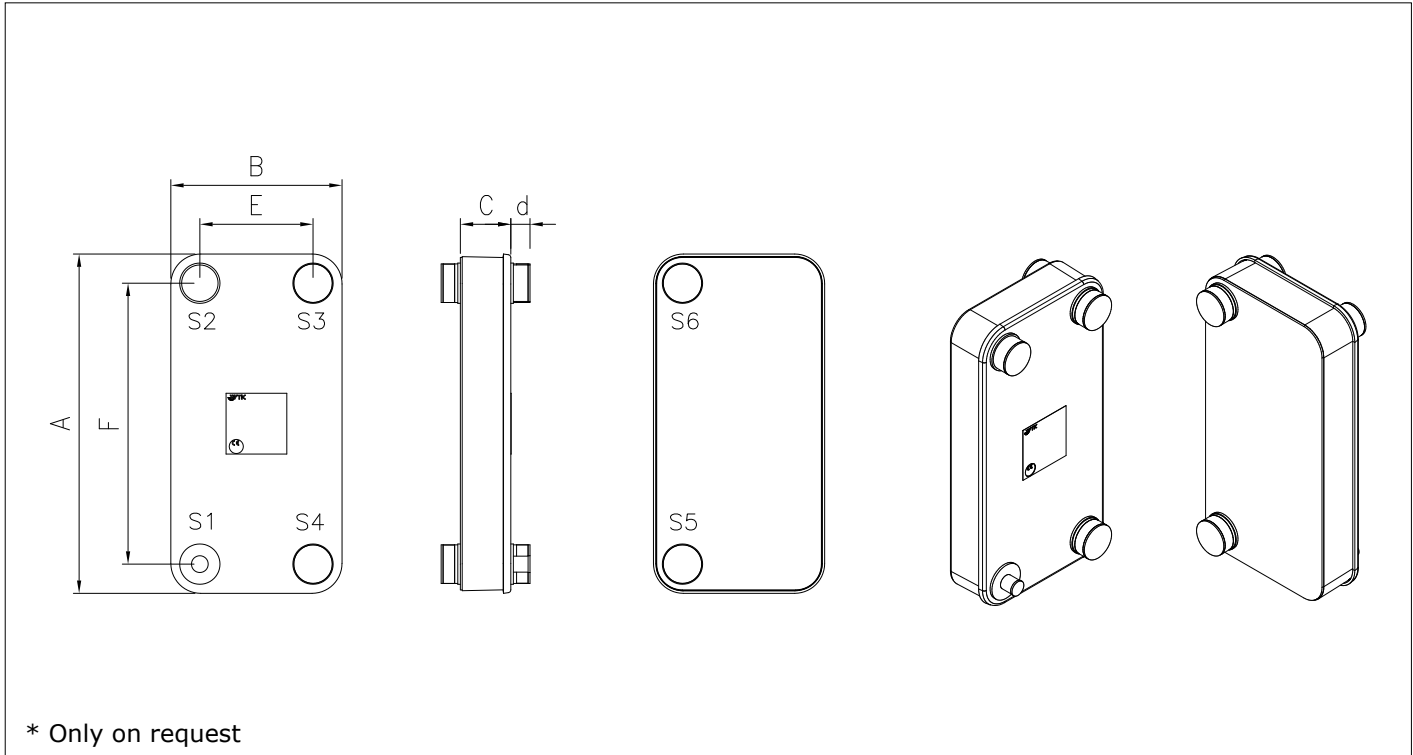
OFFER

Unit net price	Euro	
----------------	------	--

NOTES

--

DATA	15.02.2019
CUSTOMER	
REFERENCE	

DRAWING

DIMENSIONS (mm)
DATA

Dimension	Value	Port	Port Size	Material	Weight	Surface
A	530	S1	ODS 22	Surface	m?	12
B	256	S2	ODS 54	Weight	kg	41
C	199,9	S3	2" G			
E	177	S4	2" G			
F	439	S5*	2" G			
G	--	S6*	2" G			
d	27	S7	--			
		S8	--			

This software is only to be used as an assistance and does not replace the necessary specialist knowledge and experience when designing heat exchangers. We continuously work in order to improve and correct the software. Nevertheless we cannot guarantee its absolute infallibility. Therefore the use of the program is at the user's risk.

DATA	15.02.2019
CUSTOMER	
REFERENCE	

Condenser model		P15-100 S-F	
Number of circuits		1	1
Requested capacity	kW	85,54	
Margin	%	0	
PED category		---	

INPUT DATA		PRIMARY SIDE	SECONDARY SIDE
Refrigerant		R407C	
Condensing Temperature	°C	40 (Dew)	
Condensing Pressure	bar A	15,413	
Subcooling	K	5	
Pressure drop	kPa	1	
Fluid			WATER
Inlet Temperature	°C		30
Outlet Temperature	°C		35
Flow rate	m ³ /h		14,81
Pressure drop	kPa		12,7
Fouling factor	(m ² K)/W		0,000043
Velocity (Inside)	m/s	---	0,15
Exchange coefficient	W/(m ² K)	1047	6073
DTML	°C		7,21

WARNING

No warnings

DIMENSIONS

Surface	m ²	15	
Weight	kg	49	
Channel volume	dm ³	13,2	13,5
Height	mm	530	
Width	mm	256	
Depth	mm	247,9	
Connections		ODS 54/ODS 54	2" G/2" G

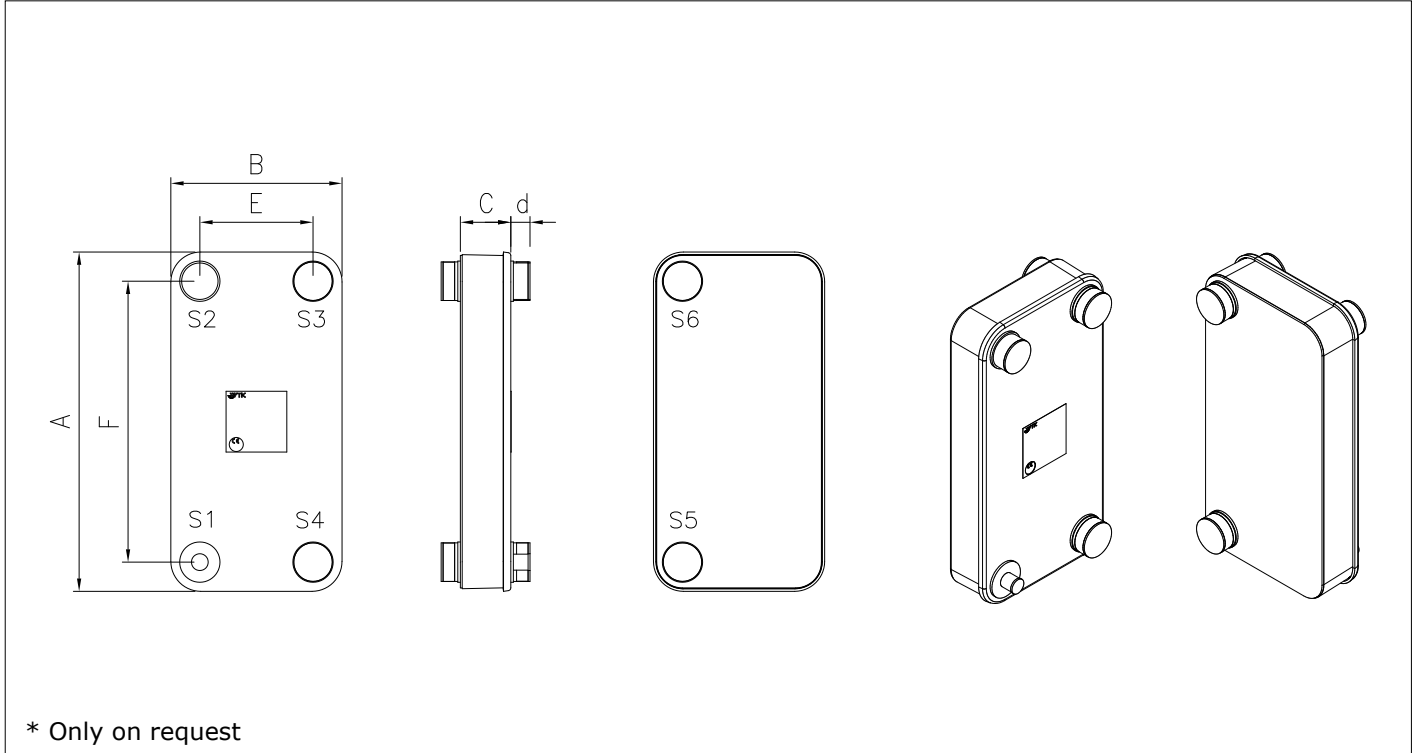
OFFER

Unit net price	Euro	
----------------	------	--

NOTES

--

DATA	15.02.2019
CUSTOMER	
REFERENCE	

DRAWING

DIMENSIONS (mm)
DATA

Dimension	Value	Port	Port Size	Material	Unit	Weight
A	530	S1	ODS 22	Surface	m?	15
B	256	S2	ODS 54	Weight	kg	49
C	247,9	S3	2" G			
E	177	S4	2" G			
F	439	S5*	2" G			
G	--	S6*	2" G			
d	27	S7	--			
		S8	--			

This software is only to be used as an assistance and does not replace the necessary specialist knowledge and experience when designing heat exchangers. We continuously work in order to improve and correct the software. Nevertheless we cannot guarantee its absolute infallibility. Therefore the use of the program is at the user's risk.

DATA	15.02.2019
CUSTOMER	
REFERENCE	

Condenser model		P15-120 S-F	
Number of circuits		1	1
Requested capacity	kW	102,67	
Margin	%	0	
PED category		---	

INPUT DATA		PRIMARY SIDE	SECONDARY SIDE
Refrigerant		R407C	
Condensing Temperature	°C	40 (Dew)	
Condensing Pressure	bar A	15,413	
Subcooling	K	5	
Pressure drop	kPa	1	
Fluid			WATER
Inlet Temperature	°C		30
Outlet Temperature	°C		35
Flow rate	m ³ /h		17,78
Pressure drop	kPa		14,6
Fouling factor	(m ² K)/W		0,000043
Velocity (Inside)	m/s	---	0,15
Exchange coefficient	W/(m ² K)	1049	6074
DTML	°C		7,21

WARNING

No warnings

DIMENSIONS

Surface	m ²	18	
Weight	kg	57	
Channel volume	dm ³	15,9	16,2
Height	mm	530	
Width	mm	256	
Depth	mm	295,9	
Connections		ODS 54/ODS 54	2" G/2" G

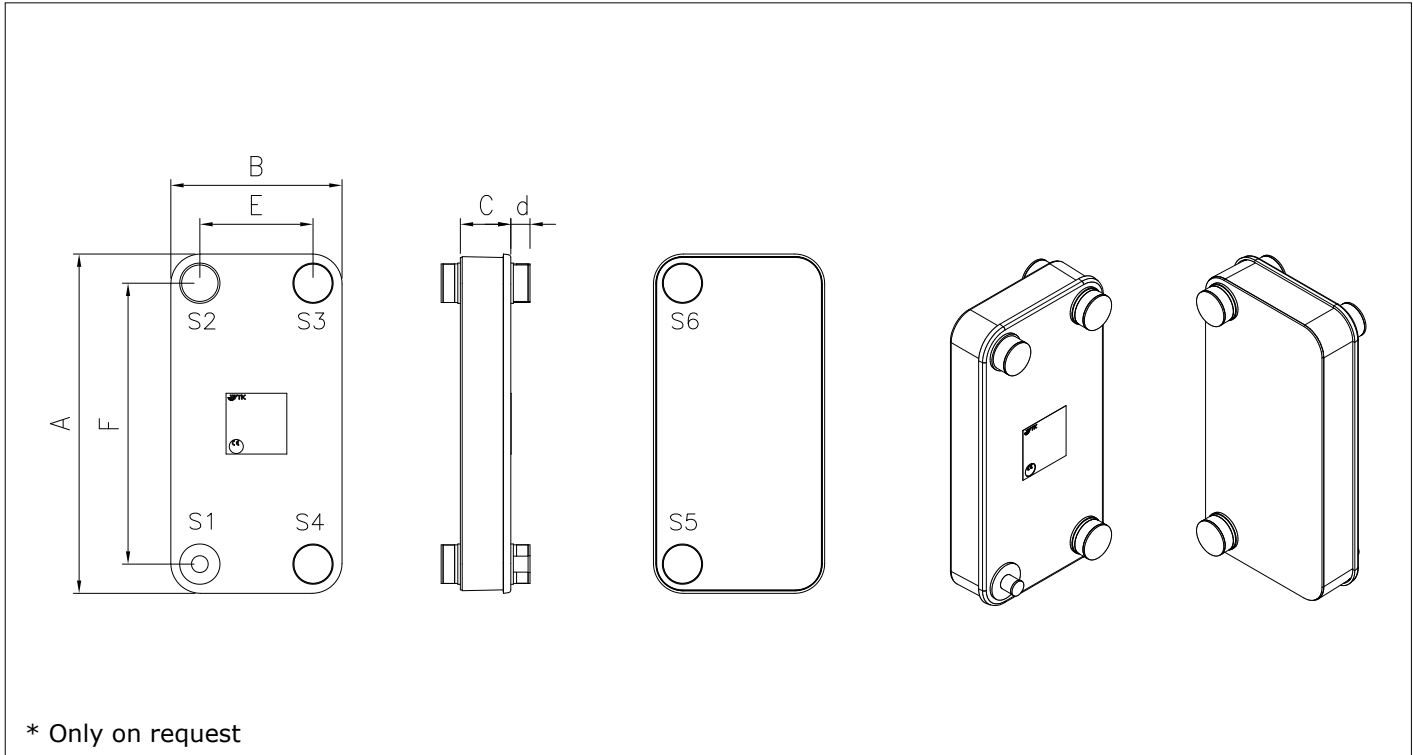
OFFER

Unit net price	Euro	
----------------	------	--

NOTES

--

DATA	15.02.2019
CUSTOMER	
REFERENCE	

DRAWING

DIMENSIONS (mm)
DATA

Dimension	Value	Label	Material	Surface	Weight	Other
A	530	S1	ODS 22	Surface	m?	18
B	256	S2	ODS 54	Weight	kg	57
C	295,9	S3	2" G			
E	177	S4	2" G			
F	439	S5*	2" G			
G	--	S6*	2" G			
d	27	S7	--			
		S8	--			

This software is only to be used as an assistance and does not replace the necessary specialist knowledge and experience when designing heat exchangers. We continuously work in order to improve and correct the software. Nevertheless we cannot guarantee its absolute infallibility. Therefore the use of the program is at the user's risk.

DATA	15.02.2019
CUSTOMER	
REFERENCE	

Condenser model		P15-140 S-F	
Number of circuits		1	1
Requested capacity	kW	119,83	
Margin	%	0	
PED category		---	

INPUT DATA		PRIMARY SIDE	SECONDARY SIDE
Refrigerant		R407C	
Condensing Temperature	°C	40 (Dew)	
Condensing Pressure	bar A	15,413	
Subcooling	K	5	
Pressure drop	kPa	2	
Fluid			WATER
Inlet Temperature	°C		30
Outlet Temperature	°C		35
Flow rate	m ³ /h		20,75
Pressure drop	kPa		16,8
Fouling factor	(m ² K)/W		0,000043
Velocity (Inside)	m/s	---	0,15
Exchange coefficient	W/(m ² K)	1049	6076
DTML	°C		7,21

WARNING

No warnings

DIMENSIONS

Surface	m ²	21	
Weight	kg	66	
Channel volume	dm ³	18,6	18,9
Height	mm	530	
Width	mm	256	
Depth	mm	343,9	
Connections		ODS 54/ODS 54	2" G/2" G

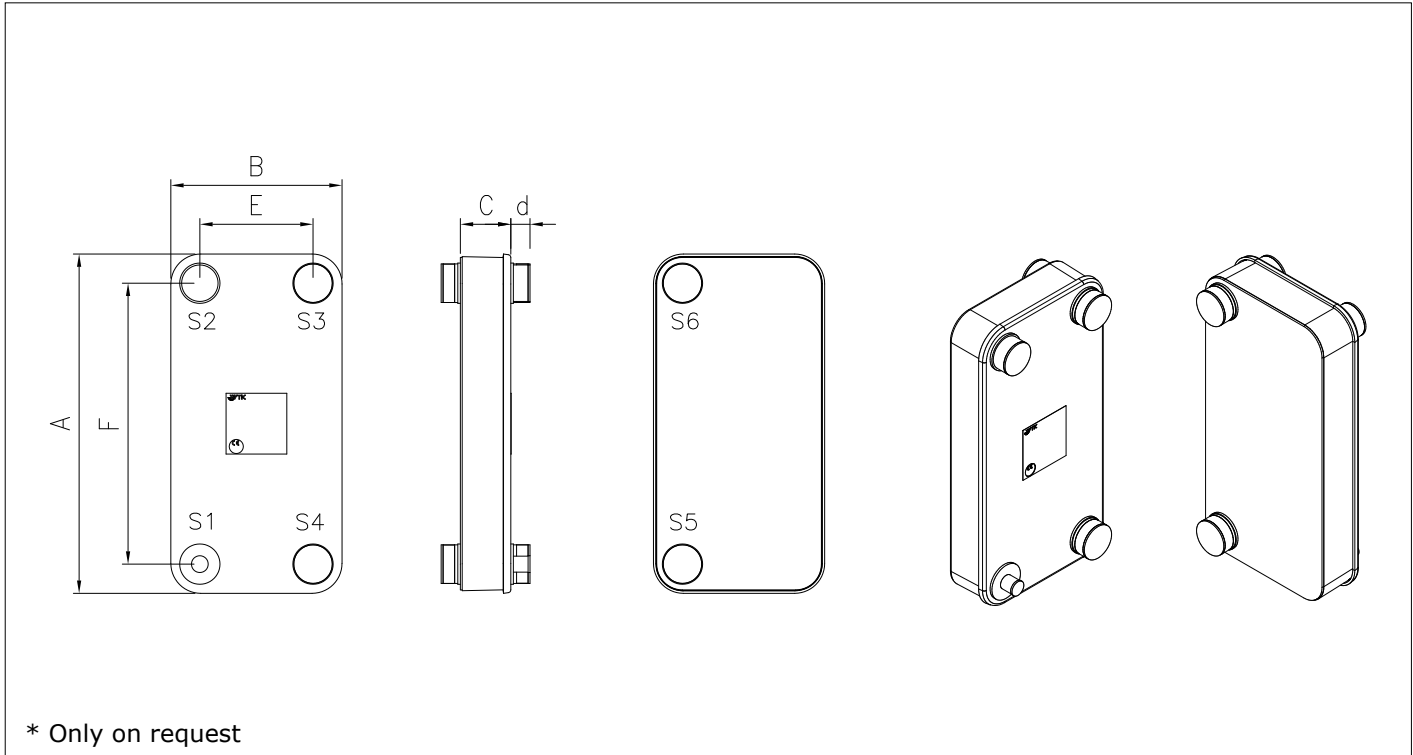
OFFER

Unit net price	Euro	
----------------	------	--

NOTES

--

DATA	15.02.2019
CUSTOMER	
REFERENCE	

DRAWING

DIMENSIONS (mm)
DATA

Dimension	Value	Port	Port Size	Material	Weight	Surface
A	530	S1	ODS 22	Surface	m?	21
B	256	S2	ODS 54	Weight	kg	66
C	343,9	S3	2" G			
E	177	S4	2" G			
F	439	S5*	2" G			
G	--	S6*	2" G			
d	27	S7	--			
		S8	--			

This software is only to be used as an assistance and does not replace the necessary specialist knowledge and experience when designing heat exchangers. We continuously work in order to improve and correct the software. Nevertheless we cannot guarantee its absolute infallibility. Therefore the use of the program is at the user's risk.

DATA	15.02.2019
CUSTOMER	
REFERENCE	

Condenser model		P15-160 S-F	
Number of circuits		1	1
Requested capacity	kW	136,96	
Margin	%	0	
PED category		---	

INPUT DATA		PRIMARY SIDE	SECONDARY SIDE
Refrigerant		R407C	
Condensing Temperature	°C	40 (Dew)	
Condensing Pressure	bar A	15,413	
Subcooling	K	5	
Pressure drop	kPa	2	
Fluid			WATER
Inlet Temperature	°C		30
Outlet Temperature	°C		35
Flow rate	m ³ /h		23,72
Pressure drop	kPa		19,3
Fouling factor	(m ² K)/W		0,000043
Velocity (Inside)	m/s	---	0,15
Exchange coefficient	W/(m ² K)	1050	6076
DTML	°C		7,21

WARNING

No warnings

DIMENSIONS

Surface	m ²	24	
Weight	kg	74	
Channel volume	dm ³	21,3	21,6
Height	mm	530	
Width	mm	256	
Depth	mm	391,9	
Connections		ODS 54/ODS 54	2" G/2" G

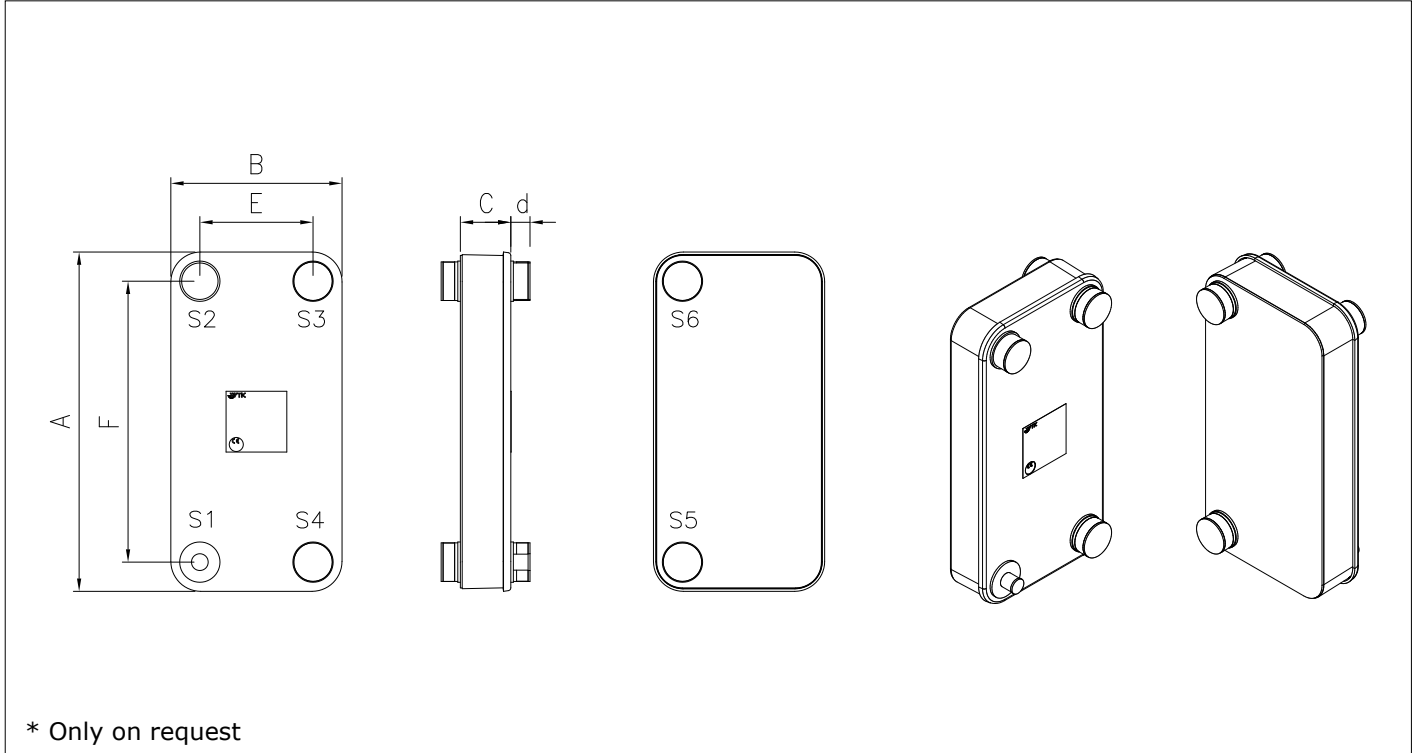
OFFER

Unit net price	Euro	
----------------	------	--

NOTES

--

DATA	15.02.2019
CUSTOMER	
REFERENCE	

DRAWING

DIMENSIONS (mm)
DATA

DIMENSIONS (mm)	DATA
A	530
B	256
C	391,9
E	177
F	439
d	27
S1	ODS 22
S2	ODS 54
S3	2" G
S4	2" G
S5*	2" G
S6*	2" G
S7	--
S8	--
Surface	m?
Weight	kg
	24
	74

This software is only to be used as an assistance and does not replace the necessary specialist knowledge and experience when designing heat exchangers. We continuously work in order to improve and correct the software. Nevertheless we cannot guarantee its absolute infallibility. Therefore the use of the program is at the user's risk.

DATA	15.02.2019
CUSTOMER	
REFERENCE	

Condenser model		P15-180 S-F	
Number of circuits		1	1
Requested capacity	kW	154,10	
Margin	%	0	
PED category		---	

INPUT DATA		PRIMARY SIDE	SECONDARY SIDE
Refrigerant		R407C	
Condensing Temperature	°C	40 (Dew)	
Condensing Pressure	bar A	15,413	
Subcooling	K	5	
Pressure drop	kPa	2	
Fluid			WATER
Inlet Temperature	°C		30
Outlet Temperature	°C		35
Flow rate	m ³ /h		26,68
Pressure drop	kPa		22,1
Fouling factor	(m ² K)/W		0,000043
Velocity (Inside)	m/s	---	0,15
Exchange coefficient	W/(m ² K)	1050	6076
DTML	°C		7,21

WARNING

No warnings

DIMENSIONS

Surface	m ²	27	
Weight	kg	82	
Channel volume	dm ³	24	24,3
Height	mm	530	
Width	mm	256	
Depth	mm	439,9	
Connections		ODS 54/ODS 54	2" G/2" G

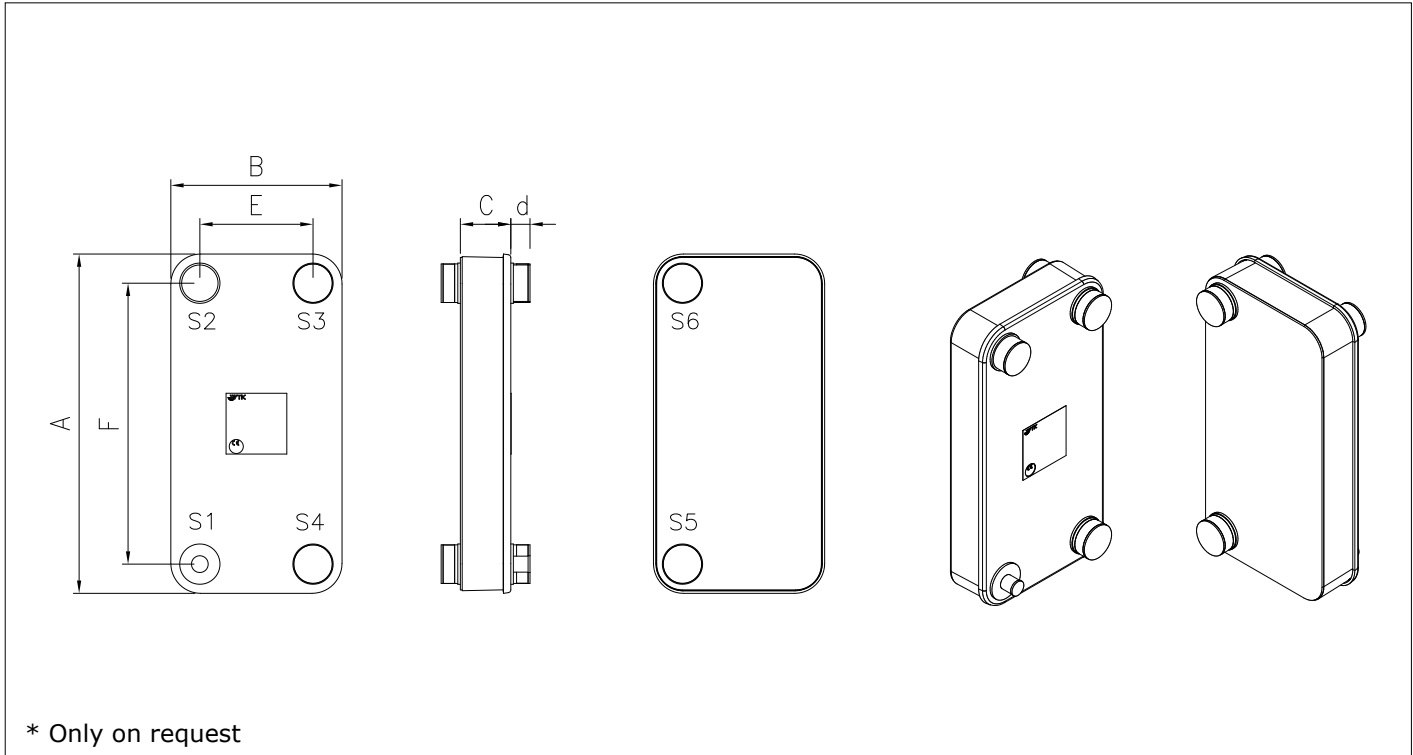
OFFER

Unit net price	Euro	
----------------	------	--

NOTES

--

DATA	15.02.2019
CUSTOMER	
REFERENCE	

DRAWING

DIMENSIONS (mm)
DATA

Dimension	Value	Port	Material	Surface	Weight	Unit	Value
A	530	S1	ODS 22	Surface	m?		27
B	256	S2	ODS 54	Weight	kg		82
C	439,9	S3	2" G				
E	177	S4	2" G				
F	439	S5*	2" G				
G	--	S6*	2" G				
d	27	S7	--				
		S8	--				

This software is only to be used as an assistance and does not replace the necessary specialist knowledge and experience when designing heat exchangers. We continuously work in order to improve and correct the software. Nevertheless we cannot guarantee its absolute infallibility. Therefore the use of the program is at the user's risk.

DATA	15.02.2019
CUSTOMER	
REFERENCE	

Condenser model		P15-200 S-F	
Number of circuits		1	1
Requested capacity	kW	171,27	
Margin	%	0	
PED category		---	

INPUT DATA		PRIMARY SIDE	SECONDARY SIDE
Refrigerant		R407C	
Condensing Temperature	°C	40 (Dew)	
Condensing Pressure	bar A	15,413	
Subcooling	K	5	
Pressure drop	kPa	2	
Fluid			WATER
Inlet Temperature	°C		30
Outlet Temperature	°C		35
Flow rate	m ³ /h		29,66
Pressure drop	kPa		25,3
Fouling factor	(m ² K)/W		0,000043
Velocity (Inside)	m/s	---	0,15
Exchange coefficient	W/(m ² K)	1051	6078
DTML	°C		7,21

WARNING

No warnings

DIMENSIONS

Surface	m ²	30	
Weight	kg	90	
Channel volume	dm ³	26,7	27
Height	mm	530	
Width	mm	256	
Depth	mm	487,9	
Connections		ODS 54/ODS 54	2" G/2" G

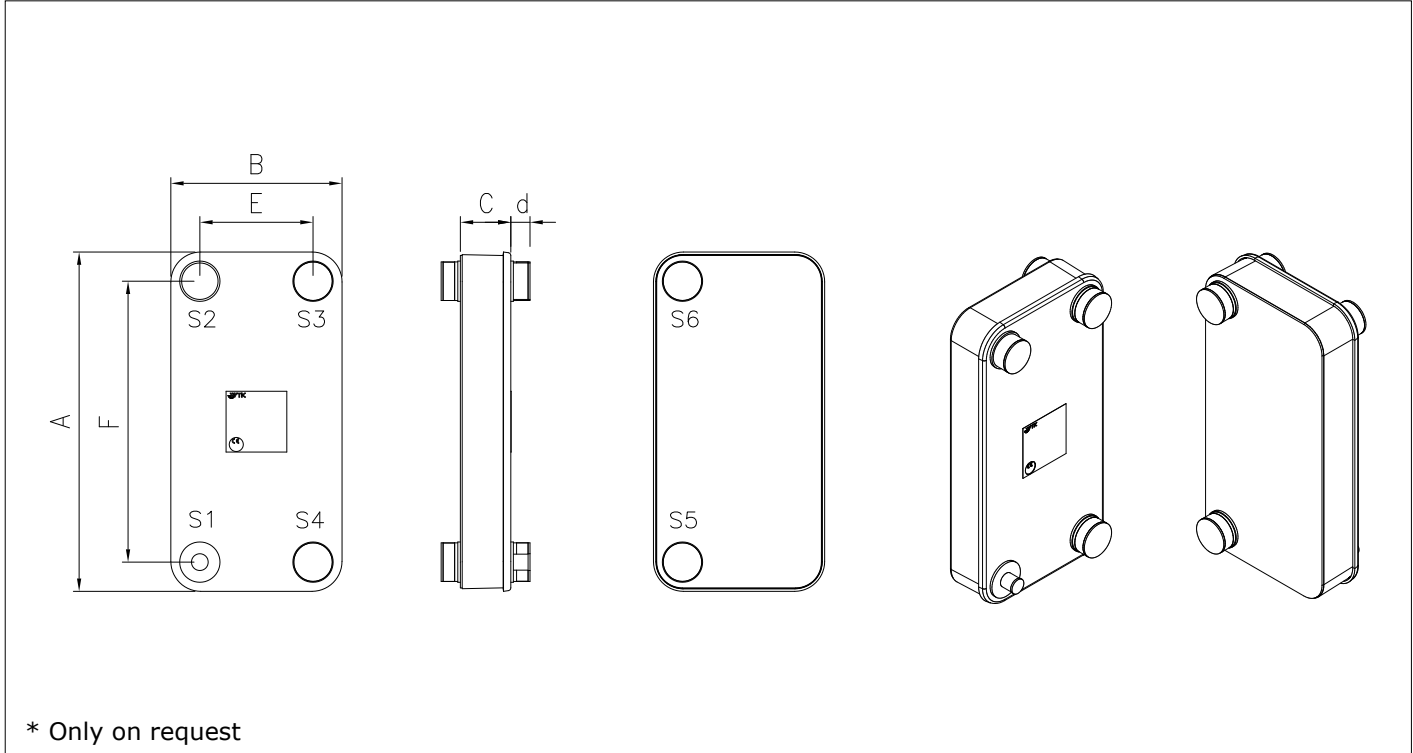
OFFER

Unit net price	Euro	
----------------	------	--

NOTES

--

DATA	15.02.2019
CUSTOMER	
REFERENCE	

DRAWING

DIMENSIONS (mm)
DATA

DIMENSIONS (mm)	DATA
A	530
B	256
C	487,9
E	177
F	439
L	--
d	27
S1	ODS 22
S2	ODS 54
S3	2" G
S4	2" G
S5*	2" G
S6*	2" G
S7	--
S8	--
Surface	m?
Weight	kg
	30
	90

This software is only to be used as an assistance and does not replace the necessary specialist knowledge and experience when designing heat exchangers. We continuously work in order to improve and correct the software. Nevertheless we cannot guarantee its absolute infallibility. Therefore the use of the program is at the user's risk.