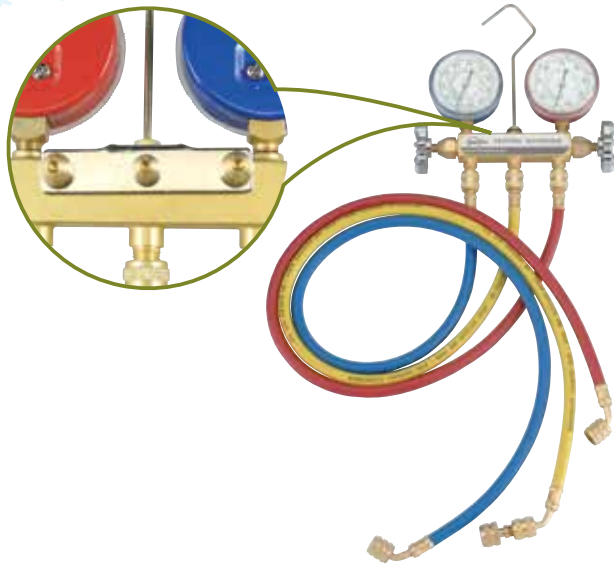


# 錶組 (無視窗針閥式)

## TESTING MANIFOLD GAUGE SETS-PISTON TYPE

R12/22/32/134/404/407/410/HFO-1234YF ALL OPTIONAL



Manifold with 3 pcs hoses, 1/4"SAE connection for R12 & R134A

- ▶▶▶ **BP-136G**  
with 3pcs 36" hoses
- ▶▶▶ **BP-160G**  
with 3pcs 60" hoses
- ▶▶▶ **BP-172G**  
with 3pcs 72" hoses

\*Manifold with R22,R134a. R410 PSI KG/CM<sup>2</sup> gauge

\*With R410 hose w/hose-holder

\*R.B.:1/4" x 5/16"-45' & Y.:1/4" x 1/4" - 45'

\*W/1pc cylinder adapter SCA-04M x 05F (1/4"M.x5/16"F.)

- ▶▶▶ **BP-236G-21405**  
with 3pcs 36" hoses
- ▶▶▶ **BP-260G-21405**  
with 3pcs 60" hoses
- ▶▶▶ **BP-272G-21405**  
with 3pcs 72" hoses

Manifold with 3 pcs hoses, 2pcs adjustable quick couplers. 1/2" ACME connection for R134A.

- ▶▶▶ **CH-436G**  
with 3pcs 36" hoses, QC-L,H
- ▶▶▶ **CH-460G**  
with 3pcs 60" hoses, QC-L,H
- ▶▶▶ **CH-472G**  
with 3pcs 72" hoses, QC-L,H

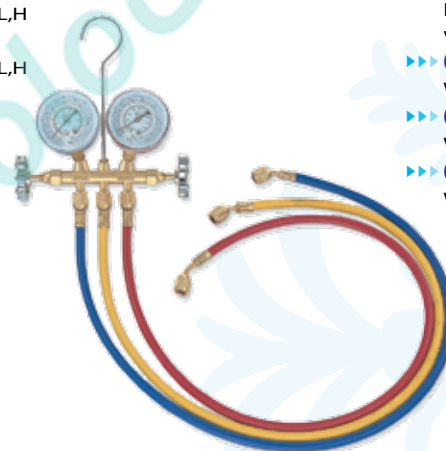
- ▶▶▶ **CT-601**  
Testing manifold body with hook, hose holder and two handwheels.

- ▶▶▶ **CT-601G**  
Testing manifold body with hook, hose holder and two handwheels.  
w/RG-250/500 gauge.

- ▶▶▶ **CT-636G**  
With 3 pcs 36" charging hoses.

- ▶▶▶ **CT-660G**  
With 3pcs 60" charging hoses.

- ▶▶▶ **CT-672G**  
With 3pcs 72" charging hoses.



- ▶▶▶ **CH-R01**  
Manifold body 1/4" SAE w/hook, only
- ▶▶▶ **CH-R01G**  
Manifold w/gauge, R12, 22, 134A, °C, PSI, KPA.
- ▶▶▶ **CH-R36G**  
Manifold set, 3 x 36" hose
- ▶▶▶ **CH-R60G**  
Manifold set, 3 x 60" hose
- ▶▶▶ **CH-R72G**  
Manifold set, 3 x 72" hose

\* Brass manifold w/o sight glass, hose with ball valve.

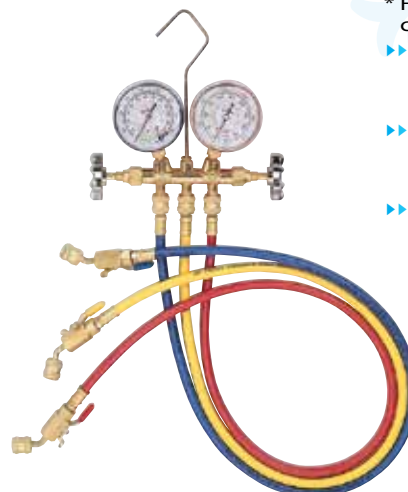
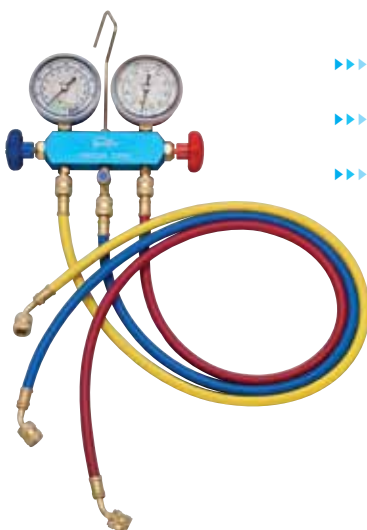
\* Gauge can be for R12 or R134 or R410A.

\* For R410A connection thread can be 1/4" SAE or 5/16" SAE.

- ▶▶▶ **CH-636G-L**  
with 3 x 36" ball valve hose. R12. 1/4" SAE.

- ▶▶▶ **CH-660G-L**  
with 3 x 60" ball valve hose. R12. 1/4" SAE.

- ▶▶▶ **CH-672G-L**  
with 3 x 72" ball valve hose. R12. 1/4" SAE.



# 鐵弗龍墊片式錶組

## TEFLON DIAPHRAGM TYPE MANIFOLD

R12/22/32/134/404/407/410/HFO-1234YF ALL OPTIONAL



### 四通型錶組

可選擇有視窗型式

#### ▶▶ CH-KO1G

- \* Aluminum 4 way manifold with 3 x 1/4" SAE & 1 x 3/8" SAE connector.
- \* Length of hose can be chosen.
- \* RG-250A & RG-500A R12,22,134A, Psi, bar, °C manifold aluminum blue body

\*\* Connection thread can be 5/16" SAE \*\*  
\*\* With sight glass is optional. \*\*

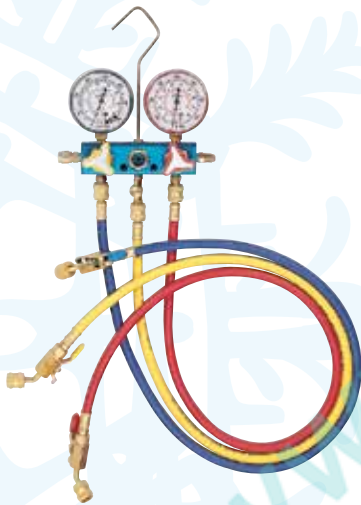


### 五通型錶組

#### TEFLON DIAPHRAGM TYPE (5 ways)

#### ▶▶ CH-KV01G-S410

- \* Aluminum 5 way manifold with 3 x 1/4" SAE & 1 x 1/4" SAE with CH-9520C and CT-640-04 & 1 x 3/8" SAE connector.
- \* C.F.PSI.Bar, with sight glass RG-410-500 / RG-410-800+RG-80VP (gauge are optional)



- \* Manifold with sight glass with R410A gauges, the connection thread can be 1/4" SAE or 5/16" SAE hose with shut-off ball valve.
- \* For R134 manifold w/QC Holder 1/4" SAE w/QC-LM/HM or 1/2" ACME, w/QC-L.H.

#### ▶▶ CH-P36G

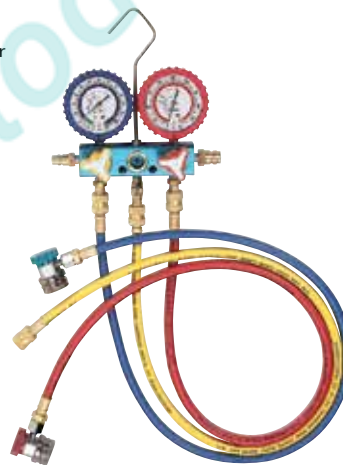
with 3 x 36" ball valve hose. R410. Hose 1/4" SAE.

#### ▶▶ CH-P60G

with 3 x 60" ball valve hose. R410. Hose 1/4" SAE.

#### ▶▶ CH-P72G

with 3 x 72" ball valve hose. R410. Hose 1/4" SAE.



- \* Manifold with R134 gauges, the connection thread can be 1/4" SAE or 1/2" ACME.
- \* 1/4" SAE with QC-LM & HM or QC-12 quick couplers.
- \* 1/2" ACME with QC-L & QC-H quick coupler.

#### ▶▶ CH-L36G

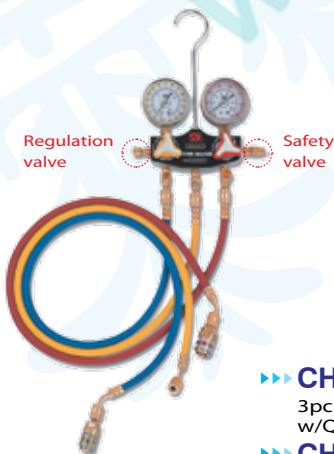
with 3 x 36" hose. R134. 1/2" ACME . QC-L. H.

#### ▶▶ CH-L60G

with 3 x 60" hose. R134. 1/2" ACME . QC-L. H.

#### ▶▶ CH-L72G

with 3 x 72" hose. R134. 1/2" ACME. QC-L. H.



無視窗

#### ▶▶ CH-936G

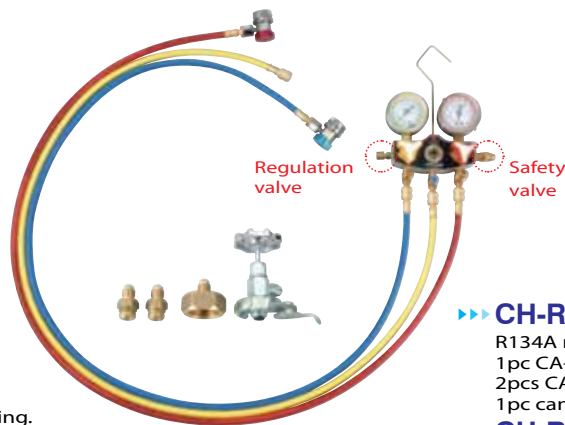
3pcs 36" charging hoses, w/QC-12 changeable fitting.

#### ▶▶ CH-960G

3pcs 60" charging hoses, w/QC-12 changeable fitting.

#### ▶▶ CH-972G

3pcs 72" charging hoses, w/QC-12 changeable fitting.



有視窗

#### ▶▶ CH-R9134L

R134A manifold with sight glass. 1pc CA-04 x 12 adapter, 2pcs CA-04\*08 adapters, 1pc can tap valve CH-340.

#### ▶▶ CH-R9134L-36

With 3pcs 36" hoses, w/QC-L,H

#### ▶▶ CH-R9134L-60

With 3pcs 60" hoses, w/QC-L,H

#### ▶▶ CH-R9134L-72

With 3pcs 72" hoses, w/QC-L,H

# 單錶錶組

## SINGLE MANIFOLD ASSEMBLED

MANIFOLD BODY MADE OF ALUMINUM, BLUE OR BLACK COLOR CAN BE CHOSEN.  
R12/22/134/404/407/410 ALL OPTIONAL



▶▶▶ **CH-467BV-250**  
Ball valve type w/low pressure gauge RG-250A.



▶▶▶ **CH-467BV-500**  
Ball valve type w/high pressure gauge RG-500A.



▶▶▶ **CH-468BV-250**  
Ball valve type w/CH-800-04PT sight glass & low pressure gauge RG-250A.



▶▶▶ **CH-468BV-500**  
Ball valve type w/CH-800-04PT sight glass & high pressure gauge RG-500A.



▶▶▶ **CH-469-250**  
Piston type W/low pressure gauge RG-250A.



▶▶▶ **CH-469-500**  
Piston type w/high pressure gauge RG-500A.



▶▶▶ **CH-471**  
Piston type manifold body 1/4"SAE w/hook



▶▶▶ **CH-471CV**  
Piston type manifold body w/hook & charging valve

▶▶▶ **CH-471LG**  
Manifold w/R12,22,134A gauge low side RG-250N.

▶▶▶ **CH-471CVLG**  
Manifold w/R12,22,134A gauge low side RG-250N.

▶▶▶ **CH-471LG-36"**  
W/2 x 36" hose

▶▶▶ **CH-471CVLG-36"**  
W/2 x 36" hose

▶▶▶ **CH-471LG-60"**  
W/2 x 60" hose

▶▶▶ **CH-471CVLG-60"**  
W/2 x 60" hose

▶▶▶ **CH-471LG-72"**  
W/2 x 72" hose

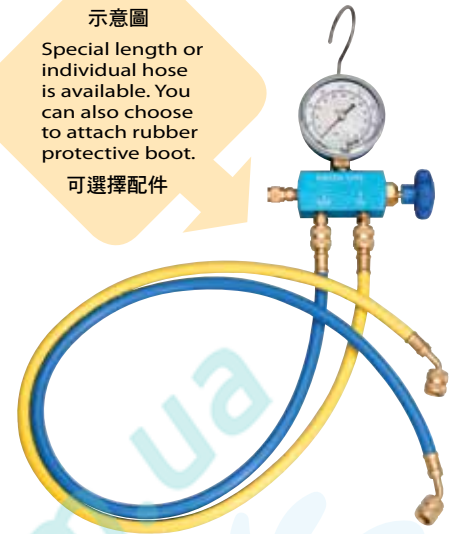
▶▶▶ **CH-471CVLG-72"**  
W/2 x 72" hose

\*\* Can be high pressure gauge, special length or individual hose is available \*\*

示意圖

Special length or individual hose is available. You can also choose to attach rubber protective boot.

可選擇配件



▶▶▶ **CH-470-250**  
Piston type w/CH-800-04PT sight glass & low pressure gauge RG-250A.



▶▶▶ **CH-470-500**  
Piston type w/CH-800-04PT sight glass & high pressure gauge RG-500A.

**NEW**



▶▶▶ **CH-471SCV**  
Piston type manifold body w/sight glass & hook & charging valve

▶▶▶ **CH-471SCVLG**  
Piston type manifold body with low pressure gauge RG-250A R12.22.134A, bar & psi

▶▶▶ **CH-471SCVLG-36"**  
W/2 x 36" hose

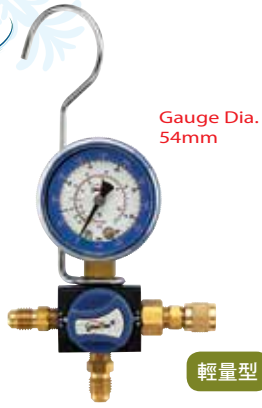
▶▶▶ **CH-471SCVLG-60"**  
W/2 x 60" hose

▶▶▶ **CH-471SCVLG-72"**  
W/2 x 72" hose

## 單錶錶組

### SINGLE MANIFOLD ASSEMBLED

NEW



#### 輕量型單錶架

##### LIGHT BALL VALVE TYPE MANIFOLD

###### ▶▶▶ CH-472BV

Ball valve type manifold body 1/4" SAE w/hook & charging valve, black body. Manifold body size: 38(L)x30.5(W)x23(H)mm.

###### ▶▶▶ CH-472BV-34L

W/gauge RG-410-500-34MI, PSI, BAR, °C. Black body and blue knob.

###### ▶▶▶ CH-472BV-34H

W/gauge RG-410-800-34MI, PSI, BAR, °C. Black body and red knob.



###### ▶▶▶ CH-466

Single manifold without gauge.

###### ▶▶▶ CH-466G

Single manifold with RG-250 or RG-500 gauge.

## 錶架用零件

### PARTS FOR MANIFOLD



###### ▶▶▶ 136GATO

Hex nut & T-connector for CH-136G series

###### ▶▶▶ 136GATO-R

W/OP136HR red knob

###### ▶▶▶ 136GATO-B

W/OP136HB blue knob



###### ▶▶▶ 136GAT

Hex nut & T-connector for 136GATO for CH-136G series



###### ▶▶▶ 0GBBVH

Hex brass nut for ball valve type manifold



###### ▶▶▶ 136G-O

Brass nut w/O-ring for 136GATO for CH-136G.CH-R01.CH-RS01.CH-471.CH-471S series



###### ▶▶▶ 0GBBV-T

T-connector for ball valve type manifold



###### ▶▶▶ 0GB466-0

Brass nut w/o-ring for CH-466



###### ▶▶▶ 501G-O

Brass nut w/o-ring for CT-501.601 series



###### ▶▶▶ 0Z501

Zinc knob for CT-501.601.BP-01 series



###### ▶▶▶ SGSET

Glass & o-ring & teflon washer for sight glass of all manifolds (except for CH-R01 & CH-RS01)



###### ▶▶▶ 0WGB134

Brass washer for sight glass of all manifolds (except for CH-R01 & CH-RS01)



###### ▶▶▶ 0P136HR

Plastic red knob for CH-136G series



###### ▶▶▶ 0P136HB

Plastic blue knob for CH-136G series



###### ▶▶▶ 0PR136HR

Red rubber knob for piston type manifold



###### ▶▶▶ 0PR136HB

Blue rubber knob for piston type manifold



###### ▶▶▶ 0PBVHR

Red knob for ball valve type manifold



###### ▶▶▶ 0PBVHB

Blue knob for ball valve type manifold



###### ▶▶▶ 0PRBVHR

Red rubber knob for ball valve type manifold



###### ▶▶▶ 0PRBVHB

Blue rubber knob for ball valve type manifold

## 錶護套

### PROTECTIVE GAUGE BOOT



###### ▶▶▶ NO.ORG-B-L

Blue protective gauge boot for 80mm gauge

###### ▶▶▶ NO.ORG-R-L

Red protective gauge boot for 80mm gauge



###### ▶▶▶ NO.ORG-B-S

Blue protective gauge boot for 2-3/4" gauge dia.

###### ▶▶▶ NO.ORG-R-S

Red protective gauge boot for 2-3/4" gauge dia.

## 電子錶

### DIGITAL GAUGE - 1/8" NPT



Item Code	Gauge Diameter	Units	Refrigerant Scales
DG-700L DG-700H	68mm	PSI, Bar, kg/cm <sup>2</sup> , °C & °F , KPA, MPA	R12.22.32.134. 404.407.410.507. HFO-1234YF

## 真空幫浦專用錶

### VACUUM METER GAUGE



Item Code	Gauge Diameter	Units
RG-80VP	80mm	1000~0 MBAR PA=X100

Item Code	Gauge Diameter
RG-80VB	3"

## 埋入式冷媒錶

### REFRIGERANT GAUGE - 1/4" SAE



Item Code	Gauge Diameter	Units	Refrigerant Scales
FRG-250 KP FRG-500 KP	2-1/2"	PSI, kg/cm <sup>2</sup> , °C	R22.134

## 埋入式含油冷媒錶

### REFRIGERANT GAUGE - 1/4" SAE



Item Code	Gauge Diameter	Units	Refrigerant Scales
CH-134GL-2447L CH-134GL-2447H	2-1/2"	PSI, kg/cm <sup>2</sup> , °C	R22.134. 404.407
CH-134GL-2474L CH-134GL-2474H	2-1/2"	PSI, kg/cm <sup>2</sup> , °C	R22.134. 407.410

## 直立式含油冷媒錶

### REFRIGERANT GAUGE - 1/8" NPT



Item Code	Gauge Diameter	Units	Refrigerant Scales
RG-250GL-2447 RG-500GL-2447	2-1/2"	PSI, kg/cm <sup>2</sup> , °C	R22.134. 404.407
RG-250GL-2474 RG-500GL-2474	2-1/2"	PSI, kg/cm <sup>2</sup> , °C	R22.134. 407.410

## 玻璃錶面蓋冷媒錶

### REFRIGERANT GAUGE - 1/8" NPT



Item Code	Gauge Diameter	Units	Refrigerant Scales
R-134G-250 R-134G-500	2-1/2"	PSI, kg/cm <sup>2</sup> , °C	R12.134

# 嵌入式塑膠蓋冷媒錶

## REFRIGERANT GAUGE - 1/8" NPT



Item Code	Gauge Diameter	Units	Refrigerant Scales
<b>CH-134L-34</b> <b>CH-134H-34</b>	2-3/4"	PSI, kg/cm <sup>2</sup> , °C	R32.410

Item Code	Gauge Diameter	Units	Refrigerant Scales
<b>CH-134L-1234</b> <b>CH-134H-1234</b>	2-1/2"	PSI, Bar, °C	HFO-1234-YF



Item Code	Gauge Diameter	Units	Refrigerant Scales
<b>CH-134L-2447</b> <b>CH-134H-2447</b>	2-3/4"	PSI, kg/cm <sup>2</sup> , °C	R22.134. 404.407
<b>CH-134L-2474</b> <b>CH-134H-2474</b>	2-3/4"	PSI, kg/cm <sup>2</sup> , °C	R22.134. 407.410
<b>CH-134L-R22.407</b> <b>CH-134H-R22.407</b>	2-3/4"	PSI, Bar, °C	R22.407

Item Code	Gauge Diameter	Units	Refrigerant Scales
<b>CH-134L-R12</b> <b>CH-134H-R12</b>	2-3/4"	PSI, Bar, °C	R12.22.502
<b>CH-134L-R134</b> <b>CH-134H-R134</b>	2-3/4"	PSI, Bar, °C	R134.404
<b>CH-134L-R407</b> <b>CH-134H-R407</b>	2-3/4"	PSI, Bar, °C	R134.404. 407



Item Code	Gauge Diameter	Units	Refrigerant Scales
<b>CH-134L-80MM</b> <b>CH-134H-80MM</b>	80mm	PSI, Bar, °C KPA x100	R22.134. 404.407
<b>CH-134L-80MM-410</b> <b>CH-134H-80MM-410</b>	80mm	PSI, Bar, °C KPA x100	R134.404. 407.410
<b>CH-134L-80MM-1</b> <b>CH-134H-80MM-1</b>	80mm	PSI, Bar, °C & °F KPA x100	R410
<b>CH-134L-80MM-2474</b> <b>CH-134H-80MM-2474</b>	80mm	PSI, Bar, °C	R22.134. 407.410

### 迷你旋轉式塑膠蓋冷媒錶 REFRIGERANT GAUGE 1/8" NPT- MINI TYPE

Item Code	Gauge Diameter	Units	Refrigerant Scales
<b>RG-410-500-34MI</b> <b>RG-410-800-34MI</b>	54mm	PSI, Bar, °C	R32.410

# 旋轉式塑膠蓋冷媒錶

## REFRIGERANT GAUGE - 1/8" NPT



Item Code	Gauge Diameter	Units	Refrigerant Scales
<b>RG-40-600</b> <b>RG-140-600</b>	2-3/4"	PSI, Bar, °C KPA x100	R600A

Item Code	Gauge Diameter	Units	Refrigerant Scales
<b>RG-250-R404</b> <b>RG-500-R404</b>	2-3/4"	PSI, Bar, °C KPA x100	R22.134. 404
<b>RG-250-R407A</b> <b>RG-500-R407A</b>	2-3/4"	PSI, Bar, °C	R134.404. 407



Item Code	Gauge Diameter	Units	Refrigerant Scales
<b>RG-250N</b> <b>RG-500N</b>	2-3/4"	PSI, kg/cm <sup>2</sup> , °C	R12.22.134
<b>RG-250N4</b> <b>RG-500N4</b>	2-3/4"	kg/cm <sup>2</sup> , Bar, °C	R12.22. 134.404
<b>RG-250M</b> <b>RG-500M</b>	2-3/4"	MPA, °C	R12.134

Item Code	Gauge Diameter	Units	Refrigerant Scales
<b>RG-410-500</b> <b>RG-410-800</b>	2-3/4"	PSI, Bar, °C & °F	R410
<b>RG-410-500-214</b> <b>RG-410-800-214</b>	2-3/4"	PSI, kg/cm <sup>2</sup> , °C	R22.134. 410
<b>RG-410-500M</b> <b>RG-410-800M</b>	2-3/4"	MPA, °C	R404.407. 410
<b>RG-410-500-2144</b> <b>RG-410-800-2144</b>	2-3/4"	PSI, Bar, °C	R22.134. 404.410



Item Code	Gauge Diameter	Units	Refrigerant Scales
<b>RG-250A</b> <b>RG-500A</b>	2-3/4"	PSI, Bar, °C	R12.22.134

Item Code	Gauge Diameter	Units	Refrigerant Scales
<b>RG-250B</b> <b>RG-500B</b>	2-3/4"	PSI, Bar, °C	R12.22.134

# 冷凍庫門安全雙把手

## DOUBLE SAFETY LATCHES & INSIDE RELEASE HANDLES

### 鋅合金凸門安全雙把手 DOUBLE CAM-LIFT SAFETY LATCH

▶▶▶ CH-1178-L2

Material : high pressure die-cast zinc

### 不銹鋼凸門安全雙把手 DOUBLE CAM-LIFT SAFETY LATCH

▶▶▶ CH-1178-LS2

Material : precision stainless steel

### 鋅合金雙凸門手拉式安全把手 CAM-LIFT RING SAFETY LATCH

▶▶▶ CH-1178-L3

Material : high pressure die-cast zinc

### 不銹鋼雙凸門手拉式安全把手 CAM-LIFT RING SAFETY LATCH

▶▶▶ CH-1178-LS3

Material : precision stainless steel

### 鋅合金平門安全雙把手 DOUBLE PLANE SAFETY LATCH

▶▶▶ CH-1178-P2

Material : high pressure die-cast zinc

### 不銹鋼平門安全雙把手 DOUBLE PLANE SAFETY LATCH

▶▶▶ CH-1178-PS2

Material : precision stainless steel

### 鋅合金雙平門手拉式安全把手 PLANE RING SAFETY LATCH

▶▶▶ CH-1178-P3

Material : high pressure die-cast zinc

### 不銹鋼雙平門手拉式安全把手 PLANE RING SAFETY LATCH

▶▶▶ CH-1178-PS3

Material : precision stainless steel



CH-1178-PS3



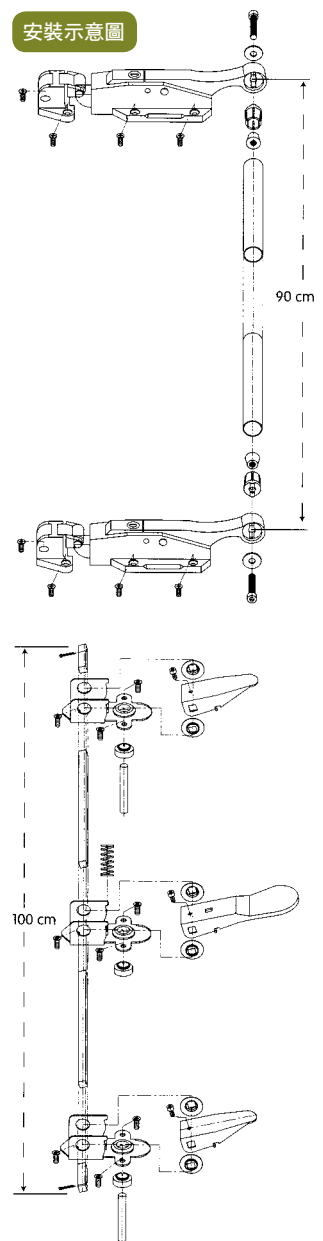
示意圖為不銹鋼平門雙把手



示意圖為不銹鋼平門拉把手

CH-1178-PS2

安裝示意圖

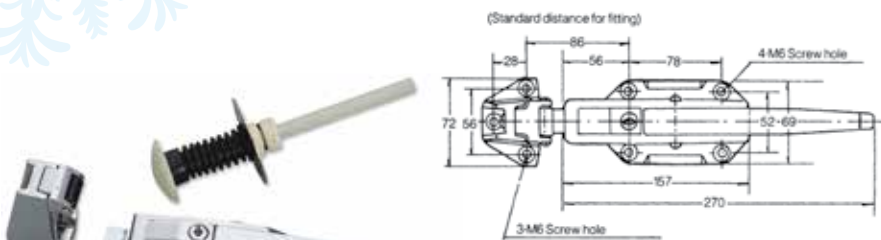




# 冷凍庫把手

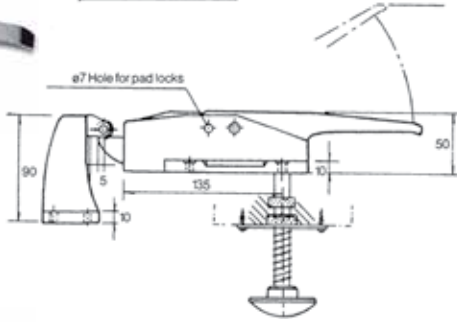
## LATCH HIGH QUALITY GALVANIZED

STAINLESS STEEL MATERIAL IS OPTIONAL.



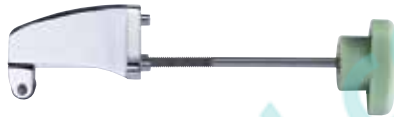
### ▶▶▶ CH-1178

Material : high pressure die-cast zinc.  
 Finish : highly polished chrome plated.  
 Packing : 1 body and strike per box, then 12 boxes per carton.  
 Offset : adjustable height from 45.0mm to 70.0mm.  
 Action : door of big or medium refrigerator.  
 Set include CH-1100 inside release handle.



### ▶▶▶ CH-1178-ST

Material : 304 stainless steel hinge & steel screw.



### ▶▶▶ CH-1178N

Safety handle

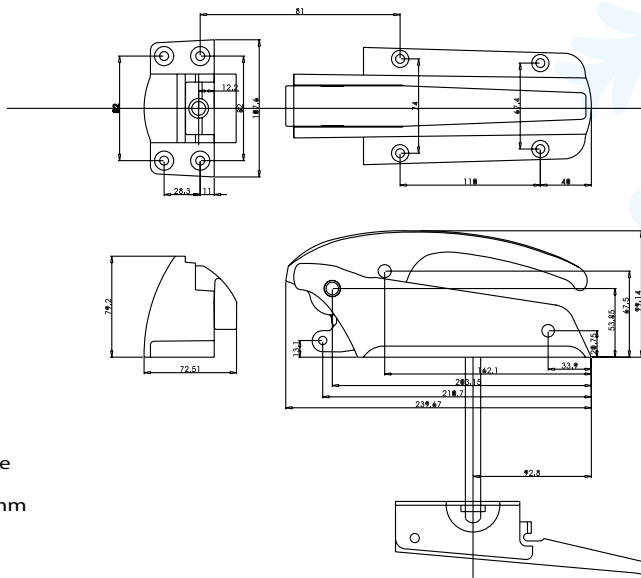
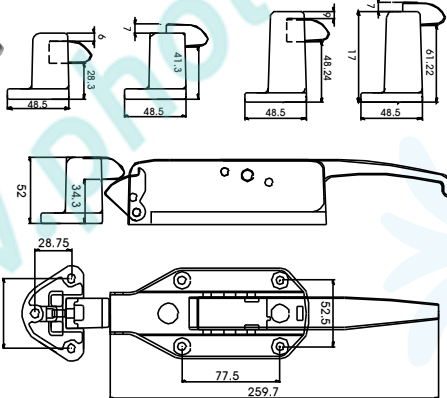
雙安全把手

### ▶▶▶ CH-1179A

### ▶▶▶ CH-1179B

### ▶▶▶ CH-1179

Material : high pressure die-cast zinc.  
 Finish : highly polished chrome plated.  
 Packing : 1 body and strike per box, then 12 boxes per carton.  
 Offset : adjustable height  
 A from 28mm to 41mm.  
 B from 48mm to 61mm.  
 Action : door of big or medium refrigerator.  
 Set include CH-1100 inside release handle.



### ▶▶▶ CH-5612

Complete with internal release handle  
 high pressure die-cast zinc chrome  
 plated finish adjustable offset 16-32mm  
 suitable for large coolroom doors.

# 冷凍庫把手 & 鉸鏈

## HINGE & LATCH HIGH QUALITY GALVANIZED

STAINLESS STEEL MATERIAL IS OPTIONAL.

### ▶▶ CH-1200B

Material : high pressure die-cast zinc.  
 Finish : highly polished chrome plated.  
 Packing : 1 body and strike per box, then 30 boxes per carton.  
 Offset : standard strike adjustable from 18.0mm to 22.0mm.  
 Action : door of big or medium refrigerator.

### ▶▶ CH-1300

Material : high pressure die-cast zinc.  
 Finish : highly polished chrome plated.  
 Packing : 50 pcs per carton.  
 Offset : adjustable height from 18.0mm to 32.0mm.  
 Action : door of small refrigerator.

### ▶▶ CH-1400P (Plastic wheel)

### ▶▶ CH-1400B (Brass wheel)

Material : high pressure die-cast zinc.  
 Finish : highly polished chrome plated.  
 Packing : 50 pcs per carton.  
 Offset : adjustable height from 18.0mm to 32.0mm.  
 Action : door of small refrigerator.

### ▶▶ CH-1500

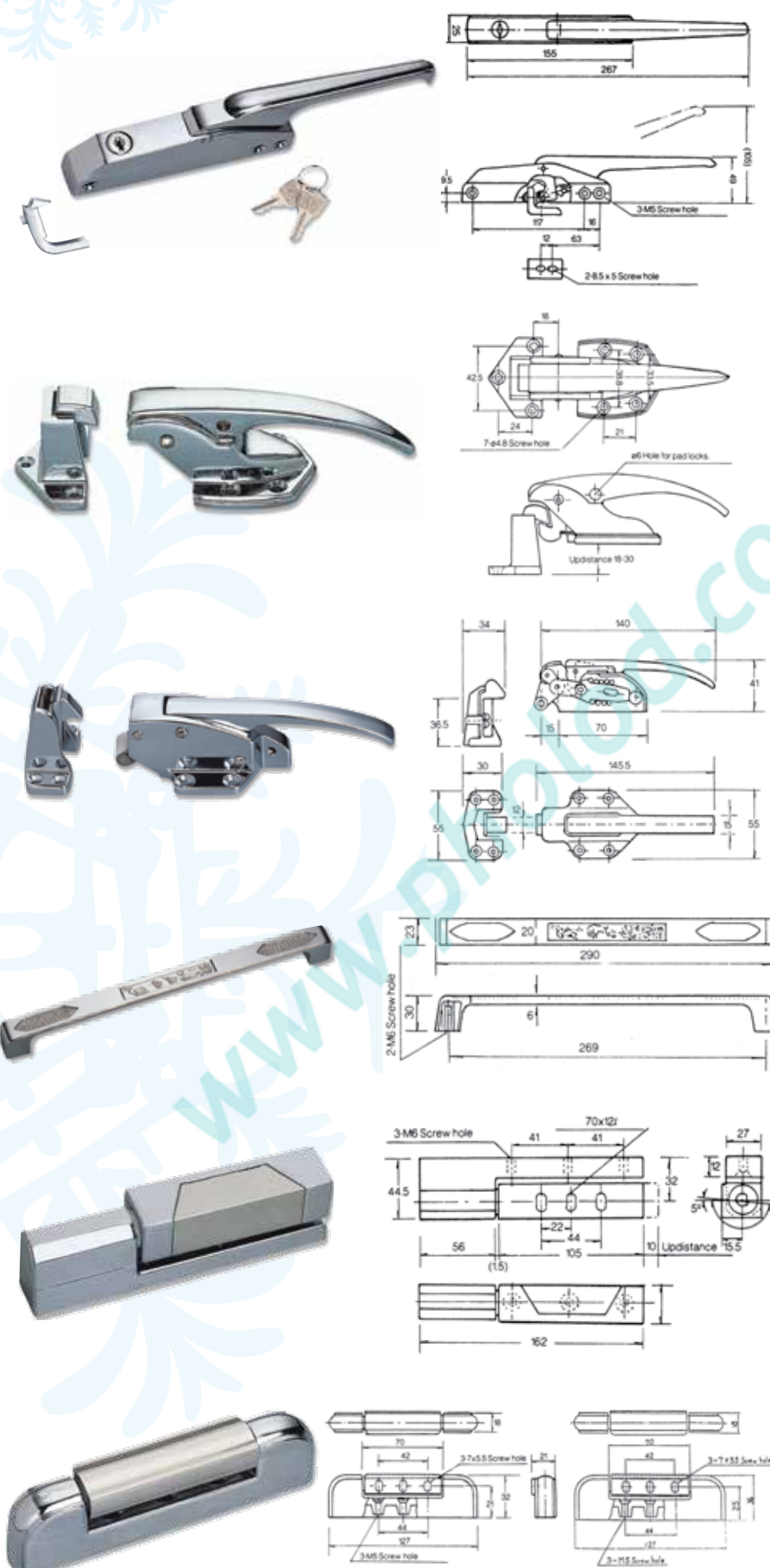
Material : high pressure die-cast zinc.  
 Finish : highly polished chrome plated.  
 Packing : 100 pcs carton.  
 Speciality : tapped for 6.0mm screw.  
 Action : home or commercial refrigerator handle.

### ▶▶ CH-1132

Material : high pressure die-cast zinc.  
 Finish : highly polished chrome plated.  
 Packing : 50 pcs (25 pairs) per carton.  
 Speciality : self-closing, cam-lift hing of left or right doors, automatic close within 95° angle or stay open beyond 120° angle.  
 Action : light door of big or medium refrigerator.

### ▶▶ CH-1332 / CH-1336

Material : high pressure die-cast zinc.  
 Finish : highly polished chrome plated.  
 Packing : 100 pcs (50 pairs) per carton.  
 Speciality : install for left or right door.  
 Action : various doors.



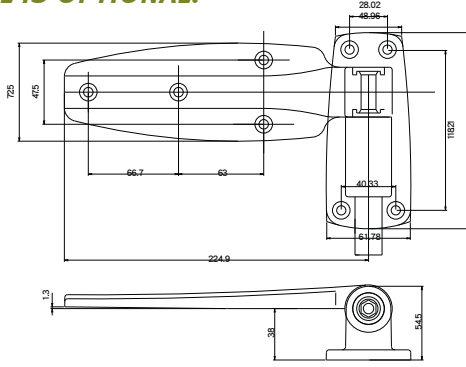
■1332

■1336

# 鉸鏈

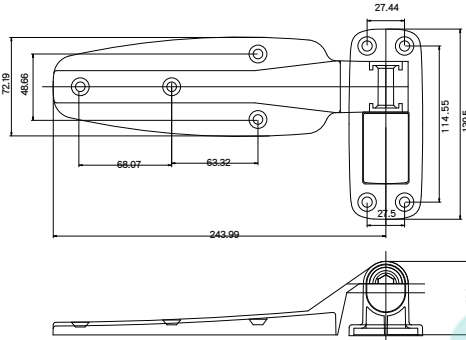
## HINGE HIGH QUALITY GALVANIZED

STAINLESS STEEL MATERIAL IS OPTIONAL.



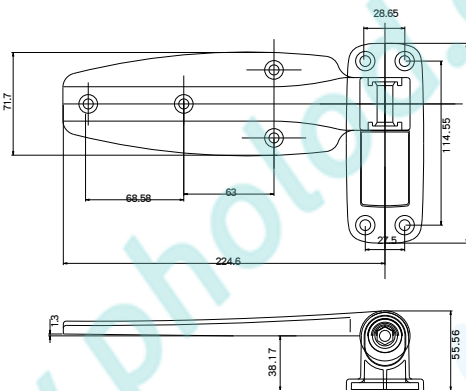
### CH-1238S

**Material :** high pressure die-cast zinc.  
**Finish :** highly polished chrome plated.  
**Packing :** 20 pcs (10 pairs) per carton.  
**Offset :** spring-assisted, self-closing high, can be used for left or right handle door. Automatic close within 120° angle or stay open beyond 120° angle 38mm height.  
**Action :** door of medium or small refrigerator.



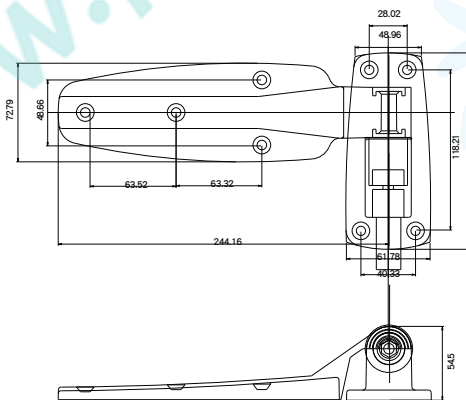
### CH-1230N

**Material :** high pressure die-cast zinc.  
**Finish :** highly polished chrome plated.  
**Packing :** 20 pcs (10 pairs) per carton.  
**Offset :** nylon-assisted, others are same as CH-1230S.  
**Action :** door of medium or small refrigerator.



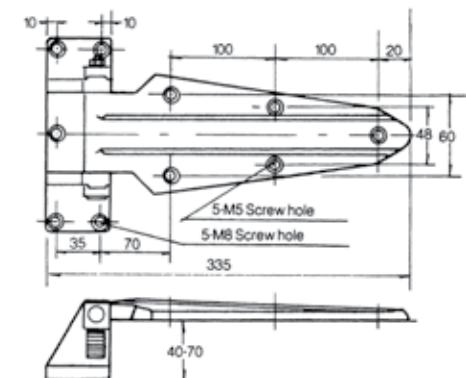
### CH-1238N

**Material :** high pressure die-cast zinc.  
**Finish :** highly polished chrome plated.  
**Packing :** 20 pcs (10 pairs) per carton.  
**Offset :** nylon-assisted, others are same as CH-1238S.  
**Action :** door of medium or small refrigerator.



### CH-1230S

**Material :** high pressure die-cast zinc.  
**Finish :** highly polished chrome plated.  
**Packing :** 20 pcs (10 pairs) per carton.  
**Offset :** spring-assisted, used for door is parallel with frame self-closing high can be used for left or right handle door automatic close within 120° angle or stay open beyond 120°  
**Action :** door of medium or small refrigerator.



### CH-1470

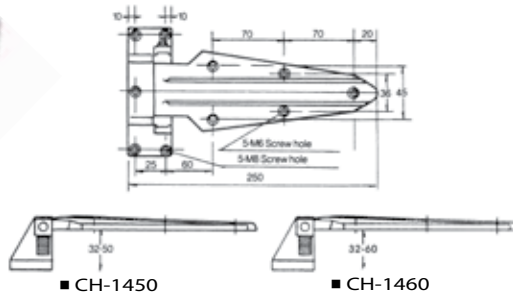
**Material :** high pressure die-cast zinc.  
**Finish :** highly polished chrome plated.  
**Packing :** 10 pairs per carton.  
**Offset :** adjustable height from 40mm to 70mm.  
**Action :** door of big refrigerator.  
**Speciality :** same as CH-1450.

### CH-1470-ST

**Material :** 304 stainless steel hinge & steel screw.

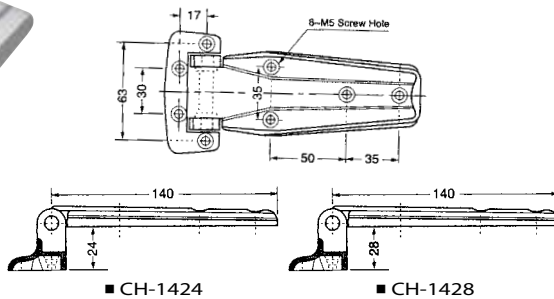
# 鉸鏈

## HINGE HIGH QUALITY



### ▶▶ CH-1450 / CH-1460

Material : high pressure die-cast zinc.  
 Finish : highly polished chrome plated.  
 Packing : 15 pairs per carton.  
 Offset : adjustable height  
 CH-1450 from 32mm to 50mm  
 CH-1460 from 32mm to 60mm  
 Action : door of medium refrigerator.  
 Speciality : can be used for left or right door.



### ▶▶ CH-1424 / CH-1428

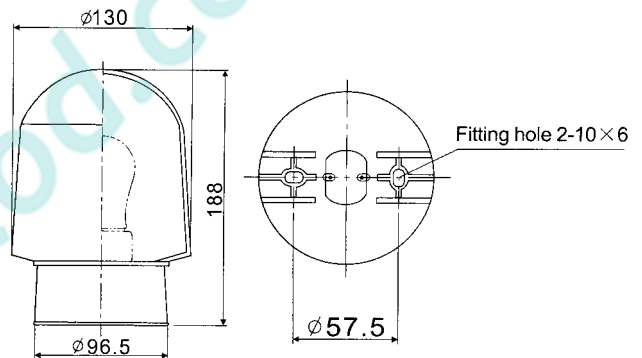
Material : high pressure die-cast zinc.  
 Finish : highly polished chrome plated.  
 Packing : 50 pcs per carton.  
 Offset : adjustable height  
 CH-1424 from 24mm  
 CH-1428 from 28mm

# 冷凍照明燈

## LAMP



▶▶ CH-1011  
 Cool room, inside lamps.  
 (220V/110V;60W/40W)



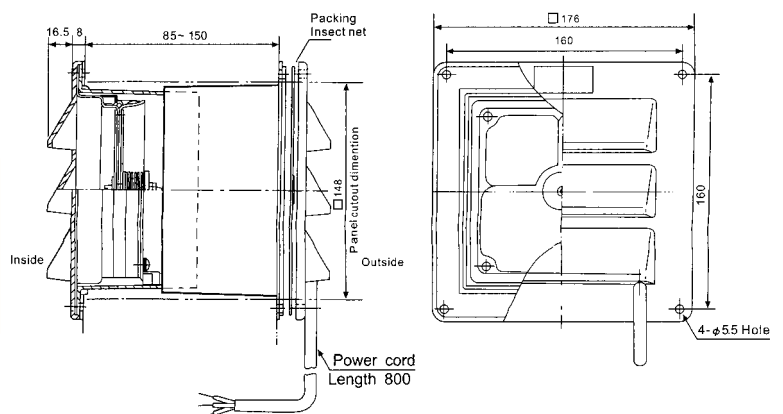
# 溫控冷凍庫壓力平衡窗

## VENTILATOR

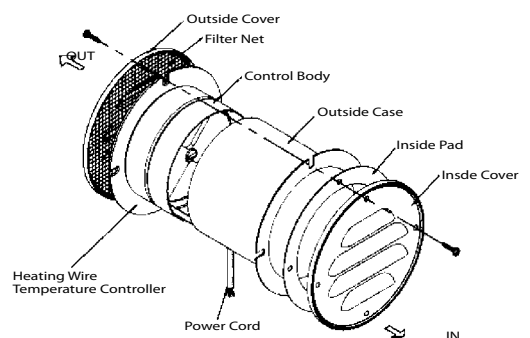
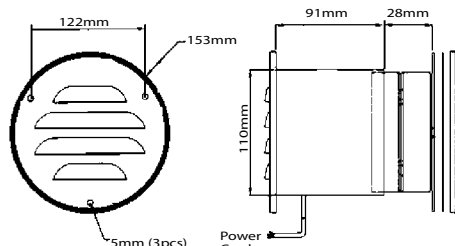


▶▶ CH-1110-R-110V  
 (A/C 110V)  
 ▶▶ CH-1110-R-220V  
 (A/C 220V)

Formula公式  
 Number of Ventilator  $\frac{1.3V}{T(273+t)}$   
 壓力平衡窗的數量 =  $\frac{1.3V}{T(273+t)}$   
 V = Volume of the room in M<sup>3</sup>  
 (房間容積M<sup>3</sup> 立方公尺)  
 T = Time variation in min. for 1°C  
 (溫度變化所需要的時間-分鐘)  
 t = Room temperature in °C,  
 273 and 1.3 are constant values  
 (房間裡的溫度°C, 273跟1.3是常值)

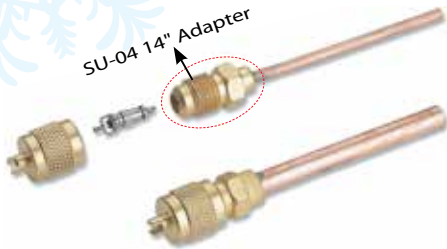


▶▶ CH-1110-S-110V  
 (A/C 110V)  
 ▶▶ CH-1110-S-220V  
 (A/C 220V)



# 沖灌閥 & U型沖灌閥

## SOLDER UNION



CH-9520C valve core and VCR-04 or CT-640-04

- ▶▶ **SU-02**  
1/4" M. fl.x 1/8" O.D.  
(Solder union 6cm)
- ▶▶ **SU-03**  
1/4" M. fl.x 3/16" O.D.  
(Solder union 6cm)
- ▶▶ **SU-04S**  
1/4" M. fl.x 1/4" O.D.  
(Solder union 6cm)
- ▶▶ **SU-04L**  
1/4" M. fl.x 1/4" O.D.  
(Solder union 10cm)
- ▶▶ **SU-05**  
1/4" M. fl.x 5/16" O.D.  
(Solder union 6cm)
- ▶▶ **SU-06**  
1/4" M. fl.x 3/8" O.D.  
(Solder union 6cm)
- ▶▶ **SU-04U**  
1/4" M. fl.x 1/4" F. fl.
- ▶▶ **SU-06U**  
3/8" M. fl.x 3/8" F. fl.
- ▶▶ **SU-08U**  
1/2" M. fl.x 1/2" F. fl.
- ▶▶ **SU-10U**  
5/8" M. fl.x 5/8" F. fl.

## 視窗-鎖牙

### SIGHT GLASS FLARE TYPE



- ▶▶ **CT-800-04**  
1/4"
- ▶▶ **CT-800-06**  
3/8"
- ▶▶ **CT-800-08**  
1/2"
- ▶▶ **CT-800-10**  
5/8"
- ▶▶ **CT-800-12**  
3/4"

## 視窗-焊接

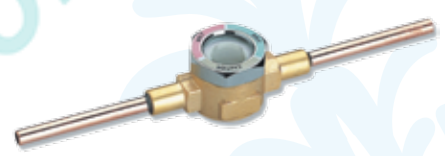
### SOLDER TYPE



- ▶▶ **CT-801-04S**  
1/4"
- ▶▶ **CT-801-06S**  
3/8"
- ▶▶ **CT-801-08S**  
1/2"
- ▶▶ **CT-801-10S**  
5/8"
- ▶▶ **CT-801-12S**  
3/4"
- ▶▶ **CT-801-14S**  
7/8"

## 焊銅管視窗

### SOLDER W/EXT. TUBE



- ▶▶ **CT-802-04**  
1/4"
- ▶▶ **CT-802-06**  
3/8"
- ▶▶ **CT-802-08**  
1/2"
- ▶▶ **CT-802-10**  
5/8"
- ▶▶ **CT-802-12**  
3/4"
- ▶▶ **CT-802-14**  
7/8"

## 單焊接銅管視窗

### IMALE x FEMALE TYPE



- ▶▶ **CT-803-04**  
1/4"
- ▶▶ **CT-803-06**  
3/8"
- ▶▶ **CT-803-08**  
1/2"
- ▶▶ **CT-803-10**  
5/8"
- ▶▶ **CT-803-12**  
3/4"

## 特殊牙規視窗

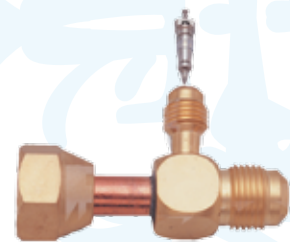
### SIGHT GLASS



- ▶▶ **CT-800-04 x 02 NPT**  
1/4" SAE x 1/8" NPT
- ▶▶ **CT-800-05 x 02 NPT**  
5/16" SAE x 1/8" NPT

## 三通銅接頭

### 3 WAY ADAPTER



- ▶▶ **CH-689-04 X 04**  
1/4" M. x (1/4" M. x 1/4" F.) SAE
- ▶▶ **CH-689-04 X 06**  
1/4" M. x (3/8" M. x 3/8" F.) SAE
- ▶▶ **CH-689-04 X 08**  
1/4" M. x (1/2" M. x 1/2" F.) SAE
- ▶▶ **CH-689-04 X 10**  
1/4" M. x (5/8" M. x 5/8" F.) SAE

## 毛細管組

### CAPILLARY TUBE



- ▶▶ **CT-900 DEP**  
1/8" Dia. Capillary tube with two 1/4" nuts and depressor, total length 90cm

CT-900M-3CM    CT-900M-2CM



- ▶▶ **CT-900M CAP**  
The product is designed specially pressure indicating instruments for refrigeration industry. This capillary tube is 1/8" and two flared tube are 1/4" with two 1/4" copper nuts length is 90cm total.

\*\* Special length are also available. \*\*

# 水流開關

## FLOW SWITCH



### INTRODUCTIONS

- Used to sense the change of flow that passes the pipe lines, playing a role to protect the torrential flow.
- Can be regulated based upon different run-off of flow.
- Employ a SPDT miniature switch with large capacity, possessing the advantages of quick action to guarantee the transient of the switch.
- The housing applies the totally enclosed construction ensuring switch's normal work under any circumstances.
- Liquid temperature 0°C to 100°C

### SPECIFICATIONS

Model	Connection Size	Material
FSF50P-1	1"-11½ NPT	Sealed plastic case Brass connection
FSF50P-2	1/2"-14 NPT	
FSF50P-3	3/4"-14 NPT	
FSF50P-1A	1"-11½ NPT	Sealed plastic case Stainless steel connection
FSF50P-2A	1/2"-14 NPT	
FSF50P-3A	3/4"-14 NPT	

### ELECTRICAL DATA

Current (A)	Voltage (V)		
	AC 110V	AC 220V	DC 24V
Non-Induced	14	10	8
Full Load	14	10	6
Momentary	84	60	36

## 鎖牙帽蓋閥

### CAPPED VALVE FLARE



- ▶▶ CT-H-06  
3/8"
- ▶▶ CT-H-08  
1/2"
- ▶▶ CT-H-10  
5/8"

## 焊接帽蓋閥

### CAPPED VALVE SOLDER



- ▶▶ CT-HS-06  
3/8"
- ▶▶ CT-HS-08  
1/2"
- ▶▶ CT-HS-10  
5/8"

## 球閥

### GLOBE VALVE



- ▶▶ CH-5007  
7/8" O.D.
- ▶▶ CH-5011  
1-1/8" O.D.
- ▶▶ CH-5013  
1-3/8" O.D.
- ▶▶ CH-5015  
1-5/8" O.D.

## 錶架閥

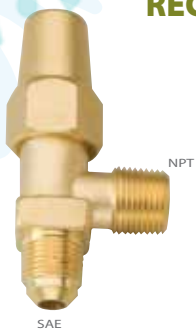
### GAUGE VALVE



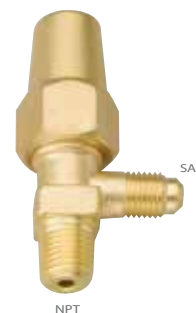
- ▶▶ GVS-04 X 02  
1/4" M x 1/8" F. NPT

## 排氣閥

### RECEIVER VALVE



- ▶▶ RV-04NPT X 04M  
1/4" NPT x 1/4" SAE
- ▶▶ RV-06NPT X 04M  
3/8" NPT x 1/4" SAE
- ▶▶ RV-06NPT X 06M  
3/8" NPT x 3/8" SAE



- ▶▶ RV-04 X 04  
1/4" SAE x 1/4" NPT
- ▶▶ RV-04 X 06  
1/4" SAE x 3/8" NPT
- ▶▶ RV-06 X 06  
3/8" SAE x 3/8" NPT
- ▶▶ RV-06 X 08  
3/8" SAE x 1/2" NPT
- ▶▶ RV-08 X 06  
1/2" SAE x 3/8" NPT
- ▶▶ RV-08 X 08  
1/2" SAE x 1/2" NPT

## 逆止閥

### CHECK VALVE



- ▶▶ FLARE TYPE  
W/Double Female Adapter  
CH - 6004 1/4" x 1/4"  
CH - 6005 5/16" x 5/16"
- ▶▶ SOLDER TYPE  
CH - 6004S 1/4" x 1/4"  
CH - 6005S 5/16" x 5/16"

## 止液閥

### HAND VALVE FLARE



手動凡而

- ▶▶ CT-D-04  
1/4"
- ▶▶ CT-D-06  
3/8"
- ▶▶ CT-D-08  
1/2"
- ▶▶ CT-D-10  
5/8"
- ▶▶ CT-D-12  
3/4"

## 止液閥

### HAND VALVE SOLDER



手動凡而

- ▶▶ CT-S-04  
1/4"
- ▶▶ CT-S-06  
3/8"
- ▶▶ CT-S-08  
1/2"
- ▶▶ CT-S-10  
5/8"
- ▶▶ CT-S-12  
3/4"
- ▶▶ CT-S-14  
7/8"

## 壓縮機閥

### VALVE



#### COMPRESSOR VALVE

Solder-type-forged brass body, the maximum working pressure is 500PSI, Tube Size: 3/4", 7/8", 1-1/8", the parts include one asbestos pad, two bolts. Distance of hole center : 44mm

- ▶▶ CH-307-7/8  
match CH-307-1-1/8" for 3 or 5 or 7.5HP
- ▶▶ CH-307-1-1/8  
match CH-413 for 10 or 15 or 20HP  
CH-415 for 30 or 40HP



#### COMPRESSOR VALVE

Solder type forged brass body. Working pressure over 500psi.

- ▶▶ CH-413  
1-3/8" O.D. Distance of hole center : 63mm
- ▶▶ CH-415  
1-5/8" O.D.

## 分離式冷氣機閥

### SPLIT AIR-CONDITIONER VALVE



- ▶▶ CH-602-04-1/4"  
2 way valve  
1/4" inlet  
1/4" flare outlet

3 way valve  
3/8" or 1/2" or 5/8" inlet 3/8" or 1/2" or 5/8" flare outlet 1/4" charging inlet with valve core

- ▶▶ CH-602-04S-1/4"
- ▶▶ CH-603-06-3/8"
- ▶▶ CH-603-0605  
5/16" charging inlet with valve core
- ▶▶ CH-604-08-1/2"
- ▶▶ CH-604-0805  
5/16" charging inlet with valve core
- ▶▶ CH-605-10-5/8"
- ▶▶ CH-605-1005  
5/16" charging inlet with valve core



3 way valve  
3/4" or 7/8" inlet  
3/4" or 7/8" flare outlet 1/4" charging inlet with valve core

- ▶▶ CH-606-12-3/4"
- ▶▶ CH-606-1205  
5/16" charging inlet with valve core
- ▶▶ CH-607-14-7/8"

## 開罐器/針閥

### CAN TAP VALVE / TOOL



- ▶▶ CH-340  
Can tap valve steel body, zinc handle, clamp type fits for flat and every kind connection thread refrigerant can.



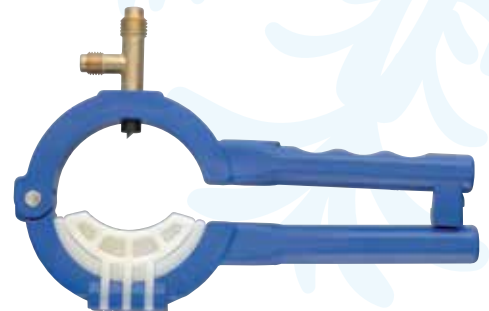
- ▶▶ CH-341  
Line piercing valve fits 3/16" thru 3/8" O.D. and has 1/4" flare connection for charging hose.



- ▶▶ CH-342  
Can tap valve forged brass body, strong and no leaking. Specially for R134A can 1/2" ACME female X 1/2" ACME male.



- ▶▶ CH-338  
1/4" flare outlet valve bottom female thread fitted with 12mm x 1.5 can thread.
- ▶▶ CH-338J  
1/4" flare outlet valve bottom female thread fitted with 14mm x 1.5 can thread.
- ▶▶ CH-339  
10mm flare outlet valve bottom female thread fitted with 12mm x 1.5 can thread.
- ▶▶ CH-339J  
10mm flare outlet valve bottom female thread fitted with 14mm x 1.5 can thread.



- ▶▶ CH-309  
3-in-1 Can tap: R-12, R134a & oil charge cans Dual 1/4" SAE & 1/2" ACME tee fitting for both R-12 & R-134a,  
\*\* Permanently attached swiveling inserts, quick change between can types.\*\*

# 銅接頭系列

## REFRIGERATION FLARED TUBE FITTING



- WITH VALVE CORE**
- ▶▶ CT-627-04 x 02  
1/4" x 1/8" NPT
  - ▶▶ CT-627-04 x 04  
1/4" x 1/4" NPT
  - ▶▶ CT-629-05 x 02  
5/16" x 1/8" NPT

有閥蕊



- MULTI SIZE SOLDER UNION**
- ▶▶ CT-7000  
for 1/8", 3/16", 1/4", 5/16", 3/8", 1/2" O.D. tubing with valve core.

有閥蕊



- CHARGING FITTING**
- ▶▶ CT-628-04  
1/4", 1/4" flare with valve core

有閥蕊



- ▶▶ CT-682-04 x 02  
1/4" x 1/4" x 1/8" F. NPS
- ▶▶ CT-682-04 x 04  
1/4" x 1/4" x 1/4" F. SAE



- ▶▶ UT-04 -1/4"
- ▶▶ UT-06 -3/8"
- ▶▶ UT-08 -1/2"
- ▶▶ UT-10 -5/8"
- ▶▶ UT-12 -3/4"



- ▶▶ CT-672-04 x 02  
1/4" x 1/4" x 1/8" NPT
- ▶▶ CT-672-04 x 04  
1/4" x 1/4" x 1/4" NPT

# 彎型接頭

## ELBOW



- UNION ELBOW**
- ▶▶ UE-04 1/4" x 1/4"
  - ▶▶ UE-06 3/8" x 3/8"
  - ▶▶ UE-08 1/2" x 1/2"
  - ▶▶ UE-10 5/8" x 5/8"
  - ▶▶ UE-12 3/4" x 3/4"



- FEMALE SWIVEL ELBOW**
- ▶▶ CT-679-06 x 06 3/8" x 3/8"
  - ▶▶ CT-679-08 x 08 1/2" x 1/2"
  - ▶▶ CT-679-10 x 10 5/8" x 5/8"



- MALE ELBOW**
- ▶▶ ME-04 x 02 1/4" flare x 1/8" NPT
  - ▶▶ ME-04 x 04 1/4" flare x 1/4" NPT
  - ▶▶ ME-06 x 06 3/8" flare x 3/8" NPT
  - ▶▶ ME-08 x 08 1/2" flare x 1/2" NPT



- ADAPTER 90° SWIVEL ELBOW**
- ▶▶ CT-10 1/4" male x 1/4" female
  - ▶▶ CT-11 1/4" male x 3/16" female
  - ▶▶ CT-12 1/4" male x 1/8" female
  - ▶▶ CT-13 5/16" male x 5/16" female
  - ▶▶ CT-10-05F 1/4" male x 5/16" female

# 活動 & 一般轉接頭

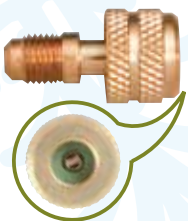
## CYLINDER ADAPTER SET



### 活動 & 一般轉接頭組

#### ▶▶ AD001

1	2	3	4
<b>CA-04*08</b> For QC-L & QC-H 1/4" M.F. x M14 x 1.5 w/o-ring	<b>CA-04*05CV</b> 5/16" M.F. w/valve core x 1/4" F.F.	<b>SCA-04M*05F</b> 1/4" M.F. x 5/16" F.F.	<b>CA-04*05</b> 1/4" M.F. x 1/2" ACME F.F.
2PCS	2PCS	2PCS	2PCS
5	6	7	8
<b>CH-146-1</b> For QC-LM10 10mm M.F. x M14 x 1.5 w/o-ring	<b>CA-05*04CV</b> 1/4" M.F. w/valve core x 5/16" F.F.	<b>SCA-05M*04F</b> 5/16" M.F. x 1/4" F.F.	<b>CA-05*04</b> 1/2" ACME M.F. x 1/4" F.F.
2PCS	2PCS	2PCS	2PCS
9	10	11	12
<b>CH-146-3</b> For QC-HM12 12mm M.F. x M14 x 1.5 w/o-ring	<b>R-04*05</b> 1/4" M.F. x 5/16" F.F.	<b>R-05*04</b> 5/16" M.F. x 1/4" F.F.	<b>CA-04*12MM</b> 1/4" M.F. x M12 x 1.5 w/o-ring for QC-L1234, H1234
2PCS	2PCS	2PCS	2PCS



- ▶▶ SCA-04M x 05F  
1/4" M.F. x 5/16" F.F. (1/2-20 UNF)
- ▶▶ SCA-05M x 04F  
5/16" M.F. (1/2-20 UNF) x 1/4" F.F.



- ▶▶ CA-04 x 05  
1/4" flare male x 1/2" ACME female



- ▶▶ CA-05 x 04  
1/2" ACME male x 1/4" flare female



- ▶▶ CA-04 x 08  
1/4" M.F. (7/16-20 UNF) x M14 x 1.5 with o-ring

- ▶▶ CA-06 x 08  
3/8" M.F. (5/8-18 UNF) x M14 x 1.5 with o-ring

- ▶▶ CH-146  
Changeable adapter 4pcs/card

Switch to R134A hose thread  
1pcs 10mm x 1.5 x 14mm x 1.5

1pcs 12mm x 1.75 x 14mm x 1.5

Switch to R12 hose thread

2pcs 1/4M.F. X 14mm X 1.5



- ▶▶ CA-03 x 12  
10mm M.F. x 3/4" F.F. (1-1/32-14 UNF) thread R134A use.

- ▶▶ CA-04 x 10  
1/4" M.F. x 5/8" F.F. (7/8-14 UNF)

- ▶▶ CA-04 x 12  
1/4" M.F. x 3/4" F.F. (1-1/32-14 UNF) thread R12 use.

- ▶▶ CA-05 x 12  
1/2" ACME M.F. x 3/4" F.F. (1-1/32-14 UNF) thread R134A use.

- ▶▶ CA-08 x 12  
1/2" M.F. x 3/4" F.F. (1-1/32-14 UNF) thread R12 use.



# 銅頭系列

## BRASS NUT



### LONG NUT

Item NO.	Tube O.D.IN
SN1-04	1/4"
SN1-05	5/16"
SN1-06	3/8"
SN1-08	1/2"
SN1-10	5/8"
SN1-12	3/4"



### SHORT NUT

Item NO.	Tube O.D.IN
SN2-04	1/4"
SN2-05	5/16"
SN2-06	3/8"
SN2-08	1/2"
SN2-10	5/8"



### REDUCING NUT

Item NO.	Outlet O.D.IN	Tube O.D.IN
RN-03 X 04	3/16"	x 1/4"
RN-04 X 06	1/4"	x 3/8"
RN-06 X 08	3/8"	x 1/2"
RN-08 X 10	1/2"	x 5/8"
RN-10 X 12	5/8"	x 3/4"



### STRONG SHORT NUT

Item NO.	Tube O.D.IN
N-04	1/4"
N-06	3/8"
N-08	1/2"
N-10	5/8"



### FORGED NUT

Item NO.	Tube O.D.IN
N-04-F	1/4"
N-06-F	3/8"
N-08-F	1/2"
N-10-F	5/8"
N-12	3/4"
N-14	7/8"



### CAP NUT

Item NO.	Tube O.D.IN
CN-04	1/4"
CN-05	5/16"
CN-06	3/8"
CN-08	1/2"
CN-10	5/8"
CN-12	3/4"



### PLUG

Item NO.	Tube O.D.IN
P-04	1/4"
P-05	5/16"
P-06	3/8"
P-08	1/2"
P-10	5/8"
P-12	3/4"



### UNION

Item NO.	Tube O.D.IN
U-04	1/4"
U-05	5/16"
U-06	3/8"
U-08	1/2"
U-10	5/8"
U-12	3/4"



### FLARE TO SOLDER UNION

Item NO.	Tube O.D.IN	Item NO.	Tube O.D.IN
FSU-04 x 04	1/4" x 1/4"	FSU-08 x 10	1/2" x 5/8"
FSU-04 x 06	1/4" x 3/8"	FSU-10 x 06	5/8" x 3/8"
FSU-06 x 04	3/8" x 1/4"	FSU-10 x 08	5/8" x 1/2"
FSU-06 x 06	3/8" x 3/8"	FSU-10 x 10	5/8" x 5/8"
FSU-06 x 08	3/8" x 1/2"	FSU-12 x 08	3/4" x 1/2"
FSU-08 x 06	1/2" x 3/8"	FSU-12 x 10	3/4" x 5/8"
FSU-08 x 08	1/2" x 1/2"	FSU-12 x 12	3/4" x 3/4"



### FEMALE CONNECTOR

Item NO.	Tube O.D.IN
FC-04 x 02	1/4" x 1/8" NPS
FC-04 x 04	1/4" x 1/4" NPS
FC-04 x 06	1/4" x 3/8" NPS
FC-02 NPT x 06PS	1/8" NPT x 3/8" PS-19



### REDUCING UNION

Item NO.	Tube O.D.IN
RU-04 x 10	1/4" x 5/8"
RU-05 x 04	5/16" x 1/4"
RU-06 x 04	3/8" x 1/4"
RU-08 x 04	1/2" x 1/4"
RU-08 x 06	1/2" x 3/8"
RU-10 x 06	5/8" x 3/8"
RU-10 x 08	5/8" x 1/2"
RU-12 x 08	3/4" x 1/2"
RU-12 x 10	3/4" x 5/8"



### MALE CONNECTOR

Item NO.	Tube O.D.IN
MC-04 x 02	1/4" x 1/8" NPT
MC-04 x 04	1/4" x 1/4" NPT
MC-04 x 06	1/4" x 3/8" NPT
MC-04 x 08	1/4" x 1/2" NPT
MC-05 x 04	5/16" x 1/4" NPT
MC-06 x 04	3/8" x 1/4" NPT
MC-06 x 06	3/8" x 3/8" NPT
MC-06 x 08	3/8" x 1/2" NPT
MC-08 x 06	1/2" x 3/8" NPT
MC-08 x 08	1/2" x 1/2" NPT
MC-08 x 12	1/2" x 3/4" NPT
MC-10 x 06	5/8" x 3/8" NPT
MC-10 x 08	5/8" x 1/2" NPT
MC-10 x 12	5/8" x 3/4" NPT
MC-12 x 12	3/4" x 3/4" NPT



### REDUCER

Item NO.	Tube O.D.IN
R-04 x 05	1/4" x 5/16"
R-04 x 06	1/4" x 3/8"
R-04 x 08	1/4" x 1/2"
R-05 x 04	5/16" x 1/4"
R-06 x 04	3/8" x 1/4"
R-06 x 05	3/8" x 5/16"
R-06 x 08	3/8" x 1/2"
R-06 x 10	3/8" x 5/8"
R-08 x 04	1/2" x 1/4"
R-08 x 06	1/2" x 3/8"
R-08 x 10	1/2" x 5/8"
R-10 x 06	5/8" x 3/8"
R-10 x 08	5/8" x 1/2"
R-10 x 12	5/8" x 3/4"
R-12 x 08	3/4" x 1/2"
R-12 x 10	3/4" x 5/8"



### WRENCH CAP

Item NO.	Tube O.D.IN
VCR-04	1/4"
VCR-05	5/16"



### FLARE CAP

Item NO.	Tube O.D.IN
CT-640-04	1/4"
CT-640-05	5/16"
CT-640-08	1/2"

# 紅銅帽

## COPPER SEAL CAP



- ▶▶ CS-04 -1/4"
- ▶▶ CS-06 -3/8"
- ▶▶ CS-08 -1/2"
- ▶▶ CS-10 -5/8"
- ▶▶ CS-12 -3/4"
- ▶▶ CS-14 -7/8"



- ▶▶ CS-04S -1/4"
- ▶▶ CS-06S -3/8"
- ▶▶ CS-08S -1/2"
- ▶▶ CS-10S -5/8"
- ▶▶ CS-12S -3/4"
- ▶▶ CS-14S -7/8"

# 安全栓

## SAFETY PLUG



可溶栓

The filled tin alloy will be fusible when system temperature is higher than 76°C / 168°F or 100°C / 212°F. Recommend for safety factor.

- ▶▶ CH-02 1/8" NPT
- ▶▶ CH-04 1/4" NPT
- ▶▶ CH-06 3/8" NPT

## 烤箱溫度計

### OVEN THERMOMETER



▶▶ OT-221N  
50~300°C  
100~600°F

## 冰箱溫度計

### REFRIGERATOR / FREEZER THERMOMETER



▶▶ RT-221  
2-1/2" stainless steel case.  
Temperature range : -30/30°C & -20/80°F

## 口袋型 & 電子溫度計

### POCKET & DIGITAL THERMOMETER



▶▶ CH-1415  
-58~482°F, -50~250°C Switchable  
1-1/4" Dia, 5" S.S stem  
with pocket clip case.  
2 push button (ON/OFF)  
Battery power capacity display  
Normal mode is 10 seconds per display  
1 second update when hold  
button of "ON"



▶▶ CH-143  
1-3/4" DIAL, 5" S.S.  
Stem with pocket clip case.  
Temperature range:  
Dual scale :  
-40/70°C & -40/160°F or,  
-10/110°C & 0/220°F



▶▶ CH-1005C  
1" dial, 5" S.S.  
Stem with pocket clip case.  
Temperature range:  
-40/70°C, -10/110°C,  
0/300°C, -40/100°F,  
0/220°F, -20/110°C



▶▶ CH-1415P  
-50~+150°C  
-58~+302°F



▶▶ CH-1001C  
-50°C~70°C, -40°C~70°C  
48" Wire sensor thermometer works  
by solar power and with a easy replace  
battery to provide power once light  
level decreased.



### 玻璃溫度計

#### GLASS THERMOMETER

##### ▶▶ GT-100

Red spirits filled, ABS case with pocket clip  
Temperature range : -40/70°C or -40°/160°F

## 紅外線溫度計

### INFRARED THERMOMETER

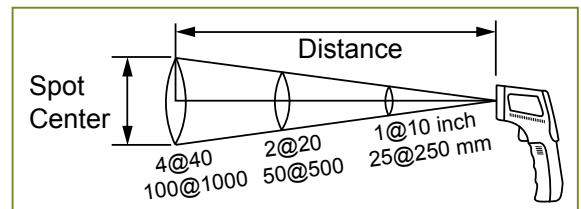


##### ▶▶ TM-301

#### INTRODUCTIONS

- Pull and hold trigger (laser pointer is on as default setting) to turn on, LCD display reading & battery icon. Release the trigger and the reading will hold for approx 10 sec.
- Locating a hot spot : Aim the thermometer outside the area of interest.

Scan across the area in an up and down motion until the hot spot is located while holding the activation trigger. The thermometer will continue to read the surface temperature while the activation trigger is pressed.

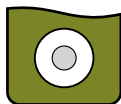


#### SPECIFICATIONS

- Temperature range: -30°C ~ 530°C (-22°F ~ 986°F)
- Accuracy : ±3°C (± 5°F) (-30°C~20°C / -22°F~68°F)
- Spectral Response : 5 ~ 14μ
- Resolution : 0.2°C / 0.5°F
- Laser power : ≤ 1mW
- Weight : ≥ 150g (without battery)
- Battery life : 12 hours
- Repeatability : ±2% or ± 2°C (± 3°F)
- Response time : 500ms@95%
- Emissivity : 0.95
- Power : 9V battery, 006Por IEC 6F22
- Auto power time : ≤ 10 sec
- Size : 166x95x33mm. (LxWxH)
- D:S : 10:1
- Ambient operating range : 0~40°C (32°F~104°F) ≤ 80%RH(noncondensing)
- Storage temp / humidity : -10°C ~ 60°F (14°F ~ 140°F) ≤ 70%RH

# 溫度/溼度監測器

## TEMPERATURE / HUMIDITY MONITOR



### ▶▶ TM-185 & TM-185D(Dat logging)

#### APPLICATION

- Warehouses. • Chambers/incubator. • Laboratories.
- Electronics manufacturing. • Hospitals blood / Tissue banks.
- Computer rooms. • Clean rooms. Refrigerators. • Defense.
- Other Critical areas.

#### FEATURES

- Complete environmental monitoring and alarm solution.
- Wall-Mounted LED type for easy reading.
- Alarm set for Hi and Low limit-Temperature and Humidity.
- USB Datalogging Capacity 30,000 records (TM-185D)
- Real-time data display.

#### DISPLAY

- Large LED display for simultaneous Reading of humidity and temperature.
- Dual LED display : the maximum reading on the top display (primary display) is 1999.
- The maximum reading on the bottom display (secondary display) is 999.

#### SPECIFICATIONS

Model	TM -185 / TM -185D
Temperature Range	-20°C~60°C (-4°F~140°F)
Temperature Accuracy	±(1.0°C / 1.8°F) (-5°C~40.0°C / 23°F~104°F); other ±2.0°C / ±3.6°F
Temperature Resolution	0.1°C / 0.1°F
Temperature Update Rate	1 time / second
Temperature Sensor Type	Diode
Relative Humidity Range	5%~95%
Relative Humidity Accuracy	±2.5% (20%~80RH) ±5.0% (<20%RH, >80%RH)
Relative Humidity Resolution	0.1 % RH
Relative Humidity Response time	below 4 seconds
LED Display	214 x120mm. (8.4 x4.73 inch)
Power Supply	AC to DC Adapter (9~12V/1A)
Dimension	260x178x47mm (LxWxH)
Weight	1000g

# 溫濕度記錄器

## USB TEMPERATURE / HUMIDITY DATALOGGER



patent pending



### ▶▶ TM-305U

#### INTRODUCTIONS

- The data is directly transferred to computer via USB cable, the docking station is not required.
- Water Resistant IP 65.
- Hi-Low set-up alarm.
- USB interface for set-up and data download.
- Fast USB download speed-download 50,000 records in less than 10 seconds.

#### SPECIFICATIONS

- Humidity sensor type : capacitive
- Sensor type : NTC
- Channel(s) : 2
- Range : -40°C to +85.0°C / -40°F to +185.0°F
- Accuracy : 0.6°C (1.2°F) from -20~50°C. (-4 to 122°F)  
1.0°C (1.8°F) all other rangers.
- Range : 1-99% RH.
- Accuracy : ±3.0% RH (20~80%RH)  
±5.0% (<20%, >80%RH)
- Interface : USB
- Datalogger memory : 50,000 records.
- Dimension : 83x60x24mm (LxWxH)



### ▶▶ 2040

#### SPECIFICATIONS

- Measurement range : -50 ~ +70°C & -58 ~ +158°F
- Resolution : 0.1  
Accuracy : ±1°C
- Panel mounting
- Unit size : 48mm X 28.6mm X 14mm
- Battery : 1 X 1.5V "G10" size or equivalent
- Sensor probe : internal sensor
- ABS Housing color : white

# 數位溫度錶

## DUAL INPUT K / J TYPE THERMOMETER



Protection Holster (optional accessory)



### ▶▶ TM-82N

#### POWER SUPPLY

- Battery type : 9V battery NEDA 1604, IEC 6F22, JIS 006P x1 PCS.

#### SPECIFICATIONS

- Dimension : 130x 56x38mm. (LxWxH)
- Weight : About 170g. (including battery)

Temperature unit	°C or °F optional
Temperature range	K type : -200 °C~1370 °C (-328 °F~2498 °F) J type : -200 °C~1050 °C (-328 °F~1922 °F)
Display resolution	0.1 °C(0.2 °F)
Accuracy	±(0.05%+0.7 °C) ±(0.05%+1.4 °F)
Input protection	Maximum voltage of temperature input is 24 DC or AC
Temperature coefficient	0.01% of reading +0.03 °C per °C (0.01% of reading +0.06 °F per °F) when circumstance out of the specified range of 18 °C~28 °C (64 °F~ 82 °F)



### ▶▶ YF-160A K Type thermometer

#### DISPLAY

- 3 1/2 digits LCD with maximum reading of 1999.
- Low battery indication: " "
- Polarity indication : automatic polarity, "-" display for negative input.

#### FUNCTIONS

- K type thermocouple with high accuracy range of -50°C ~ 1300°C (-58°F ~ 1999°F)
- Alternative measurement by °C or °F
- Function keys: ON/OFF, data hold, °C, °F 0.1°, 1.0°
- Suitable for electric engineering, freezing, air conditioning, food processing fields as well as surface temperature, metal, steel, electricity, chemical, ship building, synthetic resin process and metal heat process or other temperature control/management fields.

#### SPECIFICATIONS

Accuracy: ± (...% rdg + ...°C) at 23°C ± 5°C, below 80% RH.

	Test Range	Resolution	Accuracy
°C	-50°C ~ 1300°C	0.1°C	-50°C ~ 0°C : ±(0.5%+1°C)
			0°C ~ 199.9°C : ±(0.3%+1°C)
		1°C	-50°C ~ 300°C : ±(0.5%+1°C)
			301°C ~ 1000°C : ±(0.3%+1°C) 1001°C ~ 1300°C : ±(0.5%+1°C)
°F	-58°F ~ 1999°F	0.1°F	-58°F ~ 1999°F : ±(0.3%+2°F)
		1°F	-58°F ~ 1999°F : ±(0.3%+2°F)

The tolerance of temp.probe excluded.

\*\* Max. Input voltage for thermocouple : DC60V, AC24V\*\*

# K型熱電偶感溫棒

## K TYPE THERMOCOUPLE



Item	TP-01	TP-02	TP-03	TP-04
Thermocouple Material	Chromel-alumel alloyed the rmocouple(NI-Cr vs NI-Al)			
Contact Type	Insulation Type	Ground Type	Exposnd Type	Ground Type
Accuracy Classification	JIS C 1602 classification 0.75			
Sheath Size(mm)	3.2 Ø x 150	10 Ø x 150	Bead	15 Ø x 100
Max. Temperature	1292 °F / 700 °C		392 °F / 200 °C	752 °F / 400 °C
Min. Temperature	-58 °F / -50 °C			
Compensating Lead-Wire	(-20~90°C)1M approx.		1M approx.	(-20~90°C)1M approx.
Handhold	Max. allowable / heat 150 °C / Size: 12 Ø x 100mm		Max. allowable / heat 150 °C / Size: 12 Ø x 90mm	
Application	Available for liquid or gel	Available for front or plate	Available for complex or any place hard to enter	Available for precise surface

# 熱指數計

## HEAT STRESS WBGT METER

### ▶▶ TM-188 & TM-188D

#### FEATURES

- Accurate measurement for Wet Bulb Globe Temperature(WBGT), black globe temperature(TG), humidity(%RH), air temperature(TA), wet bulb(WET) and dew point(DEW) with fast response time.
- Selectable units of °C and °F.
- USB PC serial interface. (TM-188D)
- Data logging capacity : 12000 records. (TM-188D)
- Sampling interval : Max 24 hours; Min 1 Second. (TM-188D)
- Low battery indication
- Manual Data Memory : 50 records.
- WBGT alarm setting.
- Power : 006P 9V battery.
- External :AC100V~240V to DC 9V/0.5A.
- Tripod Threads.

#### SPECIFICATIONS : (23±5°C)

Wet Bulb Globe Temperature (WBGT)				
Unit	Range	Resolution	Accuracy@15~40°C	
indoor & Outdoor without sunlight	°C	0°C~59.0°C	0.1°C	±1.0 °C
	°F	32.0°F~138.0°F	0.1°F	±1.8 F
Outdoor With sunlight	°C	0.0°C~56.0°C	0.1°C	±1.5°C
	°F	32.0°F~132.0°F	0.1°F	±2.7°F

**\*\* Indoor & outdoor without sunlight:WBGT = (0.7xWET)+(0.3xTG)  
Outdoor with sunlight: WBGT=(0.7xWET)+ (0.2xTG)+(0.1xTA)\*\***

Relative Humidity (%RH)	
Range	1%~99%
Accuracy	±3.0%RH (20%~80%) ±5.0%RH (<20%,>80%)
Resolution	0.1%
Response time	<4sec

Air Temperature (TA)			
Unit	Range	Resolution	Accuracy@15~40°C
°C	0°C~50.0°C	0.1°C	±0.8°C
°F	32°F~122.0°F	0.1°F	±1.5°F

Black Globe Temperature (TG)			
Unit	Range	Resolution	Accuracy@15~40°C
°C	0°C~80.0°C	0.1°C	±0.6°C
°F	32.0°F~176.0°F	0.1°F	±1.1°F

Dew Point Temperature (DEW)		
Unit	Range	Resolution
°C	-35.3°C~48.9°C	0.1°C
°F	-31.5°F-120.1°F	0.1°F

The value is calculated from the RH and Air Temp.

Wet Bulb Temperature (WET)		
Unit	Range	Resolution
°C	-21.6°C~50.0°C	0.1°C
°F	-6.9°F~122.0°F	0.1°F

The value is calculated from the RH and Air Temp.



- In order to measure the WBGT index, please refer to the following regulations:
- ISO7243 : Hot environments. Estimation of the heat stress on working man.
- ISO4426 : Ergonomics of the thermal environment-instruments for measuring physical quantities.

- OSHA : Occupational Safety and Health Administration.
- JISHA: Japan Industrial Safety and Health Association.

# 熱線式風速計

## HOT-WIRE AIR VELOCITY METER

### ▶▶ TM-4001 & TM-4002

#### FEATURES

- Air Flow Volume.
- Temperature measurement.
- Instant, AVG and 2/3 V Max air flow measurement.
- Velocity m/s, ft/min, knots, km/hr, mph.
- Humidity measurement. (TM-4002)
- Dew point temperature function and wet bulb temperature. (TM-4002)
- **Dimension** : 156x73x35 mm(LxWxH)
- **Weight** : 250g.
- **Power** :  
Internal : 6 batteries 1.5V AAA-UM4.  
External : Power Adaptor AC/100~240V to DC 9V/0.5A.

NEW



#### Air flow(volume) calculation :

Unit	Range	Resolution	Accuracy
CMM	0~9999	0.1	—
CFM	0~9999	0.1	—

#### Air Velocity Measurement:

Unit	Range	Resolution	Accuracy
m/s	0.01 to 25.00 m/s	0.01	±1°C
Km/hr (kph)	0.02 to 90.00 knots	0.1	±1°C
mph	0.12 to 55.9 km/hr	0.1	±1°C
Knots (kts)	0.11 to 48.6 mile/hr	0.01	±1°C
Ft/min (fpm)	0 to 4921.0 ft/min	0.1	±1°C
Beaufort	1~10	1	±1.8°F

#### Temperature Measurement:

Unit	Range	Resolution	Accuracy
°C	-20~60	0.1	±1°C
°F	-4~140	0.1	±1.8°F

#### Humidity: Range : 5%~95%

Unit	Range	Resolution	Accuracy
%RH	20~80	0.1	±3.5%RH
%RH	<20, >80	0.1	±5%RH

#### Functions :

Unit	Air speed	Flow	99 Records	Temperature	Humidity
TM-4001 (with HP-01)	•	•	•	•	
TM-4002 (with HP-02)	•	•	•	•	•

# 冷媒測漏儀

## REFRIGERANT LEAKAGE DETECTOR

### ▶▶ 380/382 REFRIGERANT LEAK DETECTOR

#### FEATURES

- Air Sucking System for faster response and higher sensitivity. (382)
- Refrigerant Leakage-Detector is the perfect tool for maintaining the air-condition or a cooling system with compressor and refrigerant.
- This unit used newly developed semi-conductor sensor which is extremely sensitive to variety of general used refrigerant.
- Microprocessor Control with advanced digital signal processing.

#### SPECIFICATIONS

- High-low leak sensitivity selector. (380).
- 3 levels of sensitivity. (382)
- 7 LED tri-colored visual leak level indicator.
- Variable intensity audible alarm.
- Ambient concentration reset.
- 15.5" (40CM) flexible stainless probe.
- Detection of R-134a, R-404A, R-410A, R-407C, R-22, R-502, R600A ... refrigerants gas.
- Sensitivity as small 6gr/year (380) ; 3gr/year (382).
- Accordance with SAE J1627, CE design.
- Low battery indication.
- Reference leak source included.
- Hand carrying case included.
- Warm-up time : 45 seconds. (382)
- Operating temperature : 0 to 40°C (32 to 104°F)
- Power source : 4AA size alkaline batteries.
- Battery life : approx. 40hrs (380)
- AC Adapter : @3.3V 0.5A (382)

#### DIMENSION

- Size : 217X66X56mm (LxWxH)
- Weight : 400g (with battery).



DC 5V Jack (382)



# 風速計

## AIR VELOCITY METER



### TM-740

#### FEATURES

- Dual LCD display :  
The maximum reading on the primary display is 9999.
- The maximum reading on secondary display is 999.
- Low battery indication.

#### FUNCTIONS

- Dimension : 145\*48\*23mm (L\*W\*H)
- Power : 2 battery 1.5V AAA.
- High sensitivity of 0.4m/s.
- Auto power off with disable function.
- Weight : 80g.
- 30mm 6 plastic vane.
- Max/ Min / Avg and data hold.

#### TEMPERATURE

Unit	Range	Resolution	Accuracy
°C	-20~50	0.1	±1°C
°F	-4~122	0.1	±1.8°F

Unit	Range	Resolution	Accuracy
m/s	0.4~25	0.1	±2%+0.2
Km/hr(kph)	1.5~90	0.1	±2%+0.8
mph	0.9~55	0.1	±2%+0.4
Knots(kts)	0.8~48	0.1	±2%+0.4
ft/min(fpm)	79~4921	1	±2%+40

### TM-411 ~ 414

45mm 4 plastics vane.



### TM-402~404 & TM-411~414

#### FEATURES

- High sensitivity of 0.4m/s.
- Max/MIN/AVG and data hold.
- Low battery indication.
- Memory recall function.
- Absolute pressure sensor.
- Sample rate : one time per second.
- Air flow calculate function.
- Auto power off with disable function.
- Datalogging capacity : 99 records.
- Backlight function.
- Humidity Sensor.

#### FUNCTIONS

Model	Probe	99 Record	Flow	Temp.	Humidity	Pressure
TM-411	vane-01	●	●	●	●	●
TM-402	Pr401T	●	●	●	●	●
TM-412	vane-02	●	●	●	●	●
TM-403	Pr401H	●	●	●	●	●
TM-413	vane-03	●	●	●	●	●
TM-404	Pr401H	●	●	●	●	●
TM-414	vane-03	●	●	●	●	●

Protection Holster(optional accessory)

### TM-402 ~ 404

30mm 6 plastics vane.



#### AIR FLOW (VOLUME) CALCULATE

Unit	Ranges	Resolution	Accuracy
CMM	0~9999	1	—
CFM	0~9999	1	—

#### TEMPERATURE MEASUREMENT

Unit	Ranges	Ranges	Resolution	Accuracy
°C	-20 ~ 60	-20 ~ 50	0.1	± 1°C
°F	-4 ~ 140	-4 ~ 122	0.1	± 1.8°F

#### HUMIDITY MEASUREMENT

Unit	Ranges	Resolution	Accuracy
%RH	20 ~ 80	0.1	± 3.5%RH
%RH	<20 ~ >80	0.1	± 5%RH

#### ABSOLUTE PRESSURE

Unit	Ranges	Resolution	Accuracy
hPa	350 ~ 1100	0.1	±2h Pa
mmHg	263 ~ 825	0.1	±1.5mm Hg
inHg	10.3 ~ 32	0.1	± 0.1

#### AIR SPEED MEASUREMENT

Unit	Ranges (TM-401~TM-404)	Ranges (TM-411~TM-414)	Resolution	Accuracy
m/s	0.4 ~ 25	0.4 ~ 45	0.1	± 2%+0.2
Km/hr	1.5 ~ 90	1.5 ~ 160	0.1	± 2%+0.8
mph	0.9 ~ 55	0.9 ~ 100	0.1	± 2%+0.4
knots	0.8 ~ 48	0.8 ~ 88	0.1	± 2%+0.4
ft/min	79 ~ 4921	79 ~ 8800	1	± 2%+40
Beaufort	1 ~ 10	1 ~ 12	1	—

Protection Holster(optional accessory)

# 自動換檔數位電錶

## MULTIMETER TM-8X

NEW



▶▶ TM-81

▶▶ TM-82

▶▶ TM-86

▶▶ TM-87

▶▶ TM-88

	TM-81	TM-82	TM-86	TM-87	TM-88
<b>Overvoltage Category</b>	CAT IV 600V CAT III 1000V	CAT IV 600V CAT III 1000V	CAT IV 600V CAT III 1000V	CAT IV 600V CAT III 1000V	CAT IV 600V CAT III 1000V
<b>Trms</b>	—	—	—	V	V
<b>LCD</b>	1999 counts	1999 counts	3999 counts	3999 counts	3999 counts
<b>Sampling rate</b>	2.5/s	2.5/s	2.5/s	2.5/s	2.5/s
<b>Backlit</b>	—	YES	YES	YES	YES
<b>Bargraph</b>	—	—	—	YES	YES
<b>Auto power off</b>	V	V	V	V	V
<b>DC Voltage</b>	0.1 mV~ 600V(0.8%+1)	0.1mV~ 600V(0.8%+1)	0.1 mV~ 600V(0.8%+2)	0.1mV~1000V(0.5%+2)	0.1mV~1000V(0.5%+2)
<b>AC Voltage</b>	0.001V~ 600V(1.5%+3)	0.001V~ 600V(1.5%+3)	0.001V~ 600V(0.8%+3)	0.1mV~750V(1.3%+5)	0.1mV~750V(1.3%+5)
<b>DC Current</b>	—	—	0.01A ~10A(1.2%+3)	0.1uA~10A(1.0%+3)	0.1uA~10A(1.0%+3)
<b>AC Current</b>	—	—	0.01A ~10A(1.2%+3)	0.1uA~10A(1.5%+5)	0.1uA~10A(1.5%+5)
<b>Resistance</b>	200Ω, 2k, 20k, 200k, 2M, 20MΩ	200Ω, 2k, 20k, 200k, 2M, 20MΩ	400Ω, 4k, 40k, 400k, 4M, 40MΩ	400Ω, 4k, 40k, 400k, 4M, 40MΩ	400Ω, 4k, 40k, 400k, 4M, 40MΩ
<b>Accuracy</b>	±(1.0% + 3)	±(1.0% + 3)	±(1.0% + 2)	±(1.0% + 2)	±(1.0% + 2)
<b>Protection</b>	600Vrms	600Vrms	600Vrms	1000Vrms	1000Vrms
<b>Continuity Buzzer</b>	YES	YES	YES	YES	YES
<b>Diode Test</b>	YES (1.5V)	YES	YES	YES	YES
<b>Frequency</b>	—	—	0.01Hz~99.99KHz	1Hz~100KHz	—
<b>Duty Cycle</b>	—	—	20 - 80 %	—	—
<b>Accuracy</b>	—	—	±(1.0%+5)	—	—
<b>Capacitance</b>	—	—	5n,50n,500n,5u, 50u,100uF	4n,40n,400n,4u,40u, 400u,4m,40mF	4n,40n,400n,4u,40u, 400u,4m,40mF
<b>Accuracy</b>	—	—	±(3%+5)	±(1%+5)	±(1%+5)
<b>Temperature</b>	—	-40~800°C -40°F~1382°F	—	—	-40~800°C -40°F~1382°F
<b>Accuracy</b>	—	°C (±2%,3) °F (±296.5)	—	—	°C (±2%+3) °F (±2%+5)
<b>Range hold</b>	V	V	V	V	V
<b>Data hold</b>	V	V	V	V	V
<b>Max</b>	V	V	—	Max/Min	Max/Min
<b>Peak hold</b>	—	—	—	V	V
<b>REL</b>	—	—	V	V	V
<b>Accessories:</b>					
<b>-Carrying case, test leads, manual, battery</b>	•	• T10 Temp adapter	•	•	• T10 Temp adapter



# AC / DC 數位鉤錶

## AC CLAMP METER



### ▶▶ TM-1016

#### 400A HVAC AUTORANGING AC CLAMP METER

- 3 3/4 digits LCD with backlit and analog bargraph.
- Test range : ACA/uA, DCA/uA, ACV, DCV,  $\Omega$ , Continuity, Capacitance and Temperature.
- Use the test leads to measure the ACuA and DCuA.
- Double injection outer case.

#### FUNCTIONS

- Continuity buzzer (<40).
- Low battery indication.
- Auto power off (30 minutes).
- R-H : range hold.
- Dimension : 205 x64 x39 mm.(LxWxH)
- Weight : 280g. (Including battery)
- Select : selection button for the composite functions of ACuA / DCuA, ACV / DCV and  $\Omega$  / Continuity.
- Overload indication.
- Auto range.
- D-H : data hold.
- Power supply :2 batteries 1.5V AAA type.

Max measuring current	400A
Display counts	4000 Count Backlit LCD
Max conductor size	30mm (11.8")
AC Current	0.1~4000uA/0.01A~400A $\pm$ (2.0% +10)
DC Current	0.1~4000uA $\pm$ (1.0% +2)
AC Voltage	1mV~600V $\pm$ (1.0% +3)
DC Voltage	1mV~600V $\pm$ (0.8% +2)
Resistance	0.1 $\Omega$ ~40M $\Omega$ $\pm$ (0.8% +2)
Temperature(K-Type)	-50 $^{\circ}$ C~1200 $^{\circ}$ C and 158 $^{\circ}$ F~1999 $^{\circ}$ F

# AC / DC 數位鉤錶

## CLAMP METER



### ▶▶ TM-13E / TM-13R

#### 400A AUTORANGING AC/DC CLAMP METER

- 3-3/4 digits LCD with maximum reading 4000
- Test range : ACA, DCA, ACV, DCV,  $\Omega$ , continuity.

#### FUNCTIONS

- True rms (TM-13R)
- Overload indication.
- Auto power off (30 minutes).
- Range hold.
- Power supply.
- Continuity buzzer (<40).
- Low battery indication.
- Data hold.
- Zero.

#### DIMENSION

- Size : 195X64X30mm (LxWxH)
- Weight : 245g.

#### SPECIFICATIONS

Max measuring current	400A
Display counts	4000
Max conductor size	30 mm
AC Current	10mA ~ 400A $\pm$ (2.0%+10)
DC Current	10mA ~ 400A $\pm$ (2.0%+10)
AC Voltage	0.1mV ~ 600V $\pm$ (1.0%+3)
DC Voltage	0.1mV ~ 600V $\pm$ (0.8%+2)
Resistance	Yes (<40 $\Omega$ )



### ▶▶ TM-16E

#### 600A AUTORANGING AC CLAMP METER

- 3-1/2 digits LCD with maximum reading 2000
- Test range : ACA, ACV, DCV,  $\Omega$ , continuity, diode.

#### FUNCTIONS

- Continuity buzzer (<25  $\Omega$ ).
- Low battery indication.
- Auto power off (30 minutes).
- Range hold.
- Overload indication.
- Auto range.
- Data hold.
- Power supply.

#### DIMENSION

- Size : 195X64X30mm (LxWxH)
- Weight : 240g.

#### SPECIFICATIONS

Max measuring current	600A
Display counts	2000
Max conductor size	30 mm
AC Current	0.1A ~ 600A(Auto) $\pm$ (2.0%+5)
AC Voltage	0.1 ~ 600V $\pm$ (1.5%+5)
DC Voltage	0.1V ~ 600V $\pm$ (1.0%+2)
Resistance	0.1 ~ 200 $\Omega$ $\pm$ (0.8%+3)



AC 指針鉤錶

### YF-800

#### 300A ANALOG AC CLAMP METER DISPLAY

Rotary scales present one range at a time.

#### FUNCTIONS

- Function keys : pointer lock switch.
- Test ranges : ACV, ACA, Ohm.
- Zero adjustment screw.
- The maximum conductor size is 42mm.
- Inter magnetic version to prevent interference from magnetic field.

#### DIMENSION

- Size : 220X85X33mm (LxWxH)
- Weight : 340g (including battery).

#### SPECIFICATIONS


	Range	Accuracy	Input	Overload
ACV		(50Hz ~60Hz)	Impedance	Protection
	150V	+/- 3.0	2.1K Ohm/V	0.5A/250 Vrms
	300V			
600V				
ACA		(50Hz ~60Hz)	--	Protection
	6A	± 3.0	--	400A
	15A			
	60A			
	150A			
300A				
Resistance	5K Ohm	+/- 3.0	--	0.5A/250 Vrms



電子式鉤錶

### YF-8020

#### 600A AC CLAMP METER DISPLAY

- 3-1/2 digits LCD with maximum reading 2000
- Low battery indication: "  "

#### FUNCTIONS

- Function keys : data hold.
- Test range : ACV, ACA, Ω.
- Data hold.

#### DIMENSION


- Size : 209X77X36mm (LxWxH)
- Weight : 260g.

#### SPECIFICATIONS

Max measuring current	600A
Display counts	2000
Max conductor size	35 mm
AC Current	0.01A ~ 600A ± (2.0%+5)
AC Voltage	0.1V ~ 750V ± (1.0%+3)
Resistance	1Ω ~ 2KΩ ± (1.0%+2)

### YF-8070

#### 600A AC CLAMP METER DISPLAY

- 3-1/2 digits LCD with maximum reading 2000
- Low battery indication: "  "

#### FUNCTIONS

- Function keys : data hold, peak hold.
- Test range : ACV, ACA, Ω, Hz, continuity.
- Continuity buzzer.
- Peak hold.
- Data hold.

#### DIMENSION

- Size : 221X62X35mm (LxWxH)
- Weight : 330g.

#### SPECIFICATIONS

Max measuring current	600A
Display counts	2000
Max conductor size	35 mm
AC Current	10mA ~ 600A ± (2.0%+5)
AC Voltage	0.1V ~ 750V ± (1.2%+3)
Resistance	1Ω ~ 2000Ω ± (1.0%+2)
Frequency	1Hz ~ 5MHz ± (0.8%+3)



# 乾燥過濾器

CHARGED WITH XH9 MOLECULAR SIEVE STRONGLY MOISTURE ABSORB AND CAN BE FOR R12, 22, 502 AND R134A



PART NO.	Fittings	Diameter(mm)	Length(mm)
FD-052	1/4"Flare	63	123
FD-053	3/8"Flare	63	135
FD-083	3/8"Flare	63	155
FD-164	1/2"Flare	63	200
FD-165	5/8"Flare	63	211
FD-052S	1/4"solder	63	119
FD-083S	3/8"solder	63	145
FD-164S	1/2"solder	63	193
FD-165S	5/8"solder	63	194

PART NO.	Fittings	Diameter(mm)	Length(mm)
CH-032	1/4"Flare	42	112
CH-052	1/4"Flare	58	119
CH-083	3/8"Flare	58	156
CH-084	1/2"Flare	58	169
CH-163	3/8"Flare	58	176
CH-164	1/2"Flare	58	184
CH-165	5/8"Flare	58	195
CH-089	3/8"MF	89	253
CH-052S	1/4"solder	58	104
CH-083S	3/8"solder	58	123
CH-164S	1/2"solder	58	155
CH-165S	5/8"solder	58	155

# 壓力開關

## PRESSURE SWITCH



Part NO.	Type	Pressure Range kg/cm <sup>2</sup> LOW = 02 MID±0.5 HIGH±2			Heat Resistance	Working Pressure	Pressure Sureport	Voltage Inductive Load	Prerigerant
		2.0	· ·	· ·					
20100	Low male switch	2.0	· ·	· ·	100°C	30Kg/cm <sup>2</sup>	45Kg/cm <sup>2</sup>	DC12V3.5A	R12
20200	Binary male switch	2.0	· ·	26.5	100°C	30Kg/cm <sup>2</sup>	45Kg/cm <sup>2</sup>	DC12V3.5A	R12
20210	Binary male switch	2.0	· ·	24	100°C	30Kg/cm <sup>2</sup>	45Kg/cm <sup>2</sup>	DC12V3.5A	R12
23202	Binary male switch	2.0	· ·	32	100°C	30Kg/cm <sup>2</sup>	45Kg/cm <sup>2</sup>	DC12V3.5A	R134A
23203	Binary male switch	2.0	· ·	28	100°C	30Kg/cm <sup>2</sup>	45Kg/cm <sup>2</sup>	DC12V3.5A	R134A
23204	Binary male switch	2.0	· ·	27	100°C	30Kg/cm <sup>2</sup>	45Kg/cm <sup>2</sup>	DC12V3.5A	R134A
23205	Binary male switch	2.0	· ·	32	100°C	30Kg/cm <sup>2</sup>	45Kg/cm <sup>2</sup>	DC12V3.5A	R134A
20206	Binary female switch	2.0	· ·	26.5	100°C	30Kg/cm <sup>2</sup>	45Kg/cm <sup>2</sup>	DC12V3.5A	R12
20207	Binary female switch	2.0	· ·	24	100°C	30Kg/cm <sup>2</sup>	45Kg/cm <sup>2</sup>	DC12V3.5A	R12
23208	Binary female switch	2.0	· ·	28	100°C	30Kg/cm <sup>2</sup>	45Kg/cm <sup>2</sup>	DC12V3.5A	R134A
23209	Binary female switch	2.0	· ·	32	100°C	30Kg/cm <sup>2</sup>	45Kg/cm <sup>2</sup>	DC12V3.5A	R134A
30020	Relay	12V	20A	200A MAX current		500V UP insulating			
30021	Relay	12V	20A	200A MAX current		500V UP property			



▶▶ YL-4301  
Solenoid Valve



▶▶ YL-5041  
Fan switch



▶▶ YL-6602

Nominal voltae : DC 12V  
Load : 1A  
Cuurrent : 0.2V  
A/type : DC 12V  
B/type : DC 24V

\*\* Special length are also available.\*\*

# 液氣分離器

## REFRIGERANT ACCUMULATOR

### INSTALLATION INSTRUCTIONS

1. Vertically mounted only.
2. Install as close to the compressor as possible.
3. Suction line from evaporator into inlet connection installed to suction line of compressor.
4. Reverse cycle systems required.  
Accumulator to be installed between the compressor and the reversing valve.
5. Keep direct flame away from fusible relief device while soldering connections.
6. Safe working pressure 450 PSI.

Maximum recommended actual tons based on pressure drop through accumulator equivalent to 1/2°F minimum recommended actual tons based on minimum flow through accumulator necessary to insure positive oil return.

All data is based on actual tons and bears no relationship to horsepower.

Minimum evaporator temperature -40°F.

Minimum suction gas temperature through accumulator + 10°F.



Item NO.	Size Conv. ODE	B Length Inches	A Dia. Inches
RA-204	1/2	8	4
RA-205	5/8	10-5/8	4
RA-206	3/4	9	5-1/2
RA-207	7/8	12	5-1/2
RA-208	1-1/8	15	6-1/2
RA-209	1-3/8	20	6-1/2
RA-210	1-5/8	22	6-1/2
RA-221	2-1/8	29	8-5/8

# 過濾乾燥筒 & 油分離器

## REPLACEABLE CORE TYPE DRIER & OIL SEPARATOR

### CD-1101

These devices offer the flexibility of using either replaceable filter cores as protection against solid.

Contaminants, or replaceable filter-drier blocks for protection against acid, moisture, and solids.

They provide high liquid line flow capacities for larger air-conditioning and refrigeration jobs. Some key features of the demountable series :

- Simplified internal hardware for easy installation.
- Full flow fittings for low pressure drop.
- Corrosion - resistant epoxy paint finish.
- Sturdy steel shells for long life durability.
- Safe working pressure 500 PSIG.
- Burst pressure 2500 PSIG.



### S-5200

Separator's function is to help refrigeration and air conditioning systems operate more efficiently and save energy.

In any refrigeration system, refrigerant and oil are always present. Certain amounts of oil will always leave the compressor crank-case with refrigerant gas.

The oil separator separates the oil from the refrigerant and returns it to the compressor crank-case before it can enter other components of the system.

The less oil in circulation in a refrigeration system, the more refrigerant available for cooling, This increases the efficiency of a system by reducing running time and lowering operating cost. Safe working pressure-450PSIG.



Item NO.	Conn-ection Type	Dimen A	Dimen B
CD - 1100	5/8" ODS	8-3/4	5-1/2
CD - 1101	3/4" ODS	8-3/4	5-1/2
CD - 1102	7/8" ODS	8-7/8	5-5/8
CD - 1103	1-1/8" ODS	9-3/16	5-15/16
CD - 1104	1-3/8" ODS	9-5-16	6
CD - 1105	1-5/8" ODS	9-9-16	6-1/4
CD - 1106	2-1/8" ODS	9-9-16	6-1/4
CD - 2202	7/8" ODS	14-1/2	11-1/4
CD - 2203	1-1/8" ODS	14-13/16	11-9/16
CD - 2204	1-3/8" ODS	14-13/16	11-9/16
CD - 2205	1-5/8" ODS	14-5/16	11-11/16
CD - 2206	2-1/8" ODS	15-7/6	12-3/6
CD - 3303	1-1/8" ODS	20-3/8	17-1/8
CD - 3304	1-3/8" ODS	20-3/8	17-1/8
CD - 3305	1-5/8" ODS	20-1/2	17-1/4
CD - 3306	2-1/8" ODS	21	17-3/4
CD - 4404	1-3/8" ODS	25-13/16	22-9/16
CD - 4405	1-5/8" ODS	26-13/16	22-11/16
CD - 4406	2-1/8" ODS	26-7/19	23-3/6

### Dimenslons - inches

Item NO.	DCI NO.	Size Conn.	length.	DIA. Inches
S-5200	5201S	1/2" ODS	7-1/2	4
	5201	1/2" ODS	10-1/4	
	5202	5/8" ODS	14-1/4	
	5203	7/8" ODS	16-3/4	
	5204	1-1/8" ODS	18	
S-5300	5205	1-3/8" ODS	19	4
	5302	1/2" ODS	10-1/4	
	5303	5/8" ODS	14-1/4	
	5304	7/8" ODS	14-3/4	
	5305	1-1/8" ODS	18	
S-6200	5306	1-3/8" ODS	19	6
	5307	1-5/8" ODS	19	
	6202	1-1/8" ODS	14-1/2	
	6203	1-3/8" ODS	16	
S-6300	6204	1-5/8" ODS	17-1/4	6
	6205	2-1/8" ODS	19	
	6302	1-1/8" ODS	14-1/2	
	6303	1-3/8" ODS	16	
	6304	1-5/8" ODS	17-1/4	6
	6305	2-1/8" ODS	19	

# 儲液器 & 冷熱交換器

## REFRIGERATION RECEIVER & HEAT-EXCHANGER



Vertical receivers supply you with best choice for your refrigeration system which the receivers needed vertical mount.

They offer 500 p.s.i.g. safe working pressure.

Refer to the specification while ordering.

Each size has up outlet and down outlet.

General use is up outlet model.



Offers the complete line of strong construction of suction accumulators which provide you with the largest capacity of protection against rust.

All heat exchanger-suction accumulators are complete with RR362 fusible plug installed.

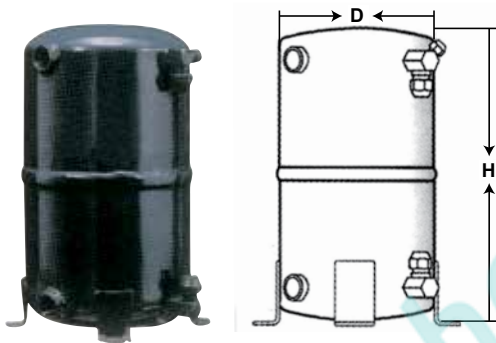
Please refer to the specifications listed below while ordering.

Item NO.	Dimension (inches)		Connection size	
	DIA.	H.	IN.	OUT.
CR-101	3-3/8	8-3/4	3/8	1/4
CR-102	5	9-5/8	3/8	3/8
CR-103	5	11-1/2	3/8	3/8
CR-104	6	13-3/4	1/2	1/2
CR-105	7	17	5/8	5/8
CR-106	6-1/2	20-7/8	3/4	3/4
CR-107	6-1/2	28-3/4	7/8	7/8

Item NO.	DIA inch	Length Inches.	Suction Line I.D.	Liquid Line I.D.
SAV-2404	4	8-1/2	1/2	3/8
SAV-2405	4	10-5/8	5/8	3/8
SAV-2406	5-1/2	10	3/4	3/8
SAV-2407	5-1/2	13	7/8	1/2
SAV-2411	6-1/2	15-3/4	1-1/8	3/4
SAV-2413	6-3/4	20	1-3/8	3/4
SAV-2415	6-3/4	23	1-5/8	3/4
SAV-2417	8-5/8	29	2-1/8	7/8

### 圓管冷卻器

#### SHELL AND TUBE REFRIGERANT CONDENSER



Item NO.	Flow capacity tons	Dimension (Inch)		Overall dimensions (inches)		Weight (Kg)
		D	H	Refrigerant Tube In/Out	Water Tube In/Out	
ST-6101	1	6	10-1/4	3/8" SAE	1/2" ODF	4.4
ST-6102	2	6	11-3/4	3/8" SAE	1/2" ODF	5
ST-6103	3	8	13-3/4	1/2" SAE	3/4" ODF	8.8
ST-6105	5	8-5/8	18	5/8" SAE	1" ODF	21.5

### 套管式冷卻器

#### DOUBLE TUBE CONDENSER



Item NO.	Flow capacity tons	Cooper tubing connection		Overall dimensions (inches)		
		Refrigerant Tube size in/out	Water Tube size in/out	Body Length (L)	Height (D)	Width (W)
DT-5201	1	1/2" ODS	3/4" ODS	10"	6-7/8"	9"
DT-5202	2	1/2" ODS	3/4" ODS	13"	7-3/4"	9"
DT-5203	3	1/2" ODS	1/2" ODF	14-1/2"	8-3/4"	9"
DT-5205	5	5/8" ODS	1" ODF	17-1/2"	16-1/2"	9"
DT-5207	7.5	7/8" ODS	1-1/4" ODF	26-1/2"	19-3/4"	9"
DT-5210	10	7/8" ODS	1-1/2" ODF	26-1/2"	23-5/8"	9"

### 保溫管

#### INSULATION PIPE



▶▶ AP-701  
Each pc 6ft length  
I.D. from 1/4"~2-1/8"  
Wall thickness from 3/8"~1"

### 保溫片

#### INSULATION SHEET



▶▶ AP-702  
Closed cell, black color  
L x W is 3" x 4"  
Thickness from 1/8"~1"

### 保溫膠帶

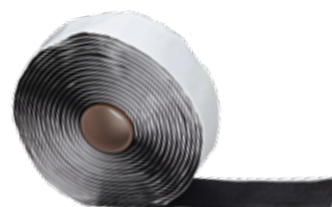
#### INSULATION TAPE



▶▶ AP-703  
1/8" x 2" x 30 meter

### 軟木膠帶

#### TAR CORK TAPE



▶▶ CT-302  
1/8" x 2" x 30 meter

