



# ***SANYO SCROLL COMPRESSORS***

**For Commercial Air Conditioning**



**C-SB Series**



**C-SC Series**

SANYO Electric Co., Ltd.  
Compressors & Systems Division  
Dalian SANYO Compressor Co., Ltd.

01,Jan,2003

### European & Chinese power supply specifications models

Refrigerant	Out Put		Displacement cm <sup>3</sup> /rev	Power Source			Compressor Code	Compressor Model	Nominal Capacity			
				Ph	Hz	V			50Hz	60Hz	50Hz	60Hz
	HP	kW					kW	kW	x1000 BTU/h	x1000 BTU/h		
R22	3.5	2.6	55.6	1	50	220,230,240	809 830 45	C-SB261H5A	9.7	-	33.1	-
			56.2	3	50/60	380/440	809 830 88	C-SB263H8A	9.9	-	33.8	-
	4	3.0	66.7	1	50	220,230,240	809 840 45	C-SB301H5A	11.7	-	39.9	-
			66.7	3	50/60	380/440	809 840 88	C-SB303H8A	11.6	14.1	39.6	48.1
			66.7	3	50/60	380/440	809 846 88 * <sup>1</sup>	C-SB303H8G	11.6	14.1	39.6	48.1
	4.5	3.5	77.4	1	50	220,230,240	809 842 45	C-SB351H5A	13.4	-	45.8	-
			77.4	3	50/60	380/440	809 842 88	C-SB353H8A	13.7	-	46.8	-
	5	3.75	83.4	3	50/60	380/440	809 850 88	C-SB373H8A	14.5	17.9	49.5	61.1
			85.5	3	50/60	380/440	809 855 88	CSB-373H8F	15.0	-	51.2	-
	6	4.5	100.0	3	50/60	380/440	808 860 88	C-SB453H8A	17.7	21.5	60.4	73.4
			100.0	3	50/60	380/440	809 866 88 * <sup>1</sup>	C-SB453H8G	17.7	21.5	60.4	73.4
	8	6.0	137.0	3	50/60	380/440	809 281 88	C-SC603H8H	24.2	29.5	82.6	100.7
			137.0	3	50/60	380/440	809 282 88 * <sup>2</sup>	C-SC603H8J	24.2	29.5	82.6	100.7
	10	7.5	171.2	3	50/60	380/440	809 201 88	C-SC753H8H	30.5	37.3	104.1	127.3
171.2			3	50/60	380/440	809 202 88 * <sup>2</sup>	C-SC753H8J	30.5	37.3	104.1	127.3	
12	7.5	205.4	3	50	380	809 221 88	C-SC763H8H	36.3	-	123.9	-	
		205.4	3	50	380	809 222 88 * <sup>2</sup>	C-SC763H8J	36.3	-	123.9	-	
R407C	4	3.0	66.7	3	50/60	380/440	809 940 88	C-SBN303H8A	11.5	14.3	39.1	48.8
	5	3.75	83.4	3	50/60	380/440	809 950 88	C-SBN373H8A	14.5	17.8	49.5	60.8
	6	4.5	100.0	3	50/60	380/440	809 960 88	C-SBN453H8A	17.6	21.3	60.1	72.7
	8	6.0	137.0	3	50/60	380/440	809 181 88	C-SCN603H8H	24.3	29.1	83.0	99.4
	10	7.5	171.2	3	50/60	380/440	809 101 88	C-SCN753H8H	30.0	36.2	102.4	123.6
	12	7.5	205.4	3	50	380	809 121 88	C-SCN763H8H	34.8	-	118.8	-

\*<sup>1</sup> The connection port of oil balance tube is attached to this model.

\*<sup>2</sup> The connection port of oil level sensor is attached to this model.

Available in 2003

#### RATING CONDITION

	R22	R407C
Condensing Temperature	54.4	54.4
Evaporating Temperature	7.2	7.2
Liquid Temperature	46.1	43.8
Return Gas Temperature	18.3	18.3

\* Condensing/Evaporating Temperature of R407C are Mid point temperature.

# SANYO SCROLL COMPRESSORS

## For Commercial Air Conditioning



### North American power supply specifications models

Refrigerant	Out Put		Displacement cm <sup>3</sup> /rev	Power Source			Compressor Code	Compressor Model	Nominal Capacity	
	HP	kW		Ph	Hz	V			60Hz	60Hz
									kW	x1000 BTU/h
R22	3.5	2.6	55.6	1	60	208,230	809 831 46	C-SB261H6B	11.7	39.9
	4	3.0	66.7	1	60	208,230	809 841 46	C-SB301H6B	14.4	49.2
			66.7	3	60	208,230	809 841 86	C-SB303H6B	14.1	48.1
			66.7	3	60	380	809 841 89	C-SB303H9B	14.1	48.1
	4.5	3.5	77.4	1	60	208,230	809 843 46	C-SB351H6B	16.6	56.7
			77.4	3	60	208,230	809 843 86	C-SB353H6B	16.6	56.7
	5	3.75	83.4	3	60	208,230	809 851 86	C-SB373H6B	17.9	61.1
			83.4	3	60	380	809 851 89	C-SB373H9B	17.9	61.1
	6	4.5	100.0	3	60	208,230	809 861 86	C-SB453H6B	21.5	73.4
	8	6.0	137.0	3	60	208,230	809 281 86	C-SC603H6H	29.1	99.4
			137.0	3	60	460,480	809 281 89	C-SC603H9H	29.5	100.7
	10	7.5	171.2	3	60	208,230	809 201 86	C-SC753H6H	36.2	123.6
171.2			3	60	460,480	809 201 89	C-SC753H9H	37.2	127.0	
R407C	4	3.0	66.7	3	60	208,230	809 941 86	C-SBN303H6B	13.9	47.5
	5	3.75	83.4	3	60	208,230	809 951 86	C-SBN373H6B	17.6	60.1
	6	4.5	100.0	3	60	208,230	809 961 86	C-SBN453H6B	20.9	71.4
	8	6.0	137.0	3	60	208,230	809 181 86	C-SCN603H6H	28.8	98.3
	10	7.5	171.2	3	60	208,230	809 101 86	C-SCN753H6H	35.9	122.6
R410A	4	3.0	40.0	3	60	208,230	809 943 86	C-SBN303H6D	12.2	41.7
	5	3.75	55.6	3	60	208,230	809 953 86	C-SBN373H6D	17.1	58.4
	6	4.5	66.7	3	60	208,230	809 963 86	C-SBN453H6D	20.3	69.3

Available in 2003

RATING CONDITION	R22/R410A	R407C
Condensing Temperature	54.4	54.4
Evaporating Temperature	7.2	7.2
Liquid Temperature	46.1	43.8
Return Gas Temperature	18.3	18.3

\* Condensing/Evaporating Temperature of R407C are Mid point temperature.

01,Jan,2003

# SANYO SCROLL COMPRESSORS

## For Commercial Air Conditioning



### Japanese power supply specifications models

Refrigerant	Out Put		Displacement	Power Source			Compressor Code	Compressor Model	Nominal Capacity			
				Ph	Hz	V			50Hz	60Hz	50Hz	60Hz
	HP	kW	cm <sup>3</sup> /rev				kW	kW	x1000 BTU/h	x1000 BTU/h		
R22	4	3.0	66.7	3	50/60	200	809 841 83	C-SB303H3B	11.6	14.1	39.6	48.1
	5	3.75	83.4	3	50/60	200	809 851 83	C-SB373H3B	14.5	17.9	49.5	61.1
	6	4.5	100.0	3	50/60	200	809 861 83	C-SB453H3B	17.7	21.5	60.4	73.4
	8	6.0	137.0	3	50/60	200	809 280 83 *2	C-SC603H3G	24.5	29.1	83.6	99.4
	10	7.5	171.2	3	50/60	200	809 200 83 *2	C-SC753H3G	30.9	36.2	105.5	123.6
	12	7.5	205.4	3	50	200	809 220 83 *2	C-SC763H3G	36.3	-	123.9	-
R407C	4	3.0	66.7	3	50/60	200	809 941 83	C-SBN303H3B	11.4	13.9	38.9	47.5
	5	3.75	83.4	3	50/60	200	809 951 83	C-SBN373H3B	14.9	17.6	50.9	60.1
	6	4.5	100.0	3	50/60	200	809 961 83	C-SBN453H3B	17.7	20.9	60.4	71.4
	8	6.0	137.0	3	50/60	200	809 180 83 *2	C-SCN603H3C	24.5	28.8	83.6	98.3
	10	7.5	171.2	3	50/60	200	809 100 83 *2	C-SCN753H3C	30.7	35.9	104.8	122.6
	12	7.5	205.4	3	50	200	809 120 83 *2	C-SCN763H3C	36.0	-	122.9	-
R410A	4	3.0	40.0	3	50/60	200	809 943 83	C-SBN303H3D	9.9	12.2	33.8	41.7
			40.0	3	50/60	200	809 944 83 *1	C-SBN303H3E	9.9	12.2	33.8	41.7
	5	3.75	55.6	3	50/60	200	809 953 83	C-SBN373H3D	14.2	17.1	48.5	58.4
			55.6	3	50/60	200	809 954 83 *1	C-SBN373H3E	14.2	17.1	48.5	58.4
	6	4.5	66.7	3	50/60	200	809 963 83	C-SBN453H3D	16.7	20.3	57.0	69.3

\*1 The connection port of oil balance tube is attached to this model.

\*2 The connection port of oil level sensor is attached to this model.

#### RATING CONDITION

	R22/R410A	R407C
Condensing Temperature	54.4	54.4
Evaporating Temperature	7.2	7.2
Liquid Temperature	46.1	43.8
Return Gas Temperature	18.3	18.3

\* Condensing/Evaporating Temperature of R407C are Mid point temperature.

01,Jan,2003

## Model Nomenclatures

### Compressor Code

8	0	9	A	B	C	D	E	
Voltage Designator		3 : 50Hz 200V / 60Hz 200, 220V						
		5 : 50Hz 220, 230, 240V						
		6 : 60Hz 208, 230V						
		8 : 50Hz 380, 415V / 60Hz 440V						
		9 : Special Voltage						
Motor phase, Application		4 : 1 Phase, High Back Pressure						
		8 : 3 Phase, High Back Pressure						
Design Serial No.		0 ~ 9						
Rated Output (HP)		4 : 4HP, 4.5HP			8 : 8HP			
		5 : 5HP			0 : 10HP			
		6 : 6HP			2 : 12HP			
Compressor Series		8 : C-SB Series (HCFC 22)						
		9 : C-SB Series (HFC)						
		2 : C-SC Series (HCFC 22)						
		1 : C-SC Series (HFC)						
Compressor Type		809 : Scroll Type						

### Compressor Model

C-X X	A A B	C D E	
Design Serial No.		A ~	
Voltage Designator		3 : 50Hz 200V / 60Hz 200, 220V	
		5 : 50Hz 220, 230, 240V	
		6 : 60Hz 208, 230V	
		8 : 50Hz 380, 415V / 60Hz 440V	
		9 : Special Voltage	
Application		H : High Back Pressure	
Motor Phase		1 : 1 Phase	
		3 : 3 Phase	
Rated Output		AAx100 W	
Compressor Type		C-SB : C-SB Scroll Series	
		C-SC : C-SC Scroll Series	



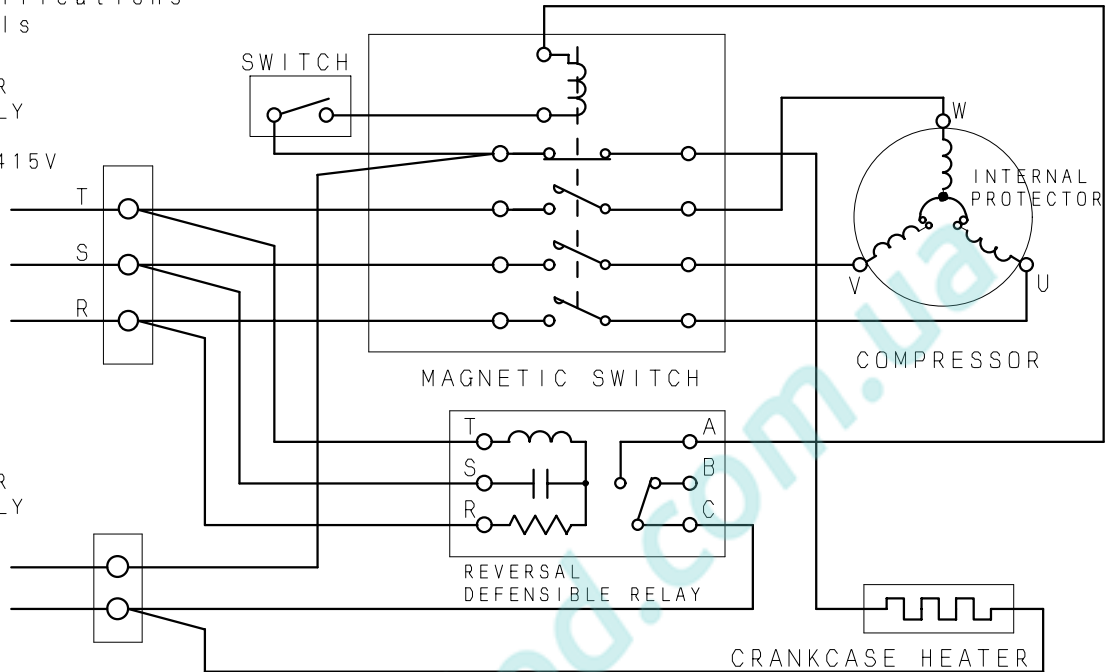
# WIRING & MOUNTING SKETCH

## WIRING DIAGRAM

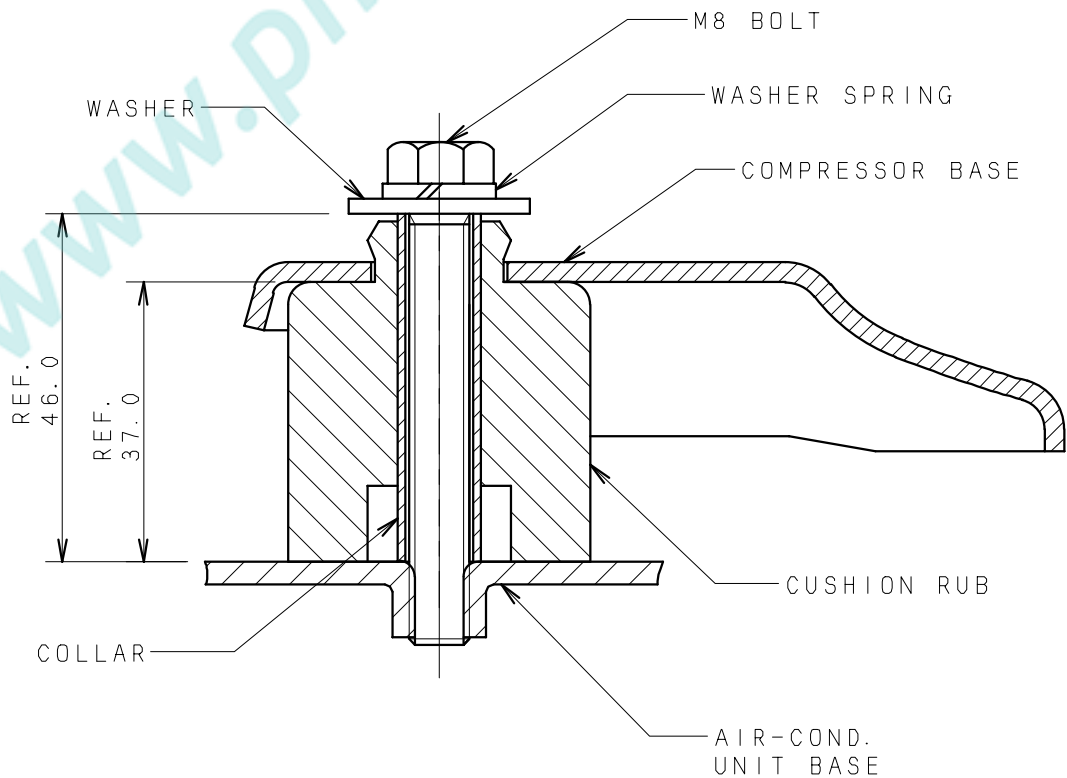
C-SB Series 3 phase  
 2.6-4.5kW  
 European & Chinese  
 power supply  
 specifications  
 models

POWER  
 SUPPLY  
 50Hz  
 380-415V

POWER  
 SUPPLY  
 50Hz  
 220V



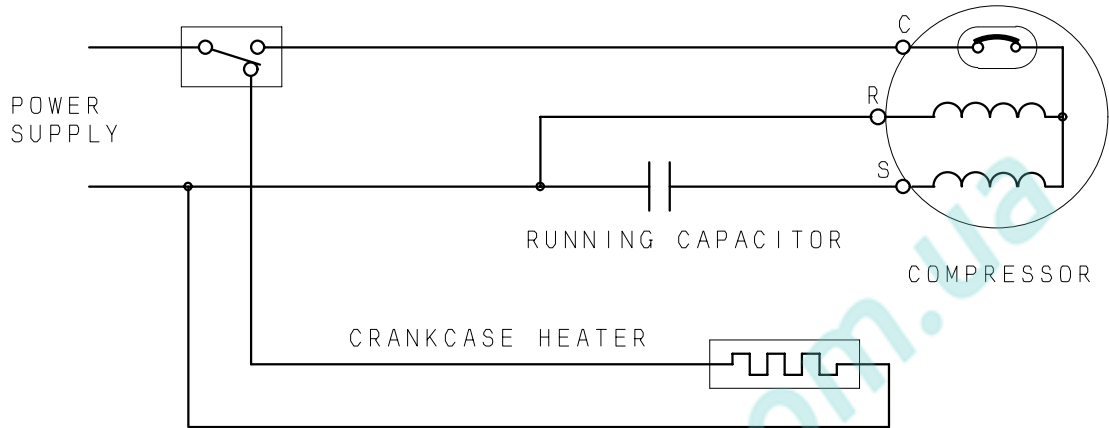
## MOUNTING SKETCH



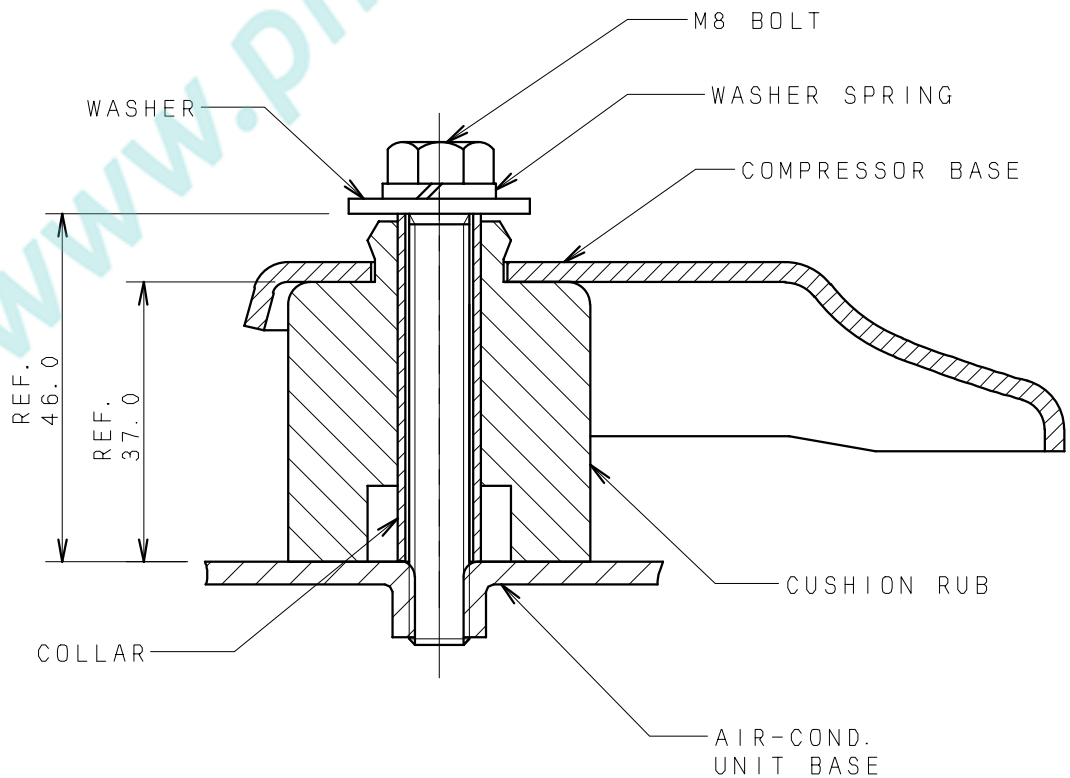
# WIRING & MOUNTING SKETCH

## WIRING DIAGRAM

C-SB Series 1 phase



## MOUNTING SKETCH

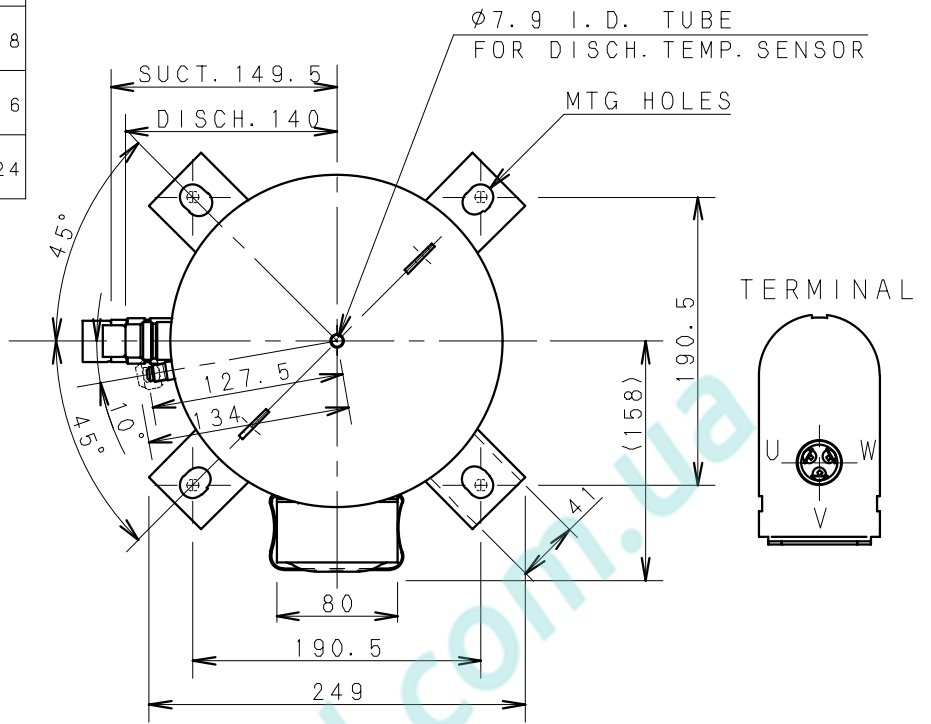




# DIMENSIONAL SKETCH

COMPRESSOR CODE	A	B	C	D
80928*88 80918*88	538	284	486	8
80920*88 80910*88	553	299	501	16
80922*88 80912*88	553	299	501	24

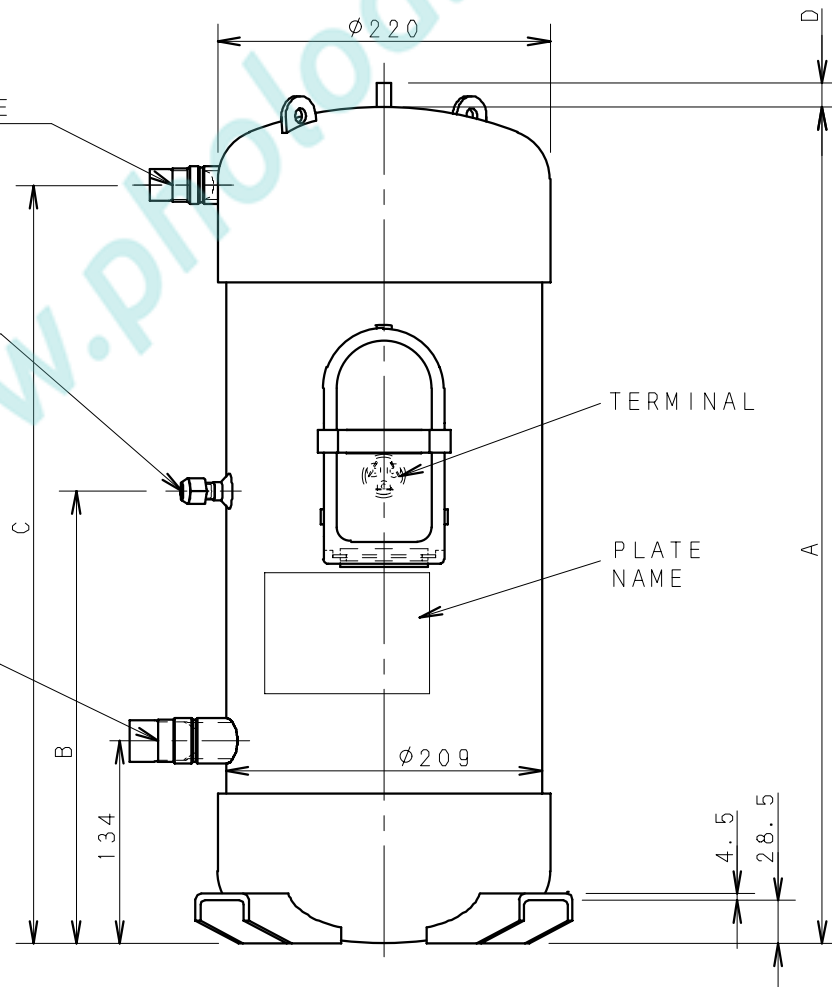
C-SC Series  
6.0-7.5kW  
European & Chinese  
power supply  
specifications  
models



DISCHARGE  
ACCEPT  
Ø19.05 O. D. TUBE

CONNECTOR  
7/16-20UNF-2A  
(1/4 FLARE  
CONNECT)

SUCTION  
ACCEPT  
Ø25.4 O. D. TUBE



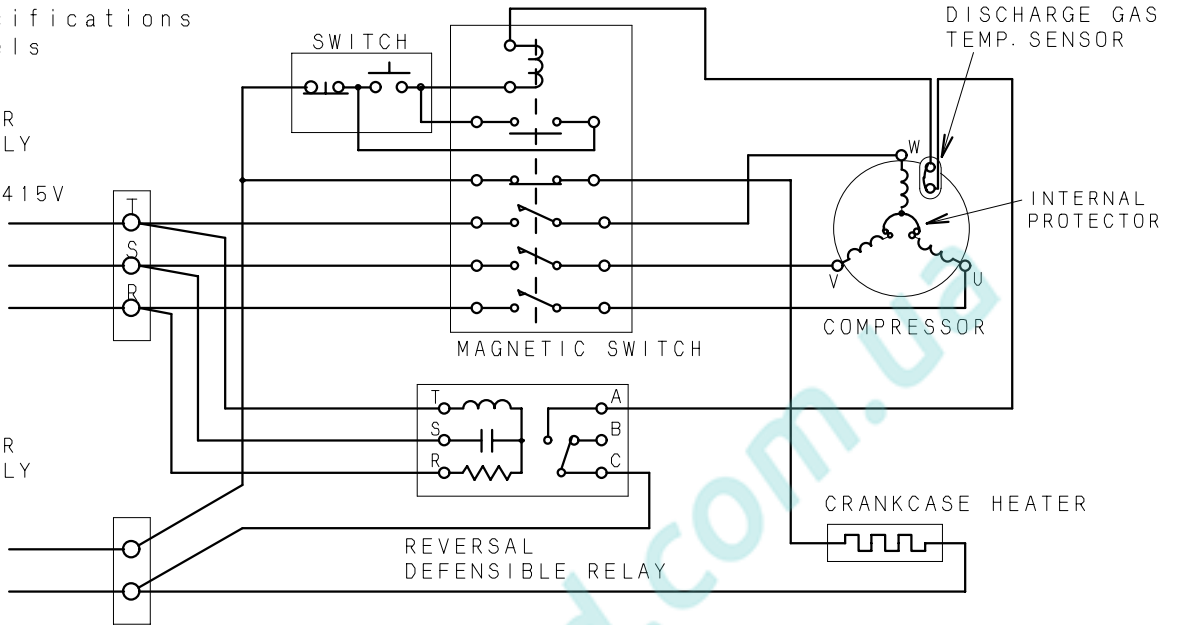
# WIRING & MOUNTING SKETCH

## WIRING DIAGRAM

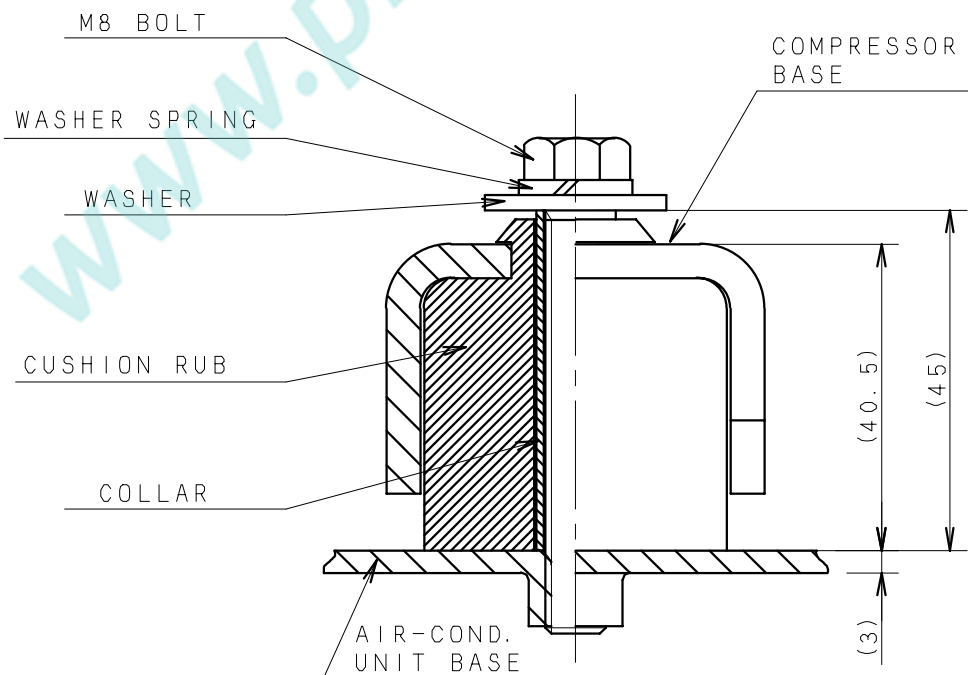
C-SC Series  
6.0-7.5kW  
European & Chinese  
power supply  
specifications  
models

POWER  
SUPPLY  
50Hz  
380-415V

POWER  
SUPPLY  
50Hz  
220V

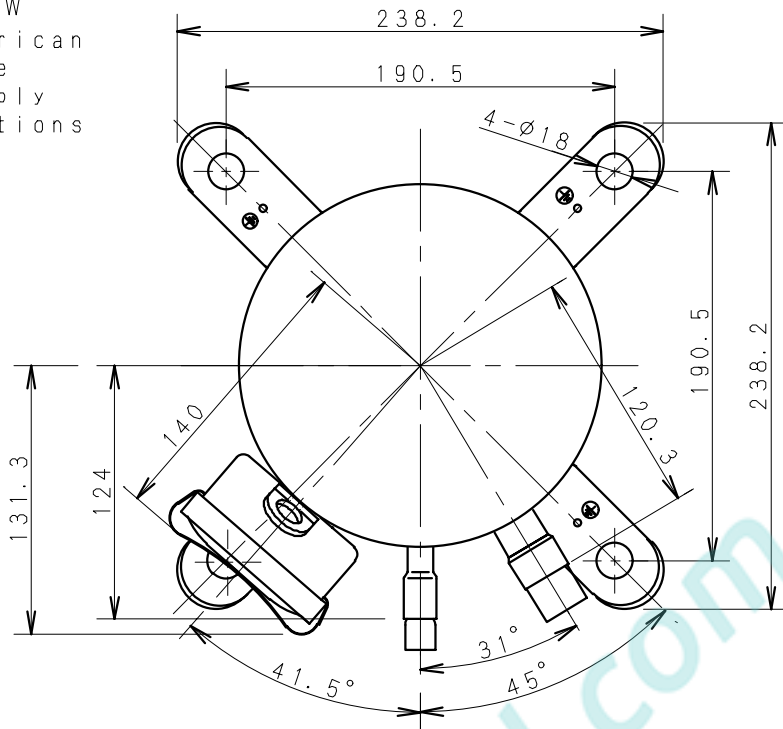


## MOUNTING SKETCH

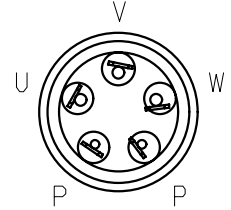


# DIMENSIONAL SKETCH

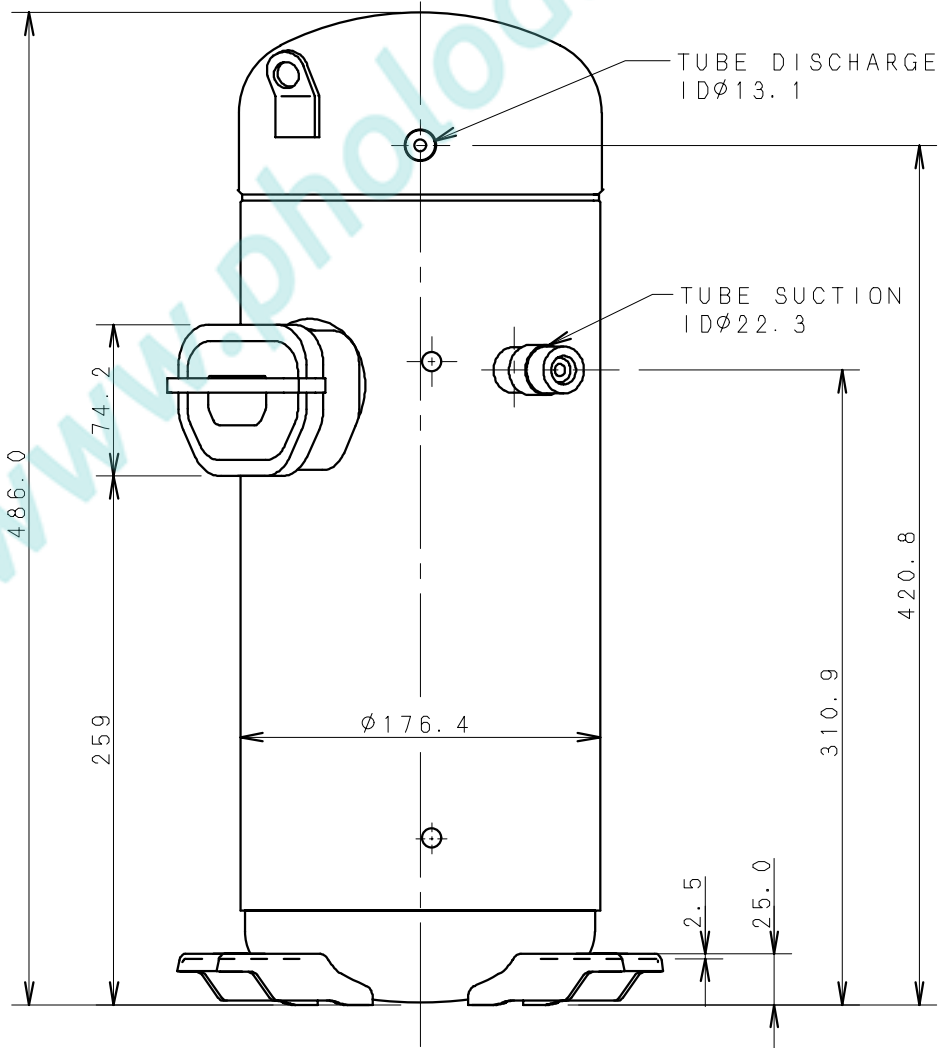
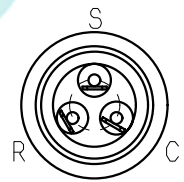
C-SB Series  
 2.6-4.5kW  
 North American  
 & Japanese  
 power supply  
 specifications  
 models



TERMINAL  
3 phase



TERMINAL  
1 phase



TUBE DISCHARGE  
IDØ13.1

TUBE SUCTION  
IDØ22.3

420.8

310.9

Ø176.4

259

486.0

74.2

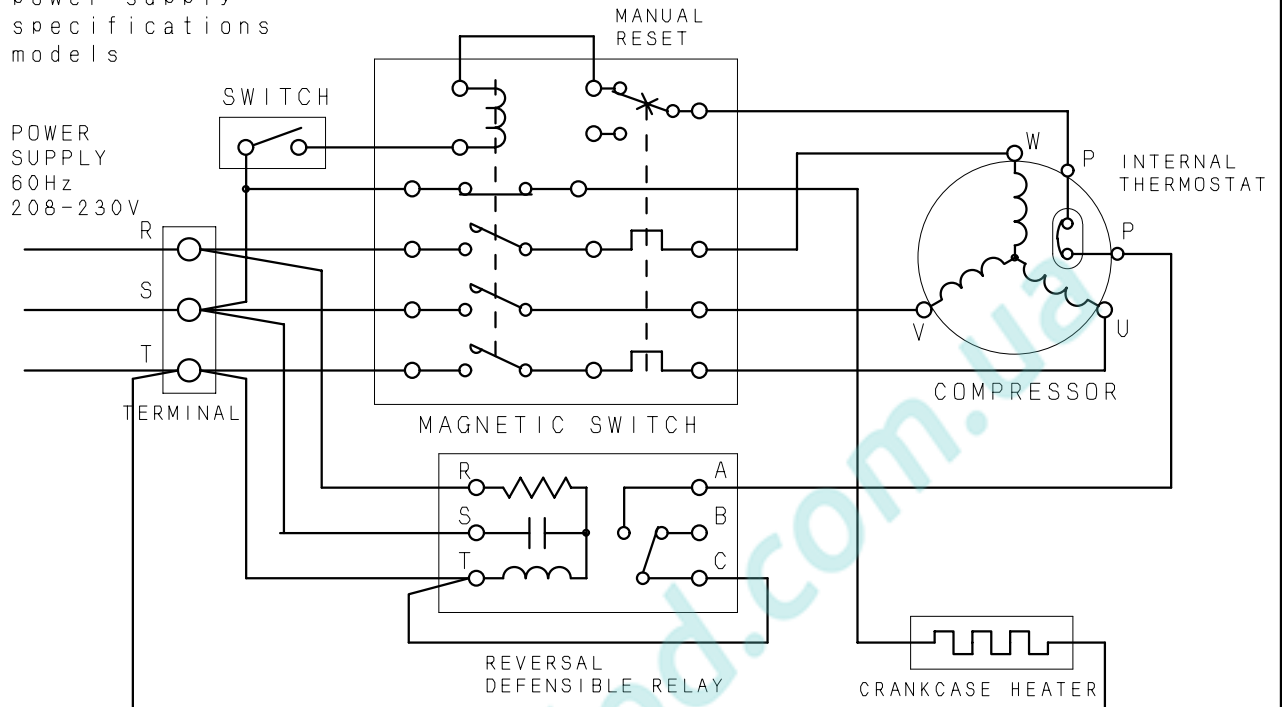
2.5

25.0

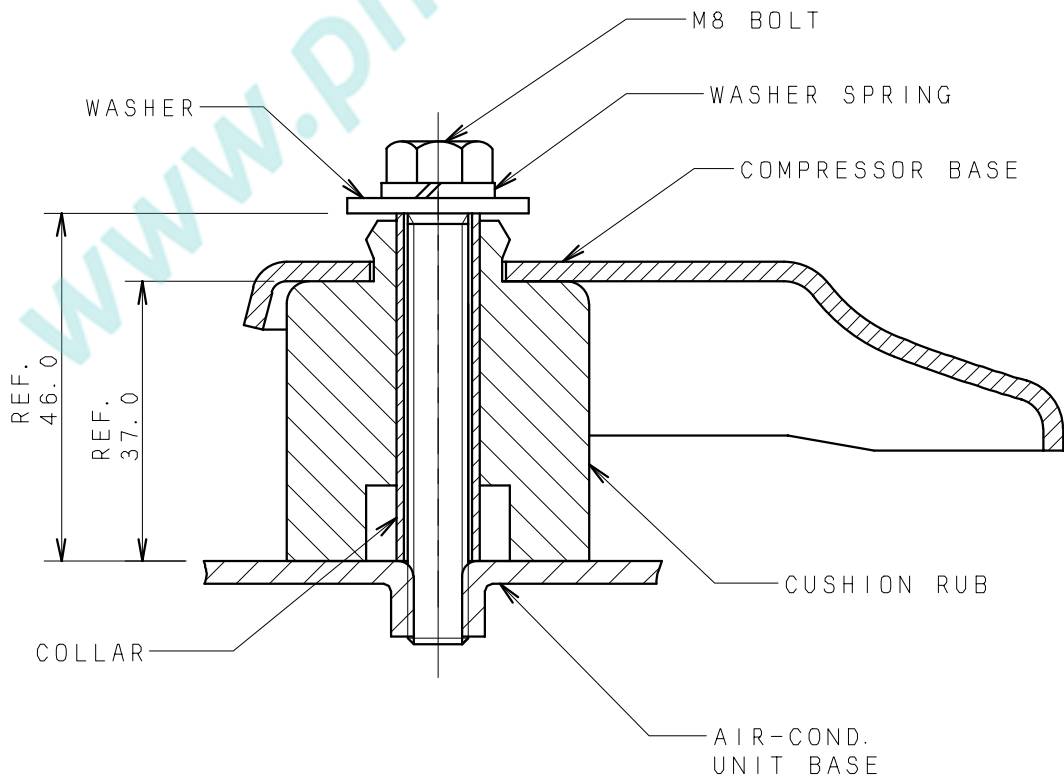
# WIRING & MOUNTING SKETCH

## WIRING DIAGRAM

C-SB Series 3 phase  
2.6-4.5kW  
North American  
power supply  
specifications  
models



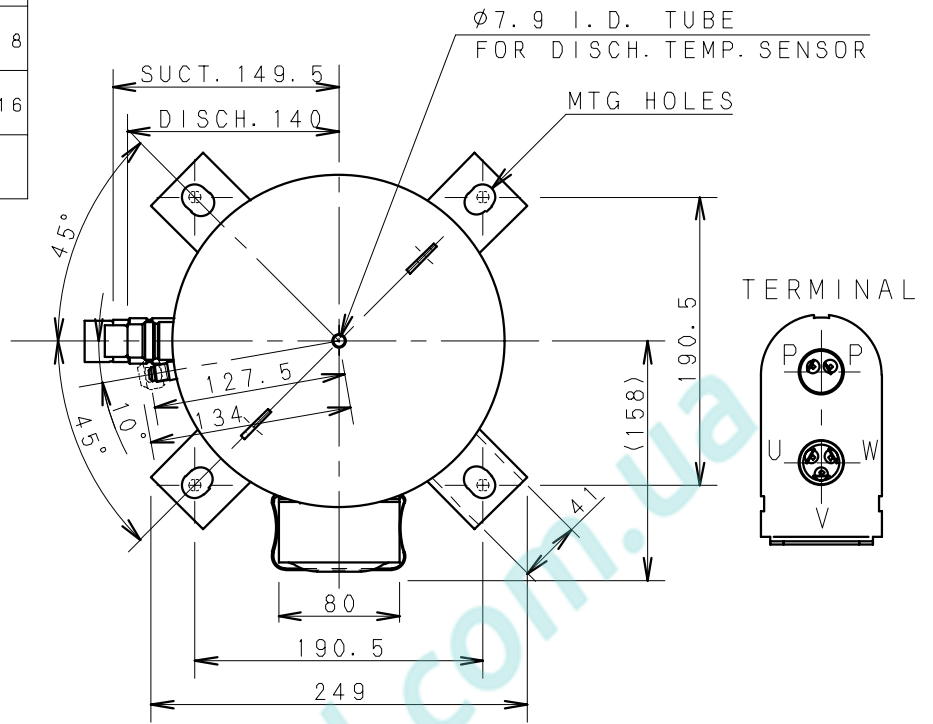
## MOUNTING SKETCH



# DIMENSIONAL SKETCH

COMPRESSOR CODE	A	B	C	D
80928*8* 80918*8*	538	284	486	8
80920*8* 80910*8*	553	299	501	16

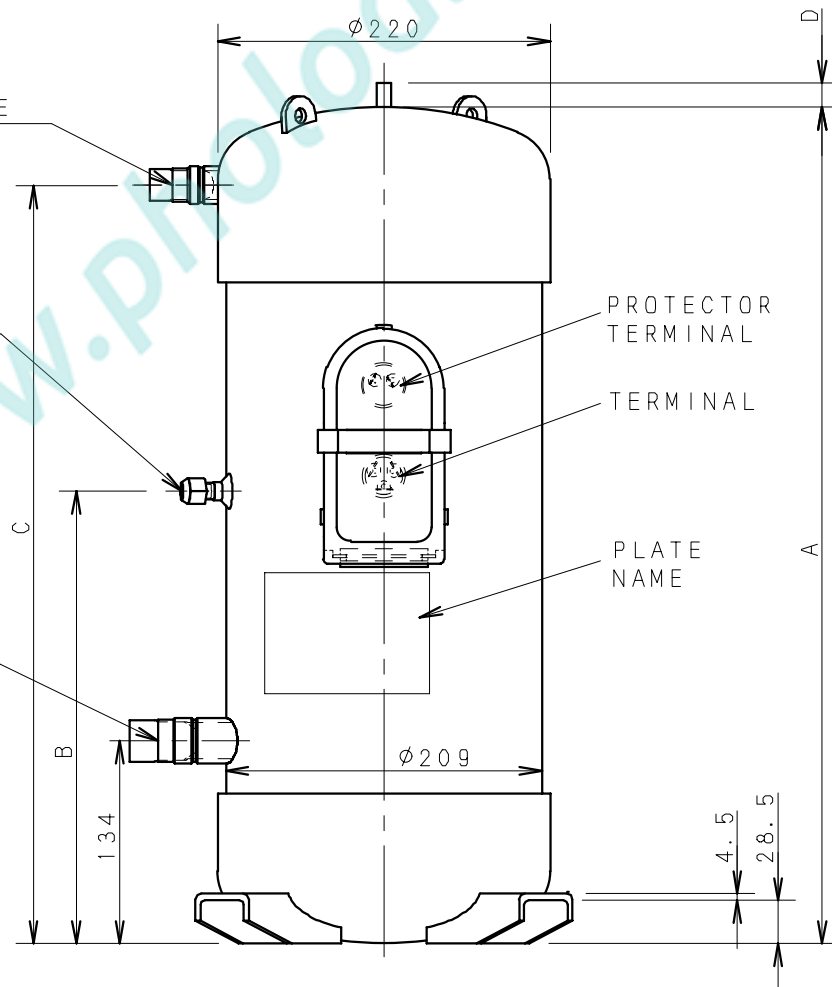
C-SC Series  
6.0-7.5kW  
North American  
power supply  
specifications  
models



DISCHARGE  
ACCEPT  
 $\phi 19.05$  O. D. TUBE

CONNECTOR  
7/16-20UNF-2A  
(1/4 FLARE  
CONNECT)

SUCTION  
ACCEPT  
 $\phi 25.4$  O. D. TUBE

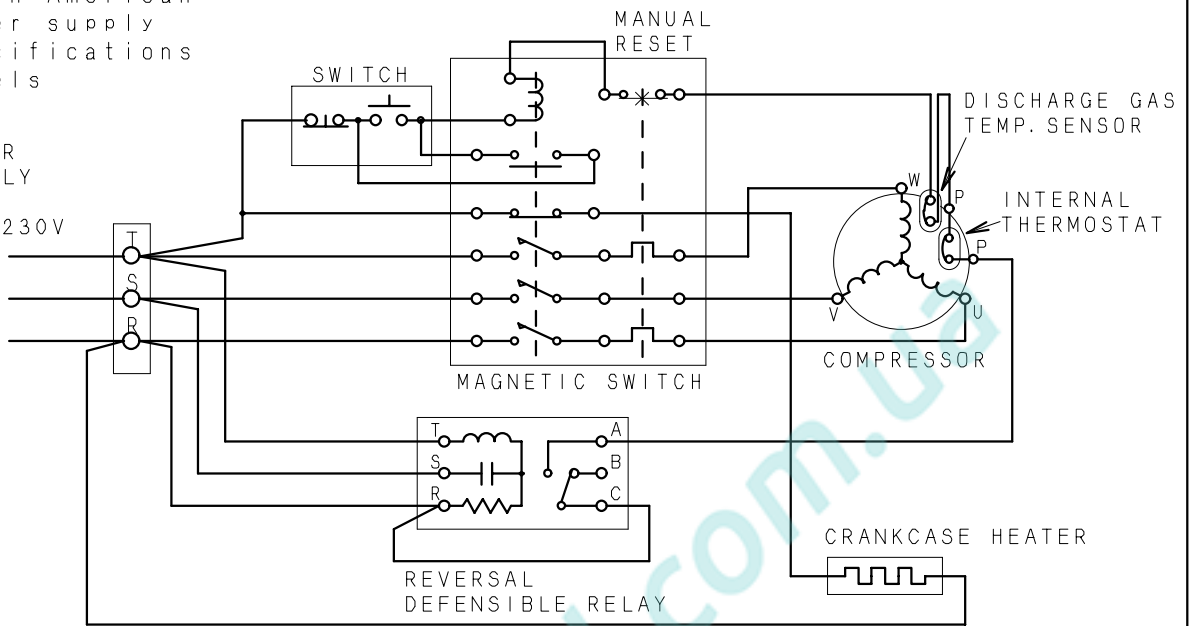


# WIRING & MOUNTING SKETCH

## WIRING DIAGRAM

C-SC Series  
6.0-7.5kW  
North American  
power supply  
specifications  
models

POWER  
SUPPLY  
60Hz  
208-230V



## MOUNTING SKETCH

