

European Catalogue

Optyma™ Packaged condensing units

R452A, R134a, R448A, R449A, R407A, R407F, R404A/R507 - 50 Hz



| | |
|--|-----------|
| Danfoss Optyma™ packaged condensing units | 4 |
| Optyma™ Slim Pack | 6 |
| Optyma™ Slim Pack - Performance data R452A LBP | 7 |
| Optyma™ Slim Pack - Performance data R404A/R507 LBP | 9 |
| Optyma™ Slim Pack - Performance data R134a MBP | 11 |
| Optyma™ Slim Pack - Performance data R448A MBP | 13 |
| Optyma™ Slim Pack - Performance data R449A MBP | 15 |
| Optyma™ Slim Pack - Performance data R452A MBP | 17 |
| Optyma™ Slim Pack - Performance data R407A MBP | 19 |
| Optyma™ Slim Pack - Performance data R407F MBP | 21 |
| Optyma™ Slim Pack - Performance data R404A/R507 MBP | 23 |
| Optyma™ Slim Pack - Technical data | 26 |
| Optyma™ Slim Pack - Spare parts & accessories - LBP | 27 |
| Optyma™ Slim Pack - Spare parts & accessories - MBP | 29 |
| Optyma™ Slim Pack - Spare parts & accessories list | 32 |
| Optyma™ Slim Pack - Dimensions | 35 |
| Optyma™ Plus - Housing spare parts | 36 |
| Optyma™ Slim Pack - Electrical wiring diagrams | 37 |
| Optyma™ Plus | 44 |
| Optyma™ Plus - Performance data R452A LBP | 45 |
| Optyma™ Plus - Performance data R404A/R507 LBP | 46 |
| Optyma™ Plus - Performance data R134a MBP | 47 |
| Optyma™ Plus - Performance data R448A MBP | 49 |
| Optyma™ Plus - Performance data R449A MBP | 50 |
| Optyma™ Plus - Performance data R452A MBP* | 53 |
| Optyma™ Plus - Performance data R407A MBP | 55 |
| Optyma™ Plus - Performance data R407F MBP | 56 |
| Optyma™ Plus - Performance data R404A/R507 MBP | 57 |
| Optyma™ Plus - Technical data | 60 |
| Optyma™ Plus - Spare parts & accessories - LBP | 61 |
| Optyma™ Plus - Spare parts & accessories - MBP | 63 |
| Optyma™ Plus - Spare parts & accessories list | 66 |
| Optyma™ Plus - Dimensions | 69 |
| Optyma™ Plus - Housing spare parts | 71 |
| Optyma™ Plus - Electrical wiring diagrams | 72 |
| Optyma™ Plus INVERTER | 75 |
| Optyma™ Plus INVERTER - Performance data R448A/R449A MBP | 76 |
| Optyma™ Plus INVERTER - Performance data R407A MBP | 77 |
| Optyma™ Plus INVERTER - Performance data R407F MBP | 78 |
| Optyma™ Plus INVERTER - Performance data R404A MBP | 79 |
| Optyma™ Plus INVERTER - Technical data | 80 |
| Optyma™ Plus INVERTER - Spare parts & accessories - MBP | 80 |
| Optyma™ Plus INVERTER - Spare parts & accessories list | 81 |
| Optyma™ Plus INVERTER - Housing spare parts | 82 |
| Optyma™ Plus INVERTER - Dimensions | 82 |
| Optyma™ Plus INVERTER - Electrical wiring diagrams | 83 |

Danfoss Optyma™ packaged condensing units

Highly efficient and reliable plug and play condensing units designed with the contractor and end-user in mind, and providing unique benefits.



Benefits for the contractor

- Simple and fast selection and installation, reduced maintenance time
- Models compatible with multiple lower GWP refrigerants
- Reduced refrigerant costs thanks to microchannel condenser inside



Benefits for the end-user

- Higher food safety and longer products shelf life
- Units suitable for residential areas thanks to low sound level operation
- Reduced life cycle costs of refrigeration equipment thanks to highly efficient units

Optyma™ Slim Pack W05



Compact and cost effective. When space, quiet operation, efficiency and simple installation matter.

With microchannel condenser



Optyma™ Slim Pack W09



Compact and cost effective. When space, quieter operation, efficiency, faster and safer installation and maintenance matter.

W05 base + fan speed controller and main switch included



Optyma™ Plus



Top performer. When quietness, high efficiency, connectivity and fastest installation and maintenance matter.

With electronic controller



Optyma™ Plus INVERTER



Premium unit. When top efficiency, fastest installation and maintenance, tight temperature and humidity control matter.

With variable speed drive



MBP and LBP applications



- ✓ Cold rooms, display cabinets in convenience stores, mini-markets, restaurants, fisheries, butcheries, bakeries, florists, laboratories
- ✓ Wine cellars
- ✓ Milk cooling
- ✓ Industrial processes
- ✓ Dairy and general food storage

Designation

OP - MSXM034 ML W05 G

1 2 3 4 5 6 7 8

OP = Optyma

| | |
|----------|---|
| 1 | Application: M = MBP ; L = LBP |
| 2 | Condensing unit family: S = Slim Pack / P = OP Plus and OP Plus INVERTER |
| 3 | Refrigerant: H = R404A/R507 ; G = R134a ; Q = R452A, R404A/R507 X = R404A/R507, R134a, R407A, R407F, R448A, R449A Y = R404A/R507, R449A; P = R448A/R449A, R407A/F, R404A/R507 |
| 4 | M = Microchannel heat condenser |
| 5 | Displacement in cm ³ Example 034 = 34 cm ³ |
| 6 | Compressor platform (such as VVL = variable speed scroll VLZ) |
| 7 | Version: W05/W09 : Optyma™ Slim Pack P00 : Optyma™ Plus P01 : Optyma™ Plus INVERTER |
| 8 | Electrical code: G = 230V/1-phase compressor & fan E = 400V/3-phase compressor & 230V/1-phase fan |

Feature overview:

| | Optyma™ Slim Pack | | Optyma™ Plus | Optyma™ Plus INVERTER |
|---|---|-----|---|-----------------------|
| | W05 | W09 | | |
| IP level | IP54 | | IP54 | IP54 |
| Compressor technology | Scroll/Reciprocating | | Scroll/Reciprocating | Variable speed scroll |
| Control box (pre-wired E-panel) | yes | | yes | yes |
| Microchannel condenser | yes | | yes | yes |
| Fan speed controller | - | yes | yes | yes |
| Main switch (circuit breaker) | - | yes | yes | yes |
| Filter drier (flare connections) | yes | | yes | yes |
| Sight glass | yes | | yes | yes |
| Crankcase heater | yes | | yes | yes |
| HP/LP adjustable pressostat | Mechanical | | Electronic | Electronic |
| Fail safe mini-pressostat | - | | Mechanical | Mechanical |
| Access door(s) | - | | yes | yes |
| Acoustic insulation | - | | yes | yes |
| Condensing unit electronic controller | - | | yes | yes |
| Network connectivity | - | | yes | yes |
| Stack mounting | - | | yes | - |
| Oil separator | - | | - | yes |
| Net weight in kg | B1 housing: from 50.4 to 53 B2 housing: from 61.5 to 77 B3 housing: from 76 to 79 | | H1 housing: from 49 to 53 H2 housing: from 80 to 94 H3 housing: from 101 to 107 H4 housing: 169 | 124 & 125 |
| Dimensions in mm (height x width x depth) | B1 housing: 530 x 910 x 364 B2 housing: 690 x 1087 x 464 B3 housing: 825 x 1105 x 464 | | H1 housing: 652 x 906 x 356 H2 housing: 813 x 1055 x 430 H3 housing: 967 x 1406 x 481 H4 housing: 966 x 1800 x 600 | 965 x 1406 x 481 |

Overview by range and refrigerant:

| Min / Max Cooling capacity range [kW] | Optyma™ Slim Pack | Optyma™ Plus | Optyma™ Plus INVERTER |
|---------------------------------------|-------------------|--------------|-----------------------|
| Medium temperature (MBP) | | | |
| R449A | 0.8 - 10.2 | 0.7 - 14.9 | 1.7 - 8.3 |
| R448A | 3.3 - 10.2 | 3.3 - 14.9 | 1.7 - 8.3 |
| R134a | 0.6 - 6.6 | 1.7 - 10.2 | - |
| R407A | 3.3 - 9.9 | 3.3 - 14.6 | 1.7 - 8.4 |
| R407F | 3.5 - 10.2 | 3.5 - 15.5 | 1.8 - 9 |
| R452A (preliminary data) | 1.5 - 10.8 | 1.5 - 16.2 | - |
| R404A/507 | 0.9 - 10.3 | 0.7 - 16 | 1.8 - 9 |
| Low temperature (LBP) | | | |
| R452A | 0.4 - 3.3 | 0.4 - 6.1 | - |
| R404A/507 | 0.4 - 3.6 | 0.5 - 6.2 | - |

Rating conditions EN 13215 (dew point):

MBP: Ambient temp = 32°C, Evap temp = -10°C, Superheat = 10K, Subcooling = 0K / **LBP:** Ambient temp = 32°C, Evap temp = -35°C, Superheat = 10K, Subcooling = 0K

Optyma™ Slim Pack

Light on refrigerant, heavy on efficiency

2.9 kg
Less refrigerant on bigger sizes for more savings

Get it all with Optyma™ Slim Pack. It combines quiet operation and more value for money with an energy-efficient and compact solution.



Quick and safe installation and service

Enjoy fast and easy installation with the main switch, service valves, and quick connections. Additionally, the easy-to-clean MCHE saves you time and effort on servicing.



High SEPR*

All models in the range are highly efficient and well above EcoDesign 2018 thresholds, contributing to a reduction in energy costs.
*SEPR: Seasonal Energy Performance Ratio.



Suitable for residential areas

It operates up to 7 dB(A) lower than other packaged units of the same capacity and the fan-speed controller further reduces the sound level by up to 4 dB(A).



Optimized footprint for floor and wall mounting

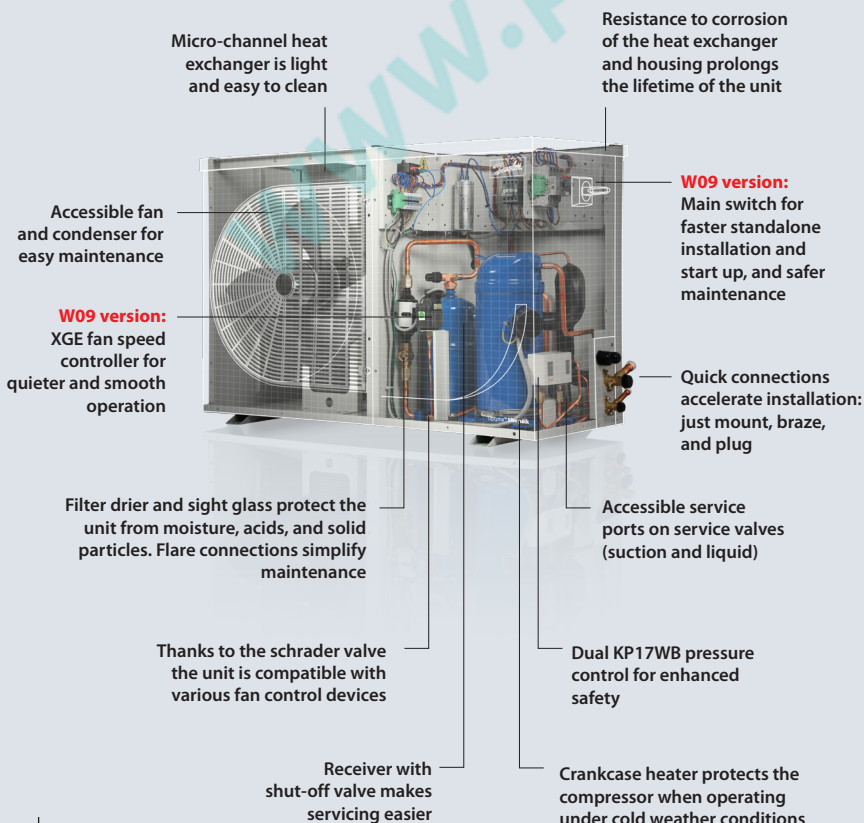
Thanks to its slim design and low weight, it is easy to transport and handle during installation – particularly for wall mounting.

W09 FEATURES

- Preset fan-speed controller for quieter operation
- Main switch for faster stand-alone installation and start-up, and safer maintenance



Standard range (W05) and upgraded range (W09)



High SEPR/COP cuts energy costs

E.g. in a cold room where fruit & vegetables are stored and with 2.7 kW of cooling capacity.

Optyma™ Slim Pack MBP unit vs equivalent unit in the market*

Cooling cap.: 2.7 kW
Refrigerant: R134a



| UNIT | Danfoss | Market |
|-------|-------------|--------------|
| COP | 2.18 | 1.70 |
| USAGE | ~ 8 245 kWh | ~ 10 636 kWh |

Annual energy consumption saved: 2 391 kWh

Savings based on cost of energy:

FRANCE: 0.11€ / 1 KWH = 2 391 x 0.11 = 263€
UK: 0.15€ / 1 KWH = 2 391 x 0.15 = 359€
GERMANY: 0.20€ / 1 KWH = 2 391 x 0.20 = 478€

478€ annual electricity savings made by your customer in Germany

* Source: Danfoss

| Model | Code | Version | Compressor | Electrical code (1) | Tamb [°C] | Cooling capacity Q [kW] (2) | | | | | | EcoDesign (3) | | | | Sound power level dB(A) | Sound pressure level 10 m dB(A) | |
|--------------|----------------------|------------|------------|---------------------|-----------|-----------------------------|-------|-------|-------|-------|-------|---------------|--------|-------|------|-------------------------|---------------------------------|-------|
| | | | | | | Te [°C] | | | | | | Q [kW] | P [kW] | COP | SEPR | | | |
| | | | | | | -40°C | -35°C | -30°C | -25°C | -20°C | -15°C | | | | | | | -10°C |
| OP-LSQM014MP | 114X7106 114X7129 | W05 W09 | MPT14LA | G | 27 | 0.421 | 0.535 | 0.656 | 0.784 | 0.919 | 1.060 | | | | | | | |
| | | | | | 32 | 0.379 | 0.481 | 0.592 | 0.710 | 0.835 | 0.966 | 0.422 | 0.441 | 0.96 | | 63 | 32 | |
| | | | | | 38 | 0.328 | 0.418 | 0.515 | 0.621 | 0.734 | 0.854 | | | | | | | |
| | | | | | 43 | 0.285 | 0.365 | 0.452 | 0.548 | 0.651 | 0.761 | | | | | | | |
| OP-LSQM018MP | 114X7107 114X7130 | W05 W09 | MPT16LA | G | 27 | 0.443 | 0.583 | 0.735 | 0.897 | 1.070 | 1.253 | | | | | | | |
| | | | | | 32 | 0.396 | 0.522 | 0.661 | 0.810 | 0.971 | 1.142 | 0.441 | 0.465 | 0.95 | | 63 | 32 | |
| | | | | | 38 | 0.340 | 0.450 | 0.572 | 0.707 | 0.853 | 1.009 | | | | | | | |
| | | | | | 43 | 0.293 | 0.390 | 0.499 | 0.621 | 0.754 | 0.899 | | | | | | | |
| OP-LSQM026AJ | 114X7085 114X7179 | W05 W09 | CAJ2446Z | G | 27 | 0.472 | 0.659 | 0.881 | 1.144 | 1.447 | 1.794 | 2.184 | | | | | | |
| | | | | | 32 | 0.408 | 0.581 | 0.788 | 1.031 | 1.312 | 1.634 | 1.997 | 0.644 | 0.671 | 0.96 | | 67 | 36 |
| | | | | | 38 | 0.489 | 0.675 | 0.894 | 1.148 | 1.439 | 1.769 | | | | | | | |
| | | | | | 43 | 0.414 | 0.582 | 0.780 | 1.010 | 1.275 | 1.577 | | | | | | | |
| OP-LSQM034AJ | 114X7086 114X7180 | W05 W09 | CAJ2464Z | G | 27 | 0.628 | 0.859 | 1.139 | 1.473 | 1.864 | 2.316 | 2.830 | | | | | | |
| | | | | | 32 | 0.549 | 0.763 | 1.022 | 1.332 | 1.695 | 2.115 | 2.594 | 0.846 | 0.892 | 0.95 | | 68 | 37 |
| | | | | | 38 | 0.649 | 0.882 | 1.161 | 1.489 | 1.870 | 2.307 | | | | | | | |
| | | | | | 43 | 0.556 | 0.767 | 1.019 | 1.318 | 1.666 | 2.067 | | | | | | | |
| OP-LSQM048NT | 114X7087 114X7181 | W05 W09 | NTZ048-5 | G | 27 | 0.771 | 1.090 | 1.478 | 1.931 | 2.446 | 3.018 | 3.641 | | | | | | |
| | | | | | 32 | 0.655 | 0.948 | 1.303 | 1.718 | 2.191 | 2.717 | 3.291 | 1.053 | 0.950 | 1.11 | | 71 | 40 |
| | | | | | 38 | 0.529 | 0.790 | 1.105 | 1.475 | 1.896 | 2.366 | 2.880 | | | | | | |
| | | | | | 43 | 0.433 | 0.667 | 0.950 | 1.281 | 1.660 | 2.082 | 2.545 | | | | | | |
| OP-LSQM048NT | 114X7088 114X7182 | W05 W09 | NTZ048-4 | E | 27 | 0.778 | 1.076 | 1.438 | 1.860 | 2.340 | 2.873 | 3.454 | | | | | | |
| | | | | | 32 | 0.679 | 0.947 | 1.273 | 1.655 | 2.092 | 2.579 | 3.112 | 1.054 | 0.981 | 1.07 | | 71 | 40 |
| | | | | | 38 | 0.572 | 0.805 | 1.089 | 1.424 | 1.809 | 2.241 | 2.716 | | | | | | |
| | | | | | 43 | 0.491 | 0.695 | 0.945 | 1.242 | 1.584 | 1.969 | 2.396 | | | | | | |
| OP-LSQM074FH | 114X7095 114X7185 | W05 W09 | FH2511Z | G | 27 | 1.062 | 1.511 | 2.037 | 2.641 | 3.324 | 4.085 | 4.919 | | | | | | |
| | | | | | 32 | 0.889 | 1.310 | 1.801 | 2.365 | 3.003 | 3.713 | 4.492 | 1.458 | 1.539 | 0.95 | | 75 | 44 |
| | | | | | 38 | 1.070 | 1.518 | 2.033 | 2.614 | 3.262 | 3.975 | | | | | | | |
| | | | | | 43 | 0.874 | 1.286 | 1.757 | 2.290 | 2.886 | 3.542 | | | | | | | |

LBP

(1) G - Compressor 230V/1~/50Hz, fan 230V/1~/50Hz
 E - Compressor 400V/3~/50Hz, fan 230V/1~/50Hz

(2) Nominal conditions (EN13215), Evaporating temperatures at dew point, Superheat 10K, Subcooling 0K

(3) Rated conditions (EN13215), Evaporating temperature (dew point) -35°C, Ambient air temperature +32°C, Return Gas Temperature 20°C, Subcooling 0K

SEPR, Seasonal Energy Performance Ratio

Q [kW], Cooling Capacity

P [kW], Power Input

This table continues on the next page



For regular updates and detailed capacities, please refer to Coolselector®2 software



| Model | Code | Version | Compressor | Electrical code (1) | Tamb [°C] | Cooling capacity Q [kW] (2) | | | | | | | EcoDesign (3) | | | | Sound power level dB(A) | Sound pressure level 10 m dB(A) |
|--------------|----------------------|------------|------------|---------------------|-----------|-----------------------------|-------|-------|-------|-------|-------|-------|---------------|--------|------|------|-------------------------|---------------------------------|
| | | | | | | Te [°C] | | | | | | | Q [kW] | P [kW] | COP | SEPR | | |
| | | | | | | -40°C | -35°C | -30°C | -25°C | -20°C | -15°C | -10°C | | | | | | |
| OP-LSQM074FH | 114X7096 114X7186 | W05 W09 | TFH2511Z | E | 27 | 1.001 | 1.415 | 1.897 | 2.442 | 3.044 | 3.695 | 4.384 | 1.362 | 1.390 | 0.98 | | 75 | 44 |
| | | | | | 32 | 0.841 | 1.221 | 1.664 | 2.166 | 2.722 | 3.324 | 3.964 | | | | | | |
| | | | | | 38 | | 1.003 | 1.398 | 1.848 | 2.347 | 2.890 | 3.467 | | | | | | |
| | | | | | 43 | | 0.835 | 1.190 | 1.595 | 2.045 | 2.536 | 3.059 | | | | | | |
| OP-LSQM068NT | 114X7090 114X7184 | W05 W09 | NTZ068-4 | E | 27 | 1.215 | 1.655 | 2.158 | 2.712 | 3.299 | 3.898 | 4.484 | 1.632 | 1.404 | 1.16 | | 71 | 40 |
| | | | | | 32 | 1.056 | 1.459 | 1.918 | 2.421 | 2.952 | 3.491 | 4.014 | | | | | | |
| | | | | | 38 | 0.864 | 1.223 | 1.629 | 2.070 | 2.534 | 3.000 | 3.446 | | | | | | |
| | | | | | 43 | 0.708 | 1.028 | 1.388 | 1.778 | 2.184 | 2.588 | 2.969 | | | | | | |
| OP-LSQM068NT | 114X7089 114X7183 | W05 W09 | NTZ068-5 | G | 27 | 1.241 | 1.667 | 2.151 | 2.688 | 3.273 | 3.897 | 4.550 | 1.619 | 1.627 | 1.00 | | 71 | 40 |
| | | | | | 32 | 1.052 | 1.447 | 1.895 | 2.392 | 2.932 | 3.508 | 4.110 | | | | | | |
| | | | | | 38 | 0.833 | 1.192 | 1.597 | 2.045 | 2.530 | 3.047 | 3.586 | | | | | | |
| | | | | | 43 | 0.659 | 0.987 | 1.355 | 1.762 | 2.201 | 2.668 | 3.153 | | | | | | |
| OP-LSQM067LL | 114X7091 114X7187 | W05 W09 | LLZ013T4 | E | 27 | 1.925 | 2.483 | 3.161 | 3.970 | 4.918 | 6.013 | 7.257 | 2.570 | 2.177 | 1.18 | 1.67 | 71 | 40 |
| | | | | | 32 | 1.794 | 2.306 | 2.929 | 3.675 | 4.553 | 5.571 | 6.733 | | | | | | |
| | | | | | 38 | 1.642 | 2.096 | 2.651 | 3.318 | 4.108 | 5.030 | 6.089 | | | | | | |
| | | | | | 43 | 1.519 | 1.922 | 2.418 | 3.017 | 3.731 | 4.570 | 5.541 | | | | | | |
| OP-LSQM084LL | 114X7092 114X7188 | W05 W09 | LLZ015T4 | E | 27 | 2.408 | 3.051 | 3.812 | 4.703 | 5.732 | 6.905 | 8.225 | 3.152 | 2.706 | 1.16 | 1.6 | 73 | 42 |
| | | | | | 32 | 2.223 | 2.820 | 3.526 | 4.351 | 5.306 | 6.398 | 7.630 | | | | | | |
| | | | | | 38 | 1.997 | 2.533 | 3.167 | 3.909 | 4.771 | 5.761 | 6.884 | | | | | | |
| | | | | | 43 | 1.803 | 2.286 | 2.856 | 3.526 | 4.306 | 5.206 | 6.234 | | | | | | |
| OP-LSQM098LL | 114X7075 114X7189 | W05 W09 | LLZ018T4 | E | 27 | 2.812 | 3.560 | 4.438 | 5.457 | 6.622 | 7.938 | 9.406 | 3.683 | 3.166 | 1.16 | 1.61 | 74 | 43 |
| | | | | | 32 | 2.592 | 3.286 | 4.098 | 5.039 | 6.118 | 7.339 | 8.704 | | | | | | |
| | | | | | 38 | 2.318 | 2.943 | 3.671 | 4.516 | 5.486 | 6.588 | 7.824 | | | | | | |
| | | | | | 43 | 2.084 | 2.647 | 3.302 | 4.062 | 4.937 | 5.935 | 7.061 | | | | | | |

LBP

(1) **G** - Compressor 230V/1~/50Hz, fan 230V/1~/50Hz

E - Compressor 400V/3~/50Hz, fan 230V/1~/50Hz

(2) Nominal conditions (EN13215), Evaporating temperatures at dew point, Superheat 10K, Subcooling 0K

(3) Rated conditions (EN13215), Evaporating temperature (dew point) -35°C, Ambient air temperature +32°C, Return Gas Temperature 20°C, Subcooling 0K

SEPR, Seasonal Energy Performance Ratio

Q [kW], Cooling Capacity

P [kW], Power Input



For regular updates and detailed capacities, please refer to **Coolselector®2** software



| Model | Code | Version | Compressor | Electrical code (1) | Tamb [°C] | Cooling capacity Q [kW] (2) | | | | | | | EcoDesign (3) | | | | Sound power level dB(A) | Sound pressure level 10 m dB(A) | | | |
|--------------|----------------------|------------|------------|---------------------|-----------|-----------------------------|-------|-------|-------|-------|-------|-------|---------------|--------|------|------|-------------------------|---------------------------------|----|--|--|
| | | | | | | Te [°C] | | | | | | | Q [kW] | P [kW] | COP | SEPR | | | | | |
| | | | | | | -40°C | -35°C | -30°C | -25°C | -20°C | -15°C | -10°C | | | | | | | | | |
| OP-LSQM014MP | 114X7106 114X7129 | W05 W09 | MPT14LA | G | 27 | | 0.494 | 0.640 | 0.802 | 0.979 | 1.171 | 1.379 | | | | | | | | | |
| | | | | | 32 | | 0.444 | 0.577 | 0.725 | 0.889 | 1.068 | 1.264 | 0.500 | 0.486 | 1.03 | | | 60 | 29 | | |
| | | | | | 38 | | 0.384 | 0.501 | 0.633 | 0.781 | 0.945 | 1.126 | | | | | | | | | |
| | | | | | 43 | | 0.335 | 0.439 | 0.557 | 0.692 | 0.843 | 1.011 | | | | | | | | | |
| OP-LSQM018MP | 114X7107 114X7130 | W05 W09 | MPT16LA | G | 27 | | 0.535 | 0.710 | 0.903 | 1.115 | 1.345 | 1.594 | | | | | | | | | |
| | | | | | 32 | | 0.480 | 0.638 | 0.816 | 1.013 | 1.228 | 1.463 | 0.540 | 0.504 | 1.07 | | | 60 | 29 | | |
| | | | | | 38 | | 0.413 | 0.553 | 0.712 | 0.890 | 1.088 | 1.305 | | | | | | | | | |
| | | | | | 43 | | 0.359 | 0.483 | 0.626 | 0.789 | 0.971 | 1.173 | | | | | | | | | |
| OP-LSQM026AJ | 114X7085 114X7179 | W05 W09 | CAJ2446Z | G | 27 | 0.526 | 0.732 | 0.978 | 1.268 | 1.606 | 1.993 | 2.432 | | | | | | | | | |
| | | | | | 32 | 0.455 | 0.645 | 0.872 | 1.140 | 1.451 | 1.809 | 2.216 | 0.724 | 0.715 | 1.01 | | | 67 | 36 | | |
| | | | | | 38 | 0.371 | 0.541 | 0.745 | 0.985 | 1.265 | 1.588 | 1.957 | | | | | | | | | |
| | | | | | 43 | 0.457 | 0.641 | 0.857 | 1.111 | 1.404 | 1.739 | | | | | | | | | | |
| OP-LSQM034AJ | 114X7086 114X7180 | W05 W09 | CAJ2464Z | G | 27 | 0.685 | 0.933 | 1.232 | 1.586 | 2.000 | 2.476 | 3.015 | | | | | | | | | |
| | | | | | 32 | 0.599 | 0.826 | 1.101 | 1.428 | 1.809 | 2.249 | 2.749 | 0.930 | 0.953 | 0.98 | | | 68 | 37 | | |
| | | | | | 38 | 0.497 | 0.701 | 0.946 | 1.238 | 1.580 | 1.976 | 2.429 | | | | | | | | | |
| | | | | | 43 | 0.598 | 0.819 | 1.082 | 1.391 | 1.750 | 2.163 | | | | | | | | | | |
| OP-LSQM048NT | 114X7087 114X7181 | W05 W09 | NTZ048-5 | G | 27 | 0.776 | 1.134 | 1.568 | 2.083 | 2.677 | 3.349 | 4.098 | | | | | | | | | |
| | | | | | 32 | 0.651 | 0.981 | 1.381 | 1.853 | 2.398 | 3.017 | 3.706 | 1.104 | 1.097 | 1.01 | | | 71 | 40 | | |
| | | | | | 38 | 0.501 | 0.798 | 1.155 | 1.576 | 2.062 | 2.615 | 3.232 | | | | | | | | | |
| | | | | | 43 | 0.381 | 0.647 | 0.968 | 1.345 | 1.782 | 2.279 | 2.836 | | | | | | | | | |
| OP-LSQM048NT | 114X7088 114X7182 | W05 W09 | NTZ048-4 | E | 27 | 0.783 | 1.143 | 1.572 | 2.072 | 2.645 | 3.290 | 4.007 | | | | | | | | | |
| | | | | | 32 | 0.670 | 1.000 | 1.392 | 1.849 | 2.371 | 2.960 | 3.615 | 1.126 | 0.997 | 1.13 | | | 71 | 40 | | |
| | | | | | 38 | 0.536 | 0.831 | 1.179 | 1.583 | 2.044 | 2.565 | 3.147 | | | | | | | | | |
| | | | | | 43 | 0.427 | 0.692 | 1.003 | 1.363 | 1.775 | 2.240 | 2.760 | | | | | | | | | |

LBP

(1) G - Compressor 230V/1~/50Hz, fan 230V/1~/50Hz
 E - Compressor 400V/3~/50Hz, fan 230V/1~/50Hz

(2) Nominal conditions (EN13215), Evaporating temperatures at dew point, Superheat 10K, Subcooling 0K

(3) Rated conditions (EN13215), Evaporating temperature (dew point) -35°C, Ambient air temperature +32°C, Return Gas Temperature 20°C, Subcooling 0K

SEPR, Seasonal Energy Performance Ratio

Q [kW], Cooling Capacity

P [kW], Power Input

This table continues on the next page



For regular updates and detailed capacities, please refer to **Coolselector®2** software



| Model | Code | Version | Compressor | Electrical code (1) | Tamb [°C] | Cooling capacity Q [kW] (2) | | | | | | | EcoDesign (3) | | | | Sound power level dB(A) | Sound pressure level 10 m dB(A) |
|--------------|----------------------|------------|------------|---------------------|-----------|-----------------------------|-------|-------|-------|-------|-------|--------|---------------|--------|------|------|-------------------------|---------------------------------|
| | | | | | | Te [°C] | | | | | | | Q [kW] | P [kW] | COP | SEPR | | |
| | | | | | | -40°C | -35°C | -30°C | -25°C | -20°C | -15°C | -10°C | | | | | | |
| OP-LSQM074FH | 114X7096 114X7186 | W05 W09 | TFH2511Z | E | 27 | 1.177 | 1.670 | 2.254 | 2.931 | 3.695 | 4.543 | 5.468 | 1.620 | 1.514 | 1.07 | | 75 | 44 |
| | | | | | 32 | 0.985 | 1.434 | 1.969 | 2.588 | 3.291 | 4.074 | 4.931 | | | | | | |
| | | | | | 38 | 0.776 | 1.173 | 1.646 | 2.197 | 2.825 | 3.528 | 4.301 | | | | | | |
| | | | | | 43 | 0.620 | 0.972 | 1.394 | 1.887 | 2.452 | 3.087 | 3.789 | | | | | | |
| OP-LSQM074FH | 114X7095 114X7185 | W05 W09 | FH2511Z | G | 27 | 1.176 | 1.664 | 2.235 | 2.890 | 3.630 | 4.455 | 5.361 | 1.627 | 1.662 | 0.98 | | 75 | 44 |
| | | | | | 32 | 0.983 | 1.439 | 1.971 | 2.580 | 3.268 | 4.034 | 4.877 | | | | | | |
| | | | | | 38 | 0.756 | 1.172 | 1.655 | 2.207 | 2.831 | 3.526 | 4.292 | | | | | | |
| | | | | | 43 | 0.573 | 0.955 | 1.395 | 1.899 | 2.468 | 3.102 | 3.803 | | | | | | |
| OP-LSQM068NT | 114X7089 114X7183 | W05 W09 | NTZ068-5 | G | 27 | 1.332 | 1.793 | 2.348 | 2.994 | 3.730 | 4.548 | 5.440 | 1.826 | 1.730 | 1.06 | | 71 | 40 |
| | | | | | 32 | 1.189 | 1.608 | 2.110 | 2.694 | 3.358 | 4.098 | 4.905 | | | | | | |
| | | | | | 38 | 1.017 | 1.388 | 1.828 | 2.338 | 2.918 | 3.564 | 4.270 | | | | | | |
| | | | | | 43 | 0.873 | 1.205 | 1.594 | 2.044 | 2.554 | 3.123 | 3.745 | | | | | | |
| OP-LSQM068NT | 114X7090 114X7184 | W05 W09 | NTZ068-4 | E | 27 | 1.359 | 1.860 | 2.443 | 3.107 | 3.852 | 4.672 | 5.563 | 1.845 | 1.613 | 1.14 | | 71 | 40 |
| | | | | | 32 | 1.172 | 1.629 | 2.162 | 2.770 | 3.451 | 4.204 | 5.024 | | | | | | |
| | | | | | 38 | 0.967 | 1.374 | 1.846 | 2.386 | 2.991 | 3.662 | 4.394 | | | | | | |
| | | | | | 43 | 0.812 | 1.177 | 1.599 | 2.081 | 2.623 | 3.225 | 3.883 | | | | | | |
| OP-LSQM067LL | 114X7091 114X7187 | W05 W09 | LLZ013T4 | E | 27 | 2.210 | 2.823 | 3.547 | 4.391 | 5.365 | 6.476 | 7.732 | 2.942 | 2.481 | 1.19 | 1.65 | 71 | 40 |
| | | | | | 32 | 2.024 | 2.600 | 3.276 | 4.061 | 4.965 | 5.997 | 7.163 | | | | | | |
| | | | | | 38 | 1.790 | 2.319 | 2.934 | 3.645 | 4.462 | 5.395 | 6.451 | | | | | | |
| | | | | | 43 | 1.586 | 2.073 | 2.634 | 3.280 | 4.022 | 4.870 | 5.832 | | | | | | |
| OP-LSQM084LL | 114X7092 114X7188 | W05 W09 | LLZ015T4 | E | 27 | 2.654 | 3.375 | 4.240 | 5.261 | 6.444 | 7.795 | 9.317 | 3.528 | 2.909 | 1.21 | 1.67 | 73 | 42 |
| | | | | | 32 | 2.440 | 3.110 | 3.909 | 4.848 | 5.936 | 7.178 | 8.580 | | | | | | |
| | | | | | 38 | 2.171 | 2.777 | 3.494 | 4.332 | 5.303 | 6.412 | 7.667 | | | | | | |
| | | | | | 43 | 1.935 | 2.485 | 3.130 | 3.883 | 4.754 | 5.751 | 6.882 | | | | | | |
| OP-LSQM098LL | 114X7075 114X7189 | W05 W09 | LLZ018T4 | E | 27 | 3.089 | 3.920 | 4.914 | 6.079 | 7.421 | 8.944 | 10.647 | 4.103 | 3.299 | 1.24 | 1.72 | 74 | 43 |
| | | | | | 32 | 2.837 | 3.608 | 4.524 | 5.594 | 6.825 | 8.221 | 9.785 | | | | | | |
| | | | | | 38 | 2.519 | 3.216 | 4.035 | 4.987 | 6.082 | 7.324 | 8.719 | | | | | | |
| | | | | | 43 | 2.241 | 2.871 | 3.607 | 4.459 | 5.438 | 6.550 | 7.802 | | | | | | |

LBP

(1) G - Compressor 230V/1~/50Hz, fan 230V/1~/50Hz

E - Compressor 400V/3~/50Hz, fan 230V/1~/50Hz

(2) Nominal conditions (EN13215), Evaporating temperatures at dew point, Superheat 10K, Subcooling 0K

(3) Rated conditions (EN13215), Evaporating temperature (dew point) -35°C, Ambient air temperature +32°C, Return Gas Temperature 20°C, Subcooling 0K

SEPR, Seasonal Energy Performance Ratio

Q [kW], Cooling Capacity

P [kW], Power Input



For regular updates and detailed capacities, please refer to **Coolselector®2** software



| Model | Code | Version | Compressor | Electrical code (1) | Tamb [°C] | Cooling capacity Q [kW] (2) | | | | | | | EcoDesign (3) | | | | Sound power level dB(A) | Sound pressure level 10 m dB(A) | |
|--------------|----------------------|------------|------------|---------------------|-----------|-----------------------------|-------|-------|-------|-------|-------|-------|---------------|--------|------|------|-------------------------|---------------------------------|--|
| | | | | | | Te [°C] | | | | | | | Q [kW] | P [kW] | COP | SEPR | | | |
| | | | | | | -15°C | -10°C | -5°C | 0°C | 5°C | 10°C | 15°C | | | | | | | |
| OP-MSGM012SC | 114X7099 114X7207 | W05 W09 | SC12G | G | 27 | 0.549 | 0.693 | 0.861 | 1.055 | 1.277 | 1.528 | 1.810 | | | | | | | |
| | | | | | 32 | 0.503 | 0.640 | 0.800 | 0.987 | 1.200 | 1.442 | 1.714 | 0.655 | 0.382 | 1.71 | | 62 | 31 | |
| | | | | | 38 | 0.446 | 0.575 | 0.726 | 0.902 | 1.105 | 1.336 | 1.596 | | | | | | | |
| | | | | | 43 | 0.400 | 0.521 | 0.664 | 0.832 | 1.025 | 1.246 | 1.497 | | | | | | | |
| OP-MSGM015SC | 114X7100 114X7208 | W05 W09 | SC15G | G | 27 | 0.591 | 0.756 | 0.951 | 1.177 | 1.435 | 1.725 | 2.047 | | | | | | | |
| | | | | | 32 | 0.562 | 0.719 | 0.903 | 1.115 | 1.357 | 1.628 | 1.930 | 0.737 | 0.448 | 1.64 | | 63 | 32 | |
| | | | | | 38 | 0.517 | 0.666 | 0.838 | 1.034 | 1.256 | 1.506 | 1.782 | | | | | | | |
| | | | | | 43 | 0.474 | 0.616 | 0.778 | 0.961 | 1.168 | 1.399 | 1.656 | | | | | | | |
| OP-MSGM018SC | 114X7101 114X7131 | W05 W09 | SC18G | G | 27 | 0.757 | 0.937 | 1.144 | 1.381 | 1.651 | 1.954 | 2.293 | | | | | | | |
| | | | | | 32 | 0.680 | 0.855 | 1.057 | 1.289 | 1.552 | 1.849 | 2.180 | 0.876 | 0.544 | 1.61 | | 63 | 32 | |
| | | | | | 38 | 0.606 | 0.774 | 0.968 | 1.191 | 1.444 | 1.729 | 2.049 | | | | | | | |
| | | | | | 43 | 0.556 | 0.716 | 0.902 | 1.114 | 1.357 | 1.631 | 1.938 | | | | | | | |
| OP-MSGM021SC | 114X7102 114X7132 | W05 W09 | SC21G | G | 27 | 0.885 | 1.107 | 1.358 | 1.638 | 1.949 | 2.290 | 2.662 | | | | | | | |
| | | | | | 32 | 0.813 | 1.025 | 1.267 | 1.538 | 1.839 | 2.170 | 2.531 | 1.051 | 0.605 | 1.74 | | 63 | 32 | |
| | | | | | 38 | 0.733 | 0.932 | 1.159 | 1.416 | 1.702 | 2.018 | 2.364 | | | | | | | |
| | | | | | 43 | 0.666 | 0.852 | 1.066 | 1.308 | 1.580 | 1.881 | 2.213 | | | | | | | |
| OP-MSGM026AJ | 114X7103 114X7209 | W05 W09 | CAJ4492Y | G | 27 | 1.075 | 1.396 | 1.773 | 2.209 | 2.708 | 3.270 | 3.896 | | | | | | | |
| | | | | | 32 | 0.982 | 1.284 | 1.638 | 2.048 | 2.516 | 3.045 | 3.636 | 1.314 | 0.729 | 1.80 | | 62 | 31 | |
| | | | | | 38 | 0.867 | 1.149 | 1.477 | 1.856 | 2.289 | 2.779 | 3.328 | | | | | | | |
| | | | | | 43 | 0.769 | 1.035 | 1.342 | 1.696 | 2.101 | 2.559 | 3.074 | | | | | | | |
| OP-MSGM033AJ | 114X7104 114X7210 | W05 W09 | CAJ4511Y | G | 27 | 1.444 | 1.835 | 2.280 | 2.786 | 3.353 | 3.984 | 4.678 | | | | | | | |
| | | | | | 32 | 1.326 | 1.699 | 2.122 | 2.601 | 3.138 | 3.736 | 4.394 | 1.740 | 0.849 | 2.05 | | 67 | 36 | |
| | | | | | 38 | 1.180 | 1.531 | 1.927 | 2.373 | 2.873 | 3.430 | 4.045 | | | | | | | |
| | | | | | 43 | 1.058 | 1.389 | 1.761 | 2.180 | 2.649 | 3.171 | 3.749 | | | | | | | |
| OP-MSXM034ML | 114X7062 114X7196 | W05 W09 | MLZ015T4 | E | 27 | 1.817 | 2.286 | 2.834 | 3.467 | 4.188 | 5.001 | 5.907 | | | | | | | |
| | | | | | 32 | 1.716 | 2.162 | 2.685 | 3.290 | 3.980 | 4.761 | 5.632 | 2.216 | 0.983 | 2.25 | | 69 | 38 | |
| | | | | | 38 | 1.597 | 2.012 | 2.502 | 3.071 | 3.723 | 4.462 | 5.290 | | | | | | | |
| | | | | | 43 | 1.499 | 1.886 | 2.346 | 2.883 | 3.502 | 4.205 | 4.995 | | | | | | | |
| OP-MSXM034ML | 114X7061 114X7195 | W05 W09 | MLZ015T5 | G | 27 | 1.822 | 2.321 | 2.883 | 3.513 | 4.218 | 5.003 | 5.876 | | | | | | | |
| | | | | | 32 | 1.711 | 2.189 | 2.730 | 3.339 | 4.023 | 4.788 | 5.639 | 2.244 | 1.033 | 2.17 | | 69 | 38 | |
| | | | | | 38 | 1.580 | 2.026 | 2.536 | 3.115 | 3.770 | 4.504 | 5.324 | | | | | | | |
| | | | | | 43 | 1.476 | 1.890 | 2.369 | 2.919 | 3.544 | 4.250 | 5.041 | | | | | | | |
| OP-MSXM044ML | 114X7162 114X7212 | W05 W09 | MLZ019T4 | E | 27 | 2.323 | 2.897 | 3.577 | 4.365 | 5.259 | 6.259 | 7.360 | | | | | | | |
| | | | | | 32 | 2.193 | 2.739 | 3.386 | 4.137 | 4.990 | 5.944 | 6.997 | 2.811 | 1.258 | 2.23 | | 69 | 38 | |
| | | | | | 38 | 2.032 | 2.543 | 3.149 | 3.853 | 4.655 | 5.554 | 6.548 | | | | | | | |
| | | | | | 43 | 1.896 | 2.375 | 2.945 | 3.610 | 4.368 | 5.220 | 6.164 | | | | | | | |
| OP-MSXM044ML | 114X7161 114X7211 | W05 W09 | MLZ019T5 | G | 27 | 2.312 | 2.920 | 3.612 | 4.394 | 5.268 | 6.238 | 7.307 | | | | | | | |
| | | | | | 32 | 2.173 | 2.748 | 3.411 | 4.163 | 5.007 | 5.947 | 6.985 | 2.821 | 1.401 | 2.01 | | 69 | 38 | |
| | | | | | 38 | 2.009 | 2.539 | 3.157 | 3.867 | 4.670 | 5.568 | 6.564 | | | | | | | |
| | | | | | 43 | 1.881 | 2.364 | 2.940 | 3.609 | 4.373 | 5.232 | 6.189 | | | | | | | |
| OP-MSXM046ML | 114X7064 114X7198 | W05 W09 | MLZ021T4 | E | 27 | 2.478 | 3.090 | 3.817 | 4.660 | 5.618 | 6.691 | 7.875 | | | | | | | |
| | | | | | 32 | 2.339 | 2.922 | 3.614 | 4.418 | 5.333 | 6.358 | 7.490 | 2.998 | 1.289 | 2.33 | | 69 | 38 | |
| | | | | | 38 | 2.167 | 2.713 | 3.363 | 4.118 | 4.979 | 5.945 | 7.014 | | | | | | | |
| | | | | | 43 | 2.021 | 2.535 | 3.147 | 3.860 | 4.674 | 5.591 | 6.606 | | | | | | | |

MBP

(1) G - Compressor 230V/1~/50Hz, fan 230V/1~/50Hz

E - Compressor 400V/3~/50Hz, fan 230V/1~/50Hz

(2) Nominal conditions (EN13215), Evaporating temperatures at dew point, Superheat 10K, Subcooling 0K

(3) Rated conditions (EN13215), Evaporating temperature (dew point) -10°C, Ambient air temperature +32°C, Return Gas Temperature 20°C, Subcooling 0K

SEPR, Seasonal Energy Performance Ratio

Q [kW], Cooling Capacity

P [kW], Power Input

This table continues on the next page



For regular updates and detailed capacities, please refer to **Coolselector®2** software



| Model | Code | Version | Compressor | Electrical code (1) | Tamb [°C] | Cooling capacity Q [kW] (2) | | | | | | | EcoDesign (3) | | | | Sound power level dB(A) | Sound pressure level 10 m dB(A) | | | |
|--------------|----------------------|------------|------------|---------------------|-----------|-----------------------------|-------|-------|--------|--------|--------|--------|---------------|--------|------|------|-------------------------|---------------------------------|----|--|--|
| | | | | | | Te [°C] | | | | | | | Q [kW] | P [kW] | COP | SEPR | | | | | |
| | | | | | | -15°C | -10°C | -5°C | 0°C | 5°C | 10°C | 15°C | | | | | | | | | |
| OP-MSXM046ML | 114X7063 114X7197 | W05 W09 | MLZ021T5 | G | 27 | 2.465 | 3.114 | 3.854 | 4.690 | 5.626 | 6.665 | 7.811 | | | | | | | | | |
| | | | | | 32 | 2.317 | 2.933 | 3.641 | 4.446 | 5.350 | 6.358 | 7.473 | 3.010 | 1.451 | 2.07 | | | 69 | 38 | | |
| | | | | | 38 | 2.143 | 2.710 | 3.372 | 4.133 | 4.994 | 5.959 | 7.030 | | | | | | | | | |
| | | | | | 43 | 2.006 | 2.524 | 3.142 | 3.859 | 4.679 | 5.603 | 6.633 | | | | | | | | | |
| OP-MSXM057ML | 114X7066 114X7200 | W05 W09 | MLZ026T4 | E | 27 | 2.988 | 3.749 | 4.629 | 5.632 | 6.762 | 8.020 | 9.405 | | | | | | | | | |
| | | | | | 32 | 2.811 | 3.536 | 4.375 | 5.331 | 6.409 | 7.610 | 8.932 | 3.633 | 1.591 | 2.28 | | | 69 | 38 | | |
| | | | | | 38 | 2.596 | 3.276 | 4.062 | 4.959 | 5.972 | 7.101 | 8.346 | | | | | | | | | |
| | | | | | 43 | 2.416 | 3.055 | 3.795 | 4.641 | 5.596 | 6.664 | 7.843 | | | | | | | | | |
| OP-MSXM057ML | 114X7065 114X7199 | W05 W09 | MLZ026T5 | G | 27 | 2.981 | 3.762 | 4.649 | 5.647 | 6.760 | 7.991 | 9.345 | | | | | | | | | |
| | | | | | 32 | 2.805 | 3.540 | 4.384 | 5.339 | 6.409 | 7.597 | 8.905 | 3.639 | 1.914 | 1.90 | | | 69 | 38 | | |
| | | | | | 38 | 2.601 | 3.271 | 4.052 | 4.947 | 5.958 | 7.088 | 8.337 | | | | | | | | | |
| | | | | | 43 | 2.443 | 3.048 | 3.770 | 4.608 | 5.564 | 6.638 | 7.833 | | | | | | | | | |
| OP-MSXM068ML | 114X7068 114X7202 | W05 W09 | MLZ030T4 | E | 27 | 3.686 | 4.631 | 5.738 | 7.016 | 8.470 | 10.104 | 11.920 | | | | | | | | | |
| | | | | | 32 | 3.484 | 4.382 | 5.437 | 6.657 | 8.048 | 9.614 | 11.357 | 4.493 | 1.897 | 2.37 | | | 70 | 39 | | |
| | | | | | 38 | 3.240 | 4.078 | 5.066 | 6.213 | 7.524 | 9.005 | 10.657 | | | | | | | | | |
| | | | | | 43 | 3.037 | 3.820 | 4.748 | 5.831 | 7.073 | 8.480 | 10.053 | | | | | | | | | |
| OP-MSXM068ML | 114X7067 114X7201 | W05 W09 | MLZ030T5 | G | 27 | 3.786 | 4.657 | 5.752 | 7.035 | 8.471 | 10.032 | 11.692 | | | | | | | | | |
| | | | | | 32 | 3.642 | 4.426 | 5.449 | 6.672 | 8.059 | 9.581 | 11.211 | 4.540 | 2.184 | 2.08 | | | 70 | 39 | | |
| | | | | | 38 | 3.479 | 4.146 | 5.072 | 6.214 | 7.534 | 9.001 | 10.586 | | | | | | | | | |
| | | | | | 43 | 3.356 | 3.915 | 4.751 | 5.817 | 7.073 | 8.487 | 10.029 | | | | | | | | | |
| OP-MSXM080ML | 114X7070 114X7204 | W05 W09 | MLZ038T4 | E | 27 | 4.283 | 5.388 | 6.667 | 8.129 | 9.782 | 11.630 | 13.673 | | | | | | | | | |
| | | | | | 32 | 4.029 | 5.086 | 6.307 | 7.704 | 9.282 | 11.048 | 13.001 | 5.220 | 2.308 | 2.26 | 3.43 | 70 | 39 | | | |
| | | | | | 38 | 3.718 | 4.713 | 5.863 | 7.176 | 8.663 | 10.326 | 12.170 | | | | | | | | | |
| | | | | | 43 | 3.454 | 4.396 | 5.482 | 6.724 | 8.130 | 9.707 | 11.457 | | | | | | | | | |
| OP-MSXM080ML | 114X7069 114X7203 | W05 W09 | MLZ038T5 | G | 27 | 4.250 | 5.469 | 6.787 | 8.230 | 9.821 | 11.578 | 13.518 | | | | | | | | | |
| | | | | | 32 | 3.953 | 5.136 | 6.411 | 7.803 | 9.334 | 11.025 | 12.892 | 5.271 | 2.438 | 2.16 | 3.03 | 70 | 39 | | | |
| | | | | | 38 | 3.566 | 4.705 | 5.926 | 7.255 | 8.715 | 10.327 | 12.107 | | | | | | | | | |
| | | | | | 43 | 3.225 | 4.325 | 5.500 | 6.776 | 8.176 | 9.721 | 11.429 | | | | | | | | | |
| OP-MSXM099ML | 114X7071 114X7205 | W05 W09 | MLZ045T4 | E | 27 | 5.329 | 6.672 | 8.263 | 10.089 | 12.135 | 14.386 | 16.825 | | | | | | | | | |
| | | | | | 32 | 5.018 | 6.290 | 7.806 | 9.553 | 11.514 | 13.674 | 16.016 | 6.456 | 2.623 | 2.46 | 3.83 | 70 | 39 | | | |
| | | | | | 38 | 4.645 | 5.822 | 7.239 | 8.880 | 10.731 | 12.775 | 14.994 | | | | | | | | | |
| | | | | | 43 | 4.337 | 5.425 | 6.750 | 8.297 | 10.049 | 11.990 | 14.101 | | | | | | | | | |
| OP-MSXM108ML | 114X7072 114X7206 | W05 W09 | MLZ048T4 | E | 27 | 5.637 | 7.050 | 8.708 | 10.601 | 12.721 | 15.056 | 17.592 | | | | | | | | | |
| | | | | | 32 | 5.298 | 6.641 | 8.223 | 10.033 | 12.062 | 14.299 | 16.730 | 6.819 | 2.840 | 2.40 | 3.74 | 70 | 39 | | | |
| | | | | | 38 | 4.889 | 6.140 | 7.620 | 9.323 | 11.236 | 13.349 | 15.649 | | | | | | | | | |
| | | | | | 43 | 4.548 | 5.714 | 7.104 | 8.709 | 10.520 | 12.525 | 14.711 | | | | | | | | | |

MBP

(1) G - Compressor 230V/1~/50Hz, fan 230V/1~/50Hz

E - Compressor 400V/3~/50Hz, fan 230V/1~/50Hz

(2) Nominal conditions (EN13215), Evaporating temperatures at dew point, Superheat 10K, Subcooling 0K

(3) Rated conditions (EN13215), Evaporating temperature (dew point) -10°C, Ambient air temperature +32°C, Return Gas Temperature 20°C, Subcooling 0K

SEPR, Seasonal Energy Performance Ratio

Q [kW], Cooling Capacity

P [kW], Power Input



For regular updates and detailed capacities, please refer to **Coolselector®2** software



| Model | Code | Version | Compressor | Electrical code (1) | Tamb [°C] | Cooling capacity Q [kW] (2) | | | | | | | EcoDesign (3) | | | | Sound power level dB(A) | Sound pressure level 10 m dB(A) |
|--------------|----------------------|------------|------------|---------------------|-----------|-----------------------------|-------|-------|-------|-------|-------|--------|---------------|--------|------|------|-------------------------|---------------------------------|
| | | | | | | Te [°C] | | | | | | | Q [kW] | P [kW] | COP | SEPR | | |
| | | | | | | -20°C | -15°C | -10°C | -5°C | 0°C | 5°C | 10°C | | | | | | |
| OP-MSXM034ML | 114X7062 114X7196 | W05 W09 | MLZ015T4 | E | 27 | 2.372 | 2.942 | 3.595 | 4.338 | 5.175 | 6.110 | 7.142 | 3.409 | 1.647 | 2.07 | 69 | 38 | |
| | | | | | 32 | 2.193 | 2.731 | 3.348 | 4.050 | 4.843 | 5.729 | 6.711 | | | | | | |
| | | | | | 38 | 1.965 | 2.464 | 3.035 | 3.685 | 4.422 | 5.248 | 6.169 | | | | | | |
| | | | | | 43 | | 2.229 | 2.759 | 3.365 | 4.053 | 4.828 | 5.696 | | | | | | |
| OP-MSXM034ML | 114X7061 114X7195 | W05 W09 | MLZ015T5 | G | 27 | 2.360 | 2.934 | 3.592 | 4.340 | 5.182 | 6.120 | 7.153 | 3.418 | 1.604 | 2.13 | 69 | 38 | |
| | | | | | 32 | 2.195 | 2.736 | 3.356 | 4.061 | 4.856 | 5.743 | 6.725 | | | | | | |
| | | | | | 38 | 1.992 | 2.491 | 3.063 | 3.715 | 4.451 | 5.277 | 6.194 | | | | | | |
| | | | | | 43 | | 2.283 | 2.812 | 3.416 | 4.102 | 4.875 | 5.737 | | | | | | |
| OP-MSXM044ML | 114X7162 114X7212 | W05 W09 | MLZ019T4 | E | 27 | 2.992 | 3.699 | 4.502 | 5.404 | 6.409 | 7.517 | 8.727 | 4.281 | 2.165 | 1.98 | 69 | 38 | |
| | | | | | 32 | 2.780 | 3.443 | 4.194 | 5.040 | 5.984 | 7.027 | 8.170 | | | | | | |
| | | | | | 38 | 2.521 | 3.129 | 3.817 | 4.592 | 5.460 | 6.423 | 7.484 | | | | | | |
| | | | | | 43 | | 2.863 | 3.495 | 4.209 | 5.011 | 5.906 | 6.897 | | | | | | |
| OP-MSXM044ML | 114X7161 114X7211 | W05 W09 | MLZ019T5 | G | 27 | 2.894 | 3.600 | 4.404 | 5.314 | 6.332 | 7.459 | 8.696 | 4.207 | 2.280 | 1.85 | 69 | 38 | |
| | | | | | 32 | 2.697 | 3.363 | 4.121 | 4.978 | 5.939 | 7.007 | 8.181 | | | | | | |
| | | | | | 38 | 2.454 | 3.068 | 3.767 | 4.559 | 5.449 | 6.442 | 7.541 | | | | | | |
| | | | | | 43 | | 2.813 | 3.460 | 4.195 | 5.025 | 5.954 | 6.987 | | | | | | |
| OP-MSXM046ML | 114X7064 114X7198 | W05 W09 | MLZ021T4 | E | 27 | 3.178 | 3.933 | 4.791 | 5.759 | 6.840 | 8.035 | 9.343 | 4.535 | 2.237 | 2.03 | 69 | 38 | |
| | | | | | 32 | 2.930 | 3.640 | 4.446 | 5.355 | 6.372 | 7.499 | 8.738 | | | | | | |
| | | | | | 38 | 2.622 | 3.274 | 4.014 | 4.850 | 5.788 | 6.832 | 7.985 | | | | | | |
| | | | | | 43 | | 2.957 | 3.639 | 4.411 | 5.281 | 6.254 | 7.335 | | | | | | |
| OP-MSXM046ML | 114X7063 114X7197 | W05 W09 | MLZ021T5 | G | 27 | 3.182 | 3.942 | 4.809 | 5.791 | 6.890 | 8.108 | 9.445 | 4.568 | 2.352 | 1.94 | 69 | 38 | |
| | | | | | 32 | 2.949 | 3.663 | 4.477 | 5.400 | 6.437 | 7.589 | 8.858 | | | | | | |
| | | | | | 38 | 2.665 | 3.318 | 4.065 | 4.914 | 5.871 | 6.941 | 8.127 | | | | | | |
| | | | | | 43 | | 3.025 | 3.713 | 4.496 | 5.384 | 6.382 | 7.495 | | | | | | |
| OP-MSXM057ML | 114X7066 114X7200 | W05 W09 | MLZ026T4 | E | 27 | 3.811 | 4.724 | 5.742 | 6.868 | 8.104 | 9.450 | 10.901 | 5.406 | 2.940 | 1.84 | 3.15 | 69 | 38 |
| | | | | | 32 | 3.473 | 4.333 | 5.289 | 6.345 | 7.506 | 8.770 | 10.138 | | | | | | |
| | | | | | 38 | 3.048 | 3.841 | 4.718 | 5.688 | 6.754 | 7.919 | 9.186 | | | | | | |
| | | | | | 43 | | 3.412 | 4.221 | 5.114 | 6.099 | 7.179 | 8.360 | | | | | | |

MBP

(1) G - Compressor 230V/1~/50Hz, fan 230V/1~/50Hz

E - Compressor 400V/3~/50Hz, fan 230V/1~/50Hz

(2) Nominal conditions (EN13215), Evaporating temperatures at dew point, Superheat 10K, Subcooling 0K

(3) Rated conditions (EN13215), Evaporating temperature (dew point) -10°C, Ambient air temperature +32°C, Return Gas Temperature 20°C, Subcooling 0K

SEPR, Seasonal Energy Performance Ratio

Q [kW], Cooling Capacity

P [kW], Power Input

This table continues on the next page



For regular updates and detailed capacities, please refer to **Coolselector®2** software



| Model | Code | Version | Compressor | Electrical code (1) | Tamb [°C] | Cooling capacity Q [kW] (2) | | | | | | | EcoDesign (3) | | | | Sound power level dB(A) | Sound pressure level 10 m dB(A) | |
|--------------|----------------------|------------|------------|---------------------|-----------|-----------------------------|-------|--------|--------|--------|--------|--------|---------------|--------|------|------|-------------------------|---------------------------------|--|
| | | | | | | Te [°C] | | | | | | | Q [kW] | P [kW] | COP | SEPR | | | |
| | | | | | | -20°C | -15°C | -10°C | -5°C | 0°C | 5°C | 10°C | | | | | | | |
| OP-MSXM057ML | 114X7065 114X7199 | W05 W09 | MLZ026T5 | G | 27 | 3.863 | 4.769 | 5.790 | 6.932 | 8.193 | 9.572 | 11.064 | | | | | | | |
| | | | | | 32 | 3.561 | 4.404 | 5.354 | 6.416 | 7.593 | 8.883 | 10.284 | 5.475 | 3.082 | 1.78 | 2.93 | 69 | 38 | |
| | | | | | 38 | 3.185 | 3.945 | 4.803 | 5.766 | 6.836 | 8.016 | 9.306 | | | | | | | |
| | | | | | 43 | | 3.548 | 4.323 | 5.197 | 6.175 | 7.260 | 8.454 | | | | | | | |
| OP-MSXM068ML | 114X7067 114X7201 | W05 W09 | MLZ030T5 | G | 27 | 4.812 | 5.958 | 7.265 | 8.744 | 10.404 | 12.248 | 14.278 | | | | | | | |
| | | | | | 32 | 4.447 | 5.529 | 6.761 | 8.157 | 9.726 | 11.473 | 13.403 | 6.890 | 3.266 | 2.11 | 3.30 | 70 | 39 | |
| | | | | | 38 | 3.993 | 4.993 | 6.132 | 7.424 | 8.879 | 10.507 | 12.313 | | | | | | | |
| | | | | | 43 | | 4.531 | 5.587 | 6.788 | 8.146 | 9.671 | 11.373 | | | | | | | |
| OP-MSXM068ML | 114X7068 114X7202 | W05 W09 | MLZ030T4 | E | 27 | 4.860 | 5.997 | 7.295 | 8.767 | 10.419 | 12.259 | 14.287 | | | | | | | |
| | | | | | 32 | 4.485 | 5.559 | 6.783 | 8.172 | 9.734 | 11.476 | 13.402 | 6.911 | 3.138 | 2.20 | 3.48 | 70 | 39 | |
| | | | | | 38 | 4.012 | 5.003 | 6.134 | 7.418 | 8.867 | 10.490 | 12.292 | | | | | | | |
| | | | | | 43 | | 4.516 | 5.564 | 6.757 | 8.109 | 9.629 | 11.326 | | | | | | | |
| OP-MSXM080ML | 114X7069 114X7203 | W05 W09 | MLZ038T5 | G | 27 | 5.554 | 6.850 | 8.310 | 9.943 | 11.753 | 13.739 | 15.900 | | | | | | | |
| | | | | | 32 | 5.167 | 6.388 | 7.759 | 9.290 | 10.988 | 12.855 | 14.891 | 7.919 | 3.985 | 1.99 | 3.07 | 70 | 39 | |
| | | | | | 38 | 4.680 | 5.803 | 7.062 | 8.467 | 10.027 | 11.747 | 13.631 | | | | | | | |
| | | | | | 43 | | 5.292 | 6.452 | 7.747 | 9.188 | 10.783 | 12.539 | | | | | | | |
| OP-MSXM080ML | 114X7070 114X7204 | W05 W09 | MLZ038T4 | E | 27 | 5.654 | 6.949 | 8.417 | 10.066 | 11.901 | 13.922 | 16.126 | | | | | | | |
| | | | | | 32 | 5.214 | 6.433 | 7.812 | 9.361 | 11.088 | 12.995 | 15.081 | 7.969 | 3.716 | 2.14 | 3.49 | 70 | 39 | |
| | | | | | 38 | 4.667 | 5.786 | 7.053 | 8.479 | 10.073 | 11.838 | 13.779 | | | | | | | |
| | | | | | 43 | | 5.227 | 6.395 | 7.714 | 9.192 | 10.836 | 12.654 | | | | | | | |
| OP-MSXM099ML | 114X7071 114X7205 | W05 W09 | MLZ045T4 | E | 27 | 6.863 | 8.500 | 10.345 | 12.405 | 14.683 | 17.178 | 19.881 | | | | | | | |
| | | | | | 32 | 6.342 | 7.876 | 9.600 | 11.525 | 13.656 | 15.995 | 18.537 | 9.800 | 4.693 | 2.09 | 3.46 | 70 | 39 | |
| | | | | | 38 | 5.692 | 7.092 | 8.663 | 10.419 | 12.367 | 14.513 | 16.859 | | | | | | | |
| | | | | | 43 | | 6.412 | 7.848 | 9.456 | 11.247 | 13.228 | 15.406 | | | | | | | |
| OP-MSXM108ML | 114X7072 114X7206 | W05 W09 | MLZ048T4 | E | 27 | 7.357 | 9.067 | 10.997 | 13.154 | 15.541 | 18.156 | 20.992 | | | | | | | |
| | | | | | 32 | 6.775 | 8.377 | 10.182 | 12.201 | 14.439 | 16.897 | 19.572 | 10.403 | 5.300 | 1.96 | 3.31 | 70 | 39 | |
| | | | | | 38 | 6.050 | 7.513 | 9.161 | 11.008 | 13.061 | 15.326 | 17.804 | | | | | | | |
| | | | | | 43 | | 6.764 | 8.274 | 9.971 | 11.865 | 13.964 | 16.275 | | | | | | | |

MBP

(1) G - Compressor 230V/1~/50Hz, fan 230V/1~/50Hz

E - Compressor 400V/3~/50Hz, fan 230V/1~/50Hz

(2) Nominal conditions (EN13215), Evaporating temperatures at dew point, Superheat 10K, Subcooling 0K

(3) Rated conditions (EN13215), Evaporating temperature (dew point) -10°C, Ambient air temperature +32°C, Return Gas Temperature 20°C, Subcooling 0K

SEPR, Seasonal Energy Performance Ratio

Q [kW], Cooling Capacity

P [kW], Power Input



For regular updates and detailed capacities, please refer to **Coolselector®2** software



| Model | Code | Version | Compressor | Electrical code (1) | Tamb [°C] | Cooling capacity Q [kW] (2) | | | | | | | EcoDesign (3) | | | | Sound power level dB(A) | Sound pressure level 10 m dB(A) |
|--------------|----------------------|------------|------------|---------------------|-----------|-----------------------------|-------|-------|-------|-------|-------|-------|---------------|--------|------|------|-------------------------|---------------------------------|
| | | | | | | Te [°C] | | | | | | | Q [kW] | P [kW] | COP | SEPR | | |
| | | | | | | -20°C | -15°C | -10°C | -5°C | 0°C | 5°C | 10°C | | | | | | |
| OP-MSYM009MY | 114X7108 114X7133 | W05 W09 | MLY90RAB | G | 27 | 0.668 | 0.878 | 1.098 | 1.327 | 1.566 | 1.813 | | | | | | | |
| | | | | | 32 | 0.609 | 0.801 | 1.004 | 1.217 | 1.441 | 1.673 | 0.813 | 0.430 | 1.89 | | 62 | 31 | |
| | | | | | 38 | 0.540 | 0.710 | 0.892 | 1.086 | 1.290 | 1.504 | | | | | | | |
| | | | | | 43 | 0.482 | 0.635 | 0.800 | 0.976 | 1.164 | 1.364 | | | | | | | |
| OP-MSYM012MP | 114X7109 114X7134 | W05 W09 | MPT12RA | G | 27 | 0.930 | 1.198 | 1.478 | 1.768 | 2.067 | 2.373 | | | | | | | |
| | | | | | 32 | 0.848 | 1.095 | 1.353 | 1.623 | 1.902 | 2.191 | 1.112 | 0.589 | 1.89 | | 65 | 34 | |
| | | | | | 38 | 0.751 | 0.971 | 1.204 | 1.449 | 1.705 | 1.972 | | | | | | | |
| | | | | | 43 | 0.670 | 0.868 | 1.080 | 1.304 | 1.541 | 1.790 | | | | | | | |
| OP-MSYM014MP | 114X7110 114X7135 | W05 W09 | MPT14RA | G | 27 | 0.978 | 1.251 | 1.544 | 1.859 | 2.193 | 2.546 | | | | | | | |
| | | | | | 32 | 0.896 | 1.147 | 1.421 | 1.716 | 2.032 | 2.367 | 1.166 | 0.729 | 1.60 | | 60 | 29 | |
| | | | | | 38 | 0.799 | 1.024 | 1.273 | 1.544 | 1.838 | 2.153 | | | | | | | |
| | | | | | 43 | 0.718 | 0.922 | 1.150 | 1.401 | 1.676 | 1.974 | | | | | | | |
| OP-MSYM018AJ | 114X7111 114X7136 | W05 W09 | CAJ9510Z | G | 27 | 0.932 | 1.233 | 1.594 | 2.022 | 2.527 | 3.114 | 3.791 | | | | | | |
| | | | | | 32 | 0.854 | 1.134 | 1.469 | 1.868 | 2.339 | 2.889 | 3.524 | 1.491 | 0.781 | 1.91 | | 64 | 33 |
| | | | | | 38 | 1.015 | 1.321 | 1.685 | 2.117 | 2.622 | 3.209 | | | | | | | |
| | | | | | 43 | 0.916 | 1.199 | 1.535 | 1.934 | 2.404 | 2.950 | | | | | | | |
| OP-MSYM024AJ | 114X7097 114X7194 | W05 W09 | CAJ9513Z | G | 27 | 1.153 | 1.549 | 2.021 | 2.577 | 3.222 | 3.960 | 4.796 | | | | | | |
| | | | | | 32 | 1.041 | 1.409 | 1.847 | 2.363 | 2.964 | 3.655 | 4.439 | 1.876 | 0.902 | 2.08 | | 64 | 33 |
| | | | | | 38 | 1.244 | 1.643 | 2.113 | 2.663 | 3.297 | 4.021 | | | | | | | |
| | | | | | 43 | 1.107 | 1.475 | 1.909 | 2.417 | 3.006 | 3.679 | | | | | | | |
| OP-MSYM026AJ | 114X7083 114X7190 | W05 W09 | CAJ4517Z | G | 27 | 1.321 | 1.737 | 2.227 | 2.802 | 3.469 | 4.235 | 5.103 | | | | | | |
| | | | | | 32 | 1.203 | 1.591 | 2.047 | 2.582 | 3.205 | 3.923 | 4.739 | 2.080 | 1.009 | 2.06 | | 67 | 36 |
| | | | | | 38 | 1.416 | 1.833 | 2.323 | 2.894 | 3.554 | 4.309 | | | | | | | |
| | | | | | 43 | 1.271 | 1.657 | 2.109 | 2.638 | 3.252 | 3.956 | | | | | | | |
| OP-MSYM026AJ | 114X7093 114X7192 | W05 W09 | TAJ4517Z | E | 27 | 1.298 | 1.730 | 2.233 | 2.819 | 3.495 | 4.268 | 5.144 | | | | | | |
| | | | | | 32 | 1.169 | 1.575 | 2.048 | 2.597 | 3.232 | 3.960 | 4.785 | 2.081 | 1.059 | 1.97 | | 67 | 36 |
| | | | | | 38 | 1.388 | 1.824 | 2.330 | 2.917 | 3.590 | 4.356 | | | | | | | |
| | | | | | 43 | 1.231 | 1.637 | 2.109 | 2.654 | 3.283 | 4.000 | | | | | | | |
| OP-MSYM034AJ | 114X7094 114X7193 | W05 W09 | TAJ4519Z | E | 27 | 1.650 | 2.164 | 2.762 | 3.451 | 4.239 | 5.132 | 6.131 | | | | | | |
| | | | | | 32 | 1.503 | 1.986 | 2.546 | 3.191 | 3.930 | 4.768 | 5.708 | 2.591 | 1.350 | 1.92 | | 68 | 37 |
| | | | | | 38 | 1.771 | 2.288 | 2.882 | 3.562 | 4.336 | 5.206 | | | | | | | |
| | | | | | 43 | 1.589 | 2.071 | 2.625 | 3.259 | 3.980 | 4.792 | | | | | | | |
| OP-MSYM034AJ | 114X7084 114X7191 | W05 W09 | CAJ4519Z | G | 27 | 1.650 | 2.185 | 2.805 | 3.521 | 4.340 | 5.269 | 6.309 | | | | | | |
| | | | | | 32 | 1.498 | 2.000 | 2.581 | 3.251 | 4.018 | 4.889 | 5.866 | 2.627 | 1.416 | 1.86 | | 68 | 37 |
| | | | | | 38 | 1.776 | 2.310 | 2.925 | 3.630 | 4.431 | 5.333 | | | | | | | |
| | | | | | 43 | 1.588 | 2.083 | 2.652 | 3.306 | 4.050 | 4.889 | | | | | | | |
| OP-MSXM034ML | 114X7062 114X7196 | W05 W09 | MLZ015T4 | E | 27 | 2.367 | 2.937 | 3.590 | 4.334 | 5.172 | 6.108 | 7.142 | | | | | | |
| | | | | | 32 | 2.187 | 2.726 | 3.343 | 4.046 | 4.839 | 5.727 | 6.711 | 3.409 | 1.647 | 2.07 | | 69 | 38 |
| | | | | | 38 | 1.960 | 2.458 | 3.029 | 3.681 | 4.418 | 5.246 | 6.169 | | | | | | |
| | | | | | 43 | 2.224 | 2.754 | 3.360 | 4.049 | 4.826 | 5.696 | | | | | | | |
| OP-MSXM034ML | 114X7061 114X7195 | W05 W09 | MLZ015T5 | G | 27 | 2.355 | 2.929 | 3.587 | 4.336 | 5.179 | 6.118 | 7.153 | | | | | | |
| | | | | | 32 | 2.189 | 2.731 | 3.351 | 4.057 | 4.852 | 5.741 | 6.725 | 3.418 | 1.604 | 2.13 | | 69 | 38 |
| | | | | | 38 | 1.987 | 2.486 | 3.058 | 3.710 | 4.447 | 5.274 | 6.194 | | | | | | |
| | | | | | 43 | 2.277 | 2.807 | 3.412 | 4.098 | 4.872 | 5.737 | | | | | | | |

MBP

(1) G - Compressor 230V/1~/50Hz, fan 230V/1~/50Hz

E - Compressor 400V/3~/50Hz, fan 230V/1~/50Hz

(2) Nominal conditions (EN13215), Evaporating temperatures at dew point, Superheat 10K, Subcooling 0K

(3) Rated conditions (EN13215), Evaporating temperature (dew point) -10°C, Ambient air temperature +32°C, Return Gas Temperature 20°C, Subcooling 0K

SEPR, Seasonal Energy Performance Ratio

Q [kW], Cooling Capacity

P [kW], Power Input

This table continues on the next page



For regular updates and detailed capacities, please refer to **Coolselector®2** software



| Model | Code | Version | Compressor | Electrical code (1) | Tamb [°C] | Cooling capacity Q [kW] (2) | | | | | | | EcoDesign (3) | | | | Sound power level dB(A) | Sound pressure level 10 m dB(A) | |
|--------------|----------------------|------------|------------|---------------------|-----------|-----------------------------|-------|--------|--------|--------|--------|--------|---------------|--------|------|------|-------------------------|---------------------------------|----|
| | | | | | | Te [°C] | | | | | | | Q [kW] | P [kW] | COP | SEPR | | | |
| | | | | | | -20°C | -15°C | -10°C | -5°C | 0°C | 5°C | 10°C | | | | | | | |
| OP-MSXM044ML | 114X7162 114X7212 | W05 W09 | MLZ019T4 | E | 27 | 2.986 | 3.693 | 4.495 | 5.398 | 6.405 | 7.515 | 8.727 | 4.281 | 2.165 | 1.98 | | | 69 | 38 |
| | | | | | 32 | 2.773 | 3.436 | 4.188 | 5.034 | 5.980 | 7.025 | 8.170 | | | | | | | |
| | | | | | 38 | 2.514 | 3.122 | 3.810 | 4.586 | 5.455 | 6.420 | 7.484 | | | | | | | |
| | | | | | 43 | | 2.856 | 3.489 | 4.203 | 5.007 | 5.903 | 6.897 | | | | | | | |
| OP-MSXM044ML | 114X7161 114X7211 | W05 W09 | MLZ019T5 | G | 27 | 2.888 | 3.593 | 4.398 | 5.308 | 6.327 | 7.457 | 8.696 | 4.207 | 2.280 | 1.85 | | | 69 | 38 |
| | | | | | 32 | 2.691 | 3.356 | 4.114 | 4.972 | 5.935 | 7.004 | 8.181 | | | | | | | |
| | | | | | 38 | 2.447 | 3.061 | 3.760 | 4.553 | 5.445 | 6.439 | 7.541 | | | | | | | |
| | | | | | 43 | | 2.806 | 3.454 | 4.189 | 5.020 | 5.951 | 6.987 | | | | | | | |
| OP-MSXM046ML | 114X7064 114X7198 | W05 W09 | MLZ021T4 | E | 27 | 3.171 | 3.926 | 4.785 | 5.753 | 6.835 | 8.032 | 9.343 | 4.535 | 2.237 | 2.03 | | | 69 | 38 |
| | | | | | 32 | 2.923 | 3.633 | 4.439 | 5.349 | 6.367 | 7.497 | 8.738 | | | | | | | |
| | | | | | 38 | 2.615 | 3.267 | 4.007 | 4.843 | 5.783 | 6.829 | 7.985 | | | | | | | |
| | | | | | 43 | | 2.950 | 3.632 | 4.405 | 5.276 | 6.251 | 7.335 | | | | | | | |
| OP-MSXM046ML | 114X7063 114X7197 | W05 W09 | MLZ021T5 | G | 27 | 3.175 | 3.935 | 4.802 | 5.785 | 6.885 | 8.106 | 9.445 | 4.568 | 2.352 | 1.94 | | | 69 | 38 |
| | | | | | 32 | 2.942 | 3.655 | 4.470 | 5.394 | 6.432 | 7.586 | 8.858 | | | | | | | |
| | | | | | 38 | 2.657 | 3.311 | 4.058 | 4.908 | 5.866 | 6.938 | 8.127 | | | | | | | |
| | | | | | 43 | | 3.018 | 3.705 | 4.490 | 5.379 | 6.379 | 7.495 | | | | | | | |
| OP-MSXM057ML | 114X7066 114X7200 | W05 W09 | MLZ026T4 | E | 27 | 3.803 | 4.716 | 5.734 | 6.861 | 8.099 | 9.446 | 10.901 | 5.406 | 2.940 | 1.84 | 3.15 | | 69 | 38 |
| | | | | | 32 | 3.464 | 4.325 | 5.281 | 6.338 | 7.500 | 8.767 | 10.138 | | | | | | | |
| | | | | | 38 | 3.040 | 3.832 | 4.710 | 5.680 | 6.748 | 7.916 | 9.186 | | | | | | | |
| | | | | | 43 | | 3.403 | 4.213 | 5.107 | 6.093 | 7.176 | 8.360 | | | | | | | |
| OP-MSXM057ML | 114X7065 114X7199 | W05 W09 | MLZ026T5 | G | 27 | 3.855 | 4.760 | 5.782 | 6.924 | 8.188 | 9.569 | 11.064 | 5.475 | 3.082 | 1.78 | 2.93 | | 69 | 38 |
| | | | | | 32 | 3.553 | 4.395 | 5.345 | 6.409 | 7.587 | 8.880 | 10.284 | | | | | | | |
| | | | | | 38 | 3.176 | 3.936 | 4.795 | 5.758 | 6.830 | 8.013 | 9.306 | | | | | | | |
| | | | | | 43 | | 3.539 | 4.315 | 5.190 | 6.169 | 7.257 | 8.454 | | | | | | | |
| OP-MSXM068ML | 114X7067 114X7201 | W05 W09 | MLZ030T5 | G | 27 | 4.802 | 5.948 | 7.255 | 8.735 | 10.397 | 12.244 | 14.278 | 6.890 | 3.266 | 2.11 | 3.30 | | 70 | 39 |
| | | | | | 32 | 4.436 | 5.518 | 6.751 | 8.148 | 9.719 | 11.469 | 13.403 | | | | | | | |
| | | | | | 38 | 3.983 | 4.982 | 6.121 | 7.414 | 8.872 | 10.503 | 12.313 | | | | | | | |
| | | | | | 43 | | 4.520 | 5.577 | 6.779 | 8.139 | 9.667 | 11.373 | | | | | | | |
| OP-MSXM068ML | 114X7068 114X7202 | W05 W09 | MLZ030T4 | E | 27 | 4.849 | 5.986 | 7.285 | 8.758 | 10.412 | 12.255 | 14.287 | 6.911 | 3.138 | 2.20 | 3.48 | | 70 | 39 |
| | | | | | 32 | 4.475 | 5.548 | 6.773 | 8.163 | 9.727 | 11.472 | 13.402 | | | | | | | |
| | | | | | 38 | 4.001 | 4.992 | 6.123 | 7.409 | 8.860 | 10.486 | 12.292 | | | | | | | |
| | | | | | 43 | | 4.505 | 5.553 | 6.748 | 8.102 | 9.625 | 11.326 | | | | | | | |
| OP-MSXM080ML | 114X7069 114X7203 | W05 W09 | MLZ038T5 | G | 27 | 5.542 | 6.838 | 8.298 | 9.933 | 11.744 | 13.735 | 15.900 | 7.919 | 3.985 | 1.99 | 3.07 | | 70 | 39 |
| | | | | | 32 | 5.155 | 6.375 | 7.747 | 9.279 | 10.980 | 12.850 | 14.891 | | | | | | | |
| | | | | | 38 | 4.667 | 5.790 | 7.049 | 8.456 | 10.018 | 11.742 | 13.631 | | | | | | | |
| | | | | | 43 | | 5.279 | 6.439 | 7.736 | 9.180 | 10.778 | 12.539 | | | | | | | |
| OP-MSXM080ML | 114X7070 114X7204 | W05 W09 | MLZ038T4 | E | 27 | 5.641 | 6.937 | 8.405 | 10.056 | 11.893 | 13.917 | 16.126 | 7.969 | 3.716 | 2.14 | 3.49 | | 70 | 39 |
| | | | | | 32 | 5.202 | 6.420 | 7.800 | 9.351 | 11.080 | 12.990 | 15.081 | | | | | | | |
| | | | | | 38 | 4.654 | 5.774 | 7.041 | 8.469 | 10.064 | 11.833 | 13.779 | | | | | | | |
| | | | | | 43 | | 5.214 | 6.383 | 7.703 | 9.183 | 10.832 | 12.654 | | | | | | | |
| OP-MSXM099ML | 114X7071 114X7205 | W05 W09 | MLZ045T4 | E | 27 | 6.848 | 8.485 | 10.330 | 12.392 | 14.673 | 17.172 | 19.881 | 9.800 | 4.693 | 2.09 | 3.46 | | 70 | 39 |
| | | | | | 32 | 6.327 | 7.860 | 9.585 | 11.512 | 13.646 | 15.989 | 18.537 | | | | | | | |
| | | | | | 38 | 5.676 | 7.076 | 8.648 | 10.405 | 12.357 | 14.507 | 16.859 | | | | | | | |
| | | | | | 43 | | 6.396 | 7.833 | 9.443 | 11.237 | 13.222 | 15.406 | | | | | | | |
| OP-MSXM108ML | 114X7072 114X7206 | W05 W09 | MLZ048T4 | E | 27 | 7.341 | 9.051 | 10.981 | 13.140 | 15.530 | 18.149 | 20.992 | 10.403 | 5.300 | 1.96 | 3.31 | | 70 | 39 |
| | | | | | 32 | 6.758 | 8.360 | 10.166 | 12.187 | 14.428 | 16.891 | 19.572 | | | | | | | |
| | | | | | 38 | 6.033 | 7.496 | 9.145 | 10.994 | 13.050 | 15.319 | 17.804 | | | | | | | |
| | | | | | 43 | | 6.748 | 8.258 | 9.957 | 11.854 | 13.958 | 16.275 | | | | | | | |

MBP

(1) G - Compressor 230V/1~/50Hz, fan 230V/1~/50Hz

E - Compressor 400V/3~/50Hz, fan 230V/1~/50Hz

(2) Nominal conditions (EN13215), Evaporating temperatures at dew point, Superheat 10K, Subcooling 0K

(3) Rated conditions (EN13215), Evaporating temperature (dew point) -10°C, Ambient air temperature +32°C, Return Gas Temperature 20°C, Subcooling 0K

SEPR, Seasonal Energy Performance Ratio

Q [kW], Cooling Capacity

P [kW], Power Input



For regular updates and detailed capacities, please refer to **Coolselector®2** software



| Model | Code | Version | Compressor | Electrical code (1) | Tamb [°C] | Cooling capacity Q [kW] (2) | | | | | | | EcoDesign (3) | | | | Sound power level dB(A) | Sound pressure level 10 m dB(A) |
|--------------|----------------------|------------|------------|---------------------|-----------|-----------------------------|-------|-------|-------|-------|-------|-------|---------------|--------|------|------|-------------------------|---------------------------------|
| | | | | | | Te [°C] | | | | | | | Q [kW] | P [kW] | COP | SEPR | | |
| | | | | | | -20°C | -15°C | -10°C | -5°C | 0°C | 5°C | 10°C | | | | | | |
| OP-MSYM018AJ | 114X7111 114X7136 | W05 W09 | CAJ9510Z | G | 27 | 1.020 | 1.315 | 1.665 | 2.079 | 2.564 | 3.126 | 3.772 | 1.588 | 0.860 | 1.85 | | 64 | 33 |
| | | | | | 32 | 0.928 | 1.202 | 1.526 | 1.910 | 2.360 | 2.884 | 3.487 | | | | | | |
| | | | | | 38 | - | - | 1.358 | 1.705 | 2.114 | 2.591 | 3.142 | | | | | | |
| | | | | | 43 | - | - | 1.216 | 1.533 | 1.907 | 2.345 | 2.852 | | | | | | |
| OP-MSYM024AJ | 114X7097 114X7194 | W05 W09 | CAJ9513Z | G | 27 | - | 1.649 | 2.109 | 2.647 | 3.267 | 3.974 | - | 1.995 | 0.994 | 2.01 | | 64 | 33 |
| | | | | | 32 | - | 1.491 | 1.916 | 2.413 | 2.988 | 3.645 | - | | | | | | |
| | | | | | 38 | - | 1.302 | 1.685 | 2.134 | 2.655 | 3.252 | - | | | | | | |
| | | | | | 43 | - | 1.143 | 1.493 | 1.902 | 2.377 | 2.924 | - | | | | | | |
| OP-MSYM026AJ | 114X7093 114X7192 | W05 W09 | TAJ4517Z | E | 27 | 1.417 | 1.840 | 2.328 | 2.893 | 3.541 | 4.278 | 5.109 | 2.211 | 1.169 | 1.89 | | 67 | 36 |
| | | | | | 32 | 1.267 | 1.664 | 2.122 | 2.649 | 3.253 | 3.943 | 4.721 | | | | | | |
| | | | | | 38 | 1.085 | 1.450 | 1.868 | 2.349 | 2.902 | 3.532 | 4.246 | | | | | | |
| | | | | | 43 | - | 1.270 | 1.654 | 2.096 | 2.603 | 3.184 | 3.843 | | | | | | |
| OP-MSYM026AJ | 114X7083 114X7190 | W05 W09 | CAJ4517Z | G | 27 | 1.442 | 1.848 | 2.322 | 2.876 | 3.515 | 4.246 | 5.071 | 2.210 | 1.113 | 1.99 | | 67 | 36 |
| | | | | | 32 | 1.304 | 1.681 | 2.121 | 2.634 | 3.228 | 3.908 | 4.678 | | | | | | |
| | | | | | 38 | 1.138 | 1.480 | 1.878 | 2.342 | 2.880 | 3.499 | 4.203 | | | | | | |
| | | | | | 43 | - | 1.311 | 1.674 | 2.097 | 2.589 | 3.156 | 3.804 | | | | | | |
| OP-MSYM034AJ | 114X7094 114X7193 | W05 W09 | TAJ4519Z | E | 27 | 1.797 | 2.297 | 2.873 | 3.534 | 4.286 | 5.133 | 6.077 | 2.746 | 1.490 | 1.84 | | 68 | 37 |
| | | | | | 32 | 1.625 | 2.094 | 2.631 | 3.245 | 3.944 | 4.732 | 5.612 | | | | | | |
| | | | | | 38 | 1.415 | 1.845 | 2.335 | 2.893 | 3.529 | 4.246 | 5.049 | | | | | | |
| | | | | | 43 | - | 1.633 | 2.083 | 2.595 | 3.177 | 3.834 | 4.571 | | | | | | |
| OP-MSYM034AJ | 114X7084 114X7191 | W05 W09 | CAJ4519Z | G | 27 | 1.796 | 2.318 | 2.917 | 3.605 | 4.387 | 5.269 | 6.251 | 2.784 | 1.563 | 1.78 | | 68 | 37 |
| | | | | | 32 | 1.619 | 2.107 | 2.666 | 3.305 | 4.031 | 4.851 | 5.766 | | | | | | |
| | | | | | 38 | 1.403 | 1.849 | 2.357 | 2.935 | 3.594 | 4.338 | 5.171 | | | | | | |
| | | | | | 43 | - | 1.631 | 2.094 | 2.621 | 3.222 | 3.901 | 4.663 | | | | | | |
| OP-MSXM034ML | 114X7062 114X7196 | W05 W09 | MLZ015T4 | E | 27 | 2.543 | 3.128 | 3.789 | 4.528 | 5.345 | 6.239 | 7.205 | 3.532 | 1.596 | 2.21 | | 69 | 38 |
| | | | | | 32 | 2.311 | 2.854 | 3.466 | 4.151 | 4.909 | 5.739 | 6.639 | | | | | | |
| | | | | | 38 | 2.020 | 2.509 | 3.062 | 3.680 | 4.365 | 5.117 | 5.937 | | | | | | |
| | | | | | 43 | 1.767 | 2.211 | 2.711 | 3.271 | 3.894 | 4.581 | 5.333 | | | | | | |
| OP-MSXM034ML | 114X7061 114X7195 | W05 W09 | MLZ015T5 | G | 27 | 2.660 | 3.222 | 3.858 | 4.568 | 5.354 | 6.216 | 7.152 | 3.646 | 1.684 | 2.16 | | 69 | 38 |
| | | | | | 32 | 2.461 | 2.983 | 3.575 | 4.238 | 4.973 | 5.781 | 6.664 | | | | | | |
| | | | | | 38 | 2.214 | 2.688 | 3.227 | 3.831 | 4.505 | 5.249 | 6.065 | | | | | | |
| | | | | | 43 | 2.003 | 2.436 | 2.929 | 3.485 | 4.106 | 4.796 | 5.557 | | | | | | |
| OP-MSXM044ML | 114X7162 114X7212 | W05 W09 | MLZ019T4 | E | 27 | 3.308 | 4.011 | 4.799 | 5.673 | 6.629 | 7.663 | 8.770 | 4.533 | 2.097 | 2.16 | | 69 | 38 |
| | | | | | 32 | 3.058 | 3.709 | 4.437 | 5.243 | 6.127 | 7.085 | 8.114 | | | | | | |
| | | | | | 38 | 2.746 | 3.330 | 3.983 | 4.706 | 5.501 | 6.367 | 7.302 | | | | | | |
| | | | | | 43 | 2.476 | 3.002 | 3.590 | 4.242 | 4.961 | 5.748 | 6.603 | | | | | | |
| OP-MSXM044ML | 114X7161 114X7211 | W05 W09 | MLZ019T5 | G | 27 | 3.374 | 4.081 | 4.876 | 5.757 | 6.723 | 7.770 | 8.893 | 3.532 | 1.596 | 2.21 | | 69 | 38 |
| | | | | | 32 | 3.116 | 3.771 | 4.506 | 5.320 | 6.214 | 7.185 | 8.230 | | | | | | |
| | | | | | 38 | 2.791 | 3.381 | 4.040 | 4.772 | 5.577 | 6.455 | 7.405 | | | | | | |
| | | | | | 43 | 2.508 | 3.040 | 3.635 | 4.296 | 5.025 | 5.824 | 6.694 | | | | | | |

MBP

(1) G - Compressor 230V/1~/50Hz, fan 230V/1~/50Hz
 E - Compressor 400V/3~/50Hz, fan 230V/1~/50Hz

(2) Nominal conditions (EN13215), Evaporating temperatures at dew point, Superheat 10K, Subcooling 0K

(3) Rated conditions (EN13215), Evaporating temperature (dew point) -10°C, Ambient air temperature +32°C, Return Gas Temperature 20°C, Subcooling 0K

SEPR, Seasonal Energy Performance Ratio

Q [kW], Cooling Capacity

P [kW], Power Input

* Preliminary data

This table continues on the next page



For regular updates and detailed capacities, please refer to **Coolselector®2** software



| Model | Code | Version | Compressor | Electrical code (1) | Tamb [°C] | Cooling capacity Q [kW] (2) | | | | | | | EcoDesign (3) | | | | Sound power level dB(A) | Sound pressure level 10 m dB(A) | |
|--------------|----------------------|------------|------------|---------------------|-----------|-----------------------------|-------|--------|--------|--------|--------|--------|---------------|--------|------|------|-------------------------|---------------------------------|--|
| | | | | | | Te [°C] | | | | | | | Q [kW] | P [kW] | COP | SEPR | | | |
| | | | | | | -20°C | -15°C | -10°C | -5°C | 0°C | 5°C | 10°C | | | | | | | |
| OP-MSXM046ML | 114X7064 114X7198 | W05 W09 | MLZ021T4 | E | 27 | 3.493 | 4.224 | 5.044 | 5.951 | 6.942 | 8.014 | 9.159 | | | | | | | |
| | | | | | 32 | 3.224 | 3.901 | 4.658 | 5.495 | 6.412 | 7.405 | 8.470 | 4.761 | 2.224 | 2.14 | | 69 | 38 | |
| | | | | | 38 | 2.886 | 3.494 | 4.172 | 4.923 | 5.748 | 6.645 | 7.612 | | | | | | | |
| | | | | | 43 | 2.592 | 3.139 | 3.749 | 4.426 | 5.172 | 5.987 | 6.871 | | | | | | | |
| OP-MSXM046ML | 114X7063 114X7197 | W05 W09 | MLZ021T5 | G | 27 | 3.425 | 4.224 | 5.114 | 6.096 | 7.164 | 8.312 | 9.534 | | | | | | | |
| | | | | | 32 | 3.194 | 3.940 | 4.768 | 5.678 | 6.667 | 7.730 | 8.862 | 4.877 | 2.346 | 2.08 | | 69 | 38 | |
| | | | | | 38 | 2.885 | 3.562 | 4.310 | 5.130 | 6.021 | 6.980 | 8.005 | | | | | | | |
| | | | | | 43 | 2.602 | 3.217 | 3.894 | 4.637 | 5.444 | 6.315 | 7.250 | | | | | | | |
| OP-MSXM057ML | 114X7065 114X7199 | W05 W09 | MLZ026T5 | G | 27 | 4.122 | 4.969 | 5.913 | 6.954 | 8.086 | 9.304 | 10.600 | | | | | | | |
| | | | | | 32 | 3.800 | 4.578 | 5.447 | 6.404 | 7.449 | 8.576 | 9.781 | 5.583 | 3.142 | 1.78 | 3.04 | 69 | 38 | |
| | | | | | 38 | 3.403 | 4.096 | 4.870 | 5.726 | 6.662 | 7.679 | 8.772 | | | | | | | |
| | | | | | 43 | 3.060 | 3.680 | 4.373 | 5.141 | 5.986 | 6.908 | 7.908 | | | | | | | |
| OP-MSXM057ML | 114X7066 114X7200 | W05 W09 | MLZ026T4 | E | 27 | 4.125 | 4.972 | 5.918 | 6.962 | 8.098 | 9.321 | 10.624 | | | | | | | |
| | | | | | 32 | 3.805 | 4.584 | 5.455 | 6.416 | 7.465 | 8.597 | 9.809 | 5.590 | 3.022 | 1.85 | 3.15 | 69 | 38 | |
| | | | | | 38 | 3.411 | 4.106 | 4.883 | 5.742 | 6.684 | 7.706 | 8.807 | | | | | | | |
| | | | | | 43 | 3.071 | 3.693 | 4.389 | 5.162 | 6.012 | 6.941 | 7.949 | | | | | | | |
| OP-MSXM068ML | 114X7068 114X7202 | W05 W09 | MLZ030T4 | E | 27 | 5.417 | 6.593 | 7.931 | 9.439 | 11.120 | 12.975 | 15.000 | | | | | | | |
| | | | | | 32 | 5.016 | 6.118 | 7.371 | 8.784 | 10.362 | 12.107 | 14.018 | 7.514 | 3.131 | 2.40 | 3.87 | 70 | 39 | |
| | | | | | 38 | 4.514 | 5.524 | 6.671 | 7.966 | 9.417 | 11.027 | 12.799 | | | | | | | |
| | | | | | 43 | 4.078 | 5.007 | 6.062 | 7.256 | 8.597 | 10.093 | 11.747 | | | | | | | |
| OP-MSXM068ML | 114X7067 114X7201 | W05 W09 | MLZ030T5 | G | 27 | 5.420 | 6.596 | 7.933 | 9.440 | 11.120 | 12.973 | 14.995 | | | | | | | |
| | | | | | 32 | 5.017 | 6.119 | 7.373 | 8.785 | 10.361 | 12.103 | 14.012 | 7.516 | 3.195 | 2.35 | 3.79 | 70 | 39 | |
| | | | | | 38 | 4.514 | 5.524 | 6.671 | 7.965 | 9.414 | 11.021 | 12.790 | | | | | | | |
| | | | | | 43 | 4.076 | 5.006 | 6.061 | 7.254 | 8.593 | 10.086 | 11.736 | | | | | | | |
| OP-MSXM080ML | 114X7069 114X7203 | W05 W09 | MLZ038T5 | G | 27 | 6.388 | 7.726 | 9.237 | 10.922 | 12.779 | 14.805 | 16.989 | | | | | | | |
| | | | | | 32 | 5.906 | 7.152 | 8.555 | 10.120 | 11.846 | 13.732 | 15.772 | 8.733 | 3.937 | 2.22 | 3.61 | 70 | 39 | |
| | | | | | 38 | 5.291 | 6.418 | 7.686 | 9.100 | 10.665 | 12.380 | 14.243 | | | | | | | |
| | | | | | 43 | 4.747 | 5.768 | 6.918 | 8.203 | 9.628 | 11.198 | 12.911 | | | | | | | |
| OP-MSXM080ML | 114X7070 114X7204 | W05 W09 | MLZ038T4 | E | 27 | 6.425 | 7.767 | 9.281 | 10.971 | 12.837 | 14.875 | 17.078 | | | | | | | |
| | | | | | 32 | 5.939 | 7.191 | 8.602 | 10.177 | 11.918 | 13.822 | 15.886 | 8.780 | 3.684 | 2.38 | 3.84 | 70 | 39 | |
| | | | | | 38 | 5.314 | 6.450 | 7.730 | 9.159 | 10.743 | 12.482 | 14.376 | | | | | | | |
| | | | | | 43 | 4.762 | 5.793 | 6.956 | 8.257 | 9.705 | 11.302 | 13.051 | | | | | | | |
| OP-MSXM099ML | 114X7071 114X7205 | W05 W09 | MLZ045T4 | E | 27 | 7.544 | 9.131 | 10.906 | 12.870 | 15.021 | 17.353 | 19.855 | | | | | | | |
| | | | | | 32 | 6.902 | 8.380 | 10.031 | 11.858 | 13.860 | 16.034 | 18.373 | 10.256 | 4.875 | 2.10 | 3.52 | 70 | 39 | |
| | | | | | 38 | 6.095 | 7.433 | 8.926 | 10.579 | 12.396 | 14.375 | 16.514 | | | | | | | |
| | | | | | 43 | 5.395 | 6.606 | 7.960 | 9.462 | 11.118 | 12.929 | 14.896 | | | | | | | |
| OP-MSXM108ML | 114X7072 114X7206 | W05 W09 | MLZ048T4 | E | 27 | 8.136 | 9.851 | 11.742 | 13.807 | 16.038 | 18.425 | 20.953 | | | | | | | |
| | | | | | 32 | 7.419 | 9.018 | 10.776 | 12.693 | 14.763 | 16.980 | 19.334 | 11.027 | 5.463 | 2.02 | 3.48 | 70 | 39 | |
| | | | | | 38 | 6.510 | 7.957 | 9.545 | 11.275 | 13.147 | 15.155 | 17.296 | | | | | | | |
| | | | | | 43 | 5.717 | 7.027 | 8.465 | 10.033 | 11.733 | 13.563 | 15.523 | | | | | | | |

MBP

(1) **G** - Compressor 230V/1~/50Hz, fan 230V/1~/50Hz
E - Compressor 400V/3~/50Hz, fan 230V/1~/50Hz

(2) Nominal conditions (EN13215), Evaporating temperatures at dew point, Superheat 10K, Subcooling 0K

(3) Rated conditions (EN13215), Evaporating temperature (dew point) -10°C, Ambient air temperature +32°C, Return Gas Temperature 20°C, Subcooling 0K

SEPR, Seasonal Energy Performance Ratio

Q [kW], Cooling Capacity

P [kW], Power Input

* Preliminary data



For regular updates and detailed capacities, please refer to **Coolselector®2** software



| Model | Code | Version | Compressor | Electrical code (1) | Tamb [°C] | Cooling capacity Q [kW] (2) | | | | | | | EcoDesign (3) | | | | Sound power level dB(A) | Sound pressure level 10 m dB(A) |
|--------------|----------------------|------------|------------|---------------------|-----------|-----------------------------|-------|-------|-------|-------|-------|--------|---------------|--------|------|------|-------------------------|---------------------------------|
| | | | | | | Te [°C] | | | | | | | Q [kW] | P [kW] | COP | SEPR | | |
| | | | | | | -20°C | -15°C | -10°C | -5°C | 0°C | 5°C | 10°C | | | | | | |
| OP-MSXM034ML | 114X7062 114X7196 | W05 W09 | MLZ015T4 | E | 27 | 2.297 | 2.872 | 3.545 | 4.322 | 5.210 | 6.211 | 7.326 | 3.351 | 1.536 | 2.18 | 69 | 38 | |
| | | | | | 32 | 2.112 | 2.653 | 3.288 | 4.024 | 4.865 | 5.815 | 6.876 | | | | | | |
| | | | | | 38 | 1.881 | 2.379 | 2.965 | 3.648 | 4.431 | 5.318 | 6.312 | | | | | | |
| | | | | | 43 | | 2.141 | 2.684 | 3.320 | 4.053 | 4.886 | 5.822 | | | | | | |
| OP-MSXM034ML | 114X7061 114X7195 | W05 W09 | MLZ015T5 | G | 27 | 2.326 | 2.908 | 3.588 | 4.374 | 5.271 | 6.282 | 7.408 | 3.392 | 1.560 | 2.17 | 69 | 38 | |
| | | | | | 32 | 2.138 | 2.686 | 3.328 | 4.071 | 4.921 | 5.881 | 6.952 | | | | | | |
| | | | | | 38 | 1.903 | 2.407 | 3.000 | 3.690 | 4.480 | 5.376 | 6.379 | | | | | | |
| | | | | | 43 | | 2.166 | 2.715 | 3.357 | 4.097 | 4.938 | 5.882 | | | | | | |
| OP-MSXM044ML | 114X7162 114X7212 | W05 W09 | MLZ019T4 | E | 27 | 2.851 | 3.553 | 4.369 | 5.304 | 6.362 | 7.543 | 8.846 | 4.122 | 2.078 | 1.98 | 69 | 38 | |
| | | | | | 32 | 2.612 | 3.270 | 4.036 | 4.917 | 5.915 | 7.031 | 8.264 | | | | | | |
| | | | | | 38 | 2.313 | 2.915 | 3.619 | 4.431 | 5.354 | 6.390 | 7.538 | | | | | | |
| | | | | | 43 | | 2.608 | 3.256 | 4.008 | 4.866 | 5.834 | 6.908 | | | | | | |
| OP-MSXM044ML | 114X7161 114X7211 | W05 W09 | MLZ019T5 | G | 27 | 2.836 | 3.534 | 4.346 | 5.276 | 6.328 | 7.503 | 8.799 | 4.098 | 2.205 | 1.86 | 69 | 38 | |
| | | | | | 32 | 2.596 | 3.250 | 4.012 | 4.888 | 5.880 | 6.989 | 8.214 | | | | | | |
| | | | | | 38 | 2.296 | 2.894 | 3.593 | 4.399 | 5.316 | 6.344 | 7.483 | | | | | | |
| | | | | | 43 | | 2.586 | 3.228 | 3.974 | 4.825 | 5.784 | 6.850 | | | | | | |
| OP-MSXM046ML | 114X7064 114X7198 | W05 W09 | MLZ021T4 | E | 27 | 2.968 | 3.727 | 4.597 | 5.584 | 6.691 | 7.919 | 9.265 | 4.364 | 2.204 | 1.98 | 69 | 38 | |
| | | | | | 32 | 2.732 | 3.451 | 4.274 | 5.206 | 6.252 | 7.413 | 8.687 | | | | | | |
| | | | | | 38 | 2.438 | 3.105 | 3.868 | 4.732 | 5.702 | 6.780 | 7.965 | | | | | | |
| | | | | | 43 | | 2.805 | 3.515 | 4.320 | 5.225 | 6.231 | 7.339 | | | | | | |
| OP-MSXM046ML | 114X7063 114X7197 | W05 W09 | MLZ021T5 | G | 27 | 3.021 | 3.794 | 4.678 | 5.680 | 6.803 | 8.047 | 9.411 | 4.440 | 2.248 | 1.97 | 69 | 38 | |
| | | | | | 32 | 2.781 | 3.512 | 4.348 | 5.294 | 6.355 | 7.531 | 8.820 | | | | | | |
| | | | | | 38 | 2.480 | 3.159 | 3.933 | 4.810 | 5.794 | 6.885 | 8.083 | | | | | | |
| | | | | | 43 | | 2.852 | 3.572 | 4.389 | 5.306 | 6.324 | 7.445 | | | | | | |
| OP-MSXM057ML | 114X7066 114X7200 | W05 W09 | MLZ026T4 | E | 27 | 3.575 | 4.477 | 5.501 | 6.652 | 7.929 | 9.331 | 10.849 | 5.214 | 2.788 | 1.87 | 3.01 | 69 | 38 |
| | | | | | 32 | 3.281 | 4.132 | 5.096 | 6.179 | 7.381 | 8.699 | 10.128 | | | | | | |
| | | | | | 38 | 2.912 | 3.698 | 4.588 | 5.586 | 6.693 | 7.909 | 9.229 | | | | | | |
| | | | | | 43 | | 3.320 | 4.144 | 5.068 | 6.094 | 7.223 | 8.448 | | | | | | |

MBP

(1) G - Compressor 230V/1~/50Hz, fan 230V/1~/50Hz

E - Compressor 400V/3~/50Hz, fan 230V/1~/50Hz

(2) Nominal conditions (EN13215), Evaporating temperatures at dew point, Superheat 10K, Subcooling 0K

(3) Rated conditions (EN13215), Evaporating temperature (dew point) -10°C, Ambient air temperature +32°C, Return Gas Temperature 20°C, Subcooling 0K

SEPR, Seasonal Energy Performance Ratio

Q [kW], Cooling Capacity

P [kW], Power Input

This table continues on the next page



For regular updates and detailed capacities, please refer to **Coolselector®2** software



| Model | Code | Version | Compressor | Electrical code (1) | Tamb [°C] | Cooling capacity Q [kW] (2) | | | | | | | EcoDesign (3) | | | | Sound power level dB(A) | Sound pressure level 10 m dB(A) |
|--------------|----------------------|------------|------------|---------------------|-----------|-----------------------------|-------|--------|--------|--------|--------|--------|---------------|--------|------|------|-------------------------|---------------------------------|
| | | | | | | Te [°C] | | | | | | | Q [kW] | P [kW] | COP | SEPR | | |
| | | | | | | -20°C | -15°C | -10°C | -5°C | 0°C | 5°C | 10°C | | | | | | |
| OP-MSXM057ML | 114X7065 114X7199 | W05 W09 | MLZ026T5 | G | 27 | 3.636 | 4.551 | 5.590 | 6.757 | 8.051 | 9.468 | 11.002 | 5.298 | 2.833 | 1.87 | 3.02 | 69 | 38 |
| | | | | | 32 | 3.336 | 4.199 | 5.178 | 6.275 | 7.492 | 8.824 | 10.267 | | | | | | |
| | | | | | 38 | 2.960 | 3.757 | 4.659 | 5.670 | 6.790 | 8.019 | 9.350 | | | | | | |
| | | | | | 43 | | 3.372 | 4.206 | 5.141 | 6.180 | 7.319 | 8.555 | | | | | | |
| OP-MSXM068ML | 114X7067 114X7201 | W05 W09 | MLZ030T5 | G | 27 | 4.657 | 5.759 | 7.057 | 8.559 | 10.269 | 12.191 | 14.322 | 6.722 | 3.117 | 2.16 | 3.46 | 70 | 39 |
| | | | | | 32 | 4.361 | 5.381 | 6.589 | 7.994 | 9.602 | 11.415 | 13.433 | | | | | | |
| | | | | | 38 | 4.021 | 4.938 | 6.034 | 7.318 | 8.798 | 10.476 | 12.354 | | | | | | |
| | | | | | 43 | | 4.579 | 5.576 | 6.756 | 8.124 | 9.687 | 11.445 | | | | | | |
| OP-MSXM068ML | 114X7068 114X7202 | W05 W09 | MLZ030T4 | E | 27 | 4.693 | 5.804 | 7.111 | 8.624 | 10.346 | 12.281 | 14.426 | 6.774 | 2.991 | 2.27 | 3.62 | 70 | 39 |
| | | | | | 32 | 4.395 | 5.424 | 6.642 | 8.057 | 9.677 | 11.503 | 13.534 | | | | | | |
| | | | | | 38 | 4.054 | 4.979 | 6.084 | 7.379 | 8.870 | 10.561 | 12.453 | | | | | | |
| | | | | | 43 | | 4.619 | 5.625 | 6.815 | 8.195 | 9.770 | 11.542 | | | | | | |
| OP-MSXM080ML | 114X7069 114X7203 | W05 W09 | MLZ038T5 | G | 27 | 5.297 | 6.531 | 7.978 | 9.644 | 11.533 | 13.643 | 15.969 | 7.601 | 3.817 | 1.99 | 3.22 | 70 | 39 |
| | | | | | 32 | 4.957 | 6.097 | 7.441 | 8.996 | 10.767 | 12.753 | 14.950 | | | | | | |
| | | | | | 38 | 4.568 | 5.588 | 6.801 | 8.217 | 9.841 | 11.674 | 13.713 | | | | | | |
| | | | | | 43 | | 5.176 | 6.275 | 7.570 | 9.066 | 10.767 | 12.669 | | | | | | |
| OP-MSXM080ML | 114X7070 114X7204 | W05 W09 | MLZ038T4 | E | 27 | 5.357 | 6.606 | 8.069 | 9.754 | 11.663 | 13.796 | 16.145 | 7.691 | 3.546 | 2.17 | 3.48 | 70 | 39 |
| | | | | | 32 | 5.016 | 6.170 | 7.530 | 9.104 | 10.895 | 12.904 | 15.126 | | | | | | |
| | | | | | 38 | 4.624 | 5.659 | 6.889 | 8.324 | 9.969 | 11.824 | 13.887 | | | | | | |
| | | | | | 43 | | 5.245 | 6.361 | 7.675 | 9.193 | 10.916 | 12.844 | | | | | | |
| OP-MSXM099ML | 114X7071 114X7205 | W05 W09 | MLZ045T4 | E | 27 | 6.413 | 8.067 | 9.958 | 12.096 | 14.490 | 17.138 | 20.039 | 9.357 | 4.629 | 2.02 | 3.31 | 70 | 39 |
| | | | | | 32 | 5.808 | 7.373 | 9.161 | 11.184 | 13.451 | 15.962 | 18.716 | | | | | | |
| | | | | | 38 | 5.060 | 6.514 | 8.175 | 10.057 | 12.169 | 14.514 | 17.091 | | | | | | |
| | | | | | 43 | | 5.776 | 7.328 | 9.090 | 11.071 | 13.275 | 15.704 | | | | | | |
| OP-MSXM108ML | 114X7072 114X7206 | W05 W09 | MLZ048T4 | E | 27 | 6.935 | 8.714 | 10.739 | 13.021 | 15.563 | 18.365 | 21.418 | 10.082 | 5.206 | 1.94 | 3.19 | 70 | 39 |
| | | | | | 32 | 6.269 | 7.949 | 9.862 | 12.019 | 14.424 | 17.077 | 19.972 | | | | | | |
| | | | | | 38 | 5.444 | 7.003 | 8.777 | 10.780 | 13.017 | 15.490 | 18.194 | | | | | | |
| | | | | | 43 | | 6.188 | 7.844 | 9.715 | 11.810 | 14.131 | 16.675 | | | | | | |

MBP

(1) G - Compressor 230V/1~/50Hz, fan 230V/1~/50Hz

E - Compressor 400V/3~/50Hz, fan 230V/1~/50Hz

(2) Nominal conditions (EN13215), Evaporating temperatures at dew point, Superheat 10K, Subcooling 0K

(3) Rated conditions (EN13215), Evaporating temperature (dew point) -10°C, Ambient air temperature +32°C, Return Gas Temperature 20°C, Subcooling 0K

SEPR, Seasonal Energy Performance Ratio

Q [kW], Cooling Capacity

P [kW], Power Input



For regular updates and detailed capacities, please refer to **Coolselector®2** software



| Model | Code | Version | Compressor | Electrical code (1) | Tamb [°C] | Cooling capacity Q [kW] (2) | | | | | | | EcoDesign (3) | | | | Sound power level dB(A) | Sound pressure level 10 m dB(A) |
|--------------|----------------------|------------|------------|---------------------|-----------|-----------------------------|-------|-------|-------|-------|-------|--------|---------------|--------|------|------|-------------------------|---------------------------------|
| | | | | | | Te [°C] | | | | | | | Q [kW] | P [kW] | COP | SEPR | | |
| | | | | | | -20°C | -15°C | -10°C | -5°C | 0°C | 5°C | 10°C | | | | | | |
| OP-MSXM034ML | 114X7062 114X7196 | W05 W09 | MLZ015T4 | E | 27 | 2.441 | 3.044 | 3.746 | 4.555 | 5.477 | 6.514 | 7.669 | 3.515 | 1.639 | 2.14 | 69 | 38 | |
| | | | | | 32 | 2.250 | 2.819 | 3.483 | 4.250 | 5.125 | 6.112 | 7.213 | | | | | | |
| | | | | | 38 | | 2.536 | 3.151 | 3.864 | 4.681 | 5.605 | 6.638 | | | | | | |
| | | | | | 43 | | | 2.861 | 3.526 | 4.292 | 5.161 | 6.136 | | | | | | |
| OP-MSXM034ML | 114X7061 114X7195 | W05 W09 | MLZ015T5 | G | 27 | 2.499 | 3.115 | 3.833 | 4.659 | 5.598 | 6.655 | 7.831 | 3.596 | 1.680 | 2.14 | 69 | 38 | |
| | | | | | 32 | 2.303 | 2.884 | 3.563 | 4.345 | 5.237 | 6.243 | 7.362 | | | | | | |
| | | | | | 38 | | 2.594 | 3.221 | 3.948 | 4.780 | 5.721 | 6.772 | | | | | | |
| | | | | | 43 | | | 2.924 | 3.602 | 4.381 | 5.266 | 6.257 | | | | | | |
| OP-MSXM044ML | 114X7162 114X7212 | W05 W09 | MLZ019T4 | E | 27 | 3.059 | 3.801 | 4.660 | 5.640 | 6.746 | 7.977 | 9.333 | 4.362 | 2.251 | 1.94 | 69 | 38 | |
| | | | | | 32 | 2.809 | 3.506 | 4.313 | 5.237 | 6.282 | 7.447 | 8.732 | | | | | | |
| | | | | | 38 | | 3.135 | 3.877 | 4.730 | 5.697 | 6.780 | 7.977 | | | | | | |
| | | | | | 43 | | | 3.497 | 4.286 | 5.187 | 6.199 | 7.321 | | | | | | |
| OP-MSXM044ML | 114X7161 114X7211 | W05 W09 | MLZ019T5 | G | 27 | 3.042 | 3.780 | 4.634 | 5.609 | 6.709 | 7.934 | 9.281 | 4.336 | 2.391 | 1.81 | 69 | 38 | |
| | | | | | 32 | 2.792 | 3.484 | 4.286 | 5.205 | 6.243 | 7.401 | 8.677 | | | | | | |
| | | | | | 38 | | 3.111 | 3.848 | 4.694 | 5.654 | 6.729 | 7.917 | | | | | | |
| | | | | | 43 | | | 3.465 | 4.248 | 5.140 | 6.143 | 7.255 | | | | | | |
| OP-MSXM046ML | 114X7064 114X7198 | W05 W09 | MLZ021T4 | E | 27 | 3.186 | 3.991 | 4.910 | 5.946 | 7.103 | 8.380 | 9.776 | 4.624 | 2.390 | 1.94 | 69 | 38 | |
| | | | | | 32 | 2.940 | 3.704 | 4.574 | 5.555 | 6.650 | 7.860 | 9.183 | | | | | | |
| | | | | | 38 | | 3.343 | 4.151 | 5.062 | 6.080 | 7.207 | 8.439 | | | | | | |
| | | | | | 43 | | | 3.781 | 4.631 | 5.583 | 6.637 | 7.792 | | | | | | |
| OP-MSXM046ML | 114X7063 114X7197 | W05 W09 | MLZ021T5 | G | 27 | 3.243 | 4.062 | 4.995 | 6.047 | 7.220 | 8.515 | 9.928 | 4.704 | 2.439 | 1.93 | 69 | 38 | |
| | | | | | 32 | 2.993 | 3.769 | 4.652 | 5.647 | 6.758 | 7.984 | 9.322 | | | | | | |
| | | | | | 38 | | 3.400 | 4.220 | 5.144 | 6.176 | 7.316 | 8.563 | | | | | | |
| | | | | | 43 | | | 3.842 | 4.704 | 5.668 | 6.734 | 7.902 | | | | | | |
| OP-MSXM057ML | 114X7066 114X7200 | W05 W09 | MLZ026T4 | E | 27 | 3.782 | 4.724 | 5.790 | 6.983 | 8.302 | 9.743 | 11.298 | 5.445 | 2.992 | 1.82 | 2.98 | 69 | 38 |
| | | | | | 32 | 3.479 | 4.370 | 5.375 | 6.499 | 7.742 | 9.100 | 10.567 | | | | | | |
| | | | | | 38 | | 3.923 | 4.852 | 5.889 | 7.037 | 8.293 | 9.650 | | | | | | |
| | | | | | 43 | | | 4.393 | 5.355 | 6.421 | 7.587 | | | | | | | |

MBP

(1) G - Compressor 230V/1~/50Hz, fan 230V/1~/50Hz
 E - Compressor 400V/3~/50Hz, fan 230V/1~/50Hz

(2) Nominal conditions (EN13215), Evaporating temperatures at dew point, Superheat 10K, Subcooling 0K

(3) Rated conditions (EN13215), Evaporating temperature (dew point) -10°C, Ambient air temperature +32°C, Return Gas Temperature 20°C, Subcooling 0K

SEPR, Seasonal Energy Performance Ratio

Q [kW], Cooling Capacity

P [kW], Power Input

This table continues on the next page



For regular updates and detailed capacities, please refer to **Coolselector®2** software



| Model | Code | Version | Compressor | Electrical code (1) | Tamb [°C] | Cooling capacity Q [kW] (2) | | | | | | | EcoDesign (3) | | | | Sound power level dB(A) | Sound pressure level 10 m dB(A) | |
|--------------|----------------------|------------|------------|---------------------|-----------|-----------------------------|-------|--------|--------|--------|--------|--------|---------------|--------|------|------|-------------------------|---------------------------------|--|
| | | | | | | Te [°C] | | | | | | | Q [kW] | P [kW] | COP | SEPR | | | |
| | | | | | | -20°C | -15°C | -10°C | -5°C | 0°C | 5°C | 10°C | | | | | | | |
| OP-MSXM057ML | 114X7065 114X7199 | W05 W09 | MLZ026T5 | G | 27 | 3.898 | 4.867 | 5.960 | 7.182 | 8.530 | 9.743 | 11.583 | | | | | | | |
| | | | | | 32 | 3.584 | 4.499 | 5.530 | 6.680 | 7.949 | 9.333 | 10.824 | 5.604 | 3.095 | 1.81 | 2.98 | 69 | 38 | |
| | | | | | 38 | | 4.035 | 4.986 | 6.047 | 7.218 | 8.495 | 9.873 | | | | | | | |
| | | | | | 43 | | | 4.510 | 5.493 | 6.578 | 7.764 | | | | | | | | |
| OP-MSXM068ML | 114X7067 114X7201 | W05 W09 | MLZ030T5 | G | 27 | 5.011 | 6.171 | 7.530 | 9.097 | 10.876 | 12.869 | 15.074 | | | | | | | |
| | | | | | 32 | 4.713 | 5.790 | 7.058 | 8.527 | 10.203 | 12.087 | 14.178 | 7.129 | 3.361 | 2.12 | 3.41 | 70 | 39 | |
| | | | | | 38 | | 5.344 | 6.497 | 7.843 | 9.389 | 11.137 | 13.088 | | | | | | | |
| | | | | | 43 | | | 6.036 | 7.275 | 8.708 | 10.339 | 12.168 | | | | | | | |
| OP-MSXM068ML | 114X7068 114X7202 | W05 W09 | MLZ030T4 | E | 27 | 5.049 | 6.219 | 7.588 | 9.166 | 10.958 | 12.964 | 15.184 | | | | | | | |
| | | | | | 32 | 4.750 | 5.836 | 7.115 | 8.595 | 10.282 | 12.180 | 14.286 | 7.186 | 3.224 | 2.23 | 3.58 | 70 | 39 | |
| | | | | | 38 | | 5.388 | 6.552 | 7.909 | 9.467 | 11.229 | 13.194 | | | | | | | |
| | | | | | 43 | | | 6.089 | 7.339 | 8.784 | 10.429 | 12.273 | | | | | | | |
| OP-MSXM080ML | 114X7069 114X7203 | W05 W09 | MLZ038T5 | G | 27 | 5.698 | 6.996 | 8.510 | 10.247 | 12.208 | 14.394 | 16.797 | | | | | | | |
| | | | | | 32 | 5.357 | 6.559 | 7.967 | 9.591 | 11.433 | 13.494 | 15.767 | 8.059 | 4.134 | 1.95 | 3.16 | 70 | 39 | |
| | | | | | 38 | | 6.046 | 7.321 | 8.803 | 10.496 | 12.400 | 14.513 | | | | | | | |
| | | | | | 43 | | | 6.791 | 8.148 | 9.710 | 11.480 | 13.453 | | | | | | | |
| OP-MSXM080ML | 114X7070 114X7204 | W05 W09 | MLZ038T4 | E | 27 | 5.713 | 7.016 | 8.534 | 10.277 | 12.245 | 14.438 | 16.850 | | | | | | | |
| | | | | | 32 | 5.372 | 6.579 | 7.993 | 9.623 | 11.473 | 13.541 | 15.824 | 8.084 | 3.938 | 2.05 | 3.32 | 70 | 39 | |
| | | | | | 38 | | 6.067 | 7.349 | 8.838 | 10.539 | 12.453 | 14.576 | | | | | | | |
| | | | | | 43 | | | 6.820 | 8.185 | 9.757 | 11.537 | 13.522 | | | | | | | |
| OP-MSXM099ML | 114X7071 114X7205 | W05 W09 | MLZ045T4 | E | 27 | 6.872 | 8.617 | 10.598 | 12.828 | 15.315 | 18.060 | 21.062 | | | | | | | |
| | | | | | 32 | 6.242 | 7.899 | 9.779 | 11.894 | 14.254 | 16.862 | 19.717 | 9.892 | 5.025 | 1.97 | 3.23 | 70 | 39 | |
| | | | | | 38 | | 7.005 | 8.759 | 10.733 | 12.939 | 15.380 | 18.057 | | | | | | | |
| | | | | | 43 | | | 7.876 | 9.732 | 11.807 | 14.107 | 16.634 | | | | | | | |
| OP-MSXM108ML | 114X7072 114X7206 | W05 W09 | MLZ048T4 | E | 27 | 7.187 | 9.007 | 11.068 | 13.382 | 15.956 | 18.789 | 21.877 | | | | | | | |
| | | | | | 32 | 6.517 | 8.243 | 10.196 | 12.389 | 14.829 | 17.517 | 20.450 | 10.322 | 5.568 | 1.85 | 3.07 | 70 | 39 | |
| | | | | | 38 | | 7.290 | 9.110 | 11.154 | 13.430 | 15.942 | 18.687 | | | | | | | |
| | | | | | 43 | | | 8.169 | 10.086 | 12.224 | 14.588 | 17.175 | | | | | | | |

MBP

(1) G - Compressor 230V/1~/50Hz, fan 230V/1~/50Hz

E - Compressor 400V/3~/50Hz, fan 230V/1~/50Hz

(2) Nominal conditions (EN13215), Evaporating temperatures at dew point, Superheat 10K, Subcooling 0K

(3) Rated conditions (EN13215), Evaporating temperature (dew point) -10°C, Ambient air temperature +32°C, Return Gas Temperature 20°C, Subcooling 0K

SEPR, Seasonal Energy Performance Ratio

Q [kW], Cooling Capacity

P [kW], Power Input



For regular updates and detailed capacities, please refer to **Coolselector®2** software



| Model | Code | Version | Compressor | Electrical code (1) | Tamb [°C] | Cooling capacity Q [kW] (2) | | | | | | | EcoDesign (3) | | | | Sound power level dB(A) | Sound pressure level 10 m dB(A) |
|--------------|----------------------|------------|------------|---------------------|-----------|-----------------------------|-------|-------|-------|-------|-------|-------|---------------|--------|------|------|-------------------------|---------------------------------|
| | | | | | | Te [°C] | | | | | | | Q [kW] | P [kW] | COP | SEPR | | |
| | | | | | | -20°C | -15°C | -10°C | -5°C | 0°C | 5°C | 10°C | | | | | | |
| OP-MSYM009MY | 114X7108 114X7133 | W05 W09 | MLY90RAB | G | 27 | 0.814 | 1.007 | 1.217 | 1.443 | 1.684 | 1.941 | | | | | | | |
| | | | | | 32 | 0.737 | 0.914 | 1.108 | 1.319 | 1.546 | 1.790 | 0.957 | 0.480 | 1.99 | | 63 | 32 | |
| | | | | | 38 | 0.644 | 0.802 | 0.978 | 1.171 | 1.381 | 1.609 | | | | | | | |
| | | | | | 43 | 0.568 | 0.709 | 0.869 | 1.047 | 1.244 | 1.459 | | | | | | | |
| OP-MSYM012MP | 114X7109 114X7134 | W05 W09 | MPT12RA | G | 27 | 1.115 | 1.365 | 1.631 | 1.914 | 2.213 | 2.526 | | | | | | | |
| | | | | | 32 | 1.010 | 1.239 | 1.486 | 1.751 | 2.033 | 2.331 | 1.300 | 0.646 | 2.01 | | 65 | 34 | |
| | | | | | 38 | 0.883 | 1.089 | 1.313 | 1.556 | 1.817 | 2.097 | | | | | | | |
| | | | | | 43 | 0.779 | 0.964 | 1.169 | 1.394 | 1.638 | 1.902 | | | | | | | |
| OP-MSYM014MP | 114X7110 114X7135 | W05 W09 | MPT14RA | G | 27 | 1.130 | 1.396 | 1.685 | 1.999 | 2.335 | 2.693 | | | | | | | |
| | | | | | 32 | 1.031 | 1.276 | 1.546 | 1.841 | 2.160 | 2.502 | 1.340 | 0.795 | 1.69 | | 60 | 29 | |
| | | | | | 38 | 0.913 | 1.133 | 1.380 | 1.652 | 1.950 | 2.274 | | | | | | | |
| | | | | | 43 | 0.814 | 1.014 | 1.241 | 1.494 | 1.775 | 2.084 | | | | | | | |
| OP-MSYM018AJ | 114X7111 114X7136 | W05 W09 | CAJ9510Z | G | 27 | 1.184 | 1.477 | 1.818 | 2.209 | 2.651 | 3.146 | 3.694 | | | | | | |
| | | | | | 32 | 1.078 | 1.351 | 1.666 | 2.024 | 2.429 | 2.881 | 3.382 | 1.746 | 0.903 | 1.93 | | 64 | 33 |
| | | | | | 38 | | | 1.480 | 1.800 | 2.160 | 2.561 | 3.005 | | | | | | |
| | | | | | 43 | | | 1.324 | 1.612 | 1.933 | 2.292 | 2.688 | | | | | | |
| OP-MSYM024AJ | 114X7097 114X7194 | W05 W09 | CAJ9513Z | G | 27 | 1.822 | 2.288 | 2.820 | 3.418 | 4.082 | 4.808 | | | | | | | |
| | | | | | 32 | 1.638 | 2.067 | 2.557 | 3.108 | 3.720 | 4.392 | 2.168 | 1.045 | 2.07 | | 64 | 33 | |
| | | | | | 38 | 1.417 | 1.804 | 2.243 | 2.738 | 3.288 | 3.895 | | | | | | | |
| | | | | | 43 | 1.235 | 1.586 | 1.983 | 2.431 | 2.930 | 3.482 | | | | | | | |
| OP-MSYM026AJ | 114X7093 114X7192 | W05 W09 | TAJ4517Z | E | 27 | 1.595 | 2.029 | 2.522 | 3.078 | 3.700 | 4.388 | 5.141 | | | | | | |
| | | | | | 32 | 1.416 | 1.824 | 2.285 | 2.802 | 3.379 | 4.017 | 4.717 | 2.398 | 1.231 | 1.95 | | 67 | 36 |
| | | | | | 38 | 1.199 | 1.575 | 1.996 | 2.465 | 2.987 | 3.565 | 4.200 | | | | | | |
| | | | | | 43 | | 1.368 | 1.754 | 2.182 | 2.657 | 3.184 | 3.765 | | | | | | |
| OP-MSYM026AJ | 114X7083 114X7190 | W05 W09 | CAJ4517Z | G | 27 | 1.626 | 2.039 | 2.517 | 3.061 | 3.674 | 4.356 | 5.104 | | | | | | |
| | | | | | 32 | 1.459 | 1.844 | 2.285 | 2.788 | 3.353 | 3.982 | 4.675 | 2.399 | 1.172 | 2.05 | | 67 | 36 |
| | | | | | 38 | 1.259 | 1.609 | 2.007 | 2.459 | 2.967 | 3.533 | 4.159 | | | | | | |
| | | | | | 43 | | 1.413 | 1.776 | 2.185 | 2.644 | 3.157 | 3.728 | | | | | | |
| OP-MSYM034AJ | 114X7094 114X7193 | W05 W09 | TAJ4519Z | E | 27 | 2.018 | 2.526 | 3.102 | 3.747 | 4.461 | 5.242 | 6.087 | | | | | | |
| | | | | | 32 | 1.811 | 2.287 | 2.823 | 3.420 | 4.079 | 4.799 | 5.581 | 2.970 | 1.573 | 1.89 | | 68 | 37 |
| | | | | | 38 | 1.559 | 1.997 | 2.484 | 3.023 | 3.616 | 4.264 | 4.969 | | | | | | |
| | | | | | 43 | | 1.753 | 2.199 | 2.689 | 3.227 | 3.815 | 4.456 | | | | | | |

MBP

(1) **G** - Compressor 230V/1~/50Hz, fan 230V/1~/50Hz

E - Compressor 400V/3~/50Hz, fan 230V/1~/50Hz

(2) Nominal conditions (EN13215), Evaporating temperatures at dew point, Superheat 10K, Subcooling 0K

(3) Rated conditions (EN13215), Evaporating temperature (dew point) -10°C, Ambient air temperature +32°C, Return Gas Temperature 20°C, Subcooling 0K

SEPR, Seasonal Energy Performance Ratio

Q [kW], Cooling Capacity

P [kW], Power Input

This table continues on the next page



For regular updates and detailed capacities, please refer to **Coolselector®2** software



| Model | Code | Version | Compressor | Electrical code (1) | Tamb [°C] | Cooling capacity Q [kW] (2) | | | | | | | EcoDesign (3) | | | | Sound power level dB(A) | Sound pressure level 10 m dB(A) |
|--------------|----------------------|------------|------------|---------------------|-----------|-----------------------------|-------|-------|-------|-------|-------|-------|---------------|--------|------|------|-------------------------|---------------------------------|
| | | | | | | Te [°C] | | | | | | | Q [kW] | P [kW] | COP | SEPR | | |
| | | | | | | -20°C | -15°C | -10°C | -5°C | 0°C | 5°C | 10°C | | | | | | |
| OP-MSYM034AJ | 114X7084 114X7191 | W05 W09 | CAJ4519Z | G | 27 | 2.015 | 2.547 | 3.147 | 3.819 | 4.563 | 5.376 | 6.257 | 3.008 | 1.650 | 1.82 | | 68 | 37 |
| | | | | | 32 | 1.802 | 2.300 | 2.859 | 3.480 | 4.166 | 4.916 | 5.729 | | | | | | |
| | | | | | 38 | 1.544 | 2.000 | 2.506 | 3.065 | 3.680 | 4.353 | 5.085 | | | | | | |
| | | | | | 43 | | 1.749 | 2.209 | 2.715 | 3.270 | 3.878 | 4.541 | | | | | | |
| OP-MSXM034ML | 114X7062 114X7196 | W05 W09 | MLZ015T4 | E | 27 | 2.502 | 3.081 | 3.734 | 4.463 | 5.272 | 6.158 | 7.121 | 3.580 | 1.693 | 2.11 | | 69 | 38 |
| | | | | | 32 | 2.251 | 2.793 | 3.398 | 4.073 | 4.820 | 5.640 | 6.535 | | | | | | |
| | | | | | 38 | 1.926 | 2.424 | 2.974 | 3.584 | 4.258 | 5.001 | 5.814 | | | | | | |
| | | | | | 43 | 1.634 | 2.095 | 2.600 | 3.157 | 3.772 | 4.451 | 5.198 | | | | | | |
| OP-MSXM034ML | 114X7061 114X7195 | W05 W09 | MLZ015T5 | G | 27 | 2.591 | 3.149 | 3.783 | 4.496 | 5.289 | 6.163 | 7.122 | 3.669 | 1.762 | 2.08 | | 69 | 38 |
| | | | | | 32 | 2.373 | 2.890 | 3.478 | 4.142 | 4.882 | 5.703 | 6.608 | | | | | | |
| | | | | | 38 | 2.101 | 2.569 | 3.102 | 3.705 | 4.383 | 5.139 | 5.981 | | | | | | |
| | | | | | 43 | 1.867 | 2.293 | 2.780 | 3.334 | 3.959 | 4.662 | 5.452 | | | | | | |
| OP-MSXM044ML | 114X7162 114X7212 | W05 W09 | MLZ019T4 | E | 27 | 3.235 | 3.925 | 4.696 | 5.556 | 6.511 | 7.563 | 8.716 | 4.556 | 2.203 | 2.07 | | 69 | 38 |
| | | | | | 32 | 2.959 | 3.596 | 4.307 | 5.101 | 5.985 | 6.964 | 8.044 | | | | | | |
| | | | | | 38 | 2.604 | 3.178 | 3.816 | 4.530 | 5.329 | 6.220 | 7.212 | | | | | | |
| | | | | | 43 | 2.289 | 2.808 | 3.385 | 4.032 | 4.759 | 5.576 | 6.497 | | | | | | |
| OP-MSXM044ML | 114X7161 114X7211 | W05 W09 | MLZ019T5 | G | 27 | 3.279 | 3.979 | 4.768 | 5.646 | 6.615 | 7.674 | 8.823 | 4.622 | 2.266 | 2.04 | | 69 | 38 |
| | | | | | 32 | 2.995 | 3.641 | 4.368 | 5.180 | 6.078 | 7.064 | 8.141 | | | | | | |
| | | | | | 38 | 2.634 | 3.213 | 3.865 | 4.595 | 5.407 | 6.305 | 7.294 | | | | | | |
| | | | | | 43 | 2.316 | 2.837 | 3.425 | 4.086 | 4.825 | 5.649 | 6.566 | | | | | | |
| OP-MSXM046ML | 114X7064 114X7198 | W05 W09 | MLZ021T4 | E | 27 | 3.404 | 4.124 | 4.928 | 5.824 | 6.815 | 7.905 | 9.099 | 4.778 | 2.350 | 2.03 | | 69 | 38 |
| | | | | | 32 | 3.108 | 3.772 | 4.514 | 5.340 | 6.257 | 7.271 | 8.390 | | | | | | |
| | | | | | 38 | 2.729 | 3.325 | 3.990 | 4.731 | 5.559 | 6.482 | 7.511 | | | | | | |
| | | | | | 43 | 2.392 | 2.930 | 3.529 | 4.199 | 4.952 | 5.798 | 6.754 | | | | | | |
| OP-MSXM046ML | 114X7063 114X7197 | W05 W09 | MLZ021T5 | G | 27 | 3.450 | 4.182 | 5.004 | 5.917 | 6.922 | 8.018 | 9.203 | 4.848 | 2.435 | 1.99 | | 69 | 38 |
| | | | | | 32 | 3.147 | 3.821 | 4.578 | 5.421 | 6.352 | 7.371 | 8.481 | | | | | | |
| | | | | | 38 | 2.762 | 3.365 | 4.043 | 4.800 | 5.640 | 6.567 | 7.586 | | | | | | |
| | | | | | 43 | 2.422 | 2.964 | 3.574 | 4.258 | 5.022 | 5.872 | 6.817 | | | | | | |

MBP

(1) **G** - Compressor 230V/1~/50Hz, fan 230V/1~/50Hz
E - Compressor 400V/3~/50Hz, fan 230V/1~/50Hz

(2) Nominal conditions (EN13215), Evaporating temperatures at dew point, Superheat 10K, Subcooling 0K

(3) Rated conditions (EN13215), Evaporating temperature (dew point) -10°C, Ambient air temperature +32°C, Return Gas Temperature 20°C, Subcooling 0K

SEPR, Seasonal Energy Performance Ratio

Q [kW], Cooling Capacity

P [kW], Power Input

This table continues on the next page



For regular updates and detailed capacities, please refer to **Coolselector®2** software



| Model | Code | Version | Compressor | Electrical code (1) | Tamb [°C] | Cooling capacity Q [kW] (2) | | | | | | | EcoDesign (3) | | | | Sound power level dB(A) | Sound pressure level 10 m dB(A) | |
|--------------|----------------------|------------|------------|---------------------|-----------|-----------------------------|-------|--------|--------|--------|--------|--------|---------------|--------|------|------|-------------------------|---------------------------------|--|
| | | | | | | Te [°C] | | | | | | | Q [kW] | P [kW] | COP | SEPR | | | |
| | | | | | | -20°C | -15°C | -10°C | -5°C | 0°C | 5°C | 10°C | | | | | | | |
| OP-MSXM057ML | 114X7065 114X7199 | W05 W09 | MLZ026T5 | G | 27 | 3.973 | 4.806 | 5.741 | 6.777 | 7.912 | 9.142 | 10.467 | | | | | | | |
| | | | | | 32 | 3.619 | 4.382 | 5.238 | 6.189 | 7.234 | 8.373 | 9.609 | 5.571 | 3.291 | 1.69 | 2.90 | 69 | 38 | |
| | | | | | 38 | 3.179 | 3.855 | 4.615 | 5.460 | 6.396 | 7.424 | 8.553 | | | | | | | |
| | | | | | 43 | 2.795 | 3.397 | 4.073 | 4.830 | 5.673 | 6.609 | 7.650 | | | | | | | |
| OP-MSXM057ML | 114X7066 114X7200 | W05 W09 | MLZ026T4 | E | 27 | 3.977 | 4.812 | 5.749 | 6.788 | 7.926 | 9.162 | 10.493 | | | | | | | |
| | | | | | 32 | 3.625 | 4.390 | 5.249 | 6.203 | 7.252 | 8.397 | 9.639 | 5.580 | 3.164 | 1.76 | 3.01 | 69 | 38 | |
| | | | | | 38 | 3.189 | 3.868 | 4.630 | 5.480 | 6.420 | 7.455 | 8.590 | | | | | | | |
| | | | | | 43 | 2.809 | 3.414 | 4.094 | 4.855 | 5.703 | 6.645 | 7.693 | | | | | | | |
| OP-MSXM068ML | 114X7068 114X7202 | W05 W09 | MLZ030T4 | E | 27 | 5.271 | 6.443 | 7.784 | 9.300 | 10.998 | 12.880 | 14.945 | | | | | | | |
| | | | | | 32 | 4.832 | 5.926 | 7.177 | 8.594 | 10.185 | 11.954 | 13.907 | 7.566 | 3.279 | 2.31 | 3.73 | 70 | 39 | |
| | | | | | 38 | 4.284 | 5.279 | 6.418 | 7.711 | 9.170 | 10.803 | 12.618 | | | | | | | |
| | | | | | 43 | 3.809 | 4.717 | 5.758 | 6.945 | 8.291 | 9.806 | 11.506 | | | | | | | |
| OP-MSXM068ML | 114X7067 114X7201 | W05 W09 | MLZ030T5 | G | 27 | 5.273 | 6.446 | 7.786 | 9.302 | 10.997 | 12.876 | 14.938 | | | | | | | |
| | | | | | 32 | 4.832 | 5.927 | 7.178 | 8.594 | 10.182 | 11.949 | 13.898 | 7.568 | 3.353 | 2.26 | 3.66 | 70 | 39 | |
| | | | | | 38 | 4.283 | 5.278 | 6.417 | 7.709 | 9.166 | 10.795 | 12.606 | | | | | | | |
| | | | | | 43 | 3.806 | 4.714 | 5.755 | 6.941 | 8.284 | 9.797 | 11.492 | | | | | | | |
| OP-MSXM080ML | 114X7069 114X7203 | W05 W09 | MLZ038T5 | G | 27 | 6.066 | 7.469 | 9.041 | 10.768 | 12.634 | 14.626 | 16.730 | | | | | | | |
| | | | | | 32 | 5.504 | 6.806 | 8.273 | 9.892 | 11.650 | 13.536 | 15.538 | 8.735 | 4.027 | 2.17 | 3.33 | 70 | 39 | |
| | | | | | 38 | 4.826 | 5.992 | 7.319 | 8.797 | 10.415 | 12.164 | 14.039 | | | | | | | |
| | | | | | 43 | 4.268 | 5.307 | 6.506 | 7.857 | 9.349 | 10.976 | 12.738 | | | | | | | |
| OP-MSXM080ML | 114X7070 114X7204 | W05 W09 | MLZ038T4 | E | 27 | 6.238 | 7.571 | 9.084 | 10.780 | 12.662 | 14.727 | 16.973 | | | | | | | |
| | | | | | 32 | 5.708 | 6.948 | 8.353 | 9.930 | 11.682 | 13.612 | 15.720 | 8.822 | 3.856 | 2.29 | 3.71 | 70 | 39 | |
| | | | | | 38 | 5.026 | 6.146 | 7.415 | 8.842 | 10.434 | 12.197 | 14.137 | | | | | | | |
| | | | | | 43 | 4.423 | 5.435 | 6.584 | 7.881 | 9.335 | 10.956 | 12.755 | | | | | | | |
| OP-MSXM099ML | 114X7071 114X7205 | W05 W09 | MLZ045T4 | E | 27 | 7.288 | 8.825 | 10.553 | 12.472 | 14.580 | 16.875 | 19.357 | | | | | | | |
| | | | | | 32 | 6.643 | 8.055 | 9.648 | 11.422 | 13.379 | 15.521 | 17.853 | 10.216 | 5.001 | 2.04 | 3.37 | 70 | 39 | |
| | | | | | 38 | 5.823 | 7.082 | 8.508 | 10.106 | 11.880 | 13.836 | 15.989 | | | | | | | |
| | | | | | 43 | 5.100 | 6.228 | 7.513 | 8.960 | 10.580 | 12.381 | 14.387 | | | | | | | |
| OP-MSXM108ML | 114X7072 114X7206 | W05 W09 | MLZ048T4 | E | 27 | 7.856 | 9.491 | 11.303 | 13.308 | 15.517 | 17.940 | 20.584 | | | | | | | |
| | | | | | 32 | 7.147 | 8.653 | 10.321 | 12.168 | 14.209 | 16.459 | 18.932 | 10.943 | 5.478 | 2.00 | 3.31 | 70 | 39 | |
| | | | | | 38 | 6.248 | 7.596 | 9.087 | 10.742 | 12.581 | 14.623 | 16.892 | | | | | | | |
| | | | | | 43 | 5.457 | 6.671 | 8.012 | 9.504 | 11.172 | 13.041 | 15.144 | | | | | | | |

MBP

(1) G - Compressor 230V/1~/50Hz, fan 230V/1~/50Hz

E - Compressor 400V/3~/50Hz, fan 230V/1~/50Hz

(2) Nominal conditions (EN13215), Evaporating temperatures at dew point, Superheat 10K, Subcooling 0K

(3) Rated conditions (EN13215), Evaporating temperature (dew point) -10°C, Ambient air temperature +32°C, Return Gas Temperature 20°C, Subcooling 0K

SEPR, Seasonal Energy Performance Ratio

Q [kW], Cooling Capacity

P [kW], Power Input



For regular updates and detailed capacities, please refer to **Coolselector®2** software



| Application | Code | | Model | Compressor Model | Electrical Code (1) | Refrigerant (2) | Condenser Coil | | | Fan | | Receiver | Dimensions | | | | | Weight | | |
|-------------|----------|----------|--------------|------------------|---------------------|-----------------|----------------|--------------------------------|---------------------------------------|--------|-----------------|---------------|------------|--------------|-------------|-------------|----------------------|---------------------|-------------|-----------|
| | | | | | | | Type | Airflow (m ² /h) | Internal Volume (dm ³) | Number | Blade ø (mm) | Volume (L) | Housing | Height mm | Width mm | Depth mm | Suction line inch | Liquid Line inch | Gross Kg | Net Kg |
| | W05 | W09 | | | | | | | | | | | | | | | | | | |
| LBP | 114X7106 | 114X7129 | OP-LSQM014MP | MPT14LA | G | Q | A7 | 2,200 | 0.4 | 1 | 365 | 1.3 | B1 | 530 | 910 | 364 | 3/8" | 3/8" | 64.4 | 50.9 |
| LBP | 114X7107 | 114X7130 | OP-LSQM018MP | MPT16LA | G | Q | A7 | 2,200 | 0.4 | 1 | 365 | 1.3 | B1 | 530 | 910 | 364 | 3/8" | 3/8" | 64.6 | 51.1 |
| LBP | 114X7085 | 114X7179 | OP-LSQM026AJ | CAJ2446Z | G | Q | D7 | 3,300 | 0.6 | 1 | 450 | 3.4 | B2 | 690 | 1087 | 464 | 1/2" | 1/2" | 76.7 | 61.5 |
| LBP | 114X7086 | 114X7180 | OP-LSQM034AJ | CAJ2464Z | G | Q | D7 | 3,300 | 0.6 | 1 | 450 | 3.4 | B2 | 690 | 1087 | 464 | 1/2" | 1/2" | 76.7 | 61.5 |
| LBP | 114X7087 | 114X7181 | OP-LSQM048NT | NTZ048-5 | G | Q | D7 | 3,300 | 0.6 | 1 | 450 | 3.4 | B2 | 690 | 1087 | 464 | 5/8" | 1/2" | 77.0 | 62.0 |
| LBP | 114X7088 | 114X7182 | OP-LSQM048NT | NTZ048-4 | E | Q | D7 | 3,300 | 0.6 | 1 | 450 | 3.4 | B2 | 690 | 1087 | 464 | 5/8" | 1/2" | 77.0 | 62.0 |
| LBP | 114X7095 | 114X7185 | OP-LSQM074FH | FH2511Z | G | Q | D7 | 3,300 | 0.6 | 1 | 450 | 3.4 | B2 | 690 | 1087 | 464 | 5/8" | 1/2" | 92.0 | 77.0 |
| LBP | 114X7096 | 114X7186 | OP-LSQM074FH | TFH2511Z | E | Q | D7 | 3,300 | 0.6 | 1 | 450 | 3.4 | B2 | 690 | 1087 | 464 | 5/8" | 1/2" | 88.0 | 73.0 |
| LBP | 114X7089 | 114X7183 | OP-LSQM068NT | NTZ068-5 | G | Q | D7 | 3,300 | 0.6 | 1 | 450 | 3.4 | B2 | 690 | 1087 | 464 | 5/8" | 1/2" | 79.0 | 64.0 |
| LBP | 114X7090 | 114X7184 | OP-LSQM068NT | NTZ068-4 | E | Q | D7 | 3,300 | 0.6 | 1 | 450 | 3.4 | B2 | 690 | 1087 | 464 | 5/8" | 1/2" | 80.0 | 65.0 |
| LBP | 114X7091 | 114X7187 | OP-LSQM067LL | LLZ013T4 | E | Q | G7 | 5,200 | 1.6 | 1 | 500 | 6.2 | B3 | 825 | 1105 | 464 | 3/4" | 1/2" | 97.0 | 78.0 |
| LBP | 114X7092 | 114X7188 | OP-LSQM084LL | LLZ015T4 | E | Q | G7 | 5,200 | 1.6 | 1 | 500 | 6.2 | B3 | 825 | 1105 | 464 | 3/4" | 1/2" | 97.0 | 78.0 |
| LBP | 114X7075 | 114X7189 | OP-LSQM098LL | LLZ018T4 | E | Q | G7 | 5,200 | 1.6 | 1 | 500 | 6.2 | B3 | 825 | 1105 | 464 | 3/4" | 1/2" | 97.0 | 78.0 |
| MBP | 114X7099 | 114X7207 | OP-MSGM012SC | SC12G | G | G | A7 | 2,200 | 0.4 | 1 | 365 | 1.3 | B1 | 530 | 910 | 364 | 3/8" | 3/8" | 65.5 | 52.0 |
| MBP | 114X7100 | 114X7208 | OP-MSGM015SC | SC15G | G | G | A7 | 2,200 | 0.4 | 1 | 365 | 1.3 | B1 | 530 | 910 | 364 | 3/8" | 3/8" | 65.5 | 52.0 |
| MBP | 114X7101 | 114X7131 | OP-MSGM018SC | SC18G | G | G | A7 | 2,200 | 0.4 | 1 | 365 | 1.3 | B1 | 530 | 910 | 364 | 3/8" | 3/8" | 66.5 | 53.0 |
| MBP | 114X7108 | 114X7133 | OP-MSYM009MY | MLY90RAB | G | Y | A7 | 2,200 | 0.4 | 1 | 365 | 1.3 | B1 | 530 | 910 | 364 | 3/8" | 3/8" | 63.9 | 50.4 |
| MBP | 114X7104 | 114X7210 | OP-MSGM033AJ | CAJ4511Y | G | G | D7 | 3,300 | 0.6 | 1 | 450 | 3.4 | B2 | 690 | 1087 | 464 | 1/2" | 1/2" | 79.0 | 64.0 |
| MBP | 114X7111 | 114X7136 | OP-MSYM018AJ | CAJ9510Z | G | Y | D7 | 3,300 | 0.6 | 1 | 450 | 3.4 | B2 | 690 | 1087 | 464 | 1/2" | 1/2" | 77.0 | 62.0 |
| MBP | 114X7102 | 114X7132 | OP-MSGM021SC | SC21G | G | G | A7 | 2,200 | 0.4 | 1 | 365 | 1.3 | B1 | 530 | 910 | 364 | 3/8" | 3/8" | 66.5 | 53.0 |
| MBP | 114X7109 | 114X7134 | OP-MSYM012MP | MPT12RA | G | Y | A7 | 2,200 | 0.4 | 1 | 365 | 1.3 | B1 | 530 | 910 | 364 | 3/8" | 3/8" | 64.3 | 50.8 |
| MBP | 114X7103 | 114X7209 | OP-MSGM026AJ | CAJ4492Y | G | G | D7 | 3,300 | 0.6 | 1 | 450 | 3.4 | B2 | 690 | 1087 | 464 | 1/2" | 1/2" | 78.0 | 62.5 |
| MBP | 114X7110 | 114X7135 | OP-MSYM014MP | MPT14RA | G | Y | A7 | 2,200 | 0.4 | 1 | 365 | 1.3 | B1 | 530 | 910 | 364 | 3/8" | 3/8" | 65.0 | 51.5 |
| MBP | 114X7097 | 114X7194 | OP-MSYM024AJ | CAJ9513Z | G | Y | D7 | 3,300 | 0.6 | 1 | 450 | 3.4 | B2 | 690 | 1087 | 464 | 1/2" | 1/2" | 78.0 | 63.0 |
| MBP | 114X7093 | 114X7192 | OP-MSYM026AJ | TAJ4517Z | E | Y | D7 | 3,300 | 0.6 | 1 | 450 | 3.4 | B2 | 690 | 1087 | 464 | 1/2" | 1/2" | 74.4 | 59.2 |
| MBP | 114X7083 | 114X7190 | OP-MSYM026AJ | CAJ4517Z | G | Y | D7 | 3,300 | 0.6 | 1 | 450 | 3.4 | B2 | 690 | 1087 | 464 | 1/2" | 1/2" | 77.7 | 62.5 |
| MBP | 114X7094 | 114X7193 | OP-MSYM034AJ | TAJ4519Z | E | Y | D7 | 3,300 | 0.6 | 1 | 450 | 3.4 | B2 | 690 | 1087 | 464 | 1/2" | 1/2" | 76.7 | 61.5 |
| MBP | 114X7084 | 114X7191 | OP-MSYM034AJ | CAJ4519Z | G | Y | D7 | 3,300 | 0.6 | 1 | 450 | 3.4 | B2 | 690 | 1087 | 464 | 1/2" | 1/2" | 77.7 | 62.5 |
| MBP | 114X7062 | 114X7196 | OP-MSXM034ML | MLZ015T4 | E | X | D7 | 3,300 | 0.6 | 1 | 450 | 3.4 | B2 | 690 | 1087 | 464 | 3/4" | 1/2" | 85.0 | 70.0 |
| MBP | 114X7061 | 114X7195 | OP-MSXM034ML | MLZ015T5 | G | X | D7 | 3,300 | 0.6 | 1 | 450 | 3.4 | B2 | 690 | 1087 | 464 | 3/4" | 1/2" | 85.0 | 70.0 |
| MBP | 114X7162 | 114X7212 | OP-MSXM044ML | MLZ019T4 | E | X | D7 | 3,300 | 0.6 | 1 | 450 | 3.4 | B2 | 690 | 1087 | 464 | 3/4" | 1/2" | 85.0 | 70.0 |
| MBP | 114X7161 | 114X7211 | OP-MSXM044ML | MLZ019T5 | G | X | D7 | 3,300 | 0.6 | 1 | 450 | 3.4 | B2 | 690 | 1087 | 464 | 3/4" | 1/2" | 85.0 | 70.0 |
| MBP | 114X7064 | 114X7198 | OP-MSXM046ML | MLZ021T4 | E | X | D7 | 3,300 | 0.6 | 1 | 450 | 3.4 | B2 | 690 | 1087 | 464 | 3/4" | 1/2" | 85.0 | 70.0 |
| MBP | 114X7063 | 114X7197 | OP-MSXM046ML | MLZ021T5 | G | X | D7 | 3,300 | 0.6 | 1 | 450 | 3.4 | B2 | 690 | 1087 | 464 | 3/4" | 1/2" | 85.0 | 70.0 |
| MBP | 114X7065 | 114X7199 | OP-MSXM057ML | MLZ026T5 | G | X | D7 | 3,300 | 0.6 | 1 | 450 | 3.4 | B2 | 690 | 1087 | 464 | 3/4" | 1/2" | 85.0 | 70.0 |
| MBP | 114X7066 | 114X7200 | OP-MSXM057ML | MLZ026T4 | E | X | D7 | 3,300 | 0.6 | 1 | 450 | 3.4 | B2 | 690 | 1087 | 464 | 3/4" | 1/2" | 85.0 | 70.0 |
| MBP | 114X7068 | 114X7202 | OP-MSXM068ML | MLZ030T4 | E | X | G7 | 5,200 | 1.6 | 1 | 500 | 6.2 | B3 | 825 | 1105 | 464 | 7/8" | 1/2" | 95.0 | 76.0 |
| MBP | 114X7067 | 114X7201 | OP-MSXM068ML | MLZ030T5 | G | X | G7 | 5,200 | 1.6 | 1 | 500 | 6.2 | B3 | 825 | 1105 | 464 | 7/8" | 1/2" | 95.0 | 76.0 |
| MBP | 114X7069 | 114X7203 | OP-MSXM080ML | MLZ038T5 | G | X | G7 | 5,200 | 1.6 | 1 | 500 | 6.2 | B3 | 825 | 1105 | 464 | 7/8" | 1/2" | 96.0 | 77.0 |
| MBP | 114X7070 | 114X7204 | OP-MSXM080ML | MLZ038T4 | E | X | G7 | 5,200 | 1.6 | 1 | 500 | 6.2 | B3 | 825 | 1105 | 464 | 7/8" | 1/2" | 96.0 | 77.0 |
| MBP | 114X7071 | 114X7205 | OP-MSXM099ML | MLZ045T4 | E | X | G7 | 5,200 | 1.6 | 1 | 500 | 6.2 | B3 | 825 | 1105 | 464 | 7/8" | 1/2" | 98.0 | 79.0 |
| MBP | 114X7072 | 114X7206 | OP-MSXM108ML | MLZ048T4 | E | X | G7 | 5,200 | 1.6 | 1 | 500 | 6.2 | B3 | 825 | 1105 | 464 | 7/8" | 1/2" | 98.0 | 79.0 |

(1) G - Compressor 230V/1~/50Hz, fan 230V/1~/50Hz

E - Compressor 400V/3~/50Hz, fan 230V/1~/50Hz

(2) G - R134a

X - R134a, R404A/R507, R407A, R407F, R449A, R448A

Y - R404A/R507, R449A

Q - R404A/R507, R452A

H - R404A/R507

| Designation | | LSQM026AJ | LSQM034AJ | LSQM048NT | LSQM048NT | LSQM068NT | LSQM068NT | LSQM067LL |
|-------------------------------------|-----|------------|------------|------------|------------|------------|------------|-------------|
| Code Number | W05 | 114X7085 | 114X7086 | 114X7087 | 114X7088 | 114X7089 | 114X7090 | 114X7091 |
| | W09 | 114X7179 | 114X7180 | 114X7181 | 114X7182 | 114X7183 | 114X7184 | 114X7187 |
| Compressor Description | | CAJ2446Z | CAJ2464Z | NTZ048-5 | NTZ048-4 | NTZ068-5 | NTZ068-4 | LLZ013T4 |
| Oil | | RL32HA/HT | RL32HA/HT | 175PZ-POE | 175PZ-POE | 175PZ-POE | 175PZ-POE | 215PZ-POE46 |
| Housing | | B2 | B2 | B2 | B2 | B2 | B2 | B3 |
| Spare Parts | | | | | | | | |
| Compressor single pack | | 118U3992 | 118U3990 | 120F0228 | 120F0226 | 120F0232 | 120F0230 | 121L9535 |
| Condenser | | 118U3493 | 118U3493 | 118U3493 | 118U3493 | 118U3493 | 118U3493 | 118U3494 |
| Dual pressure switch | | 060-539766 | 060-539766 | 060-539766 | 060-539766 | 060-539766 | 060-539766 | 060-539766 |
| Fan assembly | | | | | | | | 118U3829 |
| Fan blade | | 118U3481 | 118U3481 | 118U3481 | 118U3481 | 118U3481 | 118U3481 | |
| Fan capacitor | | 118U3297 | 118U3297 | 118U3297 | 118U3297 | 118U3297 | 118U3297 | |
| Fan cowl/grill | | 118U3484 | 118U3484 | 118U3484 | 118U3484 | 118U3484 | 118U3484 | 118U3485 |
| Fan motor | | 118U3823 | 118U3823 | 118U3823 | 118U3823 | 118U3823 | 118U3823 | 118U3829 |
| Filter drier | | 023Z5041 | 023Z5041 | 023Z5041 | 023Z5041 | 023Z5041 | 023Z5041 | 023Z5044 |
| Liquid valve | | 118U3761 | 118U3761 | 118U3761 | 118U3761 | 118U3761 | 118U3761 | 118U3761 |
| Receiver | | 118U3475 | 118U3475 | 118U3475 | 118U3475 | 118U3475 | 118U3475 | 118U3476 |
| Sight glass | | 014L0173 | 014L0173 | 014L0173 | 014L0173 | 014L0173 | 014L0173 | 014L0173 |
| Suction valve | | 118U3761 | 118U3761 | 118U3764 | 118U3764 | 118U3764 | 118U3764 | 118U3762 |
| Electrical Spare Parts | | | | | | | | |
| Crankcase heater | | 120Z0057 | 120Z0057 | 120Z0459 | 120Z0459 | 120Z0459 | 120Z0459 | 120Z5040 |
| Contact kit | | 118U3893 | 118U3894 | 118U3894 | 118U3893 | 118U3895 | 118U3893 | 118U3896 |
| Main switch kit | W05 | 118U3976 | 118U3976 | 118U3976 | 118U3872 | 118U3869 | 118U3873 | 118U3873 |
| | W09 | 118U3851 | 118U3852 | 118U3852 | 118U3853 | 118U3854 | 118U3851 | 118U3852 |
| Overload relay | | 118U3876 | 118U3877 | 118U3877 | 118U3978 | 118U3879 | 118U3876 | 118U3877 |
| Run capacitor | | | | 8173041 | | 8173041 | | |
| Starting capacitor | | 118U5191 | 118U5192 | 8173001 | | 8173001 | | |
| Starting relay | | | | 8173022 | | 8173022 | | |
| Sequence phase relay | | | | | | | | 118U3882 |
| Isolator switch assembly | W09 | 118U5117 | 118U5117 | 118U5117 | 118U5117 | 118U5117 | 118U5117 | 118U5120 |
| Premounted FSC | W09 | 061H3144 | 061H3144 | 061H3144 | 061H3144 | 061H3144 | 061H3144 | 061H3144 |
| Electrical Characteristics | | | | | | | | |
| Wiring Diagram | W05 | WD2 | WD2 | WD2 | WD7 | WD2 | WD7 | WD5 |
| | W09 | WD12 | WD12 | WD12 | WD11 | WD12 | WD11 | WD13 |
| LRA Compressor [A] | | 29 | 40 | 37 | 16 | 53 | 25 | 62 |
| MCC Compressor [A] | | 7.9 | 10 | 11 | 4.8 | 17 | 8.4 | 12 |
| Max cont.power [kW] | | 1.4 | 1.87 | 2.19 | 2.28 | 3.62 | 3.57 | 4.59 |
| MCC Fan [A] | | 0.47 | 0.47 | 0.47 | 0.47 | 0.47 | 0.47 | 0.97 |
| Fan Power [W] | | 1x68 | 1x68 | 1x68 | 1x68 | 1x68 | 1x68 | 1x130 |
| Min Fuse rating gL/gG (A) | | 10 | 16 | 16 | 10 | 25 | 16 | 16 |
| Accessories (Not Premounted) | | | | | | | | |
| Acoustic hood | | | | 120Z0575 | 120Z0575 | 120Z0575 | 120Z0575 | 120Z5052 |
| FSC Male connection | | 061H3142 | 061H3142 | 061H3142 | 061H3142 | 061H3142 | 061H3142 | 061H3142 |
| FSC Female connection | | 061H3140 | 061H3140 | 061H3140 | 061H3140 | 061H3140 | 061H3140 | 061H3140 |
| Sheet Metal | | | | | | | | |
| Top panel | | 118U5146 | 118U5146 | 118U5146 | 118U5146 | 118U5146 | 118U5146 | 118U5151 |
| Fan panel | | 118U5147 | 118U5147 | 118U5147 | 118U5147 | 118U5147 | 118U5147 | 118U5152 |
| Back panel | | 118U5148 | 118U5148 | 118U5148 | 118U5148 | 118U5148 | 118U5148 | 118U5153 |
| Left side panel | | 118U5168 | 118U5168 | 118U5168 | 118U5168 | 118U5168 | 118U5168 | 118U5169 |
| Service panel | W05 | 118U5149 | 118U5149 | 118U5149 | 118U5149 | 118U5149 | 118U5149 | 118U5154 |
| | W09 | 118U5157 | 118U5157 | 118U5157 | 118U5157 | 118U5157 | 118U5157 | 118U5158 |

MCC - Max Continuous Current
LRA - Locked Rotor Amps
FSC - Fan Speed Controller

| Designation | | LSQM084LL | LSQM098LL | LSQM074FH | LSQM074FH | LSQM014MP | LSQM018MP |
|-------------------------------------|-----|-------------|-------------|------------|------------|------------|------------|
| Code Number | W05 | 114X7092 | 114X7075 | 114X7095 | 114X7096 | 114X7106 | 114X7107 |
| | W09 | 114X7188 | 114X7189 | 114X7185 | 114X7186 | 114X7129 | 114X7130 |
| Compressor Description | | LLZ015T4 | LLZ018T4 | FH2511Z | TFH2511Z | MPT14LA | MPT16LA |
| Oil | | 215PZ-POE46 | 215PZ-POE46 | RL32HA/HT | RL32HA/HT | POE32 | POE32 |
| Housing | | B3 | B3 | B2 | B2 | B1 | B1 |
| Spare Parts | | | | | | | |
| Compressor single pack | | 121L9537 | 121L9539 | 118U3914 | 118U3915 | 123B2126 | 123B2127 |
| Condenser | | 118U3494 | 118U3494 | 118U3493 | 118U3493 | 118U3492 | 118U3492 |
| Dual pressure switch | | 060-539766 | 060-539766 | 060-539766 | 060-539766 | 060-539766 | 060-539766 |
| Fan assembly | | 118U3829 | 118U3829 | | | | |
| Fan blade | | | | 118U3481 | 118U3481 | 118U3480 | 118U3480 |
| Fan capacitor | | | | 118U3297 | 118U3297 | 118U3296 | 118U3296 |
| Fan cowl/grill | | 118U3485 | 118U3485 | 118U3484 | 118U3484 | 118U3483 | 118U3483 |
| Fan motor | | 118U3829 | 118U3829 | 118U3823 | 118U3823 | 118U3477 | 118U3477 |
| Filter drier | | 023Z5044 | 023Z5044 | 023Z5041 | 023Z5041 | 023Z5040 | 023Z5040 |
| Liquid valve | | 118U3761 | 118U3761 | 118U3761 | 118U3761 | 118U3414 | 118U3414 |
| Receiver | | 118U3476 | 118U3476 | 118U3475 | 118U3475 | 118U3474 | 118U3474 |
| Sight glass | | 014L0173 | 014L0173 | 014L0173 | 014L0173 | 014L0182 | 014L0182 |
| Suction valve | | 118U3762 | 118U3762 | 118U3764 | 118U3764 | 118U3414 | 118U3414 |
| Electrical Spare Parts | | | | | | | |
| Crankcase heater | | 120Z5040 | 120Z5040 | 120Z0459 | 120Z0459 | 192H2096 | 192H2096 |
| Contactor kit | | 118U3896 | 118U3896 | 118U3895 | 118U3893 | 118U3894 | 118U3894 |
| Main switch kit | W05 | 118U3874 | 118U3874 | 118U3870 | 118U3872 | 118U3975 | 118U3975 |
| | W09 | 118U3852 | 118U3852 | 118U3855 | 118U3851 | 118U3853 | 118U3853 |
| Overload relay | | 118U3878 | 118U3878 | 118U3880 | 118U3876 | 118U3978 | 118U3978 |
| Run capacitor | | | | | | 123B9222 | 123B9219 |
| Starting capacitor | | | | 118U5199 | | 123B9312 | 123B9316 |
| Starting relay | | | | | | 123B9151 | 123B9151 |
| Sequence phase relay | | 118U3882 | 118U3882 | | | | |
| Isolator switch assembly W09 | | 118U5120 | 118U5120 | 118U5117 | 118U5117 | 118U5117 | 118U5117 |
| Premounted FSC W09 | | 061H3144 | 061H3144 | 061H3144 | 061H3144 | 061H3144 | 061H3144 |
| Electrical Characteristics | | | | | | | |
| Wiring Diagram | W05 | WD5 | WD5 | WD2 | WD7 | WD8 | WD8 |
| | W09 | WD13 | WD13 | WD12 | WD11 | WD9 | WD9 |
| LRA Compressor [A] | | 88.5 | 90 | 81 | 28 | 16 | 19 |
| MCC Compressor [A] | | 15 | 14.4 | 24 | 7.2 | 5 | 4 |
| Max cont.power [kW] | | 5.49 | 6.2 | 3.45 | 3.34 | 0.78 | 0.89 |
| MCC Fan [A] | | 0.97 | 0.97 | 0.47 | 0.47 | 0.32 | 0.32 |
| Fan Power [W] | | 1x130 | 1x130 | 1x68 | 1x68 | 1x25 | 1x25 |
| Min Fuse rating gL/gG (A) | | 20 | 20 | 32 | 10 | 10 | 10 |
| Accessories (Not Premounted) | | | | | | | |
| Acoustic hood | | 120Z5052 | 120Z5052 | | | | |
| FSC Male connection | | 061H3142 | 061H3142 | 061H3142 | 061H3142 | 061H3142 | 061H3142 |
| FSC Female connection | | 061H3140 | 061H3140 | 061H3140 | 061H3140 | 061H3140 | 061H3140 |
| Sheet Metal | | | | | | | |
| Top panel | | 118U5151 | 118U5151 | 118U5146 | 118U5146 | 118U5141 | 118U5141 |
| Fan panel | | 118U5152 | 118U5152 | 118U5147 | 118U5147 | 118U5142 | 118U5142 |
| Back panel | | 118U5153 | 118U5153 | 118U5148 | 118U5148 | 118U5143 | 118U5143 |
| Left side panel | | 118U5169 | 118U5169 | 118U5168 | 118U5168 | 118U5167 | 118U5167 |
| Service panel | W05 | 118U5154 | 118U5154 | 118U5149 | 118U5149 | 118U5144 | 118U5144 |
| | W09 | 118U5158 | 118U5158 | 118U5157 | 118U5157 | 118U5156 | 118U5156 |

MCC - Max Continuous Current
LRA - Locked Rotor Amps
FSC - Fan Speed Controller

| Designation | MSXM034ML | MSXM034ML | MSXM044ML | MSXM044ML | MSXM046ML | MSXM046ML | MSXM057ML | MSXM057ML | MSXM068ML | |
|-------------------------------------|-----------|-------------|-------------|-------------|-------------|-------------|-------------|-------------|-------------|-------------|
| Code Number | W05 | 114X7061 | 114X7062 | 114X7161 | 114X7162 | 114X7063 | 114X7064 | 114X7065 | 114X7066 | 114X7067 |
| | W09 | 114X7195 | 114X7196 | 114X7211 | 114X7212 | 114X7197 | 114X7198 | 114X7199 | 114X7200 | 114X7201 |
| Compressor Description | | MLZ015T5 | MLZ015T4 | MLZ019T5 | MLZ019T4 | MLZ021T5 | MLZ021T4 | MLZ026T5 | MLZ026T4 | MLZ030T5 |
| Oil | | 215PZ-POE46 | 215PZ-POE46 | 215PZ-POE46 | 215PZ-POE46 | 215PZ-POE46 | 215PZ-POE46 | 215PZ-POE46 | 215PZ-POE46 | 215PZ-POE46 |
| Housing | | B2 | B2 | B2 | B2 | B2 | B2 | B2 | B2 | B3 |
| Spare Parts | | | | | | | | | | |
| Compressor single pack | | 121L8631 | 121L8629 | 121U8026 | 121U8004 | 121L8635 | 121L8633 | 121L8639 | 121L8637 | 121L8643 |
| Condenser | | 118U3493 | 118U3493 | 118U3493 | 118U3493 | 118U3493 | 118U3493 | 118U3493 | 118U3493 | 118U3494 |
| Dual pressure switch | | 060-539766 | 060-539766 | 060-539766 | 060-539766 | 060-539766 | 060-539766 | 060-539766 | 060-539766 | 060-539766 |
| Fan assembly | | | | | | | | | | 118U3829 |
| Fan blade | | 118U3481 | 118U3481 | 118U3481 | 118U3481 | 118U3481 | 118U3481 | 118U3481 | 118U3481 | |
| Fan capacitor | | 118U3297 | 118U3297 | 118U3297 | 118U3297 | 118U3297 | 118U3297 | 118U3297 | 118U3297 | |
| Fan cowl/grill | | 118U3484 | 118U3484 | 118U3484 | 118U3484 | 118U3484 | 118U3484 | 118U3484 | 118U3484 | 118U3485 |
| Fan motor | | 118U3823 | 118U3823 | 118U3823 | 118U3823 | 118U3823 | 118U3823 | 118U3823 | 118U3823 | 118U3829 |
| Filter drier | | 023Z5041 | 023Z5041 | 023Z5041 | 023Z5041 | 023Z5041 | 023Z5041 | 023Z5041 | 023Z5041 | 023Z5044 |
| Liquid valve | | 118U3761 | 118U3761 | 118U3761 | 118U3761 | 118U3761 | 118U3761 | 118U3761 | 118U3761 | 118U3761 |
| Receiver | | 118U3475 | 118U3475 | 118U3475 | 118U3475 | 118U3475 | 118U3475 | 118U3475 | 118U3475 | 118U3476 |
| Sight glass | | 014L0173 | 014L0173 | 014L0173 | 014L0173 | 014L0173 | 014L0173 | 014L0173 | 014L0173 | 014L0173 |
| Suction valve | | 118U3762 | 118U3762 | 118U3762 | 118U3762 | 118U3762 | 118U3762 | 118U3762 | 118U3762 | 118U3763 |
| Electrical Spare Parts | | | | | | | | | | |
| Crankcase heater | | 120Z5040 | 120Z5040 | 120Z5040 | 120Z5040 | 120Z5040 | 120Z5040 | 120Z5040 | 120Z5040 | 120Z5040 |
| Contact kit | | 118U3895 | 118U3893 | 118U3895 | 118U3867 | 118U3895 | 118U3867 | 118U3895 | 118U3867 | 118U3868 |
| Main switch kit | W05 | 118U3869 | 118U3872 | 118U3870 | 118U3873 | 118U3870 | 118U3873 | 118U3870 | 118U3873 | 118U3871 |
| | W09 | 118U3854 | 118U3851 | 118U3856 | 118U3851 | 118U3856 | 118U3851 | 118U3856 | 118U3852 | 118U3857 |
| Overload relay | | 118U3879 | 118U3875 | 118U3880 | 118U3876 | 118U3880 | 118U3876 | 118U3880 | 118U3877 | 118U3880 |
| Run capacitor | | 8173231 | | 120Z0051 | | 120Z0051 | | 120Z0051 | | 8173233 |
| Starting capacitor | | 120Z0399 | | 120Z0399 | | 120Z0399 | | 120Z0399 | | 120Z0400 |
| Starting relay | | 120Z0393 | | 120Z0393 | | 120Z0393 | | 120Z0393 | | 120Z0394 |
| Sequence phase relay | | 118U3882 | 118U3882 | 118U3882 | 118U3882 | 118U3882 | 118U3882 | 118U3882 | 118U3882 | 118U3882 |
| Isolator switch assembly | W09 | 118U5117 | 118U5117 | 118U5117 | 118U5117 | 118U5117 | 118U5117 | 118U5117 | 118U5117 | 118U5119 |
| Premounted FSC | W09 | 061H3144 | 061H3144 | 061H3144 | 061H3144 | 061H3144 | 061H3144 | 061H3144 | 061H3144 | 061H3144 |
| Electrical Characteristics | | | | | | | | | | |
| Wiring Diagram | W05 | WD3 | WD6 | WD3 | WD6 | WD3 | WD6 | WD3 | WD6 | WD4 |
| | W09 | WD12 | WD11 | WD12 | WD11 | WD12 | WD11 | WD12 | WD11 | WD14 |
| LRA Compressor [A] | | 60 | 30 | 97 | 45 | 97 | 45 | 97 | 45 | 127 |
| MCC Compressor [A] | | 19 | 7 | 23 | 9.5 | 25 | 9.5 | 26 | 10 | 32 |
| Max cont.power [kW] | | 2.53 | 2.73 | 3.38 | 3.33 | 3.38 | 3.33 | 4.42 | 4.14 | 4.89 |
| MCC Fan [A] | | 0.47 | 0.47 | 0.47 | 0.47 | 0.47 | 0.47 | 0.47 | 0.47 | 0.97 |
| Fan Power [W] | | 1x68 | 1x68 | 1x68 | 1x68 | 1x68 | 1x68 | 1x68 | 1x68 | 1x130 |
| Min Fuse rating gL/gG (A) | | 25 | 10 | 32 | 16 | 32 | 16 | 32 | 16 | 40 |
| Accessories (Not Premounted) | | | | | | | | | | |
| Acoustic hood | | 120Z5043 | 120Z5043 | 120Z5043 | 120Z5043 | 120Z5043 | 120Z5043 | 120Z5043 | 120Z5043 | 120Z5044 |
| FSC Male connection | | 061H3142 | 061H3142 | 061H3142 | 061H3142 | 061H3142 | 061H3142 | 061H3142 | 061H3142 | 061H3142 |
| FSC Female connection | | 061H3140 | 061H3140 | 061H3140 | 061H3140 | 061H3140 | 061H3140 | 061H3140 | 061H3140 | 061H3140 |
| Sheet Metal | | | | | | | | | | |
| Top panel | | 118U5146 | 118U5146 | 118U5146 | 118U5146 | 118U5146 | 118U5146 | 118U5146 | 118U5146 | 118U5151 |
| Fan panel | | 118U5147 | 118U5147 | 118U5147 | 118U5147 | 118U5147 | 118U5147 | 118U5147 | 118U5147 | 118U5152 |
| Back panel | | 118U5148 | 118U5148 | 118U5148 | 118U5148 | 118U5148 | 118U5148 | 118U5148 | 118U5148 | 118U5153 |
| Left side panel | | 118U5168 | 118U5168 | 118U5168 | 118U5168 | 118U5168 | 118U5168 | 118U5168 | 118U5168 | 118U5169 |
| Service panel | W05 | 118U5149 | 118U5149 | 118U5149 | 118U5149 | 118U5149 | 118U5149 | 118U5149 | 118U5149 | 118U5154 |
| | W09 | 118U5157 | 118U5157 | 118U5157 | 118U5157 | 118U5157 | 118U5157 | 118U5157 | 118U5157 | 118U5158 |

MCC - Max Continuous Current
 LRA - Locked Rotor Amps
 FSC - Fan Speed Controller

| Designation | MSXM068ML | MSXM080ML | MSXM080ML | MSXM099ML | MSXM108ML | MSYM026AJ | MSYM034AJ | MSYM026AJ | MSYM034AJ | MSYM024AJ | |
|-------------------------------------|-------------|-------------|-------------|-------------|-------------|------------|------------|------------|------------|------------|----------|
| Code Number | W05 | 114X7068 | 114X7069 | 114X7070 | 114X7071 | 114X7072 | 114X7083 | 114X7084 | 114X7093 | 114X7094 | 114X7097 |
| | W09 | 114X7202 | 114X7203 | 114X7204 | 114X7205 | 114X7206 | 114X7190 | 114X7191 | 114X7192 | 114X7193 | 114X7194 |
| Compressor Description | MLZ030T4 | MLZ038T5 | MLZ038T4 | MLZ045T4 | MLZ048T4 | CAJ4517Z | CAJ4519Z | TAJ4517Z | TAJ4519Z | CAJ9513Z | |
| Oil | 215PZ-POE46 | 215PZ-POE46 | 215PZ-POE46 | 215PZ-POE46 | 215PZ-POE46 | RL32HA/HT | RL32HA/HT | RL32HA/HT | RL32HA/HT | RL32HA/HT | |
| Housing | B3 | B3 | B3 | B3 | B3 | B2 | B2 | B2 | B2 | B2 | |
| Spare Parts | | | | | | | | | | | |
| Compressor single pack | 121L8641 | 121L8647 | 121L8645 | 121L8649 | 121L8651 | 118U3993 | 118U3994 | 118U3991 | 118U3989 | 118U3995 | |
| Condenser | 118U3494 | 118U3494 | 118U3494 | 118U3494 | 118U3494 | 118U3493 | 118U3493 | 118U3493 | 118U3493 | 118U3493 | |
| Dual pressure switch | 060-539766 | 060-539766 | 060-539766 | 060-539766 | 060-539766 | 060-539766 | 060-539766 | 060-539766 | 060-539766 | 060-539766 | |
| Fan assembly | 118U3829 | 118U3829 | 118U3829 | 118U3829 | 118U3829 | | | | | | |
| Fan blade | | | | | | 118U3481 | 118U3481 | 118U3481 | 118U3481 | 118U3481 | |
| Fan capacitor | | | | | | 118U3297 | 118U3297 | 118U3297 | 118U3297 | 118U3297 | |
| Fan cowl/grill | 118U3485 | 118U3485 | 118U3485 | 118U3485 | 118U3485 | 118U3484 | 118U3484 | 118U3484 | 118U3484 | 118U3484 | |
| Fan motor | 118U3829 | 118U3829 | 118U3829 | 118U3829 | 118U3829 | 118U3823 | 118U3823 | 118U3823 | 118U3823 | 118U3823 | |
| Filter drier | 023Z5044 | 023Z5044 | 023Z5044 | 023Z5044 | 023Z5044 | 023Z5041 | 023Z5041 | 023Z5041 | 023Z5041 | 023Z5041 | |
| Liquid valve | 118U3761 | 118U3761 | 118U3761 | 118U3761 | 118U3761 | 118U3761 | 118U3761 | 118U3761 | 118U3761 | 118U3761 | |
| Receiver | 118U3476 | 118U3476 | 118U3476 | 118U3476 | 118U3476 | 118U3475 | 118U3475 | 118U3475 | 118U3475 | 118U3475 | |
| Sight glass | 014L0173 | 014L0173 | 014L0173 | 014L0173 | 014L0173 | 014L0173 | 014L0173 | 014L0173 | 014L0173 | 014L0173 | |
| Suction valve | 118U3763 | 118U3763 | 118U3763 | 118U3763 | 118U3763 | 118U3761 | 118U3761 | 118U3761 | 118U3761 | 118U3761 | |
| Electrical Spare Parts | | | | | | | | | | | |
| Crankcase heater | 120Z5040 | 120Z5040 | 120Z5040 | 120Z5040 | 120Z5040 | 192H2096 | 192H2096 | 192H2096 | 192H2096 | 120Z0057 | |
| Contact kit | 118U3896 | 118U3868 | 118U3896 | 118U3896 | 118U3896 | 118U3896 | 118U3896 | 118U3893 | 118U3893 | 118U3894 | |
| Main switch kit | W05 | 118U3873 | 118U3871 | 118U3874 | 118U3874 | 118U3874 | 118U3976 | 118U3976 | 118U3872 | 118U3872 | 118U3976 |
| | W09 | 118U3852 | 118U3857 | 118U3852 | 118U3852 | 118U3854 | 118U3852 | 118U3852 | 118U3853 | 118U3853 | 118U3852 |
| Overload relay | 118U3877 | 118U3881 | 118U3878 | 118U3878 | 118U3878 | 118U3877 | 118U3878 | 118U3978 | 118U3978 | 118U3877 | |
| Run capacitor | | 8173234 | | | | | | | | | |
| Starting capacitor | | 8173001 | | | | 118U5195 | 118U5196 | | | | 118U5198 |
| Starting relay | | 120Z0395 | | | | | | | | | |
| Sequence phase relay | 118U3882 | 118U3882 | 118U3882 | 118U3882 | 118U3882 | | | | | | |
| Isolator switch assembly | W09 | 118U5120 | 118U5119 | 118U5120 | 118U5120 | 118U5120 | 118U5117 | 118U5117 | 118U5117 | 118U5117 | 118U5117 |
| Premounted FSC | W09 | 061H3144 | 061H3144 | 061H3144 | 061H3144 | 061H3144 | 061H3144 | 061H3144 | 061H3144 | 061H3144 | 061H3144 |
| Electrical Characteristics | | | | | | | | | | | |
| Wiring Diagram | W05 | WD5 | WD4 | WD5 | WD5 | WD5 | WD2 | WD2 | WD7 | WD7 | WD2 |
| | W09 | WD13 | WD14 | WD13 | WD13 | WD14 | WD12 | WD12 | WD11 | WD11 | WD12 |
| LRA Compressor [A] | | 60 | 130 | 70 | 82 | 87 | 38.5 | 45 | 18 | 22 | 33.5 |
| MCC Compressor [A] | | 13 | 38 | 15 | 15 | 16 | 12.7 | 15.2 | 4 | 4.8 | 10.2 |
| Max cont.power [kW] | | 4.88 | 5.77 | 5.78 | 7.01 | 7.55 | 2 | 2.74 | 2.09 | 2.7 | 1.75 |
| MCC Fan [A] | | 0.97 | 0.97 | 0.97 | 0.97 | 0.97 | 0.47 | 0.47 | 0.47 | 0.47 | 0.47 |
| Fan Power [W] | | 1x130 | 1x130 | 1x130 | 1x130 | 1x130 | 1x68 | 1x68 | 1x68 | 1x68 | 1x68 |
| Min Fuse rating gL/gG (A) | | 16 | 40 | 20 | 20 | 20 | 16 | 16 | 10 | 10 | 16 |
| Accessories (Not Premounted) | | | | | | | | | | | |
| Acoustic hood | | 120Z5044 | 120Z5044 | 120Z5044 | 120Z5044 | 120Z5044 | | | | | |
| FSC Male connection | | 061H3142 | 061H3142 | 061H3142 | 061H3142 | 061H3142 | 061H3142 | 061H3142 | 061H3142 | 061H3142 | 061H3142 |
| FSC Female connection | | 061H3140 | 061H3140 | 061H3140 | 061H3140 | 061H3140 | 061H3140 | 061H3140 | 061H3140 | 061H3140 | 061H3140 |
| Sheet Metal | | | | | | | | | | | |
| Top panel | | 118U5151 | 118U5151 | 118U5151 | 118U5151 | 118U5151 | 118U5146 | 118U5146 | 118U5146 | 118U5146 | 118U5146 |
| Fan panel | | 118U5152 | 118U5152 | 118U5152 | 118U5152 | 118U5152 | 118U5147 | 118U5147 | 118U5147 | 118U5147 | 118U5147 |
| Back panel | | 118U5153 | 118U5153 | 118U5153 | 118U5153 | 118U5153 | 118U5148 | 118U5148 | 118U5148 | 118U5148 | 118U5148 |
| Left side panel | | 118U5169 | 118U5169 | 118U5169 | 118U5169 | 118U5169 | 118U5168 | 118U5168 | 118U5168 | 118U5168 | 118U5168 |
| Service panel | W05 | 118U5154 | 118U5154 | 118U5154 | 118U5154 | 118U5154 | 118U5149 | 118U5149 | 118U5149 | 118U5149 | 118U5149 |
| | W09 | 118U5158 | 118U5158 | 118U5158 | 118U5158 | 118U5158 | 118U5157 | 118U5157 | 118U5157 | 118U5157 | 118U5157 |

MCC - Max Continuous Current
LRA - Locked Rotor Amps
FSC - Fan Speed Controller

| Designation | | MSGM012SC | MSGM015SC | MSGM018SC | MSGM021SC | MSGM026AJ | MSGM033AJ | MSYM009MY | MSYM012MP | MSYM014MP | MSYM018AJ |
|-------------------------------------|-----|------------|------------|------------|------------|------------|------------|------------|------------|------------|------------|
| Code Number | W05 | 114X7099 | 114X7100 | 114X7101 | 114X7102 | 114X7103 | 114X7104 | 114X7108 | 114X7109 | 114X7110 | 114X7111 |
| | W09 | 114X7207 | 114X7208 | 114X7131 | 114X7132 | 114X7209 | 114X7210 | 114X7133 | 114X7134 | 114X7135 | 114X7136 |
| Compressor Description | | SC12G | SC15G | SC18G | SC21G | CAJ4492Y | CAJ4511Y | MLY90RAB | MPT12RA | MPT14RA | CAJ9510Z |
| Oil | | POE | POE | POE | POE | RL32HA/HT | RL32HA/HT | POE32 | POE32 | POE32 | RL32HA/HT |
| Housing | | B1 | B1 | B1 | B1 | B2 | B2 | B1 | B1 | B1 | B2 |
| Spare Parts | | | | | | | | | | | |
| Compressor single pack | | 195B0050 | 195B0053 | 195B0059 | 195B0636 | 118U3997 | 118U3996 | 123B2514 | 123B2518 | 123B2704 | 118U3988 |
| Condenser | | 118U3492 | 118U3492 | 118U3492 | 118U3492 | 118U3493 | 118U3493 | 118U3492 | 118U3492 | 118U3492 | 118U3493 |
| Dual pressure switch | | 060-539766 | 060-539766 | 060-539766 | 060-539766 | 060-539766 | 060-539766 | 060-539766 | 060-539766 | 060-539766 | 060-539766 |
| Fan assembly | | | | | | | | | | | |
| Fan blade | | 118U3480 | 118U3480 | 118U3480 | 118U3480 | 118U3481 | 118U3481 | 118U3480 | 118U3480 | 118U3480 | 118U3481 |
| Fan capacitor | | 118U3296 | 118U3296 | 118U3296 | 118U3296 | 118U3297 | 118U3297 | 118U3296 | 118U3296 | 118U3296 | 118U3297 |
| Fan cowl/grill | | 118U3483 | 118U3483 | 118U3483 | 118U3483 | 118U3484 | 118U3484 | 118U3483 | 118U3483 | 118U3483 | 118U3484 |
| Fan motor | | 118U3477 | 118U3477 | 118U3477 | 118U3477 | 118U3823 | 118U3823 | 118U3477 | 118U3477 | 118U3477 | 118U3823 |
| Filter drier | | 023Z5040 | 023Z5040 | 023Z5040 | 023Z5040 | 023Z5041 | 023Z5041 | 023Z5040 | 023Z5040 | 023Z5040 | 023Z5041 |
| Liquid valve | | 118U3414 | 118U3414 | 118U3414 | 118U3414 | 118U3761 | 118U3761 | 118U3414 | 118U3414 | 118U3414 | 118U3414 |
| Receiver | | 118U3474 | 118U3474 | 118U3474 | 118U3474 | 118U3475 | 118U3475 | 118U3474 | 118U3474 | 118U3474 | 118U3475 |
| Sight glass | | 014L0182 | 014L0182 | 014L0182 | 014L0182 | 014L0173 | 014L0173 | 014L0182 | 014L0182 | 014L0182 | 014L0173 |
| Suction valve | | 118U3414 | 118U3414 | 118U3414 | 118U3414 | 118U3764 | 118U3764 | 118U3414 | 118U3414 | 118U3414 | 118U3414 |
| Electrical Spare Parts | | | | | | | | | | | |
| Crankcase heater | | 192H2096 | 192H2096 | 192H2096 | 192H2096 | 120Z0459 | 120Z0459 | 192H2096 | 192H2096 | 192H2096 | 192H2096 |
| Contactorkit | | 118U3893 | 118U3893 | 118U3893 | 118U3893 | 118U3894 | 118U3894 | 118U3894 | 118U3894 | 118U3894 | 118U3894 |
| Main switch kit | W05 | | | | | | | 118U3980 | 118U3975 | 118U3975 | 118U3975 |
| | W09 | 118U5162 | 118U3853 | 118U3853 | 118U3853 | 118U3851 | 118U3851 | 118U3853 | 118U3853 | 118U3851 | 118U3851 |
| Overload relay | | 118U3875 | 118U3875 | 118U3875 | 118U3875 | 118U3876 | 118U3876 | 118U3978 | 118U3876 | 118U3876 | 118U3876 |
| Run capacitor | | | | | | | | 123B9222 | 123B9215 | 123B9226 | |
| Starting capacitor | | 117U5017 | 117U5017 | 117U5017 | 117-7029 | 118U5193 | 118U5194 | 123B9315 | 123B9315 | 123B9315 | 118U5197 |
| Starting relay | | 117U6003 | 117U6005 | 117U6019 | | | | 123B9133 | 123B9151 | 123B9139 | |
| Sequence phase relay | | | | | | | | | | | |
| Isolator switch assembly | W09 | 118U5117 | 118U5117 | 118U5117 | 118U5117 | 118U5117 | 118U5117 | 118U5117 | 118U5117 | 118U5117 | 118U5117 |
| Premounted FSC | W09 | 061H3144 | 061H3144 | 061H3144 | 061H3144 | 061H3144 | 061H3144 | 061H3144 | 061H3144 | 061H3144 | 061H3144 |
| Electrical Characteristics | | | | | | | | | | | |
| Wiring Diagram | W05 | WD1 | WD1 | WD1 | WD2 | WD1 | WD1 | WD8 | WD8 | WD8 | WD8 |
| | W09 | WD10 | WD10 | WD9 | WD9 | WD10 | WD12 | WD9 | WD9 | WD9 | WD9 |
| LRA Compressor [A] | | 12.4 | 14.8 | 18.6 | 21.8 | 28 | 30 | 17 | 18.5 | 21 | 30 |
| MCC Compressor [A] | | 3.17 | 3.88 | 4.34 | 4.6 | 8.9 | 8.6 | 5.3 | 5.3 | 6.5 | 8 |
| Max cont.power [kW] | | 0.812 | 0.819 | 0.945 | 0.936 | 1.43 | 1.69 | 0.62 | 0.84 | 1.03 | 1.3 |
| MCC Fan [A] | | 0.32 | 0.32 | 0.32 | 0.32 | 0.47 | 0.47 | 0.32 | 0.32 | 0.32 | 0.47 |
| Fan Power [W] | | 1x25 | 1x25 | 1x25 | 1x25 | 1x68 | 1x68 | 1x25 | 1x25 | 1x25 | 1x68 |
| Min Fuse rating gL/gG (A) | | 10 | 10 | 10 | 10 | 16 | 16 | 10 | 10 | 10 | 10 |
| Accessories (Not Premounted) | | | | | | | | | | | |
| Acoustic hood | | | | | | | | | | | |
| FSC Male connection | | 061H3142 | 061H3142 | 061H3142 | 061H3142 | 061H3142 | 061H3142 | 061H3142 | 061H3142 | 061H3142 | 061H3142 |
| FSC Female connection | | 061H3140 | 061H3140 | 061H3140 | 061H3140 | 061H3140 | 061H3140 | 061H3140 | 061H3140 | 061H3140 | 061H3140 |
| Sheet Metal | | | | | | | | | | | |
| Top panel | | 118U5141 | 118U5141 | 118U5141 | 118U5141 | 118U5146 | 118U5146 | 118U5141 | 118U5141 | 118U5141 | 118U5146 |
| Fan panel | | 118U5142 | 118U5142 | 118U5142 | 118U5142 | 118U5147 | 118U5147 | 118U5142 | 118U5142 | 118U5142 | 118U5147 |
| Back panel | | 118U5143 | 118U5143 | 118U5143 | 118U5143 | 118U5148 | 118U5148 | 118U5143 | 118U5143 | 118U5143 | 118U5148 |
| Left side panel | | 118U5167 | 118U5167 | 118U5167 | 118U5167 | 118U5168 | 118U5168 | 118U5167 | 118U5167 | 118U5167 | 118U5168 |
| Service panel | W05 | 118U5144 | 118U5144 | 118U5144 | 118U5144 | 118U5149 | 118U5149 | 118U5144 | 118U5144 | 118U5144 | 118U5149 |
| | W09 | 118U5156 | 118U5156 | 118U5156 | 118U5156 | 118U5157 | 118U5157 | 118U5156 | 118U5156 | 118U5156 | 118U5157 |

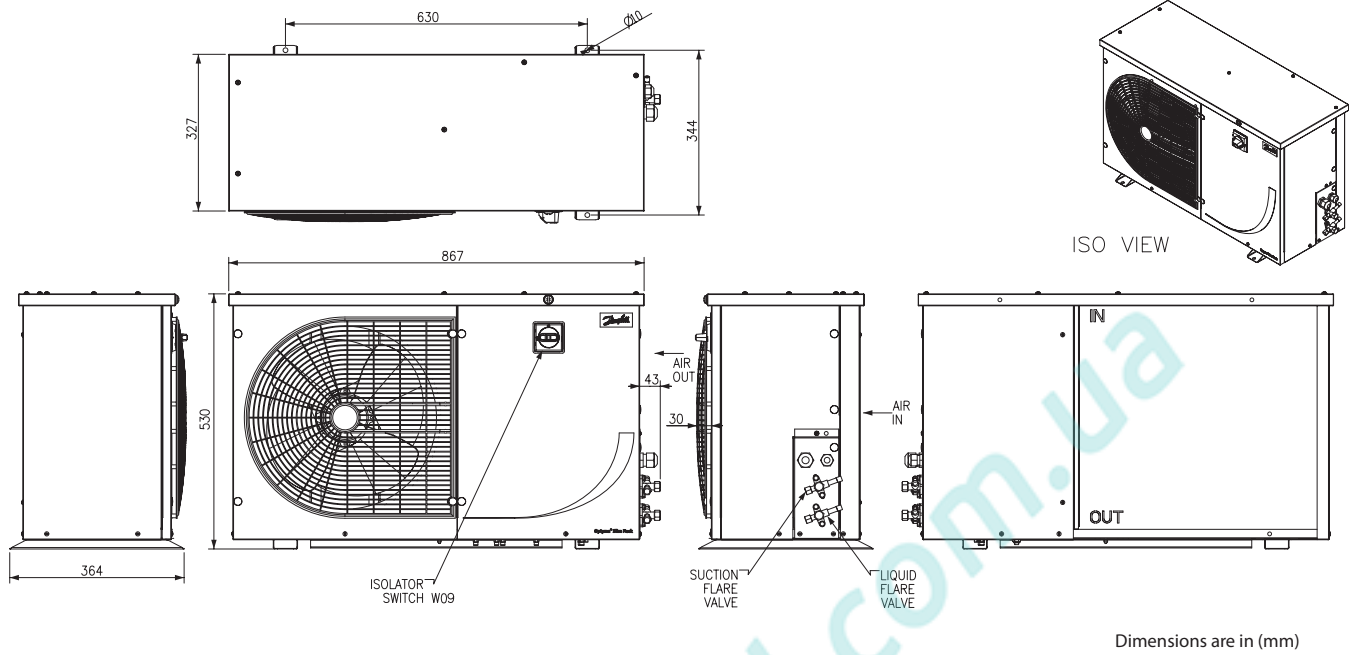
MCC - Max Continuous Current
LRA - Locked Rotor Amps
FSC - Fan Speed Controller

| Component type | Component code | Component description | Additional informations |
|------------------------|----------------|---|---|
| Acoustic Hood | 120Z0575 | ACOUSTIC HOOD COMP 1CYL | |
| Acoustic Hood | 120Z5043 | ACCOUSTIC HOOD - SMALL FRAME | |
| Acoustic Hood | 120Z5044 | Acoustic hood for Scroll MLZ compressor | |
| Acoustic Hood | 120Z5045 | ACCOUSTIC HOOD, LARGE FRAME | |
| Acoustic Hood | 120Z5052 | Sound Cover, LLZ013-018 | |
| Capacitor | 8173001 | CAPACITOR 100µF 330V+R | |
| Capacitor | 8173041 | CAPACITOR 30µF 450V | |
| Capacitor | 117U5017 | START CAPACITOR 80 mfd | |
| Capacitor | 117U5012 | Start Capacitor 125 mF, 220V/50Hz | |
| Compressor Single Pack | 118U3751 | TAJ4519Z - AJ1 range | Phased out & replaced by 118U3989 from SN: 054428CG3916 |
| Compressor Single Pack | 118U3769 | CAJ2464Z - AJ1 range | Phased out & replaced by 118U3990 from SN: 054428CG3916 |
| Compressor Single Pack | 118U3770 | TAJ4517Z - AJ1 range | Phased out & replaced by 118U3991 from SN: 054428CG3916 |
| Compressor Single Pack | 118U3779 | CAJ2446Z - AJ1 range | Phased out & replaced by 118U3992 from SN: 054428CG3916 |
| Compressor Single Pack | 118U3810 | CAJ4517Z - AJ1 range | Phased out & replaced by 118U3993 from SN: 054428CG3916 |
| Compressor Single Pack | 118U3811 | CAJ4519Z - AJ1 range | Phased out & replaced by 118U3994 from SN: 054428CG3916 |
| Compressor Single Pack | 118U3912 | CAJ9513Z - AJ1 range | Phased out & replaced by 118U3995 from SN: 054428CG3916 |
| Compressor Single Pack | 118U3914 | FH2511Z | |
| Compressor Single Pack | 118U3915 | TFH2511Z | |
| Compressor Single Pack | 118U3988 | CAJ9510Z - AJ2 range | |
| Compressor Single Pack | 118U3989 | TAJ4519Z - AJ2 range | |
| Compressor Single Pack | 118U3990 | CAJ2464Z - AJ2 range | |
| Compressor Single Pack | 118U3991 | TAJ4517Z - AJ2 range | |
| Compressor Single Pack | 118U3992 | CAJ2446Z - AJ2 range | |
| Compressor Single Pack | 118U3993 | CAJ4517Z - AJ2 range | |
| Compressor Single Pack | 118U3994 | CAJ4519Z - AJ2 range | |
| Compressor Single Pack | 118U3995 | CAJ9513Z - AJ2 range | |
| Compressor Single Pack | 118U3996 | CAJ4511Y - AJ2 range | |
| Compressor Single Pack | 118U3997 | CAJ4492Y - AJ2 range | |
| Compressor Single Pack | 120F0226 | NTZ048-4LR1B | |
| Compressor Single Pack | 120F0228 | NTZ048-5LR1B | |
| Compressor Single Pack | 120F0230 | NTZ068-4LR1B | |
| Compressor Single Pack | 120F0232 | NTZ068-5LR1B | |
| Compressor Single Pack | 121L8629 | MLZ015T4LP9A | |
| Compressor Single Pack | 121L8631 | MLZ015T5LP9A | |
| Compressor Single Pack | 121L8633 | MLZ021T4LP9A | |
| Compressor Single Pack | 121L8635 | MLZ021T5LP9A | |
| Compressor Single Pack | 121L8637 | MLZ026T4LP9A | |
| Compressor Single Pack | 121L8639 | MLZ026T5LP9A | |
| Compressor Single Pack | 121L8641 | MLZ030T4LC9A | |
| Compressor Single Pack | 121L8643 | MLZ030T5LC9A | |
| Compressor Single Pack | 121L8645 | MLZ038T4LC9A | |
| Compressor Single Pack | 121L8647 | MLZ038T5LC9A | |
| Compressor Single Pack | 121L8649 | MLZ045T4LC9A | |
| Compressor Single Pack | 121L8651 | MLZ048T4LC9A | |
| Compressor Single Pack | 121L9535 | LLZ013T4LQ9A | |
| Compressor Single Pack | 121L9537 | LLZ015T4LQ9A | |
| Compressor Single Pack | 121L9539 | LLZ018T4LQ9A | |
| Compressor Single Pack | 123B2126 | MPT14LA | |
| Compressor Single Pack | 123B2127 | MPT16LA | |
| Compressor Single Pack | 123B2514 | MLY90RAB | |
| Compressor Single Pack | 123B2518 | MPT12RA | |
| Compressor Single Pack | 123B2704 | MPT14RA | |
| Compressor Single Pack | 195B0050 | SC12G | |
| Compressor Single Pack | 195B0053 | SC15G | |
| Compressor Single Pack | 195B0059 | SC18G | |
| Compressor Single Pack | 195B0636 | SC21G | |

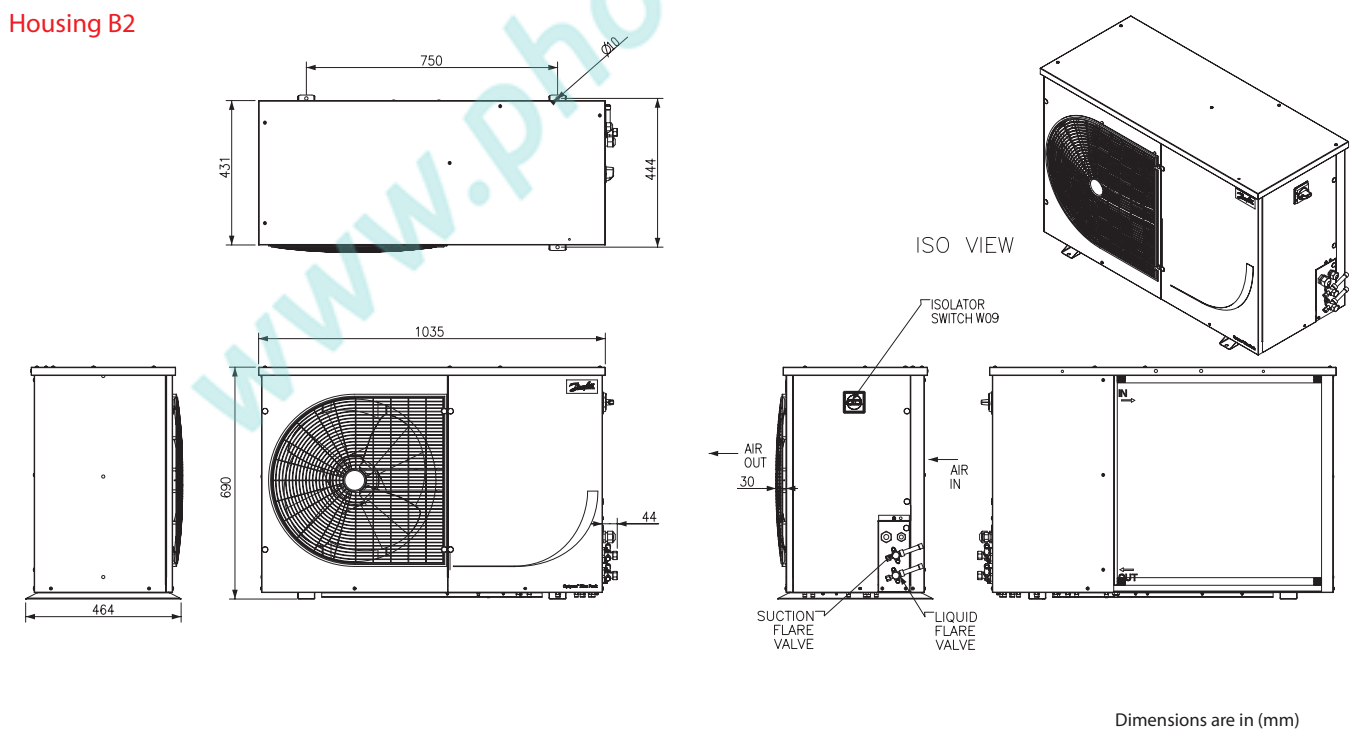
| Component type | Component code | Component description | Additional informations |
|-------------------------------------|----------------|---|---------------------------------|
| Condenser | 118U3492 | A7 | |
| Condenser | 118U3493 | D7 | |
| Condenser | 118U3494 | G7 | |
| Contactorkit | 118U3867 | KIT CONT, SCHNEIDER-LC1E2501M6 | |
| Contactorkit | 118U3868 | KIT CONT, SCHNEIDER-LC1E3801M6 | |
| Contactorkit | 118U3893 | KIT CONT, SCHNEIDER-LC1E0901M5 | |
| Contactorkit | 118U3894 | KIT CONT, SCHNEIDER-LC1E1201M5 | |
| Contactorkit | 118U3895 | KIT CONT, SCHNEIDER-LC1E3201M5 | |
| Contactorkit | 118U3896 | KIT CONT, SCHNEIDER-LC1E1801M5 | |
| Contactorkit | 118U3898 | KIT CONT, SCHNEIDER-LC1E3801M6 | |
| Crankcase heater | 120Z0057 | Belt type, 50 W, 230 V, CE mark, UL | |
| Crankcase heater | 120Z0459 | PTC heater 27 W, CE mark, UL | |
| Crankcase heater | 120Z5040 | Belt type, 70 W, 240 V, CE mark, UL | |
| Crankcase heater | 192H2096 | Crankcase heater 55W * use 118U0051 | |
| Door Handle | 118U3858 | HANDLE, ABB-OHB2AJM,MSMN,OX55X131 | |
| Dual pressure switch | 060-539766 | KP 17 WB | |
| Fan assembly | 118U3829 | Fan assembly | |
| Fan blade | 118U3480 | Fan blade | |
| Fan blade | 118U3481 | Fan blade | |
| Fan capacitor | 118U3296 | 1,8 µF | |
| Fan capacitor | 118U3297 | 3,5 µF | |
| Fan cowl/grill | 118U3483 | Ä, 356 mm | |
| Fan cowl/grill | 118U3484 | Ä, 457 mm | |
| Fan cowl/grill | 118U3485 | Ä, 609 mm | |
| Fan motor (Capacitor not included) | 118U3477 | 25 W | |
| Fan motor (Capacitor not included) | 118U3823 | 68 W | |
| Fan speed control Female connection | 061H3140 | XGE-4C | |
| Fan speed control Female connection | 061H3144 | XGE-2C | |
| Fan speed control Male connection | 061H3142 | XGE-4C | |
| Filter drier | 023Z5040 | DML083 | |
| Filter drier | 023Z5041 | DML084 | |
| Filter drier | 023Z5044 | DML164 | |
| Liquid valve | 118U3414 | Brazed Service Valve 3/8" | |
| Liquid valve | 118U3761 | Brazed Service Valve 1/2" | |
| Main switch kit | 118U3869 | C60H2P25AC | |
| Main switch kit | 118U3870 | C60H2P32AC | |
| Main switch kit | 118U3871 | C60H2P40AC | |
| Main switch kit | 118U3872 | C60H4P10AC | |
| Main switch kit | 118U3873 | C60H4P16AC | |
| Main switch kit | 118U3874 | C60H4P20AC | |
| Main switch kit | 118U3975 | KIT CIRCUITBREAKER,C60H2P10A | |
| Main switch kit | 118U3976 | KIT CIRCUITBREAKER,C60H2P16A | |
| Main switch kit | 118U3980 | KIT CIRCUITBREAKER, SCHNEIDER-A9N2P06C | |
| Main switch kit | 118U3851 | KIT MPCB, ABB-MS116-10+HK1-20 | |
| Main switch kit | 118U3852 | KIT MPCB, ABB-MS116-16+HK1-20 | |
| Main switch kit | 118U3853 | KIT MPCB, ABB-MS116-6.3+HK1-20 | |
| Main switch kit | 118U3854 | KIT MPCB, ABB-MS132-20+HK1-20 | |
| Main switch kit | 118U3855 | KIT MPCB, ABB-MS132-25+HK1-20 | |
| Main switch kit | 118U3856 | KIT MPCB, ABB-MS132-32+HK1-20 | |
| Main switch kit | 118U3857 | KIT MPCB, ABB-MS450-40+HKS4-20 | |
| Main switch kit | 118U5162 | SPARE PART, KIT MPCB MS116-4.0 2.5-4A | |
| Isolator switch | 118U5117 | SPARE PART, ISOLATOR SWITCH SHAFT ASSLY B1/B2 | |
| Isolator switch | 118U5120 | SPARE PART, ISOLATOR SWITCH SHAFT ASSLY B3 3PH | |
| Isolator switch | 118U5119 | SPARE PART, ISOLATOR SWITCH SHAFT ASSLY B3 1PH | |
| Oil | - | POE32 for Light Commercial (MLY / MPT) | |
| Oil | - | RL32HA/HT for light Commercial (CAJ/FH/TAJ/TFH) | |
| Oil | 120Z0638 | 1 litre can of 175PZ - POE (NTZ Platform) | CU with a SN above 051220CG3016 |
| Oil | 120Z0639 | 2,5 litre can of 175PZ - POE (NTZ Platform) | CU with a SN above 051220CG3016 |
| Oil | 120Z0648 | 1 litre can of 215PZ - POE46 (MLZ & LLZ Platform) | CU with a SN above 051220CG3016 |
| Overload relay | 118U3875 | KIT OL-RELAY, SCHNEIDER-LRE12+LAEB2 | |
| Overload relay | 118U3876 | KIT OL-RELAY, SCHNEIDER-LRE14+LAEB2 | |
| Overload relay | 118U3877 | KIT OL-RELAY, SCHNEIDER-LRE16+LAEB2 | |
| Overload relay | 118U3878 | KIT OL-RELAY, SCHNEIDER-LRE21+LAEB2 | |
| Overload relay | 118U3879 | KIT OL-RELAY, SCHNEIDER-LRE22+LAEB2 | |
| Overload relay | 118U3880 | KIT OL-RELAY, SCHNEIDER-LRE32+LAEB2 | |
| Overload relay | 118U3881 | KIT OL-RELAY, SCHNEIDER-LRE35+LAEB2 | |
| Overload relay | 118U3978 | KIT OL-RELAY, SCHNEIDER-LRE1 | |

| Component type | Component code | Component description | Additional informations |
|----------------------|----------------|---|-------------------------|
| Receiver | 118U3474 | 1,3 L | |
| Receiver | 118U3475 | 3,4 L | |
| Receiver | 118U3476 | 6,2 L | |
| Relay | 8173022 | STARTING RELAY TYPE RVA6AMKL | |
| Relay | 117U6013 | STARTING RELAY | |
| Relay | 117U6019 | Starting Relay SC 50/60 Hz | |
| Relay | 117U6011 | STARTING RELAY SC 220V/60Hz | |
| Relay | 117-7027 | SC-RELAY | |
| Relay | 117U6003 | STARTING RELAY TL/SC 115V/50/60Hz | |
| Relay | 117U6005 | STARTING RELAY SC 220V/50Hz | |
| Relay | 117-7029 | SC-RELAY | |
| Run capacitor | 8173231 | Run capacitor 440V, 40 µF | |
| Run capacitor | 8173233 | Run capacitor 440V,50 µF | |
| Run capacitor | 8173234 | Run capacitor 440V,55 µF | |
| Run capacitor | 120Z0051 | Run capacitor 70 µF | |
| Sequence phase relay | 118U3882 | SM500-MG73BF | |
| Sight glass | 014L0173 | SGP 12 N | |
| Sight glass | 014L0182 | SGP 10s N | |
| Suction valve | 118U3762 | Brazed Service Valve 3/4" | |
| Suction valve | 118U3763 | Brazed Service Valve 7/8" | |
| Suction valve | 118U3764 | Brazed Service Valve 5/8" | |
| Top Panel B1 | 118U5141 | SPARE PART, SHEET METAL TOP B1 | |
| Fan panel B1 | 118U5142 | SPARE PART, SHEET METAL FAN B1 | |
| Back Panel B1 | 118U5143 | SPARE PART, SHEET METAL BACK B1 | |
| Service panel W05 B1 | 118U5144 | SPARE PART, SHEET METAL SERVICE PANEL B1 | |
| Left Side Panel B1 | 118U5167 | SPARE PART, SHEET METAL LEFT SIDE B1 | |
| Service panel W09 B1 | 118U5156 | SPARE PART, SHEET METAL SERVICE PANEL B1- W09 | |
| Top Panel B2 | 118U5146 | SPARE PART, SHEET METAL TOP B2 | |
| Fan panel B2 | 118U5147 | SPARE PART, SHEET METAL FAN B2 | |
| Back Panel B2 | 118U5148 | SPARE PART, SHEET METAL BACK B2 | |
| Service panel W05 B2 | 118U5149 | SPARE PART, SHEET METAL SERVICE PANEL B2 | |
| Left Side Panel B2 | 118U5168 | SPARE PART, SHEET METAL LEFT SIDE B2 | |
| Service panel W09 B2 | 118U5157 | SPARE PART, SHEET METAL SERVICE PANEL B2 -W09 | |
| Top Panel B3 | 118U5151 | SPARE PART, SHEET METAL TOP B3 | |
| Fan panel B3 | 118U5152 | SPARE PART, SHEET METAL FAN B3 | |
| Back Panel B3 | 118U5153 | SPARE PART, SHEET METAL BACK B3 | |
| Service panel W05 B3 | 118U5154 | SPARE PART, SHEET METAL SERVICE PANEL B3 | |
| Left Side Panel B3 | 118U5169 | SPARE PART, SHEET METAL LEFT SIDE B3 | |
| Service panel W09 B3 | 118U5158 | SPARE PART, SHEET METAL SERVICE PANEL B3 -W09 | |
| Starting KIT | 118U5191 | CAJ2446Z _ F1 KIT Capacitor and relay | |
| Starting KIT | 118U5192 | CAJ2464Z _ F1 KIT Capacitor and relay | |
| Starting KIT | 118U5193 | CAJ4492Y _ F1 KIT Capacitor and relay | |
| Starting KIT | 118U5194 | CAJ4511Y _ F1KIT Capacitor and relay | |
| Starting KIT | 118U5195 | CAJ4517Z _ F1 KIT Capacitor and relay | |
| Starting KIT | 118U5196 | CAJ4519Z _ F1 KIT Capacitor and relay | |
| Starting KIT | 118U5197 | CAJ9510Z _ F1 KIT Capacitor and relay | |
| Starting KIT | 118U5198 | CAJ9513Z _ F1KIT Capacitor and relay | |
| Starting KIT | 118U5199 | FH2511Z _ F1KIT Capacitor and relay | |
| Start capacitor | 123B9316 | STARTING CAPACITOR+CC 72-88µF/330V R216 | |
| Run C capacitor | 123B9219 | RUN CAPACITOR 16µF/420V, REF. 321 | |
| Relay | 123B9151 | RELAY + CON. BOARD 1158-8 BDG 1585+ NTC | |
| Start capacitor | 123B9315 | STARTING CAPACITOR+CC 64-77µF/330V R205 | |
| Run C capacitor | 123B9222 | RUN CAPACITOR 10µF/420V, REF. 326 | |
| Relay | 123B9133 | RELAY + CON. BOARD 1149-8 BDG 1495+ NTC | |
| Start capacitor | 117U5373 | START CAPACITOR 80 mfd | |
| Capacitor | 120Z0400 | CAPACITOR 161-193µF 330V | |
| Start relay | 120Z0393 | Starting relay RVA9CKL | |
| Start relay | 120Z0394 | Starting relay RVA3EKL | |
| Start relay | 120Z0395 | Starting relay RVA4GKL | |
| Start capacitor | 120Z0399 | Start capacitor 145-175 F | |
| Relay | 123B9139 | RELAY + CON. BOARD 1166-8 BDG 1665+ NTC | |
| Run C capacitor | 123B9226 | RUN CAPACITOR 25µF/420V, REF. 310 MET. | |

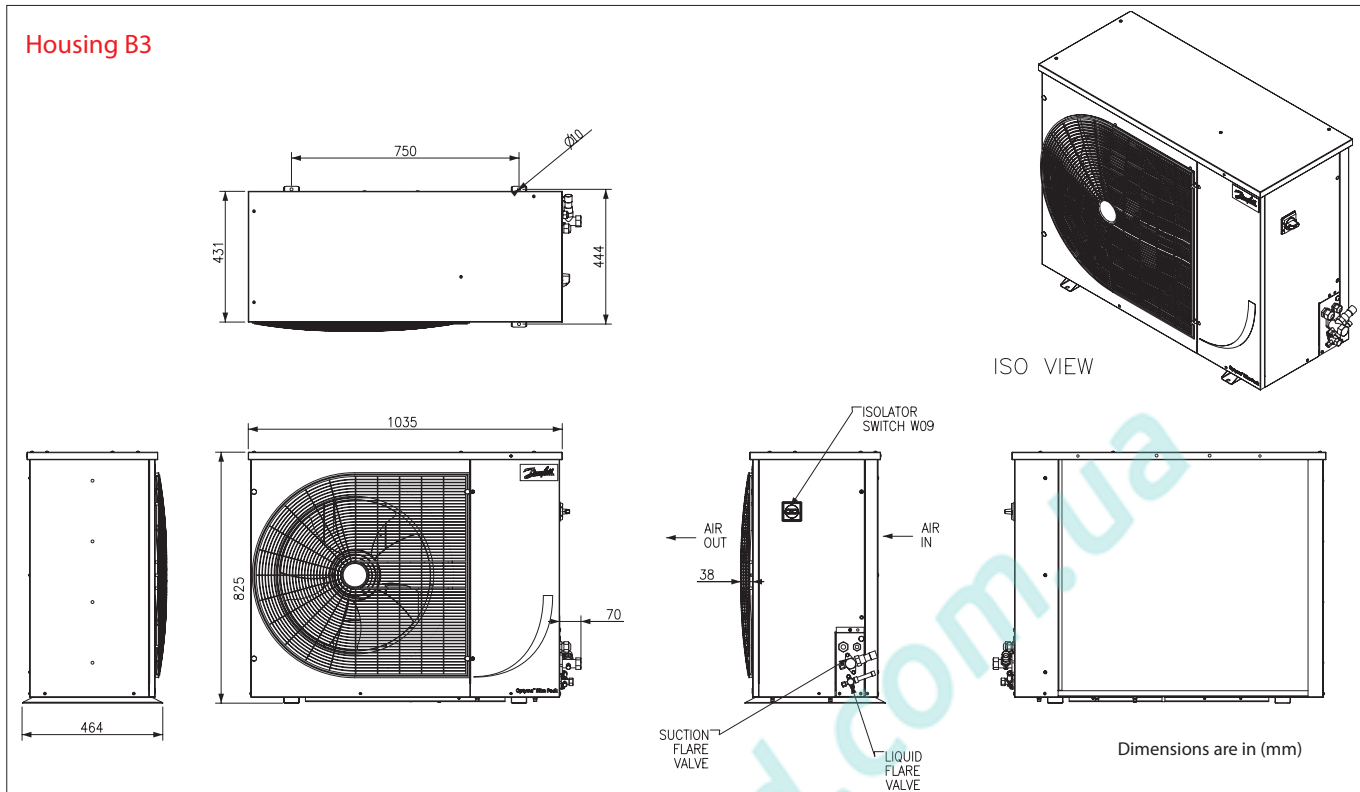
Housing B1



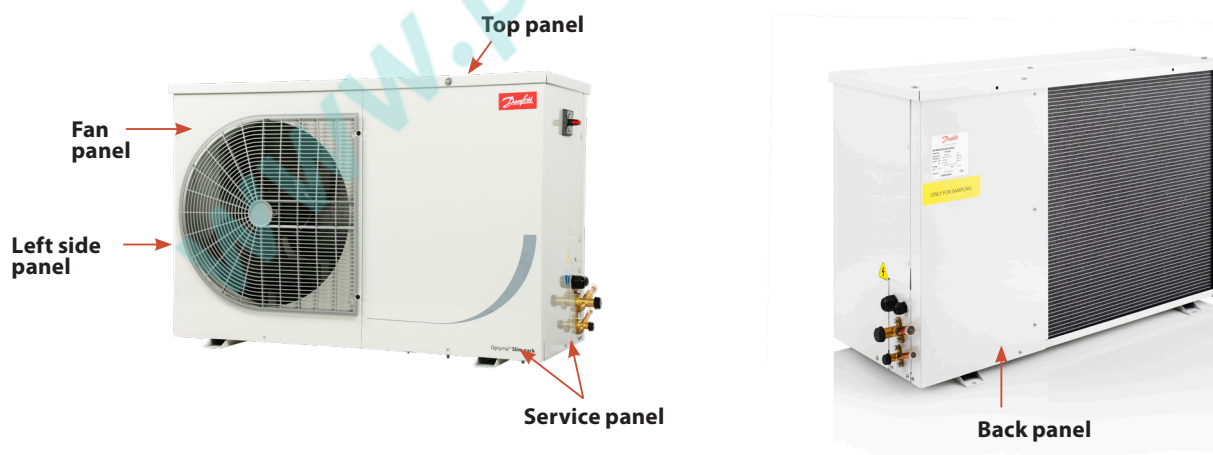
Housing B2



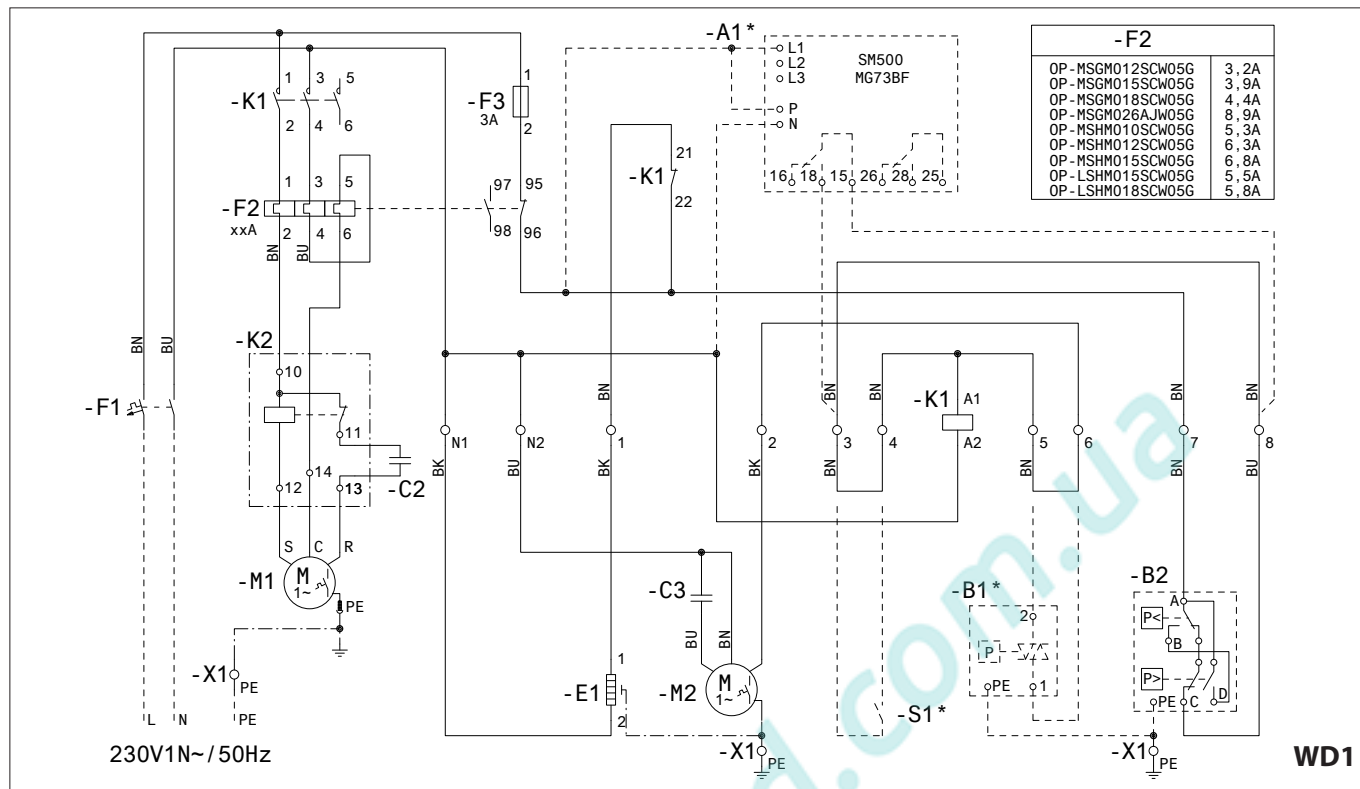
Housing B3



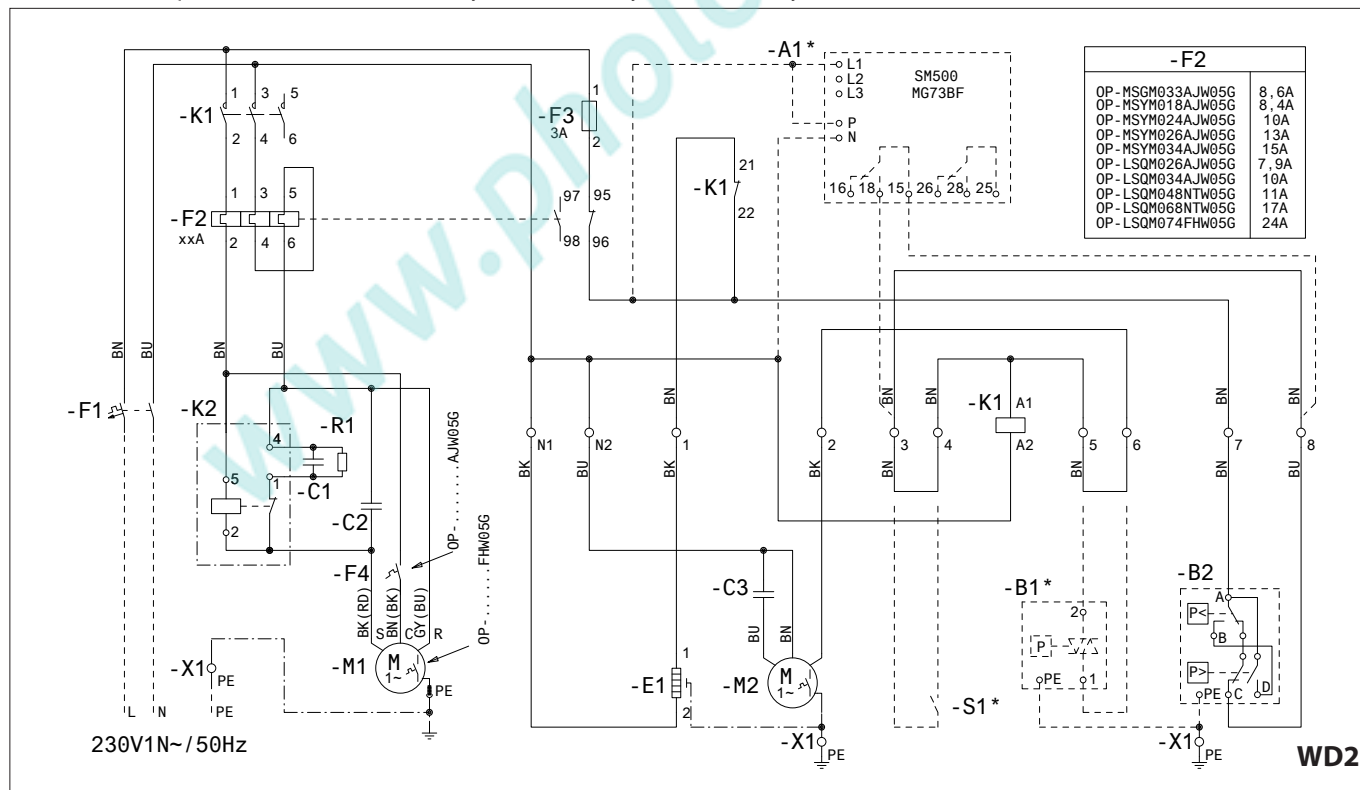
Optyma™ Plus - Housing spare parts



Code G : OP-MSGM012 - 015 - 018 - 026



Code G : OP-LSQM026 - 034 - 048 - 068 - 074, OP-MSGM033, OP-MSHM018, OP-MSYM018 - 024 - 026 - 034



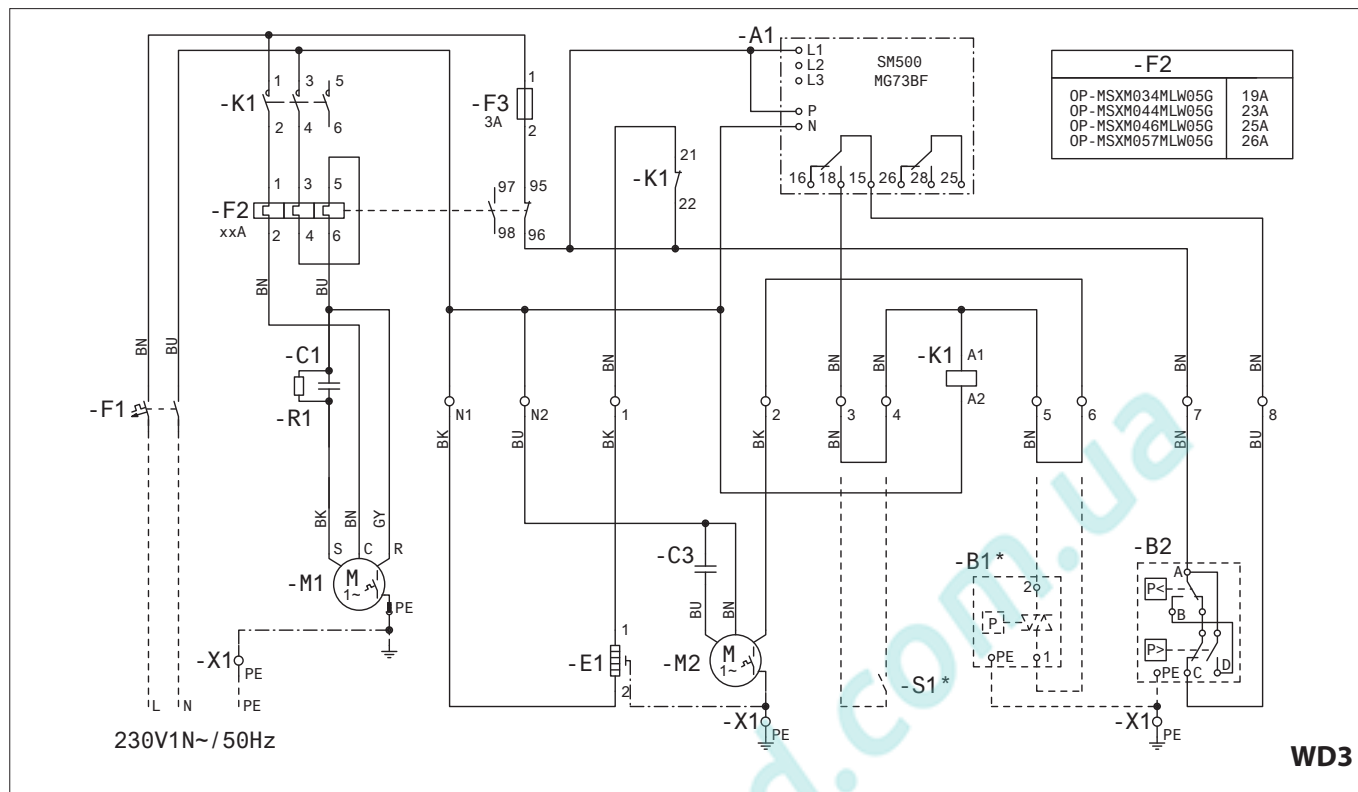
Legend
 BK black
 BU blue
 BN brown
 GY grey
 RD red
 WH white

A1* Voltage relay (option)
 B1* Fan speed controller (option)
 B2 High and Low pressure switch
 C1 Start capacitor compressor
 C2 № 1: Start capacitor compressor
 № 2: Run capacitor compressor
 C3 Run capacitor fan

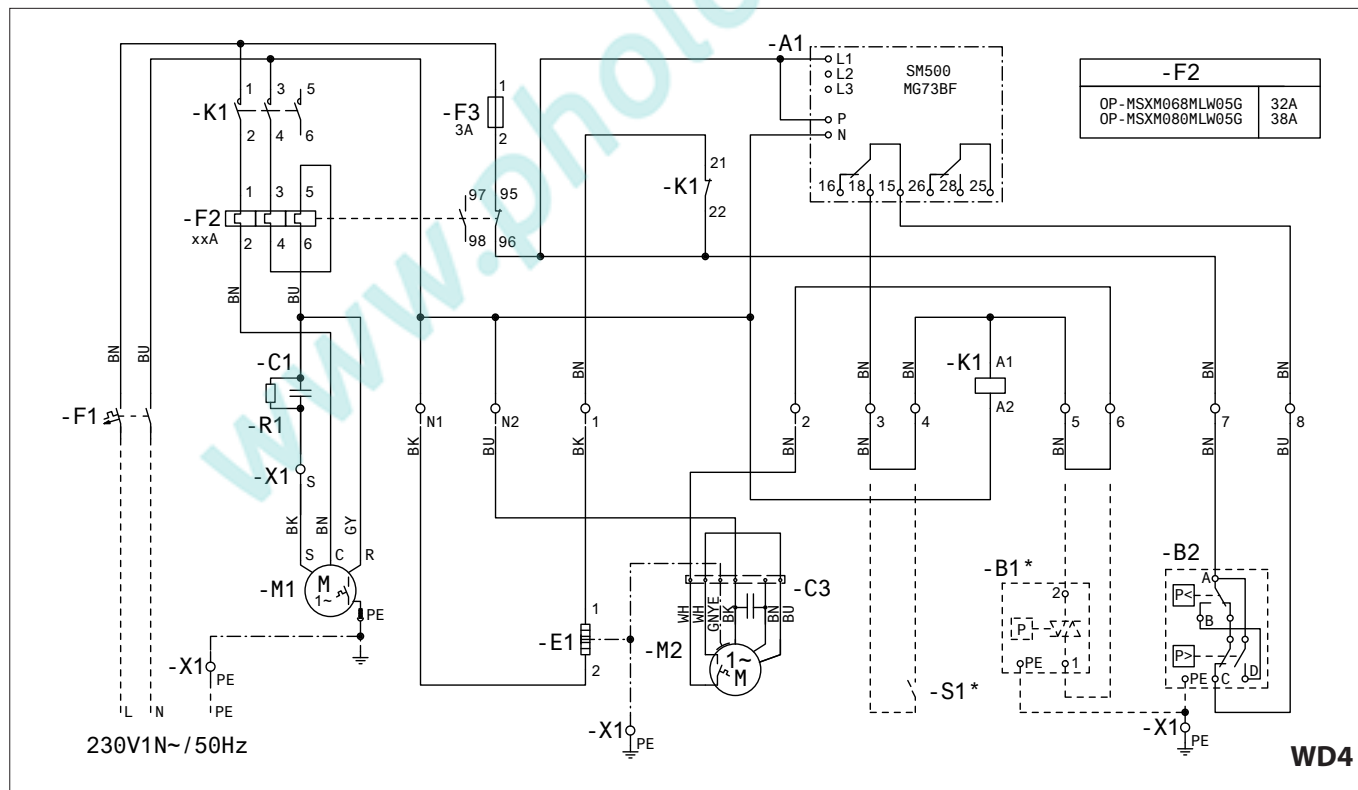
E1 Crankcase heater
 F1 Main switch
 F2 Overload relay
 F3 Fuse control circuit
 F4 Compressor thermal protector
 K1 Contactor
 K2 Start relay

M1 Compressor
 M2 Fan motor
 R1 Bleeder resistor
 S1* Room thermostat (option)
 X1 Terminals
 * Option (remove bridge)

Code G : OP-MSXM034 - 044 - 46 - 057



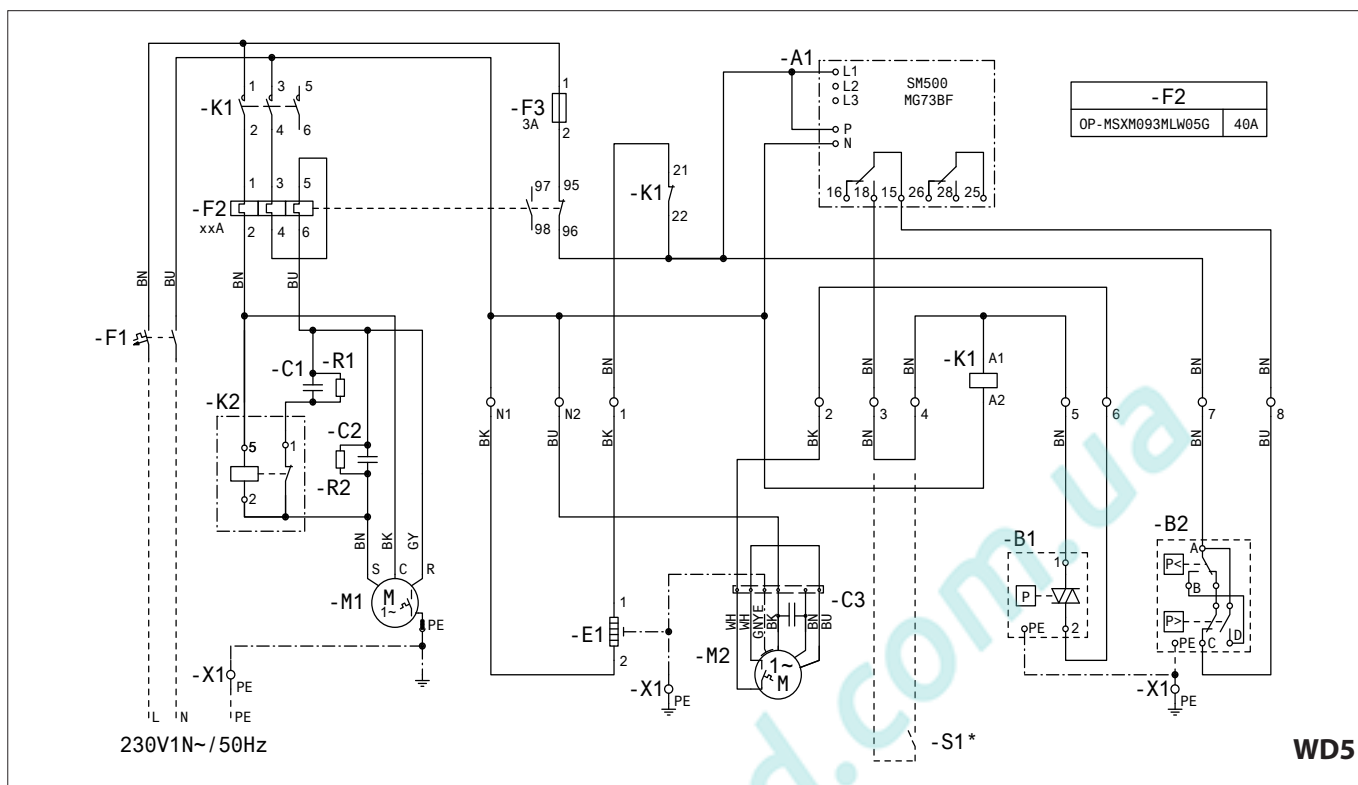
Code G : OP-MSXM068 - 080



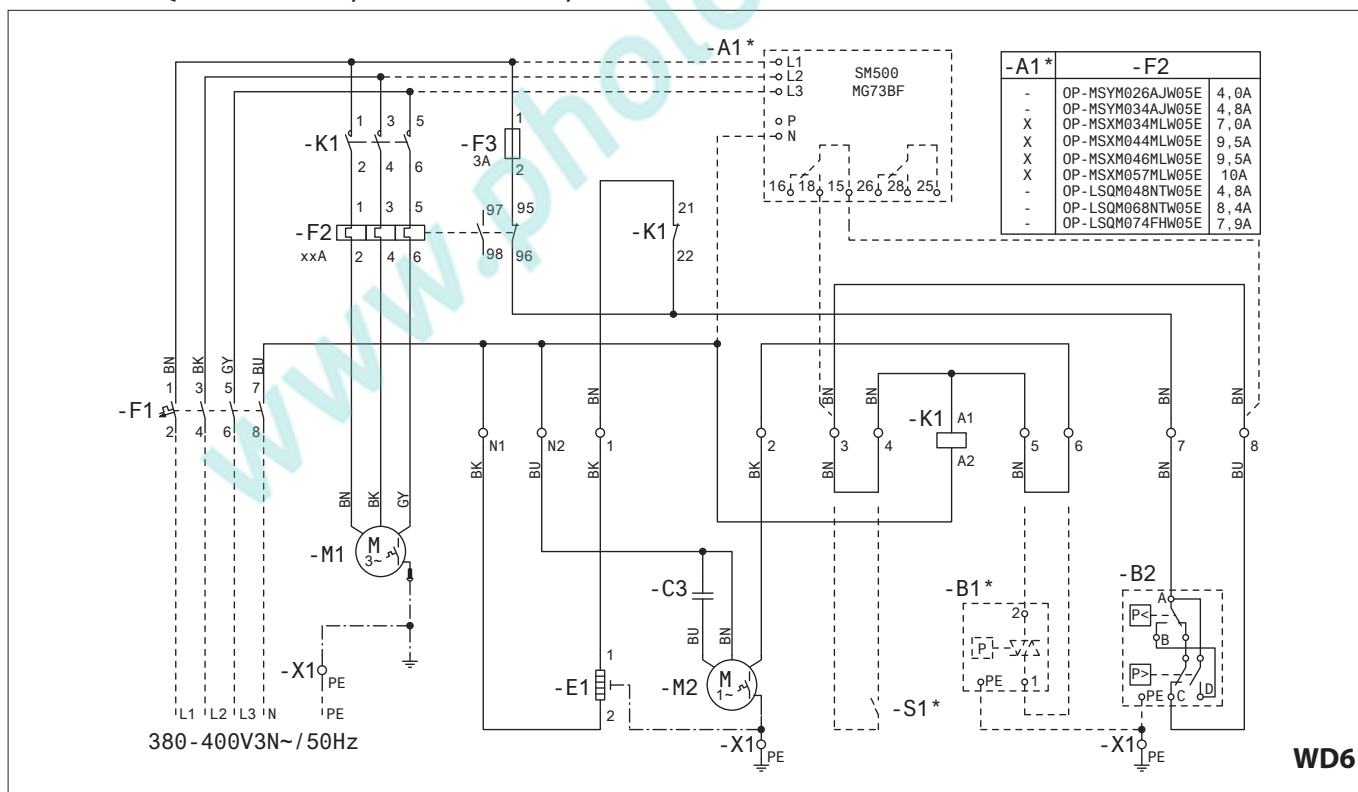
Legend

- | | | | |
|----------|-----------------------------------|-------------------------|------------------------------|
| BK black | A1 Voltage relay | F1 Main switch | M2 Fan motor |
| BU blue | B1* Fan speed controller (option) | F2 Overload relay | R1 Bleeder resistor |
| BN brown | B2 High and Low pressure switch | F3 Fuse control circuit | S1* Room thermostat (option) |
| GY grey | C1 Run capacitor compressor | K1 Contactor | X1 Terminals |
| RD red | C3 Run capacitor fan | K2 Start relay | * Option (remove bridge) |
| WH white | E1 Crankcase heater | M1 Compressor | |

Code G : OP-MSXM093



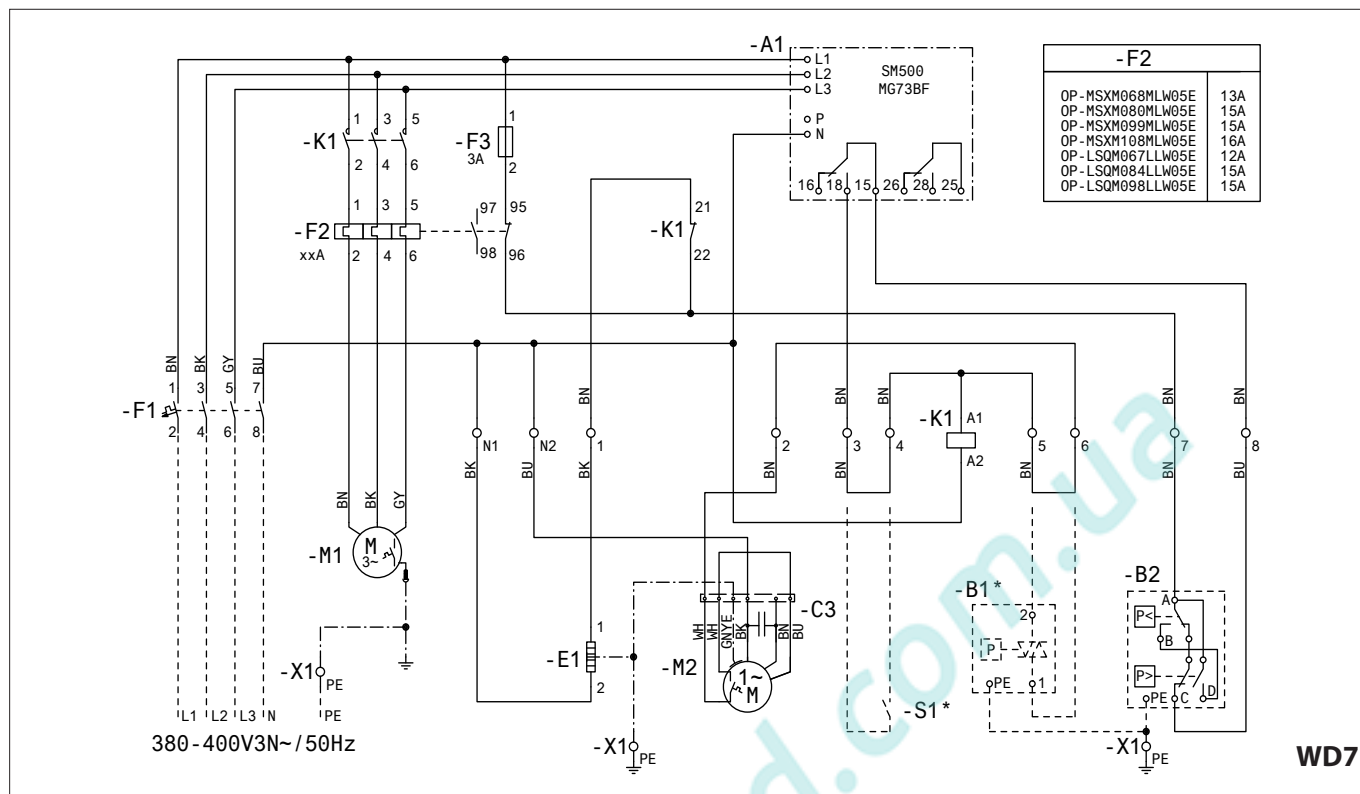
Code E : OP-LSQM048 - 068 - 074, OP-MSYM026 - 034, OP-MSXM034 - 044 - 046 - 057



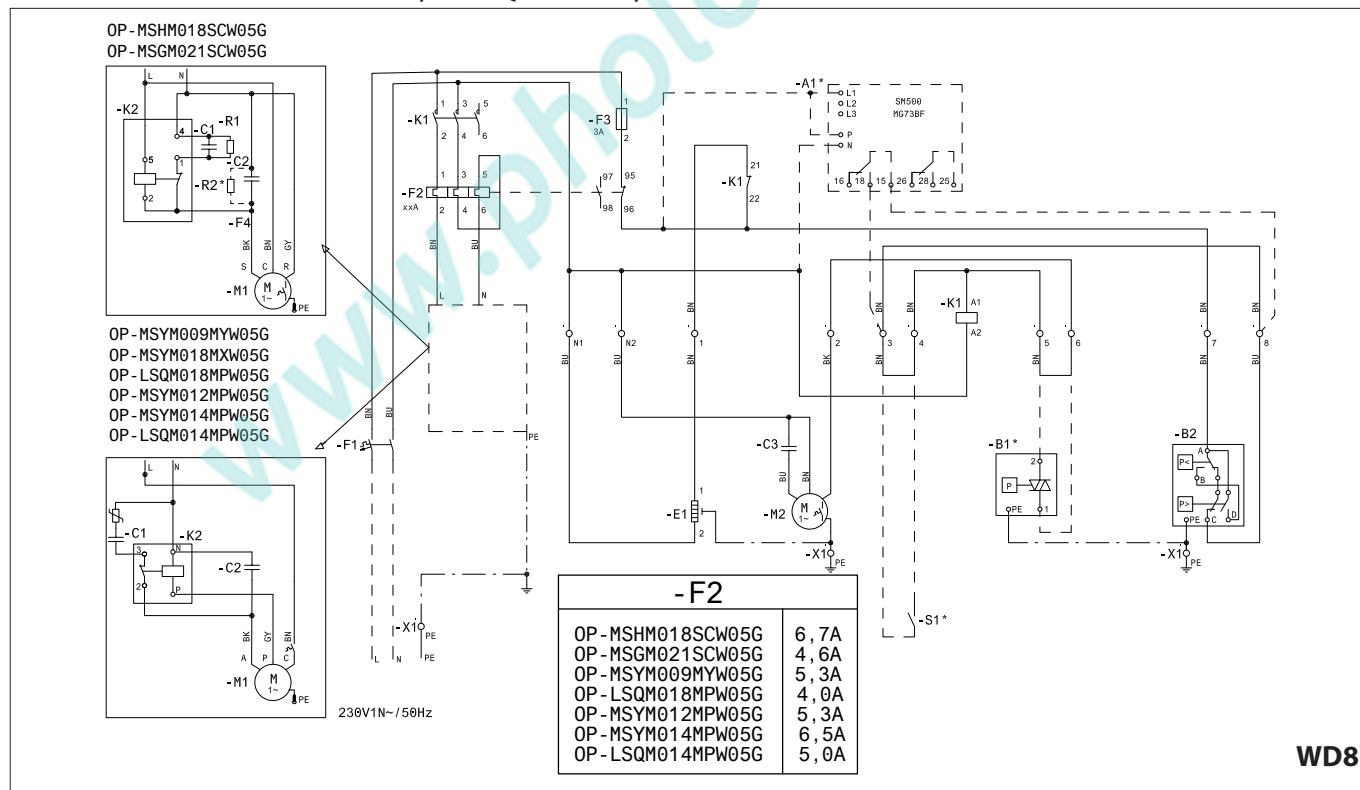
Legend

- | | | | |
|----------|-----------------------------------|-------------------------|------------------------------|
| BK black | A1* Voltage relay (option) | E1 Crankcase heater | M1 Compressor |
| BU blue | B1* Fan speed controller (option) | F1 Main switch | M2 Fan motor |
| BN brown | B2 High and Low pressure switch | F2 Overload relay | R1, R2 Bleeder resistor |
| GY grey | C1 Start capacitor compressor | F3 Fuse control circuit | S1* Room thermostat (option) |
| RD red | C2 Run capacitor compressor | K1 Contactor | X1 Terminals |
| WH white | C3 Run capacitor fan | K2 Start relay | * Option (remove bridge) |

Code E : OP-MSXM068 - 080 - 099 - 108, OP-LSQM067 - 084 - 098



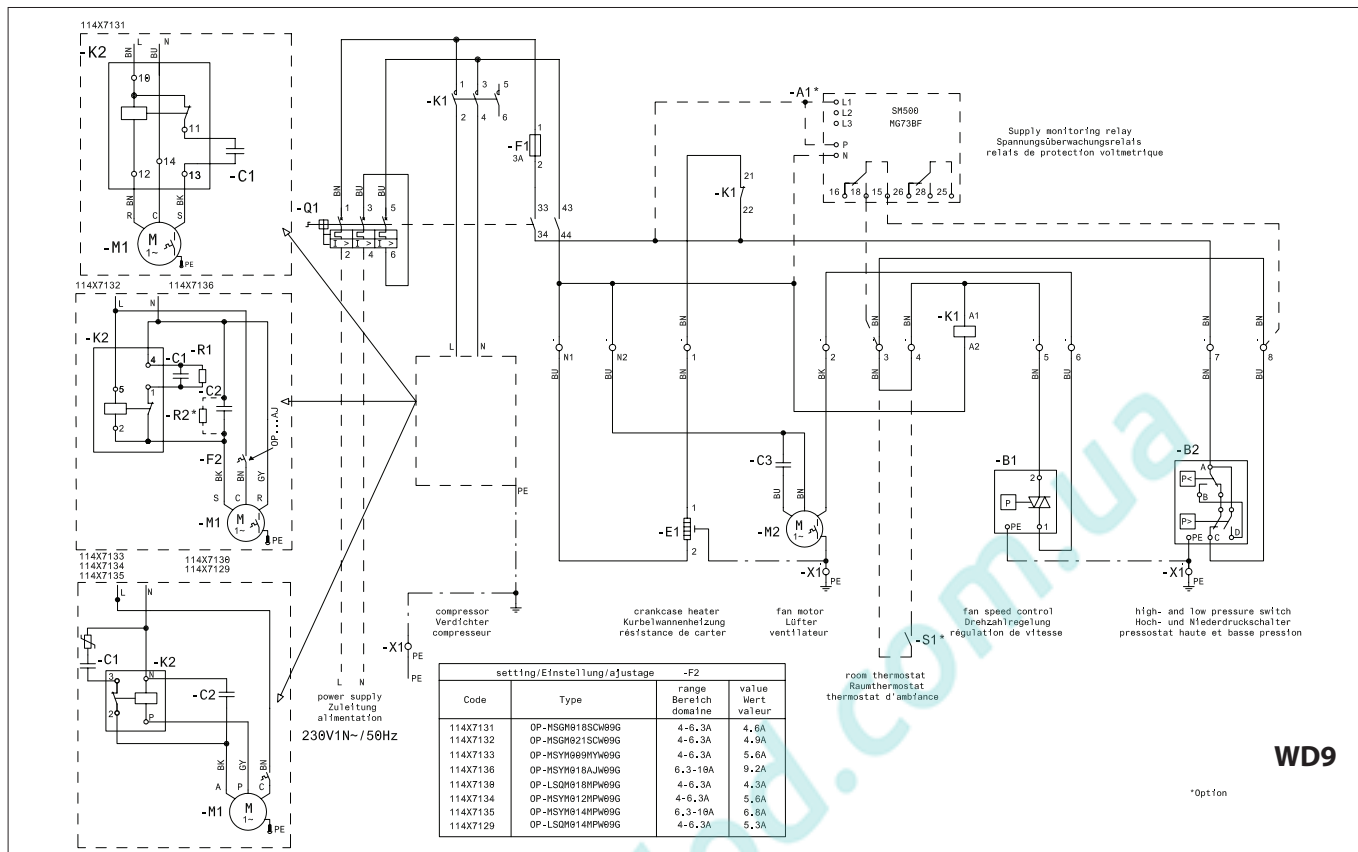
Code G : OP-MSYM009 - 012 - 014 - 018, OP-LSQM014 - 018, OP-MSGM21



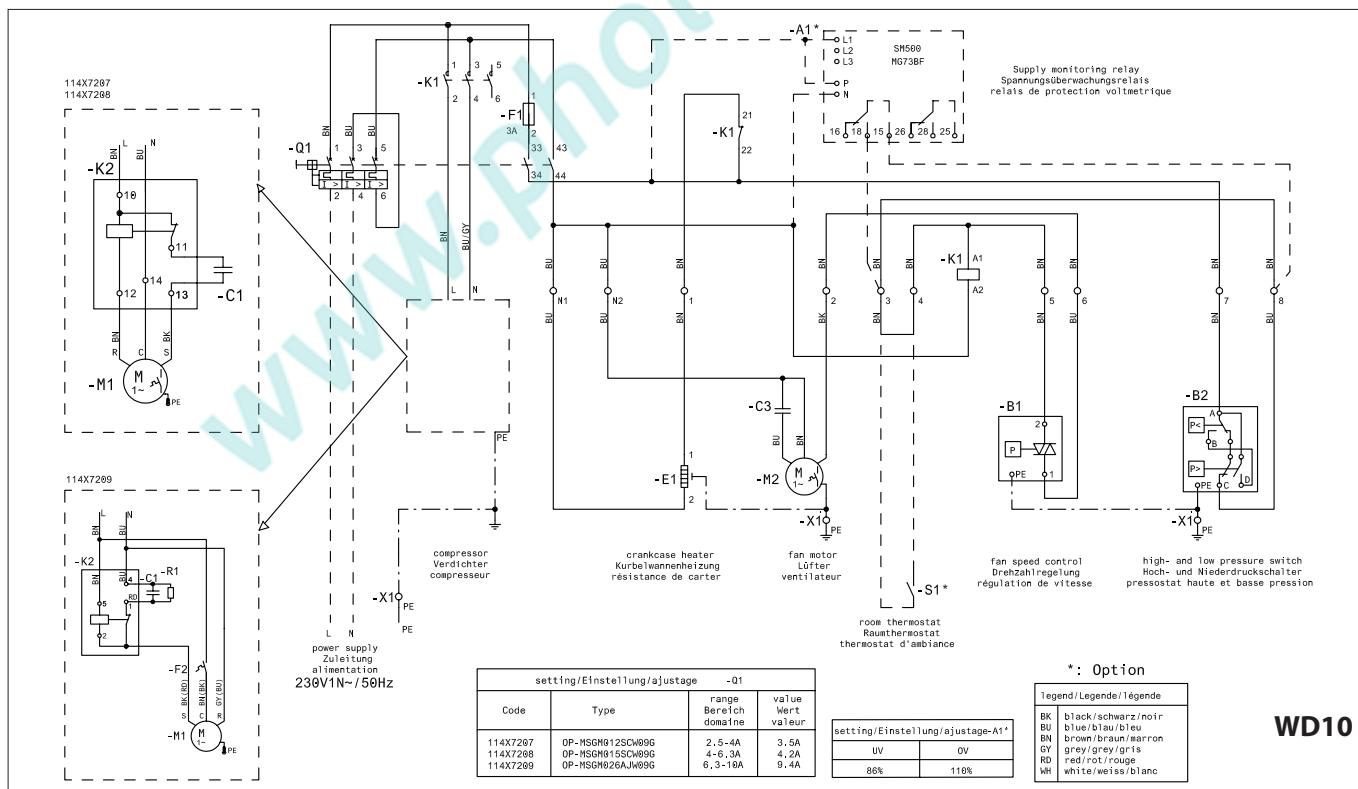
Legend

- | | | | |
|----------|-----------------------------------|-------------------------|------------------------------|
| BK black | A1* Voltage relay | E1 Crankcase heater | M1 Compressor |
| BU blue | B1* Fan speed controller (option) | F1 Main switch | M2 Fan motor |
| BN brown | B2 High and Low pressure switch | F2 Overload relay | R1, R2* Bleeder resistor |
| GY grey | C1 Start capacitor compressor | F3 Fuse control circuit | S1* Room thermostat (option) |
| RD red | C2 Run capacitor compressor | K1 Contactor | X1 Terminals |
| WH white | C3 Run capacitor fan | K2 Start relay | * Option (remove bridge) |

Code G (W09 Version): OP-LSQM014, 018, OP-MSGM018, 021, OP-MSYM009, 012, 014, OP-MSYM018



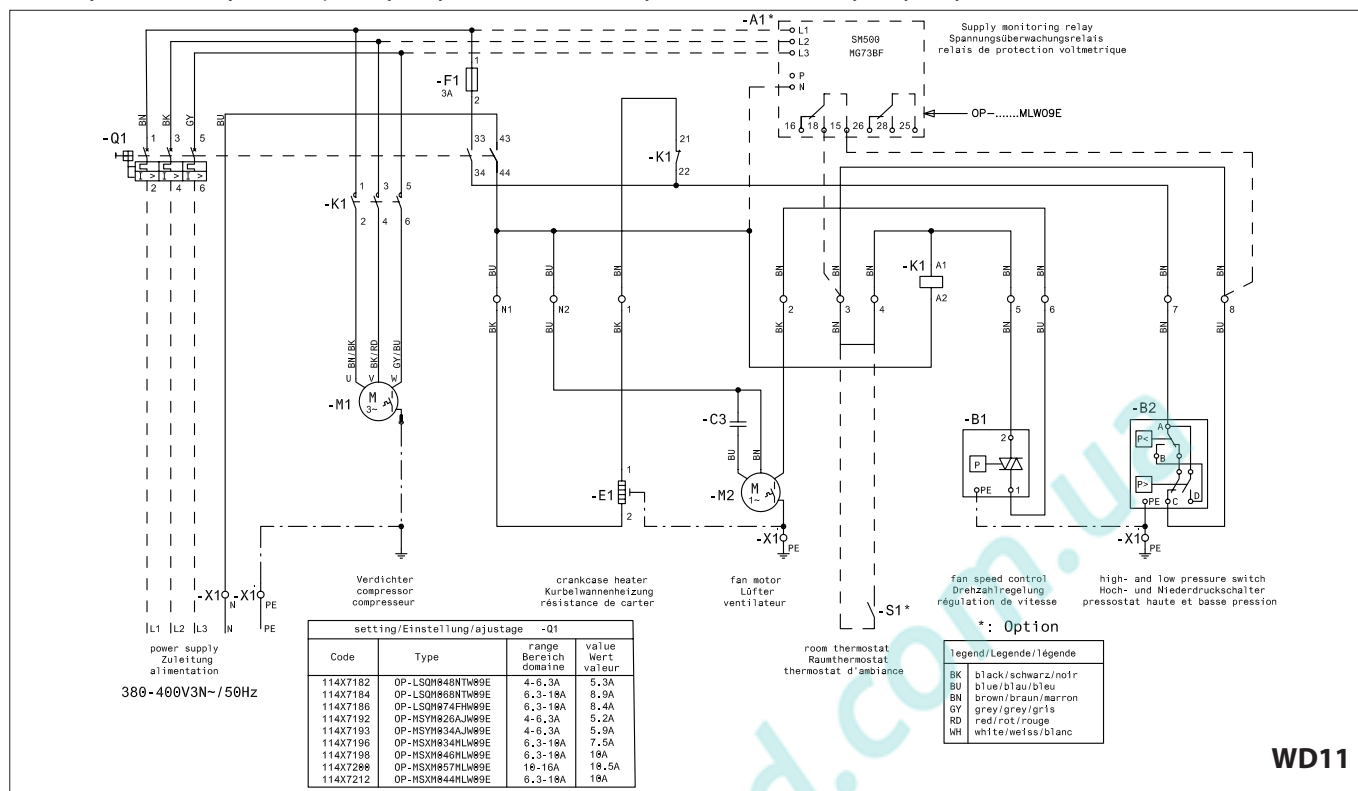
Code G (W09 Version): OP-MSGM012, 015, 026



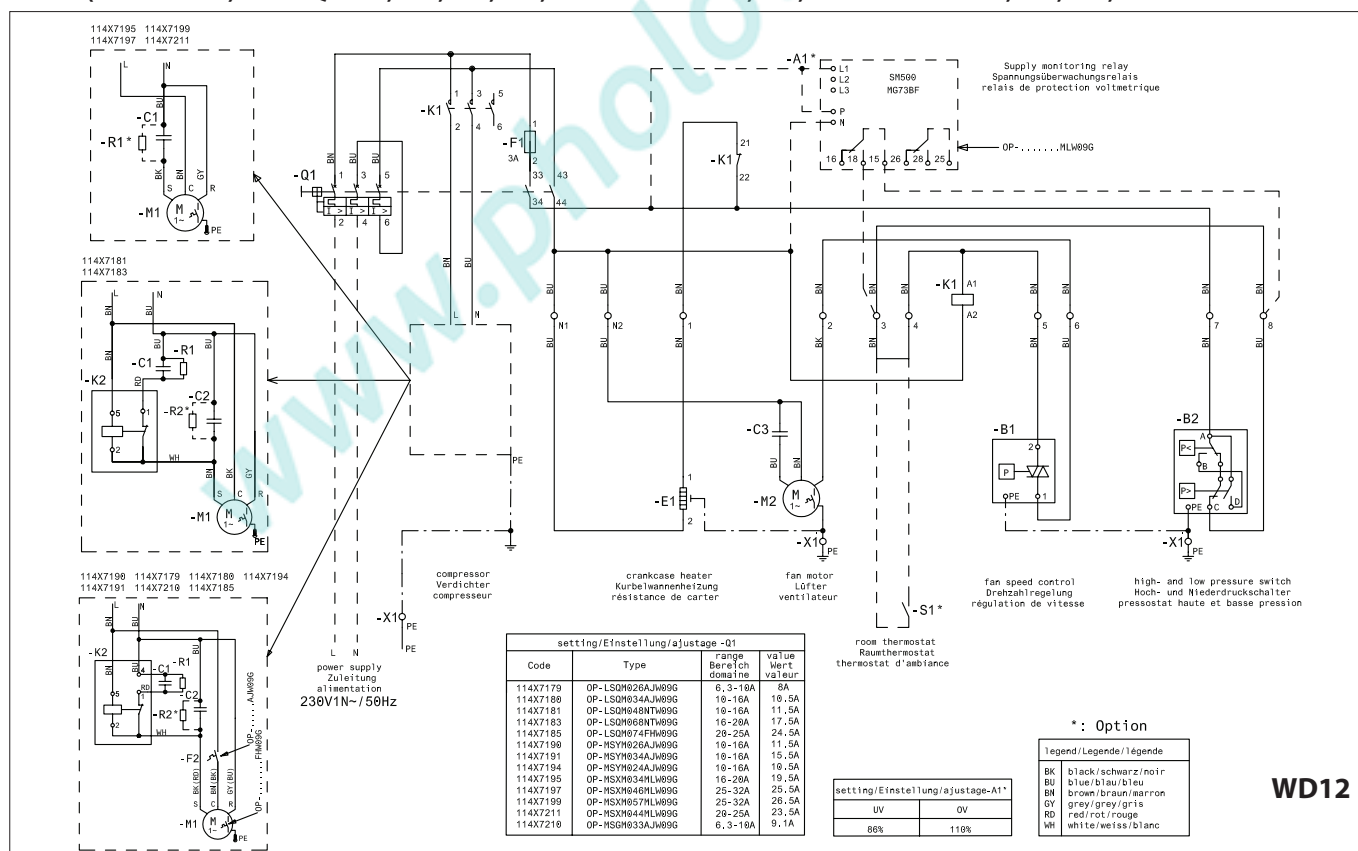
Legend

- | | | | |
|----------|---------------------------------|-------------------------|------------------------------|
| BK black | A1* Voltage relay | E1 Crankcase heater | M1 Compressor |
| BU blue | B1 Fan speed controller | F1 Main switch | M2 Fan motor |
| BN brown | B2 High and Low pressure switch | F2 Overload relay | R1, R2* Bleeder resistor |
| GY grey | C1 Start capacitor compressor | F3 Fuse control circuit | S1* Room thermostat (option) |
| RD red | C2 Run capacitor compressor | K1 Contactor | X1 Terminals |
| WH white | C3 Run capacitor fan | K2 Start relay | * Option (remove bridge) |

Code E (W09 Version): OP-LSQM048, 068, 074 OP-MSYM023, 034 OP-MSXM034, 044, 046, 057



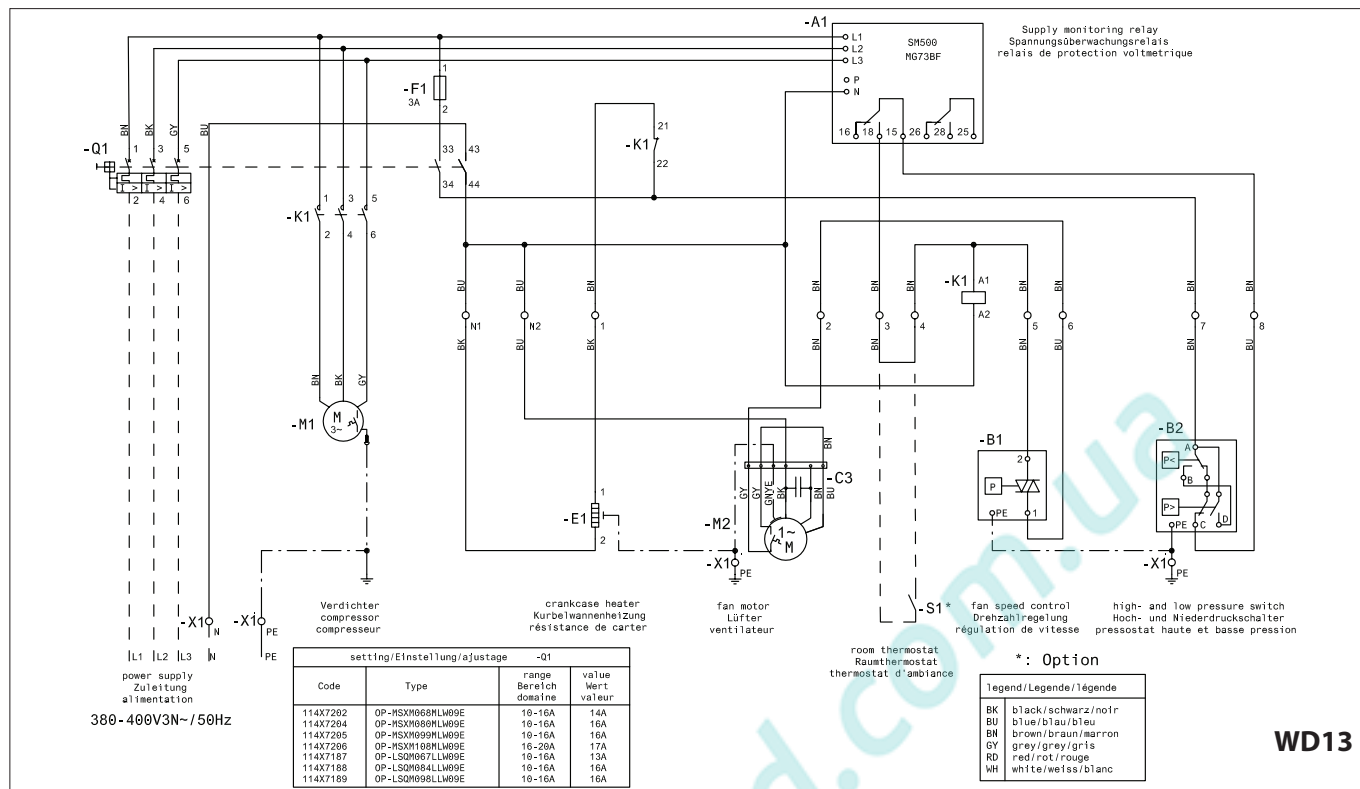
Code E (W09 Version): OP-LSQM026, 034, 048, 068, 074 OP-MSYM024, 026, 034 OP-MSXM034, 044, 046, 057 OP-MSGM033



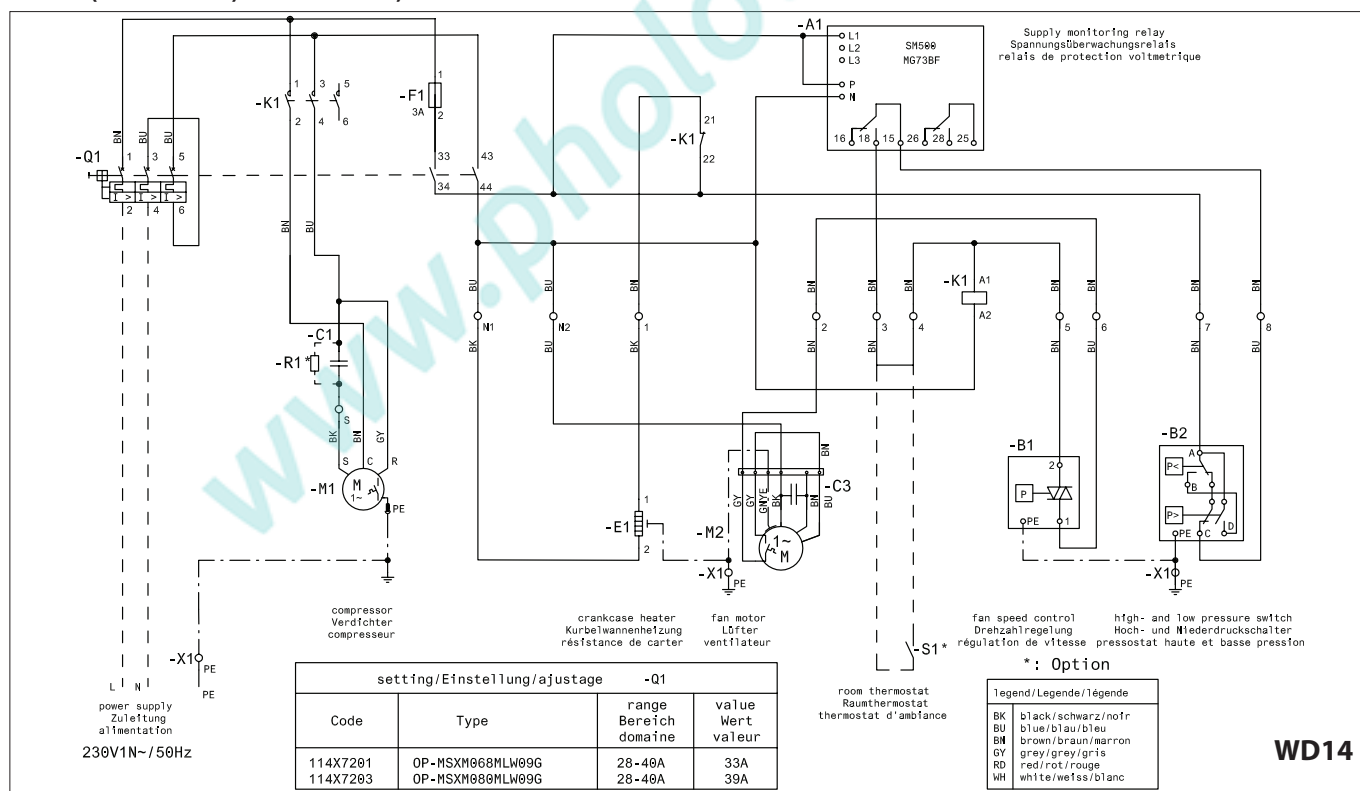
Legend

- | | | | | | | | |
|----|-------|-----|------------------------------|----|----------------------|---------|--------------------------|
| BK | black | A1* | Voltage relay | E1 | Crankcase heater | M1 | Compressor |
| BU | blue | B1 | Fan speed controller | F1 | Main switch | M2 | Fan motor |
| BN | brown | B2 | High and Low pressure switch | F2 | Overload relay | R1, R2* | Bleeder resistor |
| GY | grey | C1 | Start capacitor compressor | F3 | Fuse control circuit | S1* | Room thermostat (option) |
| RD | red | C2 | Run capacitor compressor | K1 | Contact | X1 | Terminals |
| WH | white | C3 | Run capacitor fan | K2 | Start relay | * | Option (remove bridge) |

Code E (W09 Version): OP-MSXM068, 080, 099, 108 OP-LSQM067, 084, 098



Code G (W09 Version): OP-MSXM068, 080



Legend

BK black
BU blue
BN brown
GY grey
RD red
WH white

A1* Voltage relay
B1 Fan speed controller
B2 High and Low pressure switch
C1 Start capacitor compressor
C2 Run capacitor compressor
C3 Run capacitor fan

E1 Crankcase heater
F1 Fan speed controller
F2 Overload relay
F3 Fuse control circuit
K1 Contactor
K2 Start relay

M1 Compressor
M2 Fan motor
R1, R2* Bleeder resistor
S1* Room thermostat (option)
X1 Terminals
* Option (remove bridge)

Optyma™ Plus

Equipped for **quietness** and **top performance**

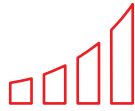
The same robust quality with added technology and smarter design. That's a seriously cool combination.

50%
less installation time.
A fast fit that lets you
keep up the tempo



Quick and safe installation and service

It is another step forward in plug and play. It will not just save you valuable time in installation, set up and service, it will also reduce your customers' bill.



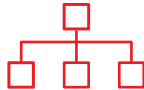
High SEPR*

All models in the range are highly efficient and well above EcoDesign 2018 thresholds, contributing to a reduction in energy costs.
*SEPR: Seasonal Energy Performance Ratio.



The best sound performance in the market

Due to its long-life compressor, acoustic insulation, component design as well as intelligent fan speed reduction during low capacity operation.



Connectivity

Contributes to considerable energy savings, making the Optyma™ Plus up to 20% more economical than an equivalent product.



High efficiency to the top

In-field stacking cuts costs

With its unique load-bearing design, it's possible to stack units in the field. This cuts installation time, and saves on carpentry and brackets to reduce cost.

Compact cabinet speeds installation

New compact design makes it easier to maneuver when fitting in tight spaces, saving installation time.



Accessibility to speed up service

Easier and quicker accessibility to all components with new double door design – saves time during servicing, maintenance and repair.

Intelligent technology speeds start-up and enhances reliability

Preset parameters make it easier to get it right from the start. Fewer mistakes reduce the risk of damage and save time and money on repairs.

High SEPR/COP cuts energy costs

E.g. in a cold room where frozen food is stored and with 4.2 kW of cooling capacity.

Optyma™ Plus LBP unit vs equivalent unit in the market*

Cooling cap.:
4.2 kW
Refrigerant:
R452A



| UNIT | Danfoss | Market |
|-------|--------------|--------------|
| COP | 1.08 | 0.97 |
| USAGE | ~ 25 820 kWh | ~ 30 012 kWh |

Annual energy consumption saved: 4 192 kWh

Savings based on cost of energy:

FRANCE: 0.11€ / 1 KWH = 4 192 x 0.11 = 461€
UK: 0.15€ / 1 KWH = 4 192 x 0.15 = 629€
GERMANY: 0.20€ / 1 KWH = 4 192 x 0.20 = 838€

848€ annual electricity savings made by your customer in Germany

* Source: Danfoss

| Model | Code | Version | Compressor | Electrical code (1) | Tamb [°C] | Cooling capacity Q [kW] (2) | | | | | | | EcoDesign (3) | | | | Sound power level dB(A) | Sound pressure level 10 m dB(A) |
|--------------|----------|---------|------------|---------------------|-----------|-----------------------------|-------|-------|--------|--------|--------|--------|---------------|--------|------|------|-------------------------|---------------------------------|
| | | | | | | Te [°C] | | | | | | | Q [kW] | P [kW] | COP | SEPR | | |
| | | | | | | -40°C | -35°C | -30°C | -25°C | -20°C | -15°C | -10°C | | | | | | |
| OP-LPQM017MP | 114X3118 | P00 | MPT16LA | G | 27 | 0.443 | 0.583 | 0.735 | 0.897 | 1.070 | 1.253 | | | | | | | |
| | | | | | 32 | 0.396 | 0.522 | 0.661 | 0.810 | 0.971 | 1.142 | 0.441 | 0.465 | 0.95 | | 60 | 29 | |
| | | | | | 38 | 0.340 | 0.450 | 0.572 | 0.707 | 0.853 | 1.009 | | | | | | | |
| | | | | | 43 | 0.293 | 0.390 | 0.499 | 0.621 | 0.754 | 0.899 | | | | | | | |
| OP-LPQM026AJ | 114X3216 | P00 | CAJ2446Z | G | 27 | 0.472 | 0.659 | 0.881 | 1.144 | 1.447 | 1.794 | 2.184 | | | | | | |
| | | | | | 32 | 0.408 | 0.581 | 0.788 | 1.031 | 1.312 | 1.634 | 1.997 | 0.644 | 0.671 | 0.96 | | 67 | 36 |
| | | | | | 38 | 0.489 | 0.675 | 0.894 | 1.148 | 1.439 | 1.769 | | | | | | | |
| | | | | | 43 | 0.414 | 0.582 | 0.780 | 1.010 | 1.275 | 1.577 | | | | | | | |
| OP-LPQM048NT | 114X3225 | P00 | NTZ048-5 | G | 27 | 0.771 | 1.090 | 1.478 | 1.931 | 2.446 | 3.018 | 3.641 | | | | | | |
| | | | | | 32 | 0.655 | 0.948 | 1.303 | 1.718 | 2.191 | 2.717 | 3.291 | 1.053 | 0.950 | 1.11 | | 69 | 38 |
| | | | | | 38 | 0.529 | 0.790 | 1.105 | 1.475 | 1.896 | 2.366 | 2.880 | | | | | | |
| | | | | | 43 | 0.433 | 0.667 | 0.950 | 1.281 | 1.660 | 2.082 | 2.545 | | | | | | |
| OP-LPQM048NT | 114X3233 | P00 | NTZ048-4 | E | 27 | 0.778 | 1.076 | 1.438 | 1.860 | 2.340 | 2.873 | 3.454 | | | | | | |
| | | | | | 32 | 0.679 | 0.947 | 1.273 | 1.655 | 2.092 | 2.579 | 3.112 | 1.054 | 0.981 | 1.07 | | 69 | 38 |
| | | | | | 38 | 0.572 | 0.805 | 1.089 | 1.424 | 1.809 | 2.241 | 2.716 | | | | | | |
| | | | | | 43 | 0.491 | 0.695 | 0.945 | 1.242 | 1.584 | 1.969 | 2.396 | | | | | | |
| OP-LPQM068NT | 114X3241 | P00 | NTZ068-5 | G | 27 | 1.241 | 1.667 | 2.151 | 2.688 | 3.273 | 3.897 | 4.550 | | | | | | |
| | | | | | 32 | 1.052 | 1.447 | 1.895 | 2.392 | 2.932 | 3.508 | 4.110 | 1.619 | 1.627 | 1.00 | | 70 | 39 |
| | | | | | 38 | 0.833 | 1.192 | 1.597 | 2.045 | 2.530 | 3.047 | 3.586 | | | | | | |
| | | | | | 43 | 0.659 | 0.987 | 1.355 | 1.762 | 2.201 | 2.668 | 3.153 | | | | | | |
| OP-LPQM074FH | 114X3252 | P00 | FH2511Z | G | 27 | 1.062 | 1.511 | 2.037 | 2.641 | 3.324 | 4.085 | 4.919 | | | | | | |
| | | | | | 32 | 0.889 | 1.310 | 1.801 | 2.365 | 3.003 | 3.713 | 4.492 | 1.458 | 1.539 | 0.95 | | 69 | 38 |
| | | | | | 38 | 0.700 | 1.070 | 1.518 | 2.033 | 2.614 | 3.262 | 3.975 | | | | | | |
| | | | | | 43 | 0.874 | 1.286 | 1.757 | 2.290 | 2.886 | 3.542 | | | | | | | |
| OP-LPQM074FH | 114X3253 | P00 | TFH2511Z | E | 27 | 1.001 | 1.415 | 1.897 | 2.442 | 3.044 | 3.695 | 4.384 | | | | | | |
| | | | | | 32 | 0.841 | 1.221 | 1.664 | 2.166 | 2.722 | 3.324 | 3.964 | 1.362 | 1.390 | 0.98 | | 69 | 38 |
| | | | | | 38 | 0.700 | 1.003 | 1.398 | 1.848 | 2.347 | 2.890 | 3.467 | | | | | | |
| | | | | | 43 | 0.835 | 1.190 | 1.595 | 2.045 | 2.536 | 3.059 | | | | | | | |
| OP-LPQM068NT | 114X3249 | P00 | NTZ068-4 | E | 27 | 1.215 | 1.655 | 2.158 | 2.712 | 3.299 | 3.898 | 4.484 | | | | | | |
| | | | | | 32 | 1.056 | 1.459 | 1.918 | 2.421 | 2.952 | 3.491 | 4.014 | 1.632 | 1.404 | 1.16 | | 70 | 39 |
| | | | | | 38 | 0.864 | 1.223 | 1.629 | 2.070 | 2.534 | 3.000 | 3.446 | | | | | | |
| | | | | | 43 | 0.708 | 1.028 | 1.388 | 1.778 | 2.184 | 2.588 | 2.969 | | | | | | |
| OP-LPQM096NT | 114X3357 | P00 | NTZ096-4 | E | 27 | 1.487 | 2.022 | 2.651 | 3.363 | 4.142 | 4.972 | 5.836 | | | | | | |
| | | | | | 32 | 1.289 | 1.773 | 2.344 | 2.990 | 3.699 | 4.454 | 5.241 | 1.984 | 1.863 | 1.07 | | 72 | 41 |
| | | | | | 38 | 1.063 | 1.484 | 1.982 | 2.549 | 3.173 | 3.838 | 4.532 | | | | | | |
| | | | | | 43 | 0.887 | 1.253 | 1.691 | 2.190 | 2.741 | 3.330 | 3.943 | | | | | | |
| OP-LPQM136NT | 114X3365 | P00 | NTZ136-4 | E | 27 | 2.700 | 3.657 | 4.822 | 6.198 | 7.785 | 9.578 | 11.566 | | | | | | |
| | | | | | 32 | 2.380 | 3.243 | 4.298 | 5.548 | 6.997 | 8.640 | 10.472 | 3.602 | 2.975 | 1.21 | 1.63 | 73 | 42 |
| | | | | | 38 | 2.025 | 2.779 | 3.703 | 4.804 | 6.086 | 7.550 | 9.193 | | | | | | |
| | | | | | 43 | 1.751 | 2.417 | 3.234 | 4.211 | 5.355 | 6.669 | 8.154 | | | | | | |
| OP-LPQM215LL | 114X3476 | P00 | LLZ024T4 | E | 27 | 3.619 | 4.605 | 5.778 | 7.161 | 8.770 | 10.623 | 12.731 | | | | | | |
| | | | | | 32 | 3.345 | 4.266 | 5.360 | 6.650 | 8.154 | 9.889 | 11.869 | 4.746 | 3.940 | 1.20 | 1.67 | 78 | 47 |
| | | | | | 38 | 3.005 | 3.841 | 4.834 | 6.005 | 7.376 | 8.963 | 10.784 | | | | | | |
| | | | | | 43 | 2.712 | 3.472 | 4.374 | 5.442 | 6.696 | 8.155 | 9.837 | | | | | | |
| OP-LPQM271LL | 114X3482 | P00 | LLZ034T4 | E | 27 | 5.186 | 6.570 | 8.201 | 10.101 | 12.287 | 14.769 | 17.551 | | | | | | |
| | | | | | 32 | 4.780 | 6.066 | 7.578 | 9.340 | 11.369 | 13.678 | 16.274 | 6.782 | 5.457 | 1.24 | 1.74 | 78 | 47 |
| | | | | | 38 | 4.278 | 5.437 | 6.798 | 8.385 | 10.217 | 12.310 | 14.673 | | | | | | |
| | | | | | 43 | 3.847 | 4.893 | 6.120 | 7.553 | 9.214 | 11.119 | 13.281 | | | | | | |

LBP

(1) G - Compressor 230V/1~/50Hz, fan 230V/1~/50Hz
 E - Compressor 400V/3~/50Hz, fan 230V/1~/50Hz

(2) Nominal conditions (EN13215), Evaporating temperatures at dew point, Superheat 10K, Subcooling 0K

(3) Rated conditions (EN13215), Evaporating temperature (dew point) -35°C, Ambient air temperature +32°C, Return Gas Temperature 20°C, Subcooling 0K

SEPR, Seasonal Energy Performance Ratio

Q [kW], Cooling Capacity

P [kW], Power Input



For regular updates and detailed capacities, please refer to **Coolselector®2** software



| Model | Code | Version | Compressor | Electrical code (1) | Tamb [°C] | Cooling capacity Q [kW] (2) | | | | | | | EcoDesign (3) | | | | Sound power level dB(A) | Sound pressure level 10 m dB(A) | | | |
|--------------|----------|---------|------------|---------------------|-----------|-----------------------------|-------|-------|--------|--------|--------|--------|---------------|--------|------|------|-------------------------|---------------------------------|----|--|--|
| | | | | | | Te [°C] | | | | | | | Q [kW] | P [kW] | COP | SEPR | | | | | |
| | | | | | | -40°C | -35°C | -30°C | -25°C | -20°C | -15°C | -10°C | | | | | | | | | |
| OP-LPQM017MP | 114X3118 | P00 | MPT16LA | G | 27 | | 0.535 | 0.710 | 0.903 | 1.115 | 1.345 | 1.594 | | | | | | | | | |
| | | | | | 32 | | 0.480 | 0.638 | 0.816 | 1.013 | 1.228 | 1.463 | 0.540 | 0.504 | 1.07 | | | 60 | 29 | | |
| | | | | | 38 | | 0.413 | 0.553 | 0.712 | 0.890 | 1.088 | 1.305 | | | | | | | | | |
| | | | | | 43 | | 0.359 | 0.483 | 0.626 | 0.789 | 0.971 | 1.173 | | | | | | | | | |
| OP-LPQM026AJ | 114X3216 | P00 | CAJ2446Z | G | 27 | 0.526 | 0.732 | 0.978 | 1.268 | 1.606 | 1.993 | 2.432 | | | | | | | | | |
| | | | | | 32 | 0.455 | 0.645 | 0.872 | 1.140 | 1.451 | 1.809 | 2.216 | 0.724 | 0.715 | 1.01 | | | 67 | 36 | | |
| | | | | | 38 | 0.371 | 0.541 | 0.745 | 0.985 | 1.265 | 1.588 | 1.957 | | | | | | | | | |
| | | | | | 43 | 0.457 | 0.641 | 0.857 | 1.111 | 1.404 | 1.739 | | | | | | | | | | |
| OP-LPQM048NT | 114X3225 | P00 | NTZ048-5 | G | 27 | 0.776 | 1.134 | 1.568 | 2.083 | 2.677 | 3.349 | 4.098 | | | | | | | | | |
| | | | | | 32 | 0.651 | 0.981 | 1.381 | 1.853 | 2.398 | 3.017 | 3.706 | 1.104 | 1.097 | 1.01 | | | 69 | 38 | | |
| | | | | | 38 | 0.501 | 0.798 | 1.155 | 1.576 | 2.062 | 2.615 | 3.232 | | | | | | | | | |
| | | | | | 43 | 0.381 | 0.647 | 0.968 | 1.345 | 1.782 | 2.279 | 2.836 | | | | | | | | | |
| OP-LPQM048NT | 114X3233 | P00 | NTZ048-4 | E | 27 | 0.783 | 1.143 | 1.572 | 2.072 | 2.645 | 3.290 | 4.007 | | | | | | | | | |
| | | | | | 32 | 0.670 | 1.000 | 1.392 | 1.849 | 2.371 | 2.960 | 3.615 | 1.126 | 0.997 | 1.13 | | | 69 | 38 | | |
| | | | | | 38 | 0.536 | 0.831 | 1.179 | 1.583 | 2.044 | 2.565 | 3.147 | | | | | | | | | |
| | | | | | 43 | 0.427 | 0.692 | 1.003 | 1.363 | 1.775 | 2.240 | 2.760 | | | | | | | | | |
| OP-LPQM074FH | 114X3253 | P00 | TFH2511Z | E | 27 | 1.177 | 1.670 | 2.254 | 2.931 | 3.695 | 4.543 | 5.468 | | | | | | | | | |
| | | | | | 32 | 0.985 | 1.434 | 1.969 | 2.588 | 3.291 | 4.074 | 4.931 | 1.620 | 1.514 | 1.07 | | | 69 | 38 | | |
| | | | | | 38 | 0.776 | 1.173 | 1.646 | 2.197 | 2.825 | 3.528 | 4.301 | | | | | | | | | |
| | | | | | 43 | 0.620 | 0.972 | 1.394 | 1.887 | 2.452 | 3.087 | 3.789 | | | | | | | | | |
| OP-LPQM074FH | 114X3252 | P00 | FH2511Z | G | 27 | 1.176 | 1.664 | 2.235 | 2.890 | 3.630 | 4.455 | 5.361 | | | | | | | | | |
| | | | | | 32 | 0.983 | 1.439 | 1.971 | 2.580 | 3.268 | 4.034 | 4.877 | 1.627 | 1.662 | 0.98 | | | 69 | 38 | | |
| | | | | | 38 | 0.756 | 1.172 | 1.655 | 2.207 | 2.831 | 3.526 | 4.292 | | | | | | | | | |
| | | | | | 43 | 0.573 | 0.955 | 1.395 | 1.899 | 2.468 | 3.102 | 3.803 | | | | | | | | | |
| OP-LPQM068NT | 114X3241 | P00 | NTZ068-5 | G | 27 | 1.332 | 1.793 | 2.348 | 2.994 | 3.730 | 4.548 | 5.440 | | | | | | | | | |
| | | | | | 32 | 1.189 | 1.608 | 2.110 | 2.694 | 3.358 | 4.098 | 4.905 | 1.826 | 1.730 | 1.06 | | | 70 | 39 | | |
| | | | | | 38 | 1.017 | 1.388 | 1.828 | 2.338 | 2.918 | 3.564 | 4.270 | | | | | | | | | |
| | | | | | 43 | 0.873 | 1.205 | 1.594 | 2.044 | 2.554 | 3.123 | 3.745 | | | | | | | | | |
| OP-LPQM068NT | 114X3249 | P00 | NTZ068-4 | E | 27 | 1.359 | 1.860 | 2.443 | 3.107 | 3.852 | 4.672 | 5.563 | | | | | | | | | |
| | | | | | 32 | 1.172 | 1.629 | 2.162 | 2.770 | 3.451 | 4.204 | 5.024 | 1.845 | 1.613 | 1.14 | | | 70 | 39 | | |
| | | | | | 38 | 0.967 | 1.374 | 1.846 | 2.386 | 2.991 | 3.662 | 4.394 | | | | | | | | | |
| | | | | | 43 | 0.812 | 1.177 | 1.599 | 2.081 | 2.623 | 3.225 | 3.883 | | | | | | | | | |
| OP-LPQM096NT | 114X3357 | P00 | NTZ096-4 | E | 27 | 1.480 | 2.019 | 2.667 | 3.418 | 4.262 | 5.184 | 6.164 | | | | | | | | | |
| | | | | | 32 | 1.262 | 1.752 | 2.340 | 3.023 | 3.791 | 4.631 | 5.527 | 1.988 | 1.951 | 1.02 | | | 72 | 41 | | |
| | | | | | 38 | 1.003 | 1.432 | 1.948 | 2.549 | 3.226 | 3.969 | 4.763 | | | | | | | | | |
| | | | | | 43 | 0.794 | 1.171 | 1.627 | 2.158 | 2.760 | 3.421 | 4.130 | | | | | | | | | |
| OP-LPQM136NT | 114X3365 | P00 | NTZ136-4 | E | 27 | 2.549 | 3.477 | 4.594 | 5.909 | 7.428 | 9.150 | 11.073 | | | | | | | | | |
| | | | | | 32 | 2.214 | 3.068 | 4.094 | 5.301 | 6.696 | 8.282 | 10.056 | 3.468 | 3.128 | 1.11 | 1.60 | 73 | 42 | | | |
| | | | | | 38 | 1.821 | 2.584 | 3.498 | 4.575 | 5.821 | 7.240 | 8.834 | | | | | | | | | |
| | | | | | 43 | 1.503 | 2.188 | 3.008 | 3.974 | 5.094 | 6.373 | 7.814 | | | | | | | | | |
| OP-LPQM215LL | 114X3476 | P00 | LLZ024T4 | E | 27 | 3.997 | 5.083 | 6.389 | 7.930 | 9.719 | 11.763 | 14.068 | | | | | | | | | |
| | | | | | 32 | 3.676 | 4.687 | 5.893 | 7.312 | 8.958 | 10.839 | 12.963 | 5.313 | 4.264 | 1.25 | 1.71 | 78 | 47 | | | |
| | | | | | 38 | 3.273 | 4.188 | 5.271 | 6.540 | 8.010 | 9.692 | 11.597 | | | | | | | | | |
| | | | | | 43 | 2.920 | 3.750 | 4.727 | 5.867 | 7.188 | 8.702 | 10.421 | | | | | | | | | |
| OP-LPQM271LL | 114X3482 | P00 | LLZ034T4 | E | 27 | 5.429 | 6.821 | 8.466 | 10.379 | 12.568 | 15.038 | 17.788 | | | | | | | | | |
| | | | | | 32 | 4.953 | 6.244 | 7.754 | 9.498 | 11.490 | 13.737 | 16.242 | 7.114 | 5.791 | 1.23 | 1.81 | 78 | 47 | | | |
| | | | | | 38 | 4.337 | 5.503 | 6.848 | 8.390 | 10.143 | 12.121 | 14.332 | | | | | | | | | |
| | | | | | 43 | 3.776 | 4.836 | 6.042 | 7.412 | 8.967 | 10.719 | 12.683 | | | | | | | | | |

LBP
(1) G - Compressor 230V/1~/50Hz, fan 230V/1~/50Hz

E - Compressor 400V/3~/50Hz, fan 230V/1~/50Hz

(2) Nominal conditions (EN13215), Evaporating temperatures at dew point, Superheat 10K, Subcooling 0K

(3) Rated conditions (EN13215), Evaporating temperature (dew point) -35°C, Ambient air temperature +32°C, Return Gas Temperature 20°C, Subcooling 0K

SEPR, Seasonal Energy Performance Ratio

Q [kW], Cooling Capacity

P [kW], Power Input


For regular updates and detailed capacities, please refer to **Coolselector®2** software


| Model | Code | Version | Compressor | Electrical code (1) | Tamb [°C] | Cooling capacity Q [kW] (2) | | | | | | | EcoDesign (3) | | | | Sound power level dB(A) | Sound pressure level 10 m dB(A) | |
|--------------|----------|---------|------------|---------------------|-----------|-----------------------------|-------|-------|-------|-------|-------|-------|---------------|--------|------|------|-------------------------|---------------------------------|--|
| | | | | | | Te [°C] | | | | | | | Q [kW] | P [kW] | COP | SEPR | | | |
| | | | | | | -15°C | -10°C | -5°C | 0°C | 5°C | 10°C | 15°C | | | | | | | |
| OP-MPGM033AJ | 114X4220 | P00 | CAJ4511Y | G | 27 | 1.444 | 1.835 | 2.280 | 2.786 | 3.353 | 3.984 | 4.678 | | | | | | | |
| | | | | | 32 | 1.326 | 1.699 | 2.122 | 2.601 | 3.138 | 3.736 | 4.394 | 1.740 | 0.849 | 2.05 | | 67 | 36 | |
| | | | | | 38 | 1.180 | 1.531 | 1.927 | 2.373 | 2.873 | 3.430 | 4.045 | | | | | | | |
| | | | | | 43 | 1.058 | 1.389 | 1.761 | 2.180 | 2.649 | 3.171 | 3.749 | | | | | | | |
| OP-MPXM034ML | 114X4264 | P00 | MLZ015T4 | E | 27 | 1.817 | 2.286 | 2.834 | 3.467 | 4.188 | 5.001 | 5.907 | | | | | | | |
| | | | | | 32 | 1.716 | 2.162 | 2.685 | 3.290 | 3.980 | 4.761 | 5.632 | 2.216 | 0.983 | 2.25 | | 68 | 37 | |
| | | | | | 38 | 1.597 | 2.012 | 2.502 | 3.071 | 3.723 | 4.462 | 5.290 | | | | | | | |
| | | | | | 43 | 1.499 | 1.886 | 2.346 | 2.883 | 3.502 | 4.205 | 4.995 | | | | | | | |
| OP-MPXM034ML | 114X4261 | P00 | MLZ015T5 | G | 27 | 1.822 | 2.321 | 2.883 | 3.513 | 4.218 | 5.003 | 5.876 | | | | | | | |
| | | | | | 32 | 1.711 | 2.189 | 2.730 | 3.339 | 4.023 | 4.788 | 5.639 | 2.244 | 1.033 | 2.17 | | 68 | 37 | |
| | | | | | 38 | 1.580 | 2.026 | 2.536 | 3.115 | 3.770 | 4.504 | 5.324 | | | | | | | |
| | | | | | 43 | 1.476 | 1.890 | 2.369 | 2.919 | 3.544 | 4.250 | 5.041 | | | | | | | |
| OP-MPXM046ML | 114X4284 | P00 | MLZ021T4 | E | 27 | 2.478 | 3.090 | 3.817 | 4.660 | 5.618 | 6.691 | 7.875 | | | | | | | |
| | | | | | 32 | 2.339 | 2.922 | 3.614 | 4.418 | 5.333 | 6.358 | 7.490 | 2.998 | 1.289 | 2.33 | | 68 | 37 | |
| | | | | | 38 | 2.167 | 2.713 | 3.363 | 4.118 | 4.979 | 5.945 | 7.014 | | | | | | | |
| | | | | | 43 | 2.021 | 2.535 | 3.147 | 3.860 | 4.674 | 5.591 | 6.606 | | | | | | | |
| OP-MPXM046ML | 114X4281 | P00 | MLZ021T5 | G | 27 | 2.465 | 3.114 | 3.854 | 4.690 | 5.626 | 6.665 | 7.811 | | | | | | | |
| | | | | | 32 | 2.317 | 2.933 | 3.641 | 4.446 | 5.350 | 6.358 | 7.473 | 3.010 | 1.451 | 2.07 | | 68 | 37 | |
| | | | | | 38 | 2.143 | 2.710 | 3.372 | 4.133 | 4.994 | 5.959 | 7.030 | | | | | | | |
| | | | | | 43 | 2.006 | 2.524 | 3.142 | 3.859 | 4.679 | 5.603 | 6.633 | | | | | | | |
| OP-MPXM057ML | 114X4293 | P00 | MLZ026T4 | E | 27 | 2.988 | 3.749 | 4.629 | 5.632 | 6.762 | 8.020 | 9.405 | | | | | | | |
| | | | | | 32 | 2.811 | 3.536 | 4.375 | 5.331 | 6.409 | 7.610 | 8.932 | 3.633 | 1.591 | 2.28 | | 68 | 37 | |
| | | | | | 38 | 2.596 | 3.276 | 4.062 | 4.959 | 5.972 | 7.101 | 8.346 | | | | | | | |
| | | | | | 43 | 2.416 | 3.055 | 3.795 | 4.641 | 5.596 | 6.664 | 7.843 | | | | | | | |
| OP-MPXM057ML | 114X4290 | P00 | MLZ026T5 | G | 27 | 2.981 | 3.762 | 4.649 | 5.647 | 6.760 | 7.991 | 9.345 | | | | | | | |
| | | | | | 32 | 2.805 | 3.540 | 4.384 | 5.339 | 6.409 | 7.597 | 8.905 | 3.639 | 1.914 | 1.90 | | 68 | 37 | |
| | | | | | 38 | 2.601 | 3.271 | 4.052 | 4.947 | 5.958 | 7.088 | 8.337 | | | | | | | |
| | | | | | 43 | 2.443 | 3.048 | 3.770 | 4.608 | 5.564 | 6.638 | 7.833 | | | | | | | |

MBP This table continues on the next page
(1) G - Compressor 230V/1~/50Hz, fan 230V/1~/50Hz
E - Compressor 400V/3~/50Hz, fan 230V/1~/50Hz
(2) Nominal conditions (EN13215), Evaporating temperatures at dew point, Superheat 10K, Subcooling 0K
(3) Rated conditions (EN13215), Evaporating temperature (dew point) -10°C, Ambient air temperature +32°C, Return Gas Temperature 20°C, Subcooling 0K
SEPR, Seasonal Energy Performance Ratio
Q [kW], Cooling Capacity
P [kW], Power Input

Optyma™ Plus



For regular updates and detailed capacities, please refer to **Coolselector®2** software



| Model | Code | Version | Compressor | Electrical code (1) | Tamb [°C] | Cooling capacity Q [kW] (2) | | | | | | EcoDesign (3) | | | | Sound power level dB(A) | Sound pressure level 10 m dB(A) | | |
|--------------|----------|---------|------------|---------------------|-----------|-----------------------------|--------|--------|--------|--------|--------|---------------|--------|-------|------|-------------------------|---------------------------------|------|--|
| | | | | | | Te [°C] | | | | | | Q [kW] | P [kW] | COP | SEPR | | | | |
| | | | | | | -15°C | -10°C | -5°C | 0°C | 5°C | 10°C | | | | | | | 15°C | |
| OP-MPXM068ML | 114X4311 | P00 | MLZ030T4 | E | 27 | 3.686 | 4.631 | 5.738 | 7.016 | 8.470 | 10.104 | 11.920 | | | | | | | |
| | | | | | 32 | 3.484 | 4.382 | 5.437 | 6.657 | 8.048 | 9.614 | 11.357 | 4.493 | 1.897 | 2.37 | | 69 | 38 | |
| | | | | | 38 | 3.240 | 4.078 | 5.066 | 6.213 | 7.524 | 9.005 | 10.657 | | | | | | | |
| | | | | | 43 | 3.037 | 3.820 | 4.748 | 5.831 | 7.073 | 8.480 | 10.053 | | | | | | | |
| OP-MPXM068ML | 114X4308 | P00 | MLZ030T5 | G | 27 | 3.786 | 4.657 | 5.752 | 7.035 | 8.471 | 10.032 | 11.692 | | | | | | | |
| | | | | | 32 | 3.642 | 4.426 | 5.449 | 6.672 | 8.059 | 9.581 | 11.211 | 4.540 | 2.184 | 2.08 | | 69 | 38 | |
| | | | | | 38 | 3.479 | 4.146 | 5.072 | 6.214 | 7.534 | 9.001 | 10.586 | | | | | | | |
| | | | | | 43 | 3.356 | 3.915 | 4.751 | 5.817 | 7.073 | 8.487 | 10.029 | | | | | | | |
| OP-MPXM080ML | 114X4324 | P00 | MLZ038T4 | E | 27 | 4.283 | 5.388 | 6.667 | 8.129 | 9.782 | 11.630 | 13.673 | | | | | | | |
| | | | | | 32 | 4.029 | 5.086 | 6.307 | 7.704 | 9.282 | 11.048 | 13.001 | 5.220 | 2.308 | 2.26 | 3.43 | 69 | 38 | |
| | | | | | 38 | 3.718 | 4.713 | 5.863 | 7.176 | 8.663 | 10.326 | 12.170 | | | | | | | |
| | | | | | 43 | 3.454 | 4.396 | 5.482 | 6.724 | 8.130 | 9.707 | 11.457 | | | | | | | |
| OP-MPXM080ML | 114X4321 | P00 | MLZ038T5 | G | 27 | 4.250 | 5.469 | 6.787 | 8.230 | 9.821 | 11.578 | 13.518 | | | | | | | |
| | | | | | 32 | 3.953 | 5.136 | 6.411 | 7.803 | 9.334 | 11.025 | 12.892 | 5.271 | 2.438 | 2.16 | 3.03 | 69 | 38 | |
| | | | | | 38 | 3.566 | 4.705 | 5.926 | 7.255 | 8.715 | 10.327 | 12.107 | | | | | | | |
| | | | | | 43 | 3.225 | 4.325 | 5.500 | 6.776 | 8.176 | 9.721 | 11.429 | | | | | | | |
| OP-MPXM108ML | 114X4344 | P00 | MLZ048T4 | E | 27 | 5.637 | 7.050 | 8.708 | 10.601 | 12.721 | 15.056 | 17.592 | | | | | | | |
| | | | | | 32 | 5.298 | 6.641 | 8.223 | 10.033 | 12.062 | 14.299 | 16.730 | 6.819 | 2.840 | 2.40 | 3.74 | 75 | 44 | |
| | | | | | 38 | 4.889 | 6.140 | 7.620 | 9.323 | 11.236 | 13.349 | 15.649 | | | | | | | |
| | | | | | 43 | 4.548 | 5.714 | 7.104 | 8.709 | 10.520 | 12.525 | 14.711 | | | | | | | |
| OP-MPXM125ML | 114X4414 | P00 | MLZ058T4 | E | 27 | 6.778 | 8.475 | 10.421 | 12.628 | 15.107 | 17.864 | 20.905 | | | | | | | |
| | | | | | 32 | 6.346 | 7.978 | 9.843 | 11.956 | 14.327 | 16.964 | 19.874 | 8.189 | 3.677 | 2.23 | 3.40 | 77 | 46 | |
| | | | | | 38 | 5.815 | 7.364 | 9.130 | 11.125 | 13.363 | 15.853 | 18.604 | | | | | | | |
| | | | | | 43 | 5.363 | 6.841 | 8.519 | 10.414 | 12.539 | 14.904 | 17.519 | | | | | | | |
| OP-MPXM162ML | 114X4434 | P00 | MLZ076T4 | E | 27 | 8.698 | 10.884 | 13.393 | 16.234 | 19.416 | 22.943 | 26.820 | | | | | | | |
| | | | | | 32 | 8.169 | 10.246 | 12.638 | 15.353 | 18.399 | 21.782 | 25.505 | 10.523 | 4.681 | 2.25 | 3.46 | 77 | 46 | |
| | | | | | 38 | 7.544 | 9.476 | 11.714 | 14.265 | 17.136 | 20.335 | 23.866 | | | | | | | |
| | | | | | 43 | 7.035 | 8.834 | 10.931 | 13.335 | 16.052 | 19.089 | 22.451 | | | | | | | |

MBP

(1) G - Compressor 230V/1~/50Hz, fan 230V/1~/50Hz

E - Compressor 400V/3~/50Hz, fan 230V/1~/50Hz

(2) Nominal conditions (EN13215), Evaporating temperatures at dew point, Superheat 10K, Subcooling 0K

(3) Rated conditions (EN13215), Evaporating temperature (dew point) -10°C, Ambient air temperature +32°C, Return Gas Temperature 20°C, Subcooling 0K

SEPR, Seasonal Energy Performance Ratio

Q [kW], Cooling Capacity

P [kW], Power Input



For regular updates and detailed capacities, please refer to **Coolselector®2** software



| Model | Code | Version | Compressor | Electrical code (1) | Tamb [°C] | Cooling capacity Q [kW] (2) | | | | | | | EcoDesign (3) | | | | Sound power level dB(A) | Sound pressure level 10 m dB(A) | |
|--------------|----------|---------|------------|---------------------|-----------|-----------------------------|--------|--------|--------|--------|--------|--------|---------------|--------|------|------|-------------------------|---------------------------------|--|
| | | | | | | Te [°C] | | | | | | | Q [kW] | P [kW] | COP | SEPR | | | |
| | | | | | | -20°C | -15°C | -10°C | -5°C | 0°C | 5°C | 10°C | | | | | | | |
| OP-MPXM034ML | 114X4264 | P00 | MLZ015T4 | E | 27 | 2.372 | 2.942 | 3.595 | 4.338 | 5.175 | 6.110 | 7.142 | | | | | | | |
| | | | | | 32 | 2.193 | 2.731 | 3.348 | 4.050 | 4.843 | 5.729 | 6.711 | 3.409 | 1.647 | 2.07 | | 68 | 37 | |
| | | | | | 38 | 1.965 | 2.464 | 3.035 | 3.685 | 4.422 | 5.248 | 6.169 | | | | | | | |
| | | | | | 43 | | 2.229 | 2.759 | 3.365 | 4.053 | 4.828 | 5.696 | | | | | | | |
| OP-MPXM034ML | 114X4261 | P00 | MLZ015T5 | G | 27 | 2.36 | 2.934 | 3.592 | 4.340 | 5.182 | 6.120 | 7.153 | | | | | | | |
| | | | | | 32 | 2.195 | 2.736 | 3.356 | 4.061 | 4.856 | 5.743 | 6.725 | 3.418 | 1.604 | 2.13 | | 68 | 37 | |
| | | | | | 38 | 1.992 | 2.491 | 3.063 | 3.715 | 4.451 | 5.277 | 6.194 | | | | | | | |
| | | | | | 43 | | 2.283 | 2.812 | 3.416 | 4.102 | 4.875 | 5.737 | | | | | | | |
| OP-MPXM046ML | 114X4284 | P00 | MLZ021T4 | E | 27 | 3.178 | 3.933 | 4.791 | 5.759 | 6.840 | 8.035 | 9.343 | | | | | | | |
| | | | | | 32 | 2.93 | 3.640 | 4.446 | 5.355 | 6.372 | 7.499 | 8.738 | 4.535 | 2.237 | 2.03 | | 68 | 37 | |
| | | | | | 38 | 2.622 | 3.274 | 4.014 | 4.850 | 5.788 | 6.832 | 7.985 | | | | | | | |
| | | | | | 43 | | 2.957 | 3.639 | 4.411 | 5.281 | 6.254 | 7.335 | | | | | | | |
| OP-MPXM046ML | 114X4281 | P00 | MLZ021T5 | G | 27 | 3.182 | 3.942 | 4.809 | 5.791 | 6.890 | 8.108 | 9.445 | | | | | | | |
| | | | | | 32 | 2.949 | 3.663 | 4.477 | 5.400 | 6.437 | 7.589 | 8.858 | 4.568 | 2.352 | 1.94 | | 68 | 37 | |
| | | | | | 38 | 2.665 | 3.318 | 4.065 | 4.914 | 5.871 | 6.941 | 8.127 | | | | | | | |
| | | | | | 43 | | 3.025 | 3.713 | 4.496 | 5.384 | 6.382 | 7.495 | | | | | | | |
| OP-MPXM057ML | 114X4293 | P00 | MLZ026T4 | E | 27 | 3.811 | 4.724 | 5.742 | 6.868 | 8.104 | 9.450 | 10.901 | | | | | | | |
| | | | | | 32 | 3.473 | 4.333 | 5.289 | 6.345 | 7.506 | 8.770 | 10.138 | 5.406 | 2.940 | 1.84 | 3.15 | 68 | 37 | |
| | | | | | 38 | 3.048 | 3.841 | 4.718 | 5.688 | 6.754 | 7.919 | 9.186 | | | | | | | |
| | | | | | 43 | | 3.412 | 4.221 | 5.114 | 6.099 | 7.179 | 8.360 | | | | | | | |
| OP-MPXM057ML | 114X4290 | P00 | MLZ026T5 | G | 27 | 3.863 | 4.769 | 5.790 | 6.932 | 8.193 | 9.572 | 11.064 | | | | | | | |
| | | | | | 32 | 3.561 | 4.404 | 5.354 | 6.416 | 7.593 | 8.883 | 10.284 | 5.475 | 3.082 | 1.78 | 2.93 | 68 | 37 | |
| | | | | | 38 | 3.185 | 3.945 | 4.803 | 5.766 | 6.836 | 8.016 | 9.306 | | | | | | | |
| | | | | | 43 | | 3.548 | 4.323 | 5.197 | 6.175 | 7.260 | 8.454 | | | | | | | |
| OP-MPXM068ML | 114X4308 | P00 | MLZ030T5 | G | 27 | 4.812 | 5.958 | 7.265 | 8.744 | 10.404 | 12.248 | 14.278 | | | | | | | |
| | | | | | 32 | 4.447 | 5.529 | 6.761 | 8.157 | 9.726 | 11.473 | 13.403 | 6.890 | 3.266 | 2.11 | 3.30 | 69 | 38 | |
| | | | | | 38 | 3.993 | 4.993 | 6.132 | 7.424 | 8.879 | 10.507 | 12.313 | | | | | | | |
| | | | | | 43 | | 4.531 | 5.587 | 6.788 | 8.146 | 9.671 | 11.373 | | | | | | | |
| OP-MPXM068ML | 114X4311 | P00 | MLZ030T4 | E | 27 | 4.86 | 5.997 | 7.295 | 8.767 | 10.419 | 12.259 | 14.287 | | | | | | | |
| | | | | | 32 | 4.485 | 5.559 | 6.783 | 8.172 | 9.734 | 11.476 | 13.402 | 6.911 | 3.138 | 2.20 | 3.48 | 69 | 38 | |
| | | | | | 38 | 4.012 | 5.003 | 6.134 | 7.418 | 8.867 | 10.490 | 12.292 | | | | | | | |
| | | | | | 43 | | 4.516 | 5.564 | 6.757 | 8.109 | 9.629 | 11.326 | | | | | | | |
| OP-MPXM080ML | 114X4321 | P00 | MLZ038T5 | G | 27 | 5.554 | 6.850 | 8.310 | 9.943 | 11.753 | 13.739 | 15.900 | | | | | | | |
| | | | | | 32 | 5.167 | 6.388 | 7.759 | 9.290 | 10.988 | 12.855 | 14.891 | 7.919 | 3.985 | 1.99 | 3.07 | 69 | 38 | |
| | | | | | 38 | 4.68 | 5.803 | 7.062 | 8.467 | 10.027 | 11.747 | 13.631 | | | | | | | |
| | | | | | 43 | | 5.292 | 6.452 | 7.747 | 9.188 | 10.783 | 12.539 | | | | | | | |
| OP-MPXM080ML | 114X4324 | P00 | MLZ038T4 | E | 27 | 5.654 | 6.949 | 8.417 | 10.066 | 11.901 | 13.922 | 16.126 | | | | | | | |
| | | | | | 32 | 5.214 | 6.433 | 7.812 | 9.361 | 11.088 | 12.995 | 15.081 | 7.969 | 3.716 | 2.14 | 3.49 | 69 | 38 | |
| | | | | | 38 | 4.667 | 5.786 | 7.053 | 8.479 | 10.073 | 11.838 | 13.779 | | | | | | | |
| | | | | | 43 | | 5.227 | 6.395 | 7.714 | 9.192 | 10.836 | 12.654 | | | | | | | |
| OP-MPXM108ML | 114X4344 | P00 | MLZ048T4 | E | 27 | 7.357 | 9.067 | 10.997 | 13.154 | 15.541 | 18.156 | 20.992 | | | | | | | |
| | | | | | 32 | 6.775 | 8.377 | 10.182 | 12.201 | 14.439 | 16.897 | 19.572 | 10.403 | 5.300 | 1.96 | 3.31 | 75 | 44 | |
| | | | | | 38 | 6.05 | 7.513 | 9.161 | 11.008 | 13.061 | 15.326 | 17.804 | | | | | | | |
| | | | | | 43 | | 6.764 | 8.274 | 9.971 | 11.865 | 13.964 | 16.275 | | | | | | | |
| OP-MPXM125ML | 114X4414 | P00 | MLZ058T4 | E | 27 | 8.752 | 10.784 | 13.088 | 15.678 | 18.560 | 21.734 | 25.194 | | | | | | | |
| | | | | | 32 | 8.094 | 10.001 | 12.160 | 14.589 | 17.297 | 20.286 | 23.558 | 12.411 | 5.856 | 2.12 | 3.42 | 77 | 46 | |
| | | | | | 38 | 7.275 | 9.018 | 10.993 | 13.220 | 15.711 | 18.474 | 21.514 | | | | | | | |
| | | | | | 43 | | 8.166 | 9.979 | 12.030 | 14.333 | 16.901 | 19.744 | | | | | | | |
| OP-MPXM162ML | 114X4434 | P00 | MLZ076T4 | E | 27 | 10.583 | 13.218 | 16.207 | 19.567 | 23.303 | 27.413 | 31.890 | | | | | | | |
| | | | | | 32 | 9.654 | 12.132 | 14.943 | 18.105 | 21.627 | 25.514 | 29.760 | 15.258 | 7.988 | 1.91 | 3.13 | 77 | 46 | |
| | | | | | 38 | 8.496 | 10.769 | 13.351 | 16.263 | 19.520 | 23.128 | 27.093 | | | | | | | |
| | | | | | 43 | | 9.587 | 11.965 | 14.658 | 17.683 | 21.051 | 24.775 | | | | | | | |

MBP

(1) G - Compressor 230V/1~/50Hz, fan 230V/1~/50Hz
 E - Compressor 400V/3~/50Hz, fan 230V/1~/50Hz

(2) Nominal conditions (EN13215), Evaporating temperatures at dew point, Superheat 10K, Subcooling 0K

(3) Rated conditions (EN13215), Evaporating temperature (dew point) -10°C, Ambient air temperature +32°C, Return Gas Temperature 20°C, Subcooling 0K

SEPR, Seasonal Energy Performance Ratio

Q [kW], Cooling Capacity

P [kW], Power Input



For regular updates and detailed capacities, please refer to **Coolselector®2** software



| Model | Code | Version | Compressor | Electrical code (1) | Tamb [°C] | Cooling capacity Q [kW] (2) | | | | | | | EcoDesign (3) | | | | Sound power level dB(A) | Sound pressure level 10 m dB(A) |
|--------------|----------|---------|------------|---------------------|-----------|-----------------------------|-------|-------|-------|-------|-------|-------|---------------|--------|------|------|-------------------------|---------------------------------|
| | | | | | | Te [°C] | | | | | | | Q [kW] | P [kW] | COP | SEPR | | |
| | | | | | | -20°C | -15°C | -10°C | -5°C | 0°C | 5°C | 10°C | | | | | | |
| OP-MPYM008MY | 114X4119 | P00 | MLY80RAb | G | 27 | 0.632 | 0.822 | 1.025 | 1.240 | 1.467 | 1.704 | | | | | | | |
| | | | | | 32 | 0.574 | 0.749 | 0.937 | 1.138 | 1.351 | 1.574 | 0.760 | 0.393 | 1.93 | | 60 | 29 | |
| | | | | | 38 | 0.504 | 0.661 | 0.831 | 1.015 | 1.211 | 1.419 | | | | | | | |
| | | | | | 43 | 0.447 | 0.588 | 0.744 | 0.913 | 1.095 | 1.290 | | | | | | | |
| OP-MPYM009MY | 114X4120 | P00 | MLY90RAb | G | 27 | 0.668 | 0.878 | 1.098 | 1.327 | 1.566 | 1.813 | | | | | | | |
| | | | | | 32 | 0.609 | 0.801 | 1.004 | 1.217 | 1.441 | 1.673 | 0.813 | 0.430 | 1.89 | | 61 | 30 | |
| | | | | | 38 | 0.540 | 0.710 | 0.892 | 1.086 | 1.290 | 1.504 | | | | | | | |
| | | | | | 43 | 0.482 | 0.635 | 0.800 | 0.976 | 1.164 | 1.364 | | | | | | | |
| OP-MPYM012MP | 114X4121 | P00 | MPT12RA | G | 27 | 0.930 | 1.198 | 1.478 | 1.768 | 2.067 | 2.373 | | | | | | | |
| | | | | | 32 | 0.848 | 1.095 | 1.353 | 1.623 | 1.902 | 2.191 | 1.112 | 0.589 | 1.89 | | 63 | 32 | |
| | | | | | 38 | 0.751 | 0.971 | 1.204 | 1.449 | 1.705 | 1.972 | | | | | | | |
| | | | | | 43 | 0.670 | 0.868 | 1.080 | 1.304 | 1.541 | 1.790 | | | | | | | |
| OP-MPYM014MP | 114X4122 | P00 | MPT14RA | G | 27 | 0.978 | 1.251 | 1.544 | 1.859 | 2.193 | 2.546 | | | | | | | |
| | | | | | 32 | 0.896 | 1.147 | 1.421 | 1.716 | 2.032 | 2.367 | 1.166 | 0.729 | 1.60 | | 60 | 29 | |
| | | | | | 38 | 0.799 | 1.024 | 1.273 | 1.544 | 1.838 | 2.153 | | | | | | | |
| | | | | | 43 | 0.718 | 0.922 | 1.150 | 1.401 | 1.676 | 1.974 | | | | | | | |
| OP-MPYM018AJ | 114X4230 | P00 | CAJ9510Z | G | 27 | 0.932 | 1.233 | 1.594 | 2.022 | 2.527 | 3.114 | 3.791 | | | | | | |
| | | | | | 32 | 0.854 | 1.134 | 1.469 | 1.868 | 2.339 | 2.889 | 3.524 | 1.491 | 0.781 | 1.91 | | 67 | 36 |
| | | | | | 38 | 1.015 | 1.321 | 1.685 | 2.117 | 2.622 | 3.209 | | | | | | | |
| | | | | | 43 | 0.916 | 1.199 | 1.535 | 1.934 | 2.404 | 2.950 | | | | | | | |
| OP-MPYM024AJ | 114X4200 | P00 | CAJ9513Z | G | 27 | 1.153 | 1.549 | 2.021 | 2.577 | 3.222 | 3.960 | 4.796 | | | | | | |
| | | | | | 32 | 1.041 | 1.409 | 1.847 | 2.363 | 2.964 | 3.655 | 4.439 | 1.876 | 0.902 | 2.08 | | 67 | 36 |
| | | | | | 38 | 1.244 | 1.643 | 2.113 | 2.663 | 3.297 | 4.021 | | | | | | | |
| | | | | | 43 | 1.107 | 1.475 | 1.909 | 2.417 | 3.006 | 3.679 | | | | | | | |
| OP-MPYM026AJ | 114X4212 | P00 | CAJ4517Z | G | 27 | 1.321 | 1.737 | 2.227 | 2.802 | 3.469 | 4.235 | 5.103 | | | | | | |
| | | | | | 32 | 1.203 | 1.591 | 2.047 | 2.582 | 3.205 | 3.923 | 4.739 | 2.080 | 1.009 | 2.06 | | 67 | 36 |
| | | | | | 38 | 1.416 | 1.833 | 2.323 | 2.894 | 3.554 | 4.309 | | | | | | | |
| | | | | | 43 | 1.271 | 1.657 | 2.109 | 2.638 | 3.252 | 3.956 | | | | | | | |
| OP-MPYM026AJ | 114X4213 | P00 | TAJ4517Z | E | 27 | 1.298 | 1.730 | 2.233 | 2.819 | 3.495 | 4.268 | 5.144 | | | | | | |
| | | | | | 32 | 1.169 | 1.575 | 2.048 | 2.597 | 3.232 | 3.960 | 4.785 | 2.081 | 1.059 | 1.97 | | 67 | 36 |
| | | | | | 38 | 1.388 | 1.824 | 2.330 | 2.917 | 3.590 | 4.356 | | | | | | | |
| | | | | | 43 | 1.231 | 1.637 | 2.109 | 2.654 | 3.283 | 4.000 | | | | | | | |

MBP
(1) G - Compressor 230V/1~/50Hz, fan 230V/1~/50Hz

E - Compressor 400V/3~/50Hz, fan 230V/1~/50Hz

(2) Nominal conditions (EN13215), Evaporating temperatures at dew point, Superheat 10K, Subcooling 0K

(3) Rated conditions (EN13215), Evaporating temperature (dew point) -10°C, Ambient air temperature +32°C, Return Gas Temperature 20°C, Subcooling 0K

SEPR, Seasonal Energy Performance Ratio

Q [kW], Cooling Capacity

P [kW], Power Input

This table continues on the next page


For regular updates and detailed capacities, please refer to **Coolselector®2** software


| Model | Code | Version | Compressor | Electrical code (1) | Tamb [°C] | Cooling capacity Q [kW] (2) | | | | | | | EcoDesign (3) | | | | Sound power level dB(A) | Sound pressure level 10 m dB(A) | |
|--------------|----------|---------|------------|---------------------|-----------|-----------------------------|-------|-------|-------|-------|-------|--------|---------------|--------|------|------|-------------------------|---------------------------------|--|
| | | | | | | Te [°C] | | | | | | | Q [kW] | P [kW] | COP | SEPR | | | |
| | | | | | | -20°C | -15°C | -10°C | -5°C | 0°C | 5°C | 10°C | | | | | | | |
| OP-MPYM034AJ | 114X4227 | P00 | TAJ4519Z | E | 27 | 1.657 | 2.175 | 2.778 | 3.474 | 4.273 | 5.179 | 6.195 | | | | | | | |
| | | | | | 32 | 1.51 | 1.997 | 2.561 | 3.213 | 3.962 | 4.812 | 5.768 | 2.606 | 1.346 | 1.94 | | 67 | 36 | |
| | | | | | 38 | | 1.781 | 2.302 | 2.903 | 3.592 | 4.378 | 5.263 | | | | | | | |
| | | | | | 43 | | 1.599 | 2.086 | 2.645 | 3.287 | 4.019 | 4.846 | | | | | | | |
| OP-MPYM034AJ | 114X4226 | P00 | CAJ4519Z | G | 27 | 1.65 | 2.185 | 2.805 | 3.521 | 4.340 | 5.269 | 6.309 | | | | | | | |
| | | | | | 32 | 1.498 | 2.000 | 2.581 | 3.251 | 4.018 | 4.889 | 5.866 | 2.627 | 1.416 | 1.86 | | 67 | 36 | |
| | | | | | 38 | | 1.776 | 2.310 | 2.925 | 3.630 | 4.431 | 5.333 | | | | | | | |
| | | | | | 43 | | 1.588 | 2.083 | 2.652 | 3.306 | 4.050 | 4.889 | | | | | | | |
| OP-MPXM034ML | 114X4264 | P00 | MLZ015T4 | E | 27 | 2.367 | 2.937 | 3.590 | 4.334 | 5.172 | 6.108 | 7.142 | | | | | | | |
| | | | | | 32 | 2.187 | 2.726 | 3.343 | 4.046 | 4.839 | 5.727 | 6.711 | 3.409 | 1.647 | 2.07 | | 68 | 37 | |
| | | | | | 38 | 1.96 | 2.458 | 3.029 | 3.681 | 4.418 | 5.246 | 6.169 | | | | | | | |
| | | | | | 43 | | 2.224 | 2.754 | 3.360 | 4.049 | 4.826 | 5.696 | | | | | | | |
| OP-MPXM034ML | 114X4261 | P00 | MLZ015T5 | G | 27 | 2.355 | 2.929 | 3.587 | 4.336 | 5.179 | 6.118 | 7.153 | | | | | | | |
| | | | | | 32 | 2.189 | 2.731 | 3.351 | 4.057 | 4.852 | 5.741 | 6.725 | 3.418 | 1.604 | 2.13 | | 68 | 37 | |
| | | | | | 38 | 1.987 | 2.486 | 3.058 | 3.710 | 4.447 | 5.274 | 6.194 | | | | | | | |
| | | | | | 43 | | 2.277 | 2.807 | 3.412 | 4.098 | 4.872 | 5.737 | | | | | | | |
| OP-MPXM046ML | 114X4284 | P00 | MLZ021T4 | E | 27 | 3.171 | 3.926 | 4.785 | 5.753 | 6.835 | 8.032 | 9.343 | | | | | | | |
| | | | | | 32 | 2.923 | 3.633 | 4.439 | 5.349 | 6.367 | 7.497 | 8.738 | 4.535 | 2.237 | 2.03 | | 68 | 37 | |
| | | | | | 38 | 2.615 | 3.267 | 4.007 | 4.843 | 5.783 | 6.829 | 7.985 | | | | | | | |
| | | | | | 43 | | 2.950 | 3.632 | 4.405 | 5.276 | 6.251 | 7.335 | | | | | | | |
| OP-MPXM046ML | 114X4281 | P00 | MLZ021T5 | G | 27 | 3.175 | 3.935 | 4.802 | 5.785 | 6.885 | 8.106 | 9.445 | | | | | | | |
| | | | | | 32 | 2.942 | 3.655 | 4.470 | 5.394 | 6.432 | 7.586 | 8.858 | 4.568 | 2.352 | 1.94 | | 68 | 37 | |
| | | | | | 38 | 2.657 | 3.311 | 4.058 | 4.908 | 5.866 | 6.938 | 8.127 | | | | | | | |
| | | | | | 43 | | 3.018 | 3.705 | 4.490 | 5.379 | 6.379 | 7.495 | | | | | | | |
| OP-MPXM057ML | 114X4293 | P00 | MLZ026T4 | E | 27 | 3.803 | 4.716 | 5.734 | 6.861 | 8.099 | 9.446 | 10.901 | | | | | | | |
| | | | | | 32 | 3.464 | 4.325 | 5.281 | 6.338 | 7.500 | 8.767 | 10.138 | 5.406 | 2.940 | 1.84 | 3.15 | 68 | 37 | |
| | | | | | 38 | 3.04 | 3.832 | 4.710 | 5.680 | 6.748 | 7.916 | 9.186 | | | | | | | |
| | | | | | 43 | | 3.403 | 4.213 | 5.107 | 6.093 | 7.176 | 8.360 | | | | | | | |
| OP-MPXM057ML | 114X4290 | P00 | MLZ026T5 | G | 27 | 3.855 | 4.760 | 5.782 | 6.924 | 8.188 | 9.569 | 11.064 | | | | | | | |
| | | | | | 32 | 3.553 | 4.395 | 5.345 | 6.409 | 7.587 | 8.880 | 10.284 | 5.475 | 3.082 | 1.78 | 2.93 | 68 | 37 | |
| | | | | | 38 | 3.176 | 3.936 | 4.795 | 5.758 | 6.830 | 8.013 | 9.306 | | | | | | | |
| | | | | | 43 | | 3.539 | 4.315 | 5.190 | 6.169 | 7.257 | 8.454 | | | | | | | |

MBP

(1) G - Compressor 230V/1~/50Hz, fan 230V/1~/50Hz

E - Compressor 400V/3~/50Hz, fan 230V/1~/50Hz

(2) Nominal conditions (EN13215), Evaporating temperatures at dew point, Superheat 10K, Subcooling 0K

(3) Rated conditions (EN13215), Evaporating temperature (dew point) -10°C, Ambient air temperature +32°C, Return Gas Temperature 20°C, Subcooling 0K

SEPR, Seasonal Energy Performance Ratio

Q [kW], Cooling Capacity

P [kW], Power Input

This table continues on the next page



For regular updates and detailed capacities, please refer to **Coolselector®2** software



| Model | Code | Version | Compressor | Electrical code (1) | Tamb [°C] | Cooling capacity Q [kW] (2) | | | | | | | EcoDesign (3) | | | | Sound power level dB(A) | Sound pressure level 10 m dB(A) |
|--------------|----------|---------|------------|---------------------|-----------|-----------------------------|--------|--------|--------|--------|--------|--------|---------------|--------|------|------|-------------------------|---------------------------------|
| | | | | | | Te [°C] | | | | | | | Q [kW] | P [kW] | COP | SEPR | | |
| | | | | | | -20°C | -15°C | -10°C | -5°C | 0°C | 5°C | 10°C | | | | | | |
| OP-MPXM068ML | 114X4308 | P00 | MLZ030T5 | G | 27 | 4.802 | 5.948 | 7.255 | 8.735 | 10.397 | 12.244 | 14.278 | 6.890 | 3.266 | 2.11 | 3.30 | 69 | 38 |
| | | | | | 32 | 4.436 | 5.518 | 6.751 | 8.148 | 9.719 | 11.469 | 13.403 | | | | | | |
| | | | | | 38 | 3.983 | 4.982 | 6.121 | 7.414 | 8.872 | 10.503 | 12.313 | | | | | | |
| | | | | | 43 | | 4.520 | 5.577 | 6.779 | 8.139 | 9.667 | 11.373 | | | | | | |
| OP-MPXM068ML | 114X4311 | P00 | MLZ030T4 | E | 27 | 4.849 | 5.986 | 7.285 | 8.758 | 10.412 | 12.255 | 14.287 | 6.911 | 3.138 | 2.20 | 3.48 | 69 | 38 |
| | | | | | 32 | 4.475 | 5.548 | 6.773 | 8.163 | 9.727 | 11.472 | 13.402 | | | | | | |
| | | | | | 38 | 4.001 | 4.992 | 6.123 | 7.409 | 8.860 | 10.486 | 12.292 | | | | | | |
| | | | | | 43 | | 4.505 | 5.553 | 6.748 | 8.102 | 9.625 | 11.326 | | | | | | |
| OP-MPXM080ML | 114X4321 | P00 | MLZ038T5 | G | 27 | 5.542 | 6.838 | 8.298 | 9.933 | 11.744 | 13.735 | 15.900 | 7.919 | 3.985 | 1.99 | 3.07 | 69 | 38 |
| | | | | | 32 | 5.155 | 6.375 | 7.747 | 9.279 | 10.980 | 12.850 | 14.891 | | | | | | |
| | | | | | 38 | 4.667 | 5.790 | 7.049 | 8.456 | 10.018 | 11.742 | 13.631 | | | | | | |
| | | | | | 43 | | 5.279 | 6.439 | 7.736 | 9.180 | 10.778 | 12.539 | | | | | | |
| OP-MPXM080ML | 114X4324 | P00 | MLZ038T4 | E | 27 | 5.641 | 6.937 | 8.405 | 10.056 | 11.893 | 13.917 | 16.126 | 7.969 | 3.716 | 2.14 | 3.49 | 69 | 38 |
| | | | | | 32 | 5.202 | 6.420 | 7.800 | 9.351 | 11.080 | 12.990 | 15.081 | | | | | | |
| | | | | | 38 | 4.654 | 5.774 | 7.041 | 8.469 | 10.064 | 11.833 | 13.779 | | | | | | |
| | | | | | 43 | | 5.214 | 6.383 | 7.703 | 9.183 | 10.832 | 12.654 | | | | | | |
| OP-MPXM108ML | 114X4344 | P00 | MLZ048T4 | E | 27 | 7.341 | 9.051 | 10.981 | 13.140 | 15.530 | 18.149 | 20.992 | 10.403 | 5.300 | 1.96 | 3.31 | 75 | 44 |
| | | | | | 32 | 6.758 | 8.360 | 10.166 | 12.187 | 14.428 | 16.891 | 19.572 | | | | | | |
| | | | | | 38 | 6.033 | 7.496 | 9.145 | 10.994 | 13.050 | 15.319 | 17.804 | | | | | | |
| | | | | | 43 | | 6.748 | 8.258 | 9.957 | 11.854 | 13.958 | 16.275 | | | | | | |
| OP-MPXM125ML | 114X4414 | P00 | MLZ058T4 | E | 27 | 8.733 | 10.765 | 13.070 | 15.662 | 18.547 | 21.726 | 25.194 | 12.411 | 5.856 | 2.12 | 3.42 | 77 | 46 |
| | | | | | 32 | 8.075 | 9.981 | 12.142 | 14.573 | 17.284 | 20.279 | 23.558 | | | | | | |
| | | | | | 38 | 7.255 | 8.998 | 10.974 | 13.204 | 15.698 | 18.466 | 21.514 | | | | | | |
| | | | | | 43 | | 8.146 | 9.960 | 12.013 | 14.320 | 16.893 | 19.744 | | | | | | |
| OP-MPXM162ML | 114X4434 | P00 | MLZ076T4 | E | 27 | 10.56 | 13.195 | 16.185 | 19.547 | 23.287 | 27.404 | 31.890 | 15.258 | 7.988 | 1.91 | 3.13 | 77 | 46 |
| | | | | | 32 | 9.631 | 12.108 | 14.920 | 18.084 | 21.611 | 25.504 | 29.760 | | | | | | |
| | | | | | 38 | 8.473 | 10.745 | 13.328 | 16.243 | 19.504 | 23.119 | 27.093 | | | | | | |
| | | | | | 43 | | 9.564 | 11.942 | 14.638 | 17.667 | 21.042 | 24.775 | | | | | | |

MBP

(1) G - Compressor 230V/1~/50Hz, fan 230V/1~/50Hz

E - Compressor 400V/3~/50Hz, fan 230V/1~/50Hz

(2) Nominal conditions (EN13215), Evaporating temperatures at dew point, Superheat 10K, Subcooling 0K

(3) Rated conditions (EN13215), Evaporating temperature (dew point) -10°C, Ambient air temperature +32°C, Return Gas Temperature 20°C, Subcooling 0K

SEPR, Seasonal Energy Performance Ratio

Q [kW], Cooling Capacity

P [kW], Power Input



For regular updates and detailed capacities, please refer to **Coolselector®2** software



| Model | Code | Version | Compressor | Electrical code (1) | Tamb [°C] | Cooling capacity Q [kW] (2) | | | | | | | EcoDesign (3) | | | | Sound power level dB(A) | Sound pressure level 10 m dB(A) | |
|--------------|----------|---------|------------|---------------------|-----------|-----------------------------|-------|-------|-------|-------|-------|-------|---------------|--------|------|------|-------------------------|---------------------------------|--|
| | | | | | | Te [°C] | | | | | | | Q [kW] | P [kW] | COP | SEPR | | | |
| | | | | | | -20°C | -15°C | -10°C | -5°C | 0°C | 5°C | 10°C | | | | | | | |
| OP-MPYM018AJ | 114X4230 | P00 | CAJ9510Z | G | 27 | 1.020 | 1.315 | 1.665 | 2.079 | 2.564 | 3.126 | 3.772 | | | | | | | |
| | | | | | 32 | 0.928 | 1.202 | 1.526 | 1.910 | 2.360 | 2.884 | 3.487 | 1.588 | 0.860 | 1.85 | | 64 | 33 | |
| | | | | | 38 | - | - | 1.358 | 1.705 | 2.114 | 2.591 | 3.142 | | | | | | | |
| | | | | | 43 | - | - | 1.216 | 1.533 | 1.907 | 2.345 | 2.852 | | | | | | | |
| OP-MPYM024AJ | 114X4200 | P00 | CAJ9513Z | G | 27 | - | 1.649 | 2.109 | 2.647 | 3.267 | 3.974 | - | | | | | | | |
| | | | | | 32 | - | 1.491 | 1.916 | 2.413 | 2.988 | 3.645 | - | 1.995 | 0.994 | 2.01 | | 64 | 33 | |
| | | | | | 38 | - | 1.302 | 1.685 | 2.134 | 2.655 | 3.252 | - | | | | | | | |
| | | | | | 43 | - | 1.143 | 1.493 | 1.902 | 2.377 | 2.924 | - | | | | | | | |
| OP-MPYM026AJ | 114X4212 | P00 | CAJ4517Z | G | 27 | 1.442 | 1.848 | 2.322 | 2.876 | 3.515 | 4.246 | 5.071 | | | | | | | |
| | | | | | 32 | 1.304 | 1.681 | 2.121 | 2.634 | 3.228 | 3.908 | 4.678 | 2.210 | 1.113 | 1.99 | | 67 | 36 | |
| | | | | | 38 | 1.138 | 1.480 | 1.878 | 2.342 | 2.880 | 3.499 | 4.203 | | | | | | | |
| | | | | | 43 | - | 1.311 | 1.674 | 2.097 | 2.589 | 3.156 | 3.804 | | | | | | | |
| OP-MPYM026AJ | 114X4213 | P00 | TAJ4517Z | E | 27 | 1.417 | 1.840 | 2.328 | 2.893 | 3.541 | 4.278 | 5.109 | | | | | | | |
| | | | | | 32 | 1.267 | 1.664 | 2.122 | 2.649 | 3.253 | 3.943 | 4.721 | 2.211 | 1.169 | 1.89 | | 67 | 36 | |
| | | | | | 38 | 1.085 | 1.450 | 1.868 | 2.349 | 2.902 | 3.532 | 4.246 | | | | | | | |
| | | | | | 43 | - | 1.270 | 1.654 | 2.096 | 2.603 | 3.184 | 3.843 | | | | | | | |
| OP-MPYM034AJ | 114X4227 | P00 | TAJ4519Z | E | 27 | 1.797 | 2.297 | 2.873 | 3.534 | 4.286 | 5.133 | 6.077 | | | | | | | |
| | | | | | 32 | 1.625 | 2.094 | 2.631 | 3.245 | 3.944 | 4.732 | 5.612 | 2.746 | 1.490 | 1.84 | | 68 | 37 | |
| | | | | | 38 | 1.415 | 1.845 | 2.335 | 2.893 | 3.529 | 4.246 | 5.049 | | | | | | | |
| | | | | | 43 | - | 1.633 | 2.083 | 2.595 | 3.177 | 3.834 | 4.571 | | | | | | | |
| OP-MPYM034AJ | 114X4226 | P00 | CAJ4519Z | G | 27 | 1.796 | 2.318 | 2.917 | 3.605 | 4.387 | 5.269 | 6.251 | | | | | | | |
| | | | | | 32 | 1.619 | 2.107 | 2.666 | 3.305 | 4.031 | 4.851 | 5.766 | 2.784 | 1.563 | 1.78 | | 68 | 37 | |
| | | | | | 38 | 1.403 | 1.849 | 2.357 | 2.935 | 3.594 | 4.338 | 5.171 | | | | | | | |
| | | | | | 43 | - | 1.631 | 2.094 | 2.621 | 3.222 | 3.901 | 4.663 | | | | | | | |
| OP-MPXM034ML | 114X4264 | P00 | MLZ015T4 | E | 27 | 2.543 | 3.128 | 3.789 | 4.528 | 5.345 | 6.239 | 7.205 | | | | | | | |
| | | | | | 32 | 2.311 | 2.854 | 3.466 | 4.151 | 4.909 | 5.739 | 6.639 | 3.532 | 1.596 | 2.21 | | 69 | 38 | |
| | | | | | 38 | 2.020 | 2.509 | 3.062 | 3.680 | 4.365 | 5.117 | 5.937 | | | | | | | |
| | | | | | 43 | 1.767 | 2.211 | 2.711 | 3.271 | 3.894 | 4.581 | 5.333 | | | | | | | |
| OP-MPXM034ML | 114X4261 | P00 | MLZ015T5 | G | 27 | 2.660 | 3.222 | 3.858 | 4.568 | 5.354 | 6.216 | 7.152 | | | | | | | |
| | | | | | 32 | 2.461 | 2.983 | 3.575 | 4.238 | 4.973 | 5.781 | 6.664 | 3.646 | 1.684 | 2.16 | | 69 | 38 | |
| | | | | | 38 | 2.214 | 2.688 | 3.227 | 3.831 | 4.505 | 5.249 | 6.065 | | | | | | | |
| | | | | | 43 | 2.003 | 2.436 | 2.929 | 3.485 | 4.106 | 4.796 | 5.557 | | | | | | | |
| OP-MPXM046ML | 114X4284 | P00 | MLZ021T4 | E | 27 | 3.493 | 4.224 | 5.044 | 5.951 | 6.942 | 8.014 | 9.159 | | | | | | | |
| | | | | | 32 | 3.224 | 3.901 | 4.658 | 5.495 | 6.412 | 7.405 | 8.470 | 4.761 | 2.224 | 2.14 | | 69 | 38 | |
| | | | | | 38 | 2.886 | 3.494 | 4.172 | 4.923 | 5.748 | 6.645 | 7.612 | | | | | | | |
| | | | | | 43 | 2.592 | 3.139 | 3.749 | 4.426 | 5.172 | 5.987 | 6.871 | | | | | | | |
| OP-MPXM046ML | 114X4281 | P00 | MLZ021T5 | G | 27 | 3.425 | 4.224 | 5.114 | 6.096 | 7.164 | 8.312 | 9.534 | | | | | | | |
| | | | | | 32 | 3.194 | 3.940 | 4.768 | 5.678 | 6.667 | 7.730 | 8.862 | 4.877 | 2.346 | 2.08 | | 69 | 38 | |
| | | | | | 38 | 2.885 | 3.562 | 4.310 | 5.130 | 6.021 | 6.980 | 8.005 | | | | | | | |
| | | | | | 43 | 2.602 | 3.217 | 3.894 | 4.637 | 5.444 | 6.315 | 7.250 | | | | | | | |

MBP
(1) G - Compressor 230V/1~/50Hz, fan 230V/1~/50Hz

E - Compressor 400V/3~/50Hz, fan 230V/1~/50Hz

(2) Nominal conditions (EN13215), Evaporating temperatures at dew point, Superheat 10K, Subcooling 0K

(3) Rated conditions (EN13215), Evaporating temperature (dew point) -10°C, Ambient air temperature +32°C, Return Gas Temperature 20°C, Subcooling 0K

* Preliminary data

SEPR, Seasonal Energy Performance Ratio

Q [kW], Cooling Capacity

P [kW], Power Input

This table continues on the next page


 For regular updates and detailed capacities, please refer to **Coolselector®2** software


| Model | Code | Version | Compressor | Electrical code (1) | Tamb [°C] | Cooling capacity Q [kW] (2) | | | | | | | EcoDesign (3) | | | | Sound power level dB(A) | Sound pressure level 10 m dB(A) | |
|--------------|----------|---------|------------|---------------------|-----------|-----------------------------|--------|--------|--------|--------|--------|--------|---------------|--------|------|------|-------------------------|---------------------------------|--|
| | | | | | | Te [°C] | | | | | | | Q [kW] | P [kW] | COP | SEPR | | | |
| | | | | | | -20°C | -15°C | -10°C | -5°C | 0°C | 5°C | 10°C | | | | | | | |
| OP-MPXM057ML | 114X4290 | P00 | MLZ026T5 | G | 27 | 4.122 | 4.969 | 5.913 | 6.954 | 8.086 | 9.304 | 10.600 | | | | | | | |
| | | | | | 32 | 3.800 | 4.578 | 5.447 | 6.404 | 7.449 | 8.576 | 9.781 | 5.583 | 3.142 | 1.78 | 3.04 | 69 | 38 | |
| | | | | | 38 | 3.403 | 4.096 | 4.870 | 5.726 | 6.662 | 7.679 | 8.772 | | | | | | | |
| | | | | | 43 | 3.060 | 3.680 | 4.373 | 5.141 | 5.986 | 6.908 | 7.908 | | | | | | | |
| OP-MPXM057ML | 114X4293 | P00 | MLZ026T4 | E | 27 | 4.125 | 4.972 | 5.918 | 6.962 | 8.098 | 9.321 | 10.624 | | | | | | | |
| | | | | | 32 | 3.805 | 4.584 | 5.455 | 6.416 | 7.465 | 8.597 | 9.809 | 5.590 | 3.022 | 1.85 | 3.15 | 69 | 38 | |
| | | | | | 38 | 3.411 | 4.106 | 4.883 | 5.742 | 6.684 | 7.706 | 8.807 | | | | | | | |
| | | | | | 43 | 3.071 | 3.693 | 4.389 | 5.162 | 6.012 | 6.941 | 7.949 | | | | | | | |
| OP-MPXM068ML | 114X4308 | P00 | MLZ030T5 | G | 27 | 5.420 | 6.596 | 7.933 | 9.440 | 11.120 | 12.973 | 14.995 | | | | | | | |
| | | | | | 32 | 5.017 | 6.119 | 7.373 | 8.785 | 10.361 | 12.103 | 14.012 | 7.516 | 3.195 | 2.35 | 3.79 | 70 | 39 | |
| | | | | | 38 | 4.514 | 5.524 | 6.671 | 7.965 | 9.414 | 11.021 | 12.790 | | | | | | | |
| | | | | | 43 | 4.076 | 5.006 | 6.061 | 7.254 | 8.593 | 10.086 | 11.736 | | | | | | | |
| OP-MPXM068ML | 114X4311 | P00 | MLZ030T4 | E | 27 | 5.417 | 6.593 | 7.931 | 9.439 | 11.120 | 12.975 | 15.000 | | | | | | | |
| | | | | | 32 | 5.016 | 6.118 | 7.371 | 8.784 | 10.362 | 12.107 | 14.018 | 7.514 | 3.131 | 2.40 | 3.87 | 70 | 39 | |
| | | | | | 38 | 4.514 | 5.524 | 6.671 | 7.966 | 9.417 | 11.027 | 12.799 | | | | | | | |
| | | | | | 43 | 4.078 | 5.007 | 6.062 | 7.256 | 8.597 | 10.093 | 11.747 | | | | | | | |
| OP-MPXM080ML | 114X4321 | P00 | MLZ038T5 | G | 27 | 6.388 | 7.726 | 9.237 | 10.922 | 12.779 | 14.805 | 16.989 | | | | | | | |
| | | | | | 32 | 5.906 | 7.152 | 8.555 | 10.120 | 11.846 | 13.732 | 15.772 | 8.733 | 3.937 | 2.22 | 3.61 | 70 | 39 | |
| | | | | | 38 | 5.291 | 6.418 | 7.686 | 9.100 | 10.665 | 12.380 | 14.243 | | | | | | | |
| | | | | | 43 | 4.747 | 5.768 | 6.918 | 8.203 | 9.628 | 11.198 | 12.911 | | | | | | | |
| OP-MPXM080ML | 114X4324 | P00 | MLZ038T4 | E | 27 | 6.425 | 7.767 | 9.281 | 10.971 | 12.837 | 14.875 | 17.078 | | | | | | | |
| | | | | | 32 | 5.939 | 7.191 | 8.602 | 10.177 | 11.918 | 13.822 | 15.886 | 8.780 | 3.684 | 2.38 | 3.84 | 70 | 39 | |
| | | | | | 38 | 5.314 | 6.450 | 7.730 | 9.159 | 10.743 | 12.482 | 14.376 | | | | | | | |
| | | | | | 43 | 4.762 | 5.793 | 6.956 | 8.257 | 9.705 | 11.302 | 13.051 | | | | | | | |
| OP-MPXM108ML | 114X4344 | P00 | MLZ048T4 | E | 27 | 8.136 | 9.851 | 11.742 | 13.807 | 16.038 | 18.425 | 20.953 | | | | | | | |
| | | | | | 32 | 7.419 | 9.018 | 10.776 | 12.693 | 14.763 | 16.980 | 19.334 | 11.027 | 5.463 | 2.02 | 3.48 | 70 | 39 | |
| | | | | | 38 | 6.510 | 7.957 | 9.545 | 11.275 | 13.147 | 15.155 | 17.296 | | | | | | | |
| | | | | | 43 | 5.717 | 7.027 | 8.465 | 10.033 | 11.733 | 13.563 | 15.523 | | | | | | | |
| OP-MPXM125ML | 114X4414 | P00 | MLZ058T4 | E | 27 | 9.354 | 11.537 | 13.979 | 16.684 | 19.656 | 22.893 | 26.389 | | | | | | | |
| | | | | | 32 | 8.516 | 10.574 | 12.872 | 15.416 | 18.213 | 21.264 | 24.570 | 13.487 | 5.945 | 2.27 | 3.61 | 77 | 46 | |
| | | | | | 38 | 7.458 | 9.357 | 11.472 | 13.815 | 16.395 | 19.218 | 22.295 | | | | | | | |
| | | | | | 43 | 6.532 | 8.289 | 10.244 | 12.412 | 14.805 | 17.435 | 20.319 | | | | | | | |
| OP-MPXM162ML | 114X4434 | P00 | MLZ076T4 | E | 27 | 12.410 | 14.960 | 17.771 | 20.824 | 24.095 | 27.559 | 31.190 | | | | | | | |
| | | | | | 32 | 11.327 | 13.638 | 16.177 | 18.933 | 21.890 | 25.031 | 28.338 | 16.991 | 8.093 | 2.10 | 3.38 | 77 | 46 | |
| | | | | | 38 | 9.967 | 11.978 | 14.180 | 16.572 | 19.145 | 21.894 | 24.809 | | | | | | | |
| | | | | | 43 | 8.792 | 10.540 | 12.451 | 14.530 | 16.778 | 19.194 | 21.780 | | | | | | | |

MBP

(1) G - Compressor 230V/1~/50Hz, fan 230V/1~/50Hz

E - Compressor 400V/3~/50Hz, fan 230V/1~/50Hz

(2) Nominal conditions (EN13215), Evaporating temperatures at dew point, Superheat 10K, Subcooling 0K

(3) Rated conditions (EN13215), Evaporating temperature (dew point) -10°C, Ambient air temperature +32°C, Return Gas Temperature 20°C, Subcooling 0K

* Preliminary data

SEPR, Seasonal Energy Performance Ratio

Q [kW], Cooling Capacity

P [kW], Power Input



For regular updates and detailed capacities, please refer to **Coolselector®2** software



| Model | Code | Version | Compressor | Electrical code (1) | Tamb [°C] | Cooling capacity Q [kW] (2) | | | | | | | EcoDesign (3) | | | | Sound power level dB(A) | Sound pressure level 10 m dB(A) | |
|--------------|----------|---------|------------|---------------------|-----------|-----------------------------|--------|--------|--------|--------|--------|--------|---------------|--------|------|------|-------------------------|---------------------------------|--|
| | | | | | | Te [°C] | | | | | | | Q [kW] | P [kW] | COP | SEPR | | | |
| | | | | | | -20°C | -15°C | -10°C | -5°C | 0°C | 5°C | 10°C | | | | | | | |
| OP-MPXM034ML | 114X4264 | P00 | MLZ015T4 | E | 27 | 2.297 | 2.872 | 3.545 | 4.322 | 5.210 | 6.211 | 7.326 | | | | | | | |
| | | | | | 32 | 2.112 | 2.653 | 3.288 | 4.024 | 4.865 | 5.815 | 6.876 | 3.351 | 1.536 | 2.18 | | 68 | 37 | |
| | | | | | 38 | 1.881 | 2.379 | 2.965 | 3.648 | 4.431 | 5.318 | 6.312 | | | | | | | |
| | | | | | 43 | | 2.141 | 2.684 | 3.320 | 4.053 | 4.886 | 5.822 | | | | | | | |
| OP-MPXM034ML | 114X4261 | P00 | MLZ015T5 | G | 27 | 2.326 | 2.908 | 3.588 | 4.374 | 5.271 | 6.282 | 7.408 | | | | | | | |
| | | | | | 32 | 2.138 | 2.686 | 3.328 | 4.071 | 4.921 | 5.881 | 6.952 | 3.392 | 1.560 | 2.17 | | 68 | 37 | |
| | | | | | 38 | 1.903 | 2.407 | 3.000 | 3.690 | 4.480 | 5.376 | 6.379 | | | | | | | |
| | | | | | 43 | | 2.166 | 2.715 | 3.357 | 4.097 | 4.938 | 5.882 | | | | | | | |
| OP-MPXM046ML | 114X4284 | P00 | MLZ021T4 | E | 27 | 2.968 | 3.727 | 4.597 | 5.584 | 6.691 | 7.919 | 9.265 | | | | | | | |
| | | | | | 32 | 2.732 | 3.451 | 4.274 | 5.206 | 6.252 | 7.413 | 8.687 | 4.364 | 2.204 | 1.98 | | 68 | 37 | |
| | | | | | 38 | 2.438 | 3.105 | 3.868 | 4.732 | 5.702 | 6.780 | 7.965 | | | | | | | |
| | | | | | 43 | | 2.805 | 3.515 | 4.320 | 5.225 | 6.231 | 7.339 | | | | | | | |
| OP-MPXM046ML | 114X4281 | P00 | MLZ021T5 | G | 27 | 3.021 | 3.794 | 4.678 | 5.680 | 6.803 | 8.047 | 9.411 | | | | | | | |
| | | | | | 32 | 2.781 | 3.512 | 4.348 | 5.294 | 6.355 | 7.531 | 8.820 | 4.440 | 2.248 | 1.97 | | 68 | 37 | |
| | | | | | 38 | 2.48 | 3.159 | 3.933 | 4.810 | 5.794 | 6.885 | 8.083 | | | | | | | |
| | | | | | 43 | | 2.852 | 3.572 | 4.389 | 5.306 | 6.324 | 7.445 | | | | | | | |
| OP-MPXM057ML | 114X4293 | P00 | MLZ026T4 | E | 27 | 3.575 | 4.477 | 5.501 | 6.652 | 7.929 | 9.331 | 10.849 | | | | | | | |
| | | | | | 32 | 3.281 | 4.132 | 5.096 | 6.179 | 7.381 | 8.699 | 10.128 | 5.214 | 2.788 | 1.87 | 3.01 | 68 | 37 | |
| | | | | | 38 | 2.912 | 3.698 | 4.588 | 5.586 | 6.693 | 7.909 | 9.229 | | | | | | | |
| | | | | | 43 | | 3.320 | 4.144 | 5.068 | 6.094 | 7.223 | 8.448 | | | | | | | |
| OP-MPXM057ML | 114X4290 | P00 | MLZ026T5 | G | 27 | 3.636 | 4.551 | 5.590 | 6.757 | 8.051 | 9.468 | 11.002 | | | | | | | |
| | | | | | 32 | 3.336 | 4.199 | 5.178 | 6.275 | 7.492 | 8.824 | 10.267 | 5.298 | 2.833 | 1.87 | 3.02 | 68 | 37 | |
| | | | | | 38 | 2.960 | 3.757 | 4.659 | 5.670 | 6.790 | 8.019 | 9.350 | | | | | | | |
| | | | | | 43 | | 3.372 | 4.206 | 5.141 | 6.180 | 7.319 | 8.555 | | | | | | | |
| OP-MPXM068ML | 114X4308 | P00 | MLZ030T5 | G | 27 | 4.657 | 5.759 | 7.057 | 8.559 | 10.269 | 12.191 | 14.322 | | | | | | | |
| | | | | | 32 | 4.361 | 5.381 | 6.589 | 7.994 | 9.602 | 11.415 | 13.433 | 6.722 | 3.117 | 2.16 | 3.46 | 68 | 37 | |
| | | | | | 38 | 4.021 | 4.938 | 6.034 | 7.318 | 8.798 | 10.476 | 12.354 | | | | | | | |
| | | | | | 43 | | 4.579 | 5.576 | 6.756 | 8.124 | 9.687 | 11.445 | | | | | | | |
| OP-MPXM068ML | 114X4311 | P00 | MLZ030T4 | E | 27 | 4.693 | 5.804 | 7.111 | 8.624 | 10.346 | 12.281 | 14.426 | | | | | | | |
| | | | | | 32 | 4.395 | 5.424 | 6.642 | 8.057 | 9.677 | 11.503 | 13.534 | 6.774 | 2.991 | 2.27 | 3.62 | 68 | 37 | |
| | | | | | 38 | 4.054 | 4.979 | 6.084 | 7.379 | 8.870 | 10.561 | 12.453 | | | | | | | |
| | | | | | 43 | | 4.619 | 5.625 | 6.815 | 8.195 | 9.770 | 11.542 | | | | | | | |
| OP-MPXM080ML | 114X4321 | P00 | MLZ038T5 | G | 27 | 5.297 | 6.531 | 7.978 | 9.644 | 11.533 | 13.643 | 15.969 | | | | | | | |
| | | | | | 32 | 4.957 | 6.097 | 7.441 | 8.996 | 10.767 | 12.753 | 14.950 | 7.601 | 3.817 | 1.99 | 3.22 | 68 | 37 | |
| | | | | | 38 | 4.568 | 5.588 | 6.801 | 8.217 | 9.841 | 11.674 | 13.713 | | | | | | | |
| | | | | | 43 | | 5.176 | 6.275 | 7.570 | 9.066 | 10.767 | 12.669 | | | | | | | |
| OP-MPXM080ML | 114X4324 | P00 | MLZ038T4 | E | 27 | 5.357 | 6.606 | 8.069 | 9.754 | 11.663 | 13.796 | 16.145 | | | | | | | |
| | | | | | 32 | 5.016 | 6.170 | 7.530 | 9.104 | 10.895 | 12.904 | 15.126 | 7.691 | 3.546 | 2.17 | 3.48 | 68 | 37 | |
| | | | | | 38 | 4.624 | 5.659 | 6.889 | 8.324 | 9.969 | 11.824 | 13.887 | | | | | | | |
| | | | | | 43 | | 5.245 | 6.361 | 7.675 | 9.193 | 10.916 | 12.844 | | | | | | | |
| OP-MPXM108ML | 114X4344 | P00 | MLZ048T4 | E | 27 | 6.935 | 8.714 | 10.739 | 13.021 | 15.563 | 18.365 | 21.418 | | | | | | | |
| | | | | | 32 | 6.269 | 7.949 | 9.862 | 12.019 | 14.424 | 17.077 | 19.972 | 10.082 | 5.206 | 1.94 | 3.19 | 68 | 37 | |
| | | | | | 38 | 5.444 | 7.003 | 8.777 | 10.780 | 13.017 | 15.490 | 18.194 | | | | | | | |
| | | | | | 43 | | 6.188 | 7.844 | 9.715 | 11.810 | 14.131 | 16.675 | | | | | | | |
| OP-MPXM125ML | 114X4414 | P00 | MLZ058T4 | E | 27 | 8.114 | 10.135 | 12.435 | 15.023 | 17.903 | 21.073 | 24.524 | | | | | | | |
| | | | | | 32 | 7.45 | 9.356 | 11.519 | 13.951 | 16.659 | 19.640 | 22.888 | 11.766 | 5.925 | 1.99 | 3.18 | 68 | 37 | |
| | | | | | 38 | 6.624 | 8.385 | 10.379 | 12.621 | 15.117 | 17.869 | 20.873 | | | | | | | |
| | | | | | 43 | | 7.545 | 9.394 | 11.473 | 13.790 | 16.349 | 19.147 | | | | | | | |
| OP-MPXM162ML | 114X4434 | P00 | MLZ076T4 | E | 27 | 10.156 | 12.831 | 15.872 | 19.291 | 23.090 | 27.263 | 31.793 | | | | | | | |
| | | | | | 32 | 9.173 | 11.702 | 14.573 | 17.800 | 21.388 | 25.332 | 29.620 | 14.892 | 7.845 | 1.90 | 3.11 | 68 | 37 | |
| | | | | | 38 | 7.955 | 10.300 | 12.959 | 15.949 | 19.278 | 22.944 | 26.936 | | | | | | | |
| | | | | | 43 | | 9.092 | 11.568 | 14.355 | 17.463 | 20.892 | 24.633 | | | | | | | |

MBP
(1) G - Compressor 230V/1~/50Hz, fan 230V/1~/50Hz
E - Compressor 400V/3~/50Hz, fan 230V/1~/50Hz
(2) Nominal conditions (EN13215), Evaporating temperatures at dew point, Superheat 10K, Subcooling 0K
(3) Rated conditions (EN13215), Evaporating temperature (dew point) -10°C, Ambient air temperature +32°C, Return Gas Temperature 20°C, Subcooling 0K
SEPR, Seasonal Energy Performance Ratio
Q [kW], Cooling Capacity
P [kW], Power Input



For regular updates and detailed capacities, please refer to **Coolselector®2** software



| Model | Code | Version | Compressor | Electrical code (1) | Tamb [°C] | Cooling capacity Q [kW] (2) | | | | | | | EcoDesign (3) | | | | Sound power level dB(A) | Sound pressure level 10 m dB(A) | |
|--------------|----------|---------|------------|---------------------|-----------|-----------------------------|--------|--------|--------|--------|--------|--------|---------------|--------|------|------|-------------------------|---------------------------------|--|
| | | | | | | Te [°C] | | | | | | | Q [kW] | P [kW] | COP | SEPR | | | |
| | | | | | | -20°C | -15°C | -10°C | -5°C | 0°C | 5°C | 10°C | | | | | | | |
| OP-MPXM034ML | 114X4264 | P00 | MLZ015T4 | E | 27 | 2.441 | 3.044 | 3.746 | 4.555 | 5.477 | 6.514 | 7.669 | | | | | | | |
| | | | | | 32 | 2.25 | 2.819 | 3.483 | 4.250 | 5.125 | 6.112 | 7.213 | 3.515 | 1.639 | 2.14 | | 68 | 37 | |
| | | | | | 38 | | 2.536 | 3.151 | 3.864 | 4.681 | 5.605 | 6.638 | | | | | | | |
| | | | | | 43 | | | 2.861 | 3.526 | 4.292 | 5.161 | 6.136 | | | | | | | |
| OP-MPXM034ML | 114X4261 | P00 | MLZ015T5 | G | 27 | 2.499 | 3.115 | 3.833 | 4.659 | 5.598 | 6.655 | 7.831 | | | | | | | |
| | | | | | 32 | 2.303 | 2.884 | 3.563 | 4.345 | 5.237 | 6.243 | 7.362 | 3.596 | 1.680 | 2.14 | | 68 | 37 | |
| | | | | | 38 | | 2.594 | 3.221 | 3.948 | 4.780 | 5.721 | 6.772 | | | | | | | |
| | | | | | 43 | | | 2.924 | 3.602 | 4.381 | 5.266 | 6.257 | | | | | | | |
| OP-MPXM046ML | 114X4284 | P00 | MLZ021T4 | E | 27 | 3.186 | 3.991 | 4.910 | 5.946 | 7.103 | 8.380 | 9.776 | | | | | | | |
| | | | | | 32 | 2.94 | 3.704 | 4.574 | 5.555 | 6.650 | 7.860 | 9.183 | 4.624 | 2.390 | 1.94 | | 68 | 37 | |
| | | | | | 38 | | 3.343 | 4.151 | 5.062 | 6.080 | 7.207 | 8.439 | | | | | | | |
| | | | | | 43 | | | 3.781 | 4.631 | 5.583 | 6.637 | 7.792 | | | | | | | |
| OP-MPXM046ML | 114X4281 | P00 | MLZ021T5 | G | 27 | 3.243 | 4.062 | 4.995 | 6.047 | 7.220 | 8.515 | 9.928 | | | | | | | |
| | | | | | 32 | 2.993 | 3.769 | 4.652 | 5.647 | 6.758 | 7.984 | 9.322 | 4.704 | 2.439 | 1.93 | | 68 | 37 | |
| | | | | | 38 | | 3.400 | 4.220 | 5.144 | 6.176 | 7.316 | 8.563 | | | | | | | |
| | | | | | 43 | | | 3.842 | 4.704 | 5.668 | 6.734 | 7.902 | | | | | | | |
| OP-MPXM057ML | 114X4293 | P00 | MLZ026T4 | E | 27 | 3.782 | 4.724 | 5.790 | 6.983 | 8.302 | 9.743 | 11.298 | | | | | | | |
| | | | | | 32 | 3.479 | 4.370 | 5.375 | 6.499 | 7.742 | 9.100 | 10.567 | 5.445 | 2.992 | 1.82 | 2.98 | 68 | 37 | |
| | | | | | 38 | | 3.923 | 4.852 | 5.889 | 7.037 | 8.293 | 9.650 | | | | | | | |
| | | | | | 43 | | | 4.393 | 5.355 | 6.421 | 7.587 | | | | | | | | |
| OP-MPXM057ML | 114X4290 | P00 | MLZ026T5 | G | 27 | 3.898 | 4.867 | 5.960 | 7.182 | 8.530 | 10.000 | 11.583 | | | | | | | |
| | | | | | 32 | 3.584 | 4.499 | 5.530 | 6.680 | 7.949 | 9.333 | 10.824 | 5.604 | 3.095 | 1.81 | 2.98 | 68 | 37 | |
| | | | | | 38 | | 4.035 | 4.986 | 6.047 | 7.218 | 8.495 | 9.873 | | | | | | | |
| | | | | | 43 | | | 4.510 | 5.493 | 6.578 | 7.764 | | | | | | | | |
| OP-MPXM068ML | 114X4308 | P00 | MLZ030T5 | G | 27 | 5.011 | 6.171 | 7.530 | 9.097 | 10.876 | 12.869 | 15.074 | | | | | | | |
| | | | | | 32 | 4.713 | 5.790 | 7.058 | 8.527 | 10.203 | 12.087 | 14.178 | 7.129 | 3.361 | 2.12 | 3.41 | 69 | 38 | |
| | | | | | 38 | | 5.344 | 6.497 | 7.843 | 9.389 | 11.137 | 13.088 | | | | | | | |
| | | | | | 43 | | | 6.036 | 7.275 | 8.708 | 10.339 | 12.168 | | | | | | | |
| OP-MPXM068ML | 114X4311 | P00 | MLZ030T4 | E | 27 | 5.049 | 6.219 | 7.588 | 9.166 | 10.958 | 12.964 | 15.184 | | | | | | | |
| | | | | | 32 | 4.75 | 5.836 | 7.115 | 8.595 | 10.282 | 12.180 | 14.286 | 7.186 | 3.224 | 2.23 | 3.58 | 69 | 38 | |
| | | | | | 38 | | 5.388 | 6.552 | 7.909 | 9.467 | 11.229 | 13.194 | | | | | | | |
| | | | | | 43 | | | 6.089 | 7.339 | 8.784 | 10.429 | 12.273 | | | | | | | |
| OP-MPXM080ML | 114X4321 | P00 | MLZ038T5 | G | 27 | 5.698 | 6.996 | 8.510 | 10.247 | 12.208 | 14.394 | 16.797 | | | | | | | |
| | | | | | 32 | 5.357 | 6.559 | 7.967 | 9.591 | 11.433 | 13.494 | 15.767 | 8.059 | 4.134 | 1.95 | 3.16 | 69 | 38 | |
| | | | | | 38 | | 6.046 | 7.321 | 8.803 | 10.496 | 12.400 | 14.513 | | | | | | | |
| | | | | | 43 | | | 6.791 | 8.148 | 9.710 | 11.480 | 13.453 | | | | | | | |
| OP-MPXM080ML | 114X4324 | P00 | MLZ038T4 | E | 27 | 5.713 | 7.016 | 8.534 | 10.277 | 12.245 | 14.438 | 16.850 | | | | | | | |
| | | | | | 32 | 5.372 | 6.579 | 7.993 | 9.623 | 11.473 | 13.541 | 15.824 | 8.084 | 3.938 | 2.05 | 3.32 | 69 | 38 | |
| | | | | | 38 | | 6.067 | 7.349 | 8.838 | 10.539 | 12.453 | 14.576 | | | | | | | |
| | | | | | 43 | | | 6.820 | 8.185 | 9.757 | 11.537 | 13.522 | | | | | | | |
| OP-MPXM108ML | 114X4344 | P00 | MLZ048T4 | E | 27 | 7.187 | 9.007 | 11.068 | 13.382 | 15.956 | 18.789 | 21.877 | | | | | | | |
| | | | | | 32 | 6.517 | 8.243 | 10.196 | 12.389 | 14.829 | 17.517 | 20.450 | 10.322 | 5.568 | 1.85 | 3.07 | 75 | 44 | |
| | | | | | 38 | | 7.290 | 9.110 | 11.154 | 13.430 | 15.942 | 18.687 | | | | | | | |
| | | | | | 43 | | | 8.169 | 10.086 | 12.224 | 14.588 | 17.175 | | | | | | | |
| OP-MPXM125ML | 114X4414 | P00 | MLZ058T4 | E | 27 | 8.71 | 10.842 | 13.251 | 15.948 | 18.937 | 22.213 | 25.769 | | | | | | | |
| | | | | | 32 | 8.024 | 10.040 | 12.313 | 14.853 | 17.667 | 20.753 | 24.104 | 12.456 | 6.423 | 1.94 | 3.13 | 77 | 46 | |
| | | | | | 38 | | 9.036 | 11.138 | 13.486 | 16.087 | 18.941 | 22.044 | | | | | | | |
| | | | | | 43 | | | 10.116 | 12.299 | 14.719 | 17.377 | 20.272 | | | | | | | |
| OP-MPXM162ML | 114X4434 | P00 | MLZ076T4 | E | 27 | 10.814 | 13.619 | 16.792 | 20.344 | 24.275 | 28.576 | 33.225 | | | | | | | |
| | | | | | 32 | 9.803 | 12.462 | 15.466 | 18.827 | 22.547 | 26.618 | 31.020 | 15.654 | 8.407 | 1.86 | 3.05 | 77 | 46 | |
| | | | | | 38 | | 11.009 | 13.801 | 16.925 | 20.383 | 24.170 | 28.268 | | | | | | | |
| | | | | | 43 | | | 12.346 | 15.263 | 18.496 | 22.039 | 25.877 | | | | | | | |

MBP
(1) G - Compressor 230V/1~/50Hz, fan 230V/1~/50Hz
E - Compressor 400V/3~/50Hz, fan 230V/1~/50Hz
(2) Nominal conditions (EN13215), Evaporating temperatures at dew point, Superheat 10K, Subcooling 0K
(3) Rated conditions (EN13215), Evaporating temperature (dew point) -10°C, Ambient air temperature +32°C, Return Gas Temperature 20°C, Subcooling 0K
SEPR, Seasonal Energy Performance Ratio
Q [kW], Cooling Capacity
P [kW], Power Input



For regular updates and detailed capacities, please refer to **Coolselector®2** software



| Model | Code | Version | Compressor | Electrical code (1) | Tamb [°C] | Cooling capacity Q [kW] (2) | | | | | | EcoDesign (3) | | | | Sound power level dB(A) | Sound pressure level 10 m dB(A) | |
|--------------|----------|---------|------------|---------------------|-----------|-----------------------------|-------|-------|-------|-------|-------|---------------|--------|-------|------|-------------------------|---------------------------------|------|
| | | | | | | Te [°C] | | | | | | Q [kW] | P [kW] | COP | SEPR | | | |
| | | | | | | -20°C | -15°C | -10°C | -5°C | 0°C | 5°C | | | | | | | 10°C |
| OP-MPYM008MY | 114X4119 | P00 | MLY80RAb | G | 27 | 0.756 | 0.936 | 1.132 | 1.345 | 1.573 | | | | | | | | |
| | | | | | 32 | 0.683 | 0.848 | 1.031 | 1.230 | 1.446 | 0.888 | 0.421 | 2.11 | | 60 | 29 | | |
| | | | | | 38 | 0.596 | 0.744 | 0.909 | 1.092 | 1.293 | | | | | | | | |
| | | | | | 43 | 0.524 | 0.657 | 0.808 | 0.978 | 1.165 | | | | | | | | |
| OP-MPYM009MY | 114X4120 | P00 | MLY90RAb | G | 27 | 0.814 | 1.007 | 1.217 | 1.443 | 1.684 | | | | | | | | |
| | | | | | 32 | 0.737 | 0.914 | 1.108 | 1.319 | 1.546 | 0.960 | 0.480 | 1.99 | | 61 | 30 | | |
| | | | | | 38 | 0.644 | 0.802 | 0.978 | 1.171 | 1.381 | | | | | | | | |
| | | | | | 43 | 0.568 | 0.709 | 0.869 | 1.047 | 1.244 | | | | | | | | |
| OP-MPYM012MP | 114X4121 | P00 | MPT12RA | G | 27 | 1.115 | 1.365 | 1.631 | 1.914 | 2.213 | 2.526 | | | | | | | |
| | | | | | 32 | 1.010 | 1.239 | 1.486 | 1.751 | 2.033 | 2.331 | 1.300 | 0.646 | 2.01 | | 63 | 32 | |
| | | | | | 38 | 0.883 | 1.089 | 1.313 | 1.556 | 1.817 | 2.097 | | | | | | | |
| | | | | | 43 | 0.779 | 0.964 | 1.169 | 1.394 | 1.638 | 1.902 | | | | | | | |
| OP-MPYM014MP | 114X4122 | P00 | MPT14RA | G | 27 | 1.130 | 1.396 | 1.685 | 1.999 | 2.335 | 2.693 | | | | | | | |
| | | | | | 32 | 1.031 | 1.276 | 1.546 | 1.841 | 2.160 | 2.502 | 1.340 | 0.795 | 1.69 | | 60 | 29 | |
| | | | | | 38 | 0.913 | 1.133 | 1.380 | 1.652 | 1.950 | 2.274 | | | | | | | |
| | | | | | | 0.814 | 1.014 | 1.241 | 1.494 | 1.775 | 2.084 | | | | | | | |
| OP-MPYM018AJ | 114X4230 | P00 | CAJ9510Z | G | 27 | 1.184 | 1.477 | 1.818 | 2.209 | 2.651 | 3.146 | 3.694 | | | | | | |
| | | | | | 32 | 1.078 | 1.351 | 1.666 | 2.024 | 2.429 | 2.881 | 3.382 | 1.746 | 0.903 | 1.93 | | 67 | 36 |
| | | | | | 38 | | | 1.480 | 1.800 | 2.160 | 2.561 | 3.005 | | | | | | |
| | | | | | 43 | | | 1.324 | 1.612 | 1.933 | 2.292 | 2.688 | | | | | | |
| OP-MPYM024AJ | 114X4200 | P00 | CAJ9513Z | G | 27 | 1.822 | 2.288 | 2.820 | 3.418 | 4.082 | 4.808 | | | | | | | |
| | | | | | 32 | 1.638 | 2.067 | 2.557 | 3.108 | 3.720 | 4.392 | 2.168 | 1.045 | 2.07 | | 67 | 36 | |
| | | | | | 38 | 1.417 | 1.804 | 2.243 | 2.738 | 3.288 | 3.895 | | | | | | | |
| | | | | | 43 | 1.235 | 1.586 | 1.983 | 2.431 | 2.930 | 3.482 | | | | | | | |

MBP
(1) G - Compressor 230V/1~/50Hz, fan 230V/1~/50Hz

E - Compressor 400V/3~/50Hz, fan 230V/1~/50Hz

(2) Nominal conditions (EN13215), Evaporating temperatures at dew point, Superheat 10K, Subcooling 0K

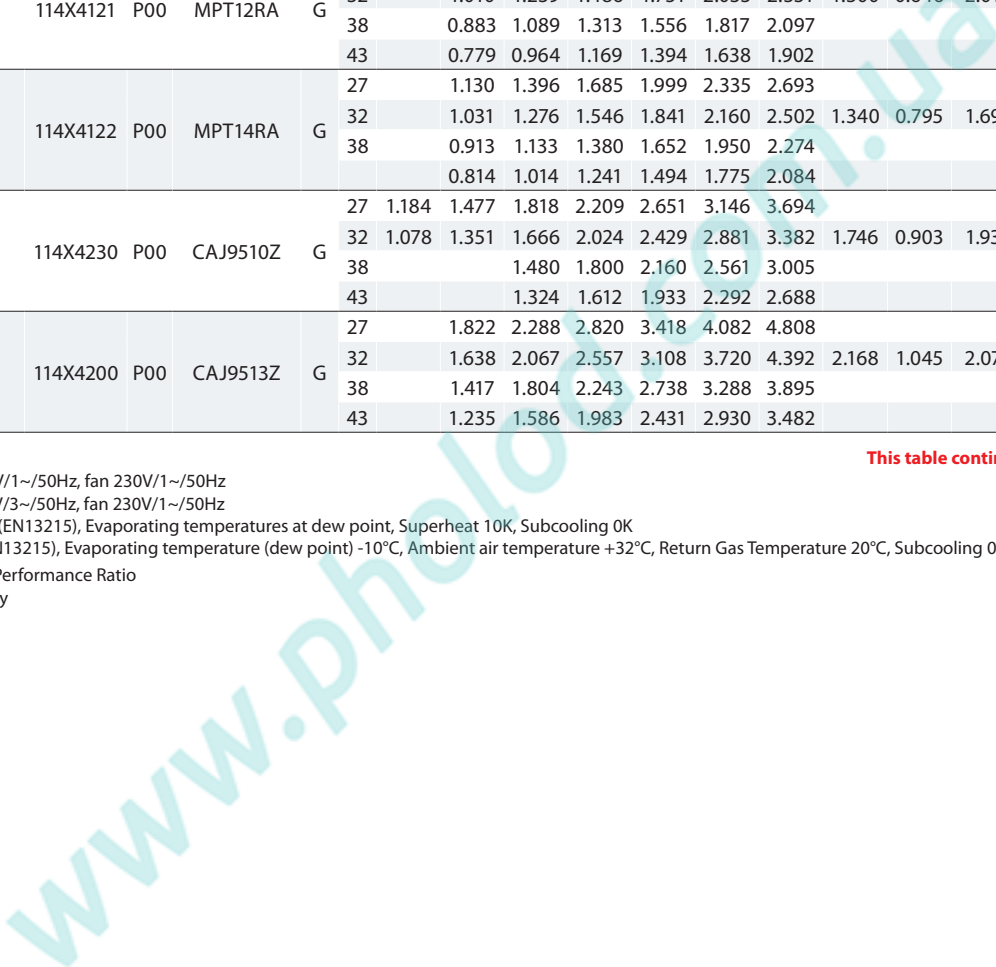
(3) Rated conditions (EN13215), Evaporating temperature (dew point) -10°C, Ambient air temperature +32°C, Return Gas Temperature 20°C, Subcooling 0K

SEPR, Seasonal Energy Performance Ratio

Q [kW], Cooling Capacity

P [kW], Power Input

This table continues on the next page


For regular updates and detailed capacities, please refer to **Coolselector®2** software


| Model | Code | Version | Compressor | Electrical code (1) | Tamb [°C] | Cooling capacity Q [kW] (2) | | | | | | | EcoDesign (3) | | | | Sound power level dB(A) | Sound pressure level 10 m dB(A) |
|--------------|----------|---------|------------|---------------------|-----------|-----------------------------|-------|-------|-------|-------|-------|-------|---------------|--------|------|------|-------------------------|---------------------------------|
| | | | | | | Te [°C] | | | | | | | Q [kW] | P [kW] | COP | SEPR | | |
| | | | | | | -20°C | -15°C | -10°C | -5°C | 0°C | 5°C | 10°C | | | | | | |
| OP-MPYM026AJ | 114X4212 | P00 | CAJ4517Z | G | 27 | 1.626 | 2.039 | 2.517 | 3.061 | 3.674 | 4.356 | 5.104 | 2.399 | 1.172 | 2.05 | | 67 | 36 |
| | | | | | 32 | 1.459 | 1.844 | 2.285 | 2.788 | 3.353 | 3.982 | 4.675 | | | | | | |
| | | | | | 38 | 1.259 | 1.609 | 2.007 | 2.459 | 2.967 | 3.533 | 4.159 | | | | | | |
| | | | | | 43 | | 1.413 | 1.776 | 2.185 | 2.644 | 3.157 | 3.728 | | | | | | |
| OP-MPYM026AJ | 114X4213 | P00 | TAJ4517Z | E | 27 | 1.595 | 2.029 | 2.522 | 3.078 | 3.700 | 4.388 | 5.141 | 2.398 | 1.231 | 1.95 | | 67 | 36 |
| | | | | | 32 | 1.416 | 1.824 | 2.285 | 2.802 | 3.379 | 4.017 | 4.717 | | | | | | |
| | | | | | 38 | 1.199 | 1.575 | 1.996 | 2.465 | 2.987 | 3.565 | 4.200 | | | | | | |
| | | | | | 43 | | 1.368 | 1.754 | 2.182 | 2.657 | 3.184 | 3.765 | | | | | | |
| OP-MPYM034AJ | 114X4227 | P00 | TAJ4519Z | E | 27 | 2.018 | 2.526 | 3.102 | 3.747 | 4.461 | 5.242 | 6.087 | 2.970 | 1.573 | 1.89 | | 67 | 36 |
| | | | | | 32 | 1.811 | 2.287 | 2.823 | 3.420 | 4.079 | 4.799 | 5.581 | | | | | | |
| | | | | | 38 | 1.559 | 1.997 | 2.484 | 3.023 | 3.616 | 4.264 | 4.969 | | | | | | |
| | | | | | 43 | | 1.753 | 2.199 | 2.689 | 3.227 | 3.815 | 4.456 | | | | | | |
| OP-MPYM034AJ | 114X4226 | P00 | CAJ4519Z | G | 27 | 2.015 | 2.547 | 3.147 | 3.819 | 4.563 | 5.376 | 6.257 | 3.008 | 1.650 | 1.82 | | 67 | 36 |
| | | | | | 32 | 1.802 | 2.300 | 2.859 | 3.480 | 4.166 | 4.916 | 5.729 | | | | | | |
| | | | | | 38 | 1.544 | 2.000 | 2.506 | 3.065 | 3.680 | 4.353 | 5.085 | | | | | | |
| | | | | | 43 | | 1.749 | 2.209 | 2.715 | 3.270 | 3.878 | 4.541 | | | | | | |
| OP-MPXM034ML | 114X4264 | P00 | MLZ015T4 | E | 27 | 2.502 | 3.081 | 3.734 | 4.463 | 5.272 | 6.158 | 7.121 | 3.580 | 1.693 | 2.11 | | 68 | 37 |
| | | | | | 32 | 2.251 | 2.793 | 3.398 | 4.073 | 4.820 | 5.640 | 6.535 | | | | | | |
| | | | | | 38 | 1.926 | 2.424 | 2.974 | 3.584 | 4.258 | 5.001 | 5.814 | | | | | | |
| | | | | | 43 | 1.634 | 2.095 | 2.600 | 3.157 | 3.772 | 4.451 | 5.198 | | | | | | |
| OP-MPXM034ML | 114X4261 | P00 | MLZ015T5 | G | 27 | 2.591 | 3.149 | 3.783 | 4.496 | 5.289 | 6.163 | 7.122 | 3.669 | 1.762 | 2.08 | | 68 | 37 |
| | | | | | 32 | 2.373 | 2.890 | 3.478 | 4.142 | 4.882 | 5.703 | 6.608 | | | | | | |
| | | | | | 38 | 2.101 | 2.569 | 3.102 | 3.705 | 4.383 | 5.139 | 5.981 | | | | | | |
| | | | | | 43 | 1.867 | 2.293 | 2.780 | 3.334 | 3.959 | 4.662 | 5.452 | | | | | | |
| OP-MPXM046ML | 114X4284 | P00 | MLZ021T4 | E | 27 | 3.404 | 4.124 | 4.928 | 5.824 | 6.815 | 7.905 | 9.099 | 4.778 | 2.350 | 2.03 | | 68 | 37 |
| | | | | | 32 | 3.108 | 3.772 | 4.514 | 5.340 | 6.257 | 7.271 | 8.390 | | | | | | |
| | | | | | 38 | 2.729 | 3.325 | 3.990 | 4.731 | 5.559 | 6.482 | 7.511 | | | | | | |
| | | | | | 43 | 2.392 | 2.930 | 3.529 | 4.199 | 4.952 | 5.798 | 6.754 | | | | | | |
| OP-MPXM046ML | 114X4281 | P00 | MLZ021T5 | G | 27 | 3.450 | 4.182 | 5.004 | 5.917 | 6.922 | 8.018 | 9.203 | 4.848 | 2.435 | 1.99 | | 68 | 37 |
| | | | | | 32 | 3.147 | 3.821 | 4.578 | 5.421 | 6.352 | 7.371 | 8.481 | | | | | | |
| | | | | | 38 | 2.762 | 3.365 | 4.043 | 4.800 | 5.640 | 6.567 | 7.586 | | | | | | |
| | | | | | 43 | 2.422 | 2.964 | 3.574 | 4.258 | 5.022 | 5.872 | 6.817 | | | | | | |

MBP

(1) G - Compressor 230V/1~/50Hz, fan 230V/1~/50Hz

E - Compressor 400V/3~/50Hz, fan 230V/1~/50Hz

(2) Nominal conditions (EN13215), Evaporating temperatures at dew point, Superheat 10K, Subcooling 0K

(3) Rated conditions (EN13215), Evaporating temperature (dew point) -10°C, Ambient air temperature +32°C, Return Gas Temperature 20°C, Subcooling 0K

SEPR, Seasonal Energy Performance Ratio

Q [kW], Cooling Capacity

P [kW], Power Input

This table continues on the next page



For regular updates and detailed capacities, please refer to **Coolselector®2** software



| Model | Code | Version | Compressor | Electrical code (1) | T _{amb} [°C] | Cooling capacity Q [kW] (2) | | | | | | | EcoDesign (3) | | | | Sound power level dB(A) | Sound pressure level 10 m dB(A) | |
|--------------|----------|---------|------------|---------------------|-----------------------|-----------------------------|--------|--------|--------|--------|--------|--------|---------------|--------|------|------|-------------------------|---------------------------------|--|
| | | | | | | T _e [°C] | | | | | | | Q [kW] | P [kW] | COP | SEPR | | | |
| | | | | | | -20°C | -15°C | -10°C | -5°C | 0°C | 5°C | 10°C | | | | | | | |
| OP-MPXM057ML | 114X4290 | P00 | MLZ026T5 | G | 27 | 3.973 | 4.806 | 5.741 | 6.777 | 7.912 | 9.142 | 10.467 | | | | | | | |
| | | | | | 32 | 3.619 | 4.382 | 5.238 | 6.189 | 7.234 | 8.373 | 9.609 | 5.571 | 3.291 | 1.69 | 2.90 | 68 | 37 | |
| | | | | | 38 | 3.179 | 3.855 | 4.615 | 5.460 | 6.396 | 7.424 | 8.553 | | | | | | | |
| | | | | | 43 | 2.795 | 3.397 | 4.073 | 4.830 | 5.673 | 6.609 | 7.650 | | | | | | | |
| OP-MPXM057ML | 114X4293 | P00 | MLZ026T4 | E | 27 | 3.977 | 4.812 | 5.749 | 6.788 | 7.926 | 9.162 | 10.493 | | | | | | | |
| | | | | | 32 | 3.625 | 4.390 | 5.249 | 6.203 | 7.252 | 8.397 | 9.639 | 5.580 | 3.164 | 1.76 | 3.01 | 68 | 37 | |
| | | | | | 38 | 3.189 | 3.868 | 4.630 | 5.480 | 6.420 | 7.455 | 8.590 | | | | | | | |
| | | | | | 43 | 2.809 | 3.414 | 4.094 | 4.855 | 5.703 | 6.645 | 7.693 | | | | | | | |
| OP-MPXM068ML | 114X4308 | P00 | MLZ030T5 | G | 27 | 5.273 | 6.446 | 7.786 | 9.302 | 10.997 | 12.876 | 14.938 | | | | | | | |
| | | | | | 32 | 4.832 | 5.927 | 7.178 | 8.594 | 10.182 | 11.949 | 13.898 | 7.568 | 3.353 | 2.26 | 3.66 | 69 | 38 | |
| | | | | | 38 | 4.283 | 5.278 | 6.417 | 7.709 | 9.166 | 10.795 | 12.606 | | | | | | | |
| | | | | | 43 | 3.806 | 4.714 | 5.755 | 6.941 | 8.284 | 9.797 | 11.492 | | | | | | | |
| OP-MPXM068ML | 114X4311 | P00 | MLZ030T4 | E | 27 | 5.271 | 6.443 | 7.784 | 9.300 | 10.998 | 12.880 | 14.945 | | | | | | | |
| | | | | | 32 | 4.832 | 5.926 | 7.177 | 8.594 | 10.185 | 11.954 | 13.907 | 7.566 | 3.279 | 2.31 | 3.73 | 69 | 38 | |
| | | | | | 38 | 4.284 | 5.279 | 6.418 | 7.711 | 9.170 | 10.803 | 12.618 | | | | | | | |
| | | | | | 43 | 3.809 | 4.717 | 5.758 | 6.945 | 8.291 | 9.806 | 11.506 | | | | | | | |
| OP-MPXM080ML | 114X4321 | P00 | MLZ038T5 | G | 27 | 6.066 | 7.469 | 9.041 | 10.768 | 12.634 | 14.626 | 16.730 | | | | | | | |
| | | | | | 32 | 5.504 | 6.806 | 8.273 | 9.892 | 11.650 | 13.536 | 15.538 | 8.735 | 4.027 | 2.17 | 3.33 | 69 | 38 | |
| | | | | | 38 | 4.826 | 5.992 | 7.319 | 8.797 | 10.415 | 12.164 | 14.039 | | | | | | | |
| | | | | | 43 | 4.268 | 5.307 | 6.506 | 7.857 | 9.349 | 10.976 | 12.738 | | | | | | | |
| OP-MPXM080ML | 114X4324 | P00 | MLZ038T4 | E | 27 | 6.238 | 7.571 | 9.084 | 10.780 | 12.662 | 14.727 | 16.973 | | | | | | | |
| | | | | | 32 | 5.708 | 6.948 | 8.353 | 9.930 | 11.682 | 13.612 | 15.720 | 8.822 | 3.856 | 2.29 | 3.71 | 69 | 38 | |
| | | | | | 38 | 5.026 | 6.146 | 7.415 | 8.842 | 10.434 | 12.197 | 14.137 | | | | | | | |
| | | | | | 43 | 4.423 | 5.435 | 6.584 | 7.881 | 9.335 | 10.956 | 12.755 | | | | | | | |
| OP-MPXM108ML | 114X4344 | P00 | MLZ048T4 | E | 27 | 7.856 | 9.491 | 11.303 | 13.308 | 15.517 | 17.940 | 20.584 | | | | | | | |
| | | | | | 32 | 7.147 | 8.653 | 10.321 | 12.168 | 14.209 | 16.459 | 18.932 | 10.943 | 5.478 | 2.00 | 3.31 | 75 | 44 | |
| | | | | | 38 | 6.248 | 7.596 | 9.087 | 10.742 | 12.581 | 14.623 | 16.892 | | | | | | | |
| | | | | | 43 | 5.457 | 6.671 | 8.012 | 9.504 | 11.172 | 13.041 | 15.144 | | | | | | | |
| OP-MPXM125ML | 114X4414 | P00 | MLZ058T4 | E | 27 | 9.409 | 11.580 | 14.000 | 16.676 | 19.608 | 22.795 | 26.233 | | | | | | | |
| | | | | | 32 | 8.513 | 10.552 | 12.820 | 15.326 | 18.074 | 21.068 | 24.310 | 13.539 | 6.214 | 2.18 | 3.48 | 77 | 46 | |
| | | | | | 38 | 7.385 | 9.257 | 11.334 | 13.628 | 16.149 | 18.906 | 21.911 | | | | | | | |
| | | | | | 43 | 6.404 | 8.125 | 10.034 | 12.145 | 14.472 | 17.028 | 19.836 | | | | | | | |
| OP-MPXM162ML | 114X4434 | P00 | MLZ076T4 | E | 27 | 12.516 | 15.012 | 17.725 | 20.689 | 23.929 | 27.465 | 31.318 | | | | | | | |
| | | | | | 32 | 11.400 | 13.616 | 16.030 | 18.678 | 21.592 | 24.799 | 28.325 | 16.975 | 8.520 | 1.99 | 3.23 | 77 | 46 | |
| | | | | | 38 | 10.034 | 11.882 | 13.909 | 16.158 | 18.665 | 21.464 | 24.592 | | | | | | | |
| | | | | | 43 | 8.881 | 10.396 | 12.079 | 13.976 | 16.130 | 18.579 | 21.368 | | | | | | | |

MBP
(1) G - Compressor 230V/1~/50Hz, fan 230V/1~/50Hz

E - Compressor 400V/3~/50Hz, fan 230V/1~/50Hz

(2) Nominal conditions (EN13215), Evaporating temperatures at dew point, Superheat 10K, Subcooling 0K

(3) Rated conditions (EN13215), Evaporating temperature (dew point) -10°C, Ambient air temperature +32°C, Return Gas Temperature 20°C, Subcooling 0K

SEPR, Seasonal Energy Performance Ratio

Q [kW], Cooling Capacity

P [kW], Power Input


For regular updates and detailed capacities, please refer to **Coolselector®2** software


| Application | Code number | Model number | Compressor Model | Electrical Code (1) | Refrigerant (2) | Condenser Coil | | | Fan | | Receiver | Dimensions | | | | | Weight | | |
|-------------|-------------|------------------|------------------|---------------------|-----------------|----------------|---------|-----------------|--------|---------|----------|------------|--------|-------|-------|--------------|-------------|-------|-----|
| | | | | | | Type | Airflow | Internal Volume | Number | Blade ø | Volume | Housing | Height | Width | Depth | Suction line | Liquid Line | Gross | Net |
| | | | | | | | | | | | | | | | | | | | |
| LBP | 114X3118 | OP-LPQM017MPP00G | MPT16LA | G | Q | A7 | 2,200 | 0.41 | 1 | 365 | 1.3 | H1 | 652 | 906 | 356 | 3/8" | 3/8" | 65 | 49 |
| LBP | 114X3216 | OP-LPQM026AJP00G | CAJ2446Z | G | Q | D7 | 3,300 | 0.61 | 1 | 450 | 3.4 | H2 | 813 | 1055 | 430 | 1/2" | 3/8" | 97 | 80 |
| LBP | 114X3225 | OP-LPQM048NTP00G | NTZ048-5 | G | Q | D7 | 3,300 | 0.61 | 1 | 450 | 3.4 | H2 | 813 | 1055 | 430 | 5/8" | 3/8" | 102 | 80 |
| LBP | 114X3233 | OP-LPQM048NTP00E | NTZ048-4 | E | Q | D7 | 3,300 | 0.61 | 1 | 450 | 3.4 | H2 | 813 | 1055 | 430 | 5/8" | 3/8" | 102 | 80 |
| LBP | 114X3241 | OP-LPQM068NTP00G | NTZ068-5 | G | Q | D7 | 3,300 | 0.61 | 1 | 450 | 3.4 | H2 | 813 | 1055 | 430 | 5/8" | 3/8" | 102 | 80 |
| LBP | 114X3249 | OP-LPQM068NTP00E | NTZ068-4 | E | Q | D7 | 3,300 | 0.61 | 1 | 450 | 3.4 | H2 | 813 | 1055 | 430 | 5/8" | 3/8" | 102 | 80 |
| LBP | 114X3252 | OP-LPQM074FHP00G | FH2511Z | G | Q | D7 | 3,300 | 0.61 | 1 | 450 | 3.4 | H2 | 813 | 1055 | 430 | 5/8" | 3/8" | 111 | 94 |
| LBP | 114X3253 | OP-LPQM074FHP00E | TFH2511Z | E | Q | D7 | 3,300 | 0.61 | 1 | 450 | 3.4 | H2 | 813 | 1055 | 430 | 5/8" | 3/8" | 106 | 89 |
| LBP | 114X3357 | OP-LPQM096NTP00E | NTZ096-4 | E | Q | G7 | 5,200 | 1.69 | 1 | 500 | 6.2 | H3 | 967 | 1406 | 481 | 7/8" | 1/2" | 143 | 107 |
| LBP | 114X3365 | OP-LPQM136NTP00E | NTZ136-4 | E | Q | G7 | 5,200 | 1.69 | 1 | 500 | 6.2 | H3 | 967 | 1406 | 481 | 1 1/8" | 1/2" | 143 | 107 |
| LBP | 114X3476 | OP-LPQM215LLP00E | LLZ024T4 | E | Q | J7 | 9,500 | 2.03 | 2 | 500 | 10 | H4 | 966 | 1800 | 600 | 1 1/8" | 3/4" | 218 | 169 |
| LBP | 114X3482 | OP-LPQM271LLP00E | LLZ034T4 | E | Q | J7 | 9,500 | 2.03 | 2 | 500 | 10 | H4 | 966 | 1800 | 600 | 1 1/8" | 3/4" | 218 | 169 |
| MBP | 114X4119 | OP-MPYM008MYP00G | MLY80RAB | G | Y | A7 | 2,200 | 0.41 | 1 | 365 | 1.3 | H1 | 652 | 906 | 356 | 3/8" | 1/4" | 65 | 49 |
| MBP | 114X4120 | OP-MPYM009MYP00G | MLY90RAB | G | Y | A7 | 2,200 | 0.41 | 1 | 365 | 1.3 | H1 | 652 | 906 | 356 | 3/8" | 1/4" | 65 | 49 |
| MBP | 114X4121 | OP-MPYM012MPP00G | MPT12RA | G | Y | A7 | 2,200 | 0.41 | 1 | 365 | 1.3 | H1 | 652 | 906 | 356 | 3/8" | 3/8" | 65 | 49 |
| MBP | 114X4122 | OP-MPYM014MPP00G | MPT14RA | G | Y | A7 | 2,200 | 0.41 | 1 | 365 | 1.3 | H1 | 652 | 906 | 356 | 3/8" | 3/8" | 65 | 49 |
| MBP | 114X4200 | OP-MPYM024AJP00G | CAJ9513Z | G | Y | D7 | 3,300 | 0.61 | 1 | 450 | 3.4 | H2 | 813 | 1055 | 430 | 1/2" | 3/8" | 97 | 80 |
| MBP | 114X4212 | OP-MPYM026AJP00G | CAJ4517Z | G | Y | D7 | 3,300 | 0.61 | 1 | 450 | 3.4 | H2 | 813 | 1055 | 430 | 1/2" | 3/8" | 97 | 80 |
| MBP | 114X4213 | OP-MPYM026AJP00E | TAJ4517Z | E | Y | D7 | 3,300 | 0.61 | 1 | 450 | 3.4 | H2 | 813 | 1055 | 430 | 1/2" | 3/8" | 97 | 80 |
| MBP | 114X4220 | OP-MPGM033AJP00G | CAJ4511Y | G | G | D7 | 3,300 | 0.61 | 1 | 450 | 3.4 | H2 | 813 | 1055 | 430 | 1/2" | 3/8" | 97 | 80 |
| MBP | 114X4226 | OP-MPYM034AJP00G | CAJ4519Z | G | Y | D7 | 3,300 | 0.61 | 1 | 450 | 3.4 | H2 | 813 | 1055 | 430 | 1/2" | 3/8" | 97 | 80 |
| MBP | 114X4227 | OP-MPYM034AJP00E | TAJ4519Z | E | Y | D7 | 3,300 | 0.61 | 1 | 450 | 3.4 | H2 | 813 | 1055 | 430 | 1/2" | 3/8" | 97 | 80 |
| MBP | 114X4230 | OP-MPYM018AJP00G | CAJ9510Z | G | Y | D7 | 3,300 | 0.61 | 1 | 450 | 3.4 | H2 | 813 | 1055 | 430 | 1/2" | 3/8" | 97 | 80 |
| MBP | 114X4261 | OP-MPXM034MLP00G | MLZ015T5 | G | X | D7 | 3,300 | 0.61 | 1 | 450 | 3.4 | H2 | 813 | 1055 | 430 | 3/4" | 1/2" | 109 | 87 |
| MBP | 114X4264 | OP-MPXM034MLP00E | MLZ015T4 | E | X | D7 | 3,300 | 0.61 | 1 | 450 | 3.4 | H2 | 813 | 1055 | 430 | 3/4" | 1/2" | 109 | 87 |
| MBP | 114X4281 | OP-MPXM046MLP00G | MLZ021T5 | G | X | D7 | 3,300 | 0.61 | 1 | 450 | 3.4 | H2 | 813 | 1055 | 430 | 3/4" | 1/2" | 109 | 87 |
| MBP | 114X4284 | OP-MPXM046MLP00E | MLZ021T4 | E | X | D7 | 3,300 | 0.61 | 1 | 450 | 3.4 | H2 | 813 | 1055 | 430 | 3/4" | 1/2" | 109 | 87 |
| MBP | 114X4290 | OP-MPXM057MLP00G | MLZ026T5 | G | X | D7 | 3,300 | 0.61 | 1 | 450 | 3.4 | H2 | 813 | 1055 | 430 | 3/4" | 1/2" | 109 | 87 |
| MBP | 114X4293 | OP-MPXM057MLP00E | MLZ026T4 | E | X | D7 | 3,300 | 0.61 | 1 | 450 | 3.4 | H2 | 813 | 1055 | 430 | 3/4" | 1/2" | 109 | 87 |
| MBP | 114X4308 | OP-MPXM068MLP00G | MLZ030T5 | G | X | G7 | 5,200 | 1.69 | 1 | 500 | 6.2 | H3 | 967 | 1406 | 481 | 7/8" | 5/8" | 137 | 101 |
| MBP | 114X4311 | OP-MPXM068MLP00E | MLZ030T4 | E | X | G7 | 5,200 | 1.69 | 1 | 500 | 6.2 | H3 | 967 | 1406 | 481 | 7/8" | 5/8" | 137 | 101 |
| MBP | 114X4321 | OP-MPXM080MLP00G | MLZ038T5 | G | X | G7 | 5,200 | 1.69 | 1 | 500 | 6.2 | H3 | 967 | 1406 | 481 | 7/8" | 5/8" | 137 | 101 |
| MBP | 114X4324 | OP-MPXM080MLP00E | MLZ038T4 | E | X | G7 | 5,200 | 1.69 | 1 | 500 | 6.2 | H3 | 967 | 1406 | 481 | 7/8" | 5/8" | 137 | 101 |
| MBP | 114X4344 | OP-MPXM108MLP00E | MLZ048T4 | E | X | G7 | 5,200 | 1.69 | 1 | 500 | 6.2 | H3 | 967 | 1406 | 481 | 7/8" | 5/8" | 137 | 101 |
| MBP | 114X4414 | OP-MPXM125MLP00E | MLZ058T4 | E | X | J7 | 9,500 | 2.03 | 2 | 500 | 10 | H4 | 966 | 1800 | 600 | 1 1/8" | 3/4" | 218 | 169 |
| MBP | 114X4434 | OP-MPXM162MLP00E | MLZ076T4 | E | X | J7 | 9,500 | 2.03 | 2 | 500 | 10 | H4 | 966 | 1800 | 600 | 1 1/8" | 3/4" | 218 | 169 |

(1) G - Compressor 230V/1~/50Hz, fan 230V/1~/50Hz

E - Compressor 400V/3~/50Hz, fan 230V/1~/50Hz

(2) G - R134a

X - R134a, R404A/R507, R407A, R407F, R449A, R448A

Y - R404A/R507, R449A

Q - R404A/R507, R452A

| Designation | LPQM017MP | LPQM026AJ | LPQM048NT | LPQM048NT | LPQM068NT | LPQM068NT | LPQM074FH |
|-------------------------------------|-----------|-----------|-----------|-----------|-----------|-----------|-----------|
| Code Number | 114X3118 | 114X3216 | 114X3225 | 114X3233 | 114X3241 | 114X3249 | 114X3252 |
| Compressor Description | MPT16LA | CAJ2446Z | NTZ048-5 | NTZ048-4 | NTZ068-5 | NTZ068-4 | FH2511Z |
| Oil | POE32 | RL32HA/HT | 175PZ-POE | 175PZ-POE | 175PZ-POE | 175PZ-POE | RL32HA/HT |
| Housing | H1 | H2 | H2 | H2 | H2 | H2 | H2 |
| Spare Parts | | | | | | | |
| Compressor single pack | 123B2127 | 118U3992 | 120F0228 | 120F0226 | 120F0232 | 120F0230 | 118U3914 |
| Condenser | 118U3492 | 118U3493 | 118U3493 | 118U3493 | 118U3493 | 118U3493 | 118U3493 |
| Discharge pressure sensor | 118U3722 | 118U3722 | 118U3722 | 118U3722 | 118U3722 | 118U3722 | 118U3722 |
| Fan assembly | | | | | | | |
| Fan blade | 118U3480 | 118U3481 | 118U3481 | 118U3481 | 118U3481 | 118U3481 | 118U3481 |
| Fan capacitor | 118U3296 | 118U3297 | 118U3297 | 118U3297 | 118U3297 | 118U3297 | 118U3297 |
| Fan cowl/grill | 118U3483 | 118U3484 | 118U3484 | 118U3484 | 118U3484 | 118U3484 | 118U3484 |
| Fan motor | 118U3477 | 118U3823 | 118U3823 | 118U3823 | 118U3823 | 118U3823 | 118U3823 |
| Filter drier | 023Z5039 | 023Z5040 | 023Z5040 | 023Z5040 | 023Z5040 | 023Z5040 | 023Z5040 |
| High-pressure switch | 118U3718 | 118U3718 | 118U3718 | 118U3718 | 118U3718 | 118U3718 | 118U3718 |
| Liquid valve | 009G7051 | 009G7051 | 009G7051 | 009G7051 | 009G7051 | 009G7051 | 009G7051 |
| Low-pressure switch | 118U3720 | 118U3720 | 118U3720 | 118U3720 | 118U3720 | 118U3720 | 118U3720 |
| Receiver | 118U3474 | 118U3475 | 118U3475 | 118U3475 | 118U3475 | 118U3475 | 118U3475 |
| Sight glass | 014L0182 | 014L0172 | 014L0172 | 014L0172 | 014L0172 | 014L0172 | 014L0172 |
| Suction pressure sensor | 118U3721 | 118U3721 | 118U3721 | 118U3721 | 118U3721 | 118U3721 | 118U3721 |
| Suction valve | 009G7051 | 009G7051 | 009G7053 | 009G7053 | 009G7053 | 009G7053 | 009G7053 |
| Electrical Spare Parts | | | | | | | |
| Crankcase heater | 192H2096 | 192H2096 | 120Z0459 | 120Z0459 | 120Z0459 | 120Z0459 | 120Z0459 |
| Optyma™ Plus Controller | 118U3465 | 118U3465 | 118U3465 | 118U3465 | 118U3465 | 118U3465 | 118U3465 |
| Discharge temperature sensor | 084N2007 | 084N2007 | 084N2007 | 084N2007 | 084N2007 | 084N2007 | 084N2007 |
| Suction and ambient temp sensor | 084N0003 | 084N0003 | 084N0003 | 084N0003 | 084N0003 | 084N0003 | 084N0003 |
| Contact kit | 118U3845 | 118U3845 | 118U3846 | 118U3845 | 118U3848 | 118U3845 | 118U3845 |
| Door handle | 118U3858 | 118U3858 | 118U3858 | 118U3858 | 118U3858 | 118U3858 | 118U3858 |
| Main switch kit | 118U3853 | 118U3851 | 118U3852 | 118U3853 | 118U3854 | 118U3851 | 118U3853 |
| Run capacitor | 123B9219 | | 8173041 | | 8173041 | | |
| Starting capacitor | 123B9316 | 118U5191 | 8173001 | | 8173001 | | 118U5199 |
| Starting relay | 123B9151 | | 8173022 | | 8173022 | | |
| Electrical Characteristics | | | | | | | |
| Wiring Diagram | WD7 | WD3 | WD3 | WD5 | WD3 | WD5 | WD3 |
| LRA Compressor [A] | 19 | 29 | 37 | 16 | 53 | 25 | 81 |
| MCC Compressor [A] | 4 | 7.9 | 11 | 4.8 | 17 | 8.4 | 24 |
| Max cont.power [kW] | 0.89 | 1.31 | 2.19 | 2.28 | 3.62 | 3.57 | 3.45 |
| MCC Fan [A] | 0.32 | 0.47 | 0.47 | 0.47 | 0.47 | 0.47 | 0.47 |
| Fan Power [W] | 1x25 | 1x68 | 1x68 | 1x68 | 1x68 | 1x68 | 1x68 |
| Min Fuse rating gL/gG (A) | 10 | 16 | 20 | 10 | 25 | 16 | 32 |
| Accessories (Not Premounted) | | | | | | | |
| Acoustic hood | | | 120Z575 | 120Z575 | 120Z575 | 120Z575 | |
| Adap-Kool Accessories | | | | | | | |
| External Display & settings | 084B8575 | 084B8575 | 084B8575 | 084B8575 | 084B8575 | 084B8575 | 084B8575 |
| Cable for EKA Displays 6 m | 084B7299 | 084B7299 | 084B7299 | 084B7299 | 084B7299 | 084B7299 | 084B7299 |
| Mounting kit for EKA Display | 084B8584 | 084B8584 | 084B8584 | 084B8584 | 084B8584 | 084B8584 | 084B8584 |
| MODBUS Communication Module | 084B8571 | 084B8571 | 084B8571 | 084B8571 | 084B8571 | 084B8571 | 084B8571 |
| Lon-Bus Communication Module | 084B8579 | 084B8579 | 084B8579 | 084B8579 | 084B8579 | 084B8579 | 084B8579 |
| Programming Key | 084B8582 | 084B8582 | 084B8582 | 084B8582 | 084B8582 | 084B8582 | 084B8582 |
| Sheet Metal | | | | | | | |
| Top Panel | 118U5121 | 118U5126 | 118U5126 | 118U5126 | 118U5126 | 118U5126 | 118U5126 |
| Fan Panel | 118U5122 | 118U5127 | 118U5127 | 118U5127 | 118U5127 | 118U5127 | 118U5127 |
| Back Panel | 118U5123 | 118U5128 | 118U5128 | 118U5128 | 118U5128 | 118U5128 | 118U5128 |
| Front Panel | 118U5124 | 118U5129 | 118U5129 | 118U5129 | 118U5129 | 118U5129 | 118U5129 |
| Access Panel | 118U5125 | 118U5130 | 118U5130 | 118U5130 | 118U5130 | 118U5130 | 118U5130 |
| Left side Panel | 118U5163 | 118U5164 | 118U5164 | 118U5164 | 118U5164 | 118U5164 | 118U5164 |
| Fan Panel (LH) | | | | | | | |
| Fan Panel (RH) | | | | | | | |

MCA - Minimum Circuit Ampacity
MCC - Max Continuous Current
LRA - Locked Rotor Amps

| Designation | LPQM074FH | LPQM096NT | LPQM136NT | LPQM215LL | LPQM271LL |
|-------------------------------------|-----------|-----------|-----------|-------------|-------------|
| Code Number | 114X3253 | 114X3357 | 114X3365 | 114X3476 | 114X3482 |
| Compressor Description | TFH2511Z | NTZ096-4 | NTZ136-4 | LLZ024T4 | LLZ034T4 |
| Oil | RL32HA/HT | 175PZ-POE | 175PZ-POE | 215PZ-POE46 | 215PZ-POE46 |
| Housing | H2 | H3 | H3 | H4 | H4 |
| Spare Parts | | | | | |
| Compressor single pack | 118U3915 | 120F0234 | 120F0236 | 121L9541 | 121L9543 |
| Condenser | 118U3493 | 118U3494 | 118U3494 | 118U3717 | 118U3717 |
| Discharge pressure sensor | 118U3722 | 118U3722 | 118U3722 | 118U3722 | 118U3722 |
| Fan assembly | | 118U3829 | 118U3829 | 118U3829 | 118U3829 |
| Fan blade | 118U3481 | | | | |
| Fan capacitor | 118U3297 | | | | |
| Fan cowl/grill | 118U3484 | 118U3485 | 118U3485 | 118U3485 | 118U3485 |
| Fan motor | 118U3823 | | | | |
| Filter drier | 023Z5040 | 023Z5044 | 023Z5044 | 023Z5046 | 023Z5046 |
| High-pressure switch | 118U3718 | 118U3718 | 118U3718 | 118U3718 | 118U3718 |
| Liquid valve | 009G7051 | 009G7052 | 009G7052 | 009G7054 | 009G7054 |
| Low-pressure switch | 118U3720 | 118U3720 | 118U3720 | 118U3720 | 118U3720 |
| Receiver | 118U3475 | 118U3476 | 118U3476 | 118U3716 | 118U3716 |
| Sight glass | 014L0172 | 014L0173 | 014L0173 | 014L0175 | 014L0175 |
| Suction pressure sensor | 118U3721 | 118U3721 | 118U3721 | 118U3721 | 118U3721 |
| Suction valve | 009G7053 | 009G7055 | 009G7056 | 009G7056 | 009G7056 |
| Electrical Spare Parts | | | | | |
| Crankcase heater | 120Z0459 | 120Z0459 | 120Z0459 | 120Z5040 | 120Z5040 |
| Optyma™ Plus Controller | 118U3465 | 118U3465 | 118U3465 | 118U3465 | 118U3465 |
| Discharge temperature sensor | 084N2007 | 084N2007 | 084N2007 | 084N2007 | 084N2007 |
| Suction and ambient temp sensor | 084N0003 | 084N0003 | 084N0003 | 084N0003 | 084N0003 |
| Contact kit | 118U3845 | 118U3846 | 118U3847 | 118U3848 | 118U3848 |
| Door handle | 118U3858 | 118U3858 | 118U3858 | 118U3858 | 118U3858 |
| Main switch kit | 118U3853 | 118U3851 | 118U3852 | 118U3856 | 118U3856 |
| Run capacitor | | | | | |
| Starting capacitor | | | | | |
| Starting relay | | | | | |
| Electrical Characteristics | | | | | |
| Wiring Diagram | WD5 | WD5 | WD5 | WD6 | WD6 |
| LRA Compressor [A] | 28 | 32 | 51 | 95 | 150 |
| MCC Compressor [A] | 7.2 | 10.1 | 14.3 | 21 | 26 |
| Max cont.power [kW] | 3.34 | 4.53 | 6.87 | 7.96 | 11.1 |
| MCC Fan [A] | 0.47 | 0.97 | 0.97 | 2x0.97 | 2x0.97 |
| Fan Power [W] | 1x68 | 1x130 | 1x130 | 2x130 | 2x130 |
| Min Fuse rating gL/gG (A) | 16 | 16 | 20 | 32 | 40 |
| Accessories (Not Premounted) | | | | | |
| Acoustic hood | | 120Z576 | 120Z576 | 120Z5053 | 120Z5055 |
| Adap-Kool Accessories | | | | | |
| External Display & settings | 084B8575 | 084B8575 | 084B8575 | 084B8575 | 084B8575 |
| Cable for EKA Displays 6 m | 084B7299 | 084B7299 | 084B7299 | 084B7299 | 084B7299 |
| Mounting kit for EKA Display | 084B8584 | 084B8584 | 084B8584 | 084B8584 | 084B8584 |
| MODBUS Communication Module | 084B8571 | 084B8571 | 084B8571 | 084B8571 | 084B8571 |
| Lon-Bus Communication Module | 084B8579 | 084B8579 | 084B8579 | 084B8579 | 084B8579 |
| Programming Key | 084B8582 | 084B8582 | 084B8582 | 084B8582 | 084B8582 |
| Sheet Metal | | | | | |
| Top Panel | 118U5126 | 118U5131 | 118U5131 | 118U5136 | 118U5136 |
| Fan Panel | 118U5127 | 118U5132 | 118U5132 | | |
| Back Panel | 118U5128 | 118U5133 | 118U5133 | 118U5139 | 118U5139 |
| Front Panel | 118U5129 | 118U5134 | 118U5134 | | |
| Access Panel | 118U5130 | 118U5135 | 118U5135 | 118U5140 | 118U5140 |
| Left side Panel | 118U5164 | 118U5165 | 118U5165 | 118U5166 | 118U5166 |
| Fan Panel (LH) | | | | 118U5137 | 118U5137 |
| Fan Panel (RH) | | | | 118U5138 | 118U5138 |

MCA - Minimum Circuit Ampacity
MCC - Max Continuous Current
LRA - Locked Rotor Amps

| Designation | MPYM008MY | MPYM009MY | MPYM012MP | MPYM014MP | MPYM024AJ | MPYM026AJ | MPYM026AJ | MPGM033AJ | MPYM034AJ |
|-------------------------------------|-----------|-----------|-----------|-----------|-----------|-----------|-----------|-----------|-----------|
| Code Number | 114X4119 | 114X4120 | 114X4121 | 114X4122 | 114X4200 | 114X4212 | 114X4213 | 114X4220 | 114X4226 |
| Compressor Description | MLY90RAB | MLY90RAB | MPT12RA | MPT14RA | CAJ9513Z | CAJ4517Z | TAJ4517Z | CAJ4511Y | CAJ4519Z |
| Oil | POE32 | POE32 | POE32 | POE32 | RL32HA/HT | RL32HA/HT | RL32HA/HT | RL32HA/HT | RL32HA/HT |
| Housing | H1 | H1 | H1 | H1 | H2 | H2 | H2 | H2 | H2 |
| Spare Parts | | | | | | | | | |
| Compressor single pack | 123B2510 | 123B2514 | 123B2518 | 123B2704 | 118U3995 | 118U3993 | 118U3991 | 118U3996 | 118U3994 |
| Condenser | 118U3492 | 118U3492 | 118U3492 | 118U3492 | 118U3493 | 118U3493 | 118U3493 | 118U3493 | 118U3493 |
| Discharge pressure sensor | 118U3722 | 118U3722 | 118U3722 | 118U3722 | 118U3722 | 118U3722 | 118U3722 | 118U3722 | 118U3722 |
| Fan assembly | | | | | | | | | |
| Fan blade | 118U3480 | 118U3480 | 118U3480 | 118U3480 | 118U3481 | 118U3481 | 118U3481 | 118U3481 | 118U3481 |
| Fan capacitor | 118U3296 | 118U3296 | 118U3296 | 118U3296 | 118U3297 | 118U3297 | 118U3297 | 118U3297 | 118U3297 |
| Fan cowl/grill | 118U3483 | 118U3483 | 118U3483 | 118U3483 | 118U3484 | 118U3484 | 118U3484 | 118U3484 | 118U3484 |
| Fan motor | 118U3477 | 118U3477 | 118U3477 | 118U3477 | 118U3823 | 118U3823 | 118U3823 | 118U3823 | 118U3823 |
| Filter drier | 023Z5039 | 023Z5040 | 023Z5040 | 023Z5040 | 023Z5040 | 023Z5040 | 023Z5040 | 023Z5041 | 023Z5040 |
| High-pressure switch | 118U3718 | 118U3718 | 118U3718 | 118U3718 | 118U3718 | 118U3718 | 118U3718 | 118U3718 | 118U3718 |
| Liquid valve | 009G7050 | 009G7050 | 009G7051 | 009G7051 | 009G7022 | 009G7022 | 009G7022 | 009G7022 | 009G7022 |
| Low-pressure switch | 118U3720 | 118U3720 | 118U3720 | 118U3720 | 118U3720 | 118U3720 | 118U3720 | 118U3720 | 118U3720 |
| Receiver | 118U3474 | 118U3474 | 118U3474 | 118U3474 | 118U3475 | 118U3475 | 118U3475 | 118U3475 | 118U3475 |
| Sight glass | 014L0181 | 014L0181 | 014L0181 | 014L0181 | 014L0172 | 014L0172 | 014L0172 | 014L0172 | 014L0172 |
| Suction pressure sensor | 118U3721 | 118U3721 | 118U3721 | 118U3721 | 118U3721 | 118U3721 | 118U3721 | 118U3721 | 118U3721 |
| Suction valve | 009G7051 | 009G7051 | 009G7051 | 009G7051 | 009G7021 | 009G7021 | 009G7021 | 009G7021 | 009G7021 |
| Electrical Spare Parts | | | | | | | | | |
| Crankcase heater | 192H2096 | 192H2096 | 192H2096 | 192H2096 | 192H2096 | 192H2096 | 192H2096 | 192H2096 | 192H2096 |
| Optyma™ Plus Controller | 118U3465 | 118U3465 | 118U3465 | 118U3465 | 118U3465 | 118U3465 | 118U3465 | 118U3465 | 118U3465 |
| Discharge temperature sensor | 084N2007 | 084N2007 | 084N2007 | 084N2007 | 084N2007 | 084N2007 | 084N2007 | 084N2007 | 084N2007 |
| Suction and ambient temp sensor | 084N0003 | 084N0003 | 084N0003 | 084N0003 | 084N0003 | 084N0003 | 084N0003 | 084N0003 | 084N0003 |
| Contact kit | 118U3845 | 118U3845 | 118U3845 | 118U3845 | 118U3845 | 118U3846 | 118U3845 | 118U3845 | 118U3847 |
| Door handle | 118U3858 | 118U3858 | 118U3858 | 118U3858 | 118U3858 | 118U3858 | 118U3858 | 118U3858 | 118U3858 |
| Main switch kit | 118U3853 | 118U3853 | 118U3853 | 118U3853 | 118U3851 | 118U3851 | 118U3851 | 118U3851 | 118U3852 |
| Run capacitor | 123B9315 | 123B9315 | 123B9315 | 123B9315 | | | | | |
| Starting capacitor | 123B9222 | 123B9222 | 123B9215 | 123B9226 | 118U5198 | 118U5195 | | 118U5194 | 118U5196 |
| Starting relay | 123B9133 | 123B9133 | 123B9151 | 123B9139 | | | | | |
| Electrical Characteristics | | | | | | | | | |
| Wiring Diagram | WD7 | WD7 | WD7 | WD7 | WD3 | WD3 | WD2 | WD3 | WD3 |
| LRA Compressor [A] | 14 | 17 | 18.5 | 21 | 33.5 | 38.5 | 18 | 30 | 45 |
| MCC Compressor [A] | 4.9 | 5.3 | 5.3 | 6.5 | 10.2 | 12.7 | 4 | 8.9 | 15.2 |
| Max cont.power [kW] | 0.55 | 0.62 | 0.84 | 1.03 | 1.75 | 1.96 | 2.05 | 1.5 | 2.7 |
| MCC Fan [A] | 0.32 | 0.32 | 0.32 | 0.32 | 0.47 | 0.47 | 0.47 | 0.47 | 0.47 |
| Fan Power [W] | 1x25 | 1x25 | 1x25 | 1x25 | 1x68 | 1x68 | 1x68 | 1x68 | 1x68 |
| Min Fuse rating gL/gG (A) | 10 | 10 | 10 | 16 | 20 | 20 | 10 | 16 | 20 |
| Accessories (Not Premounted) | | | | | | | | | |
| Acoustic hood | | | | | | | | | |
| Adap-Kool Accessories | | | | | | | | | |
| External Display & settings | 084B8575 | 084B8575 | 084B8575 | 084B8575 | 084B8575 | 084B8575 | 084B8575 | 084B8575 | 084B8575 |
| Cable for EKA Displays 6 m | 084B7299 | 084B7299 | 084B7299 | 084B7299 | 084B7299 | 084B7299 | 084B7299 | 084B7299 | 084B7299 |
| Mounting kit for EKA Display | 084B8584 | 084B8584 | 084B8584 | 084B8584 | 084B8584 | 084B8584 | 084B8584 | 084B8584 | 084B8584 |
| MODBUS Communication Module | 084B8571 | 084B8571 | 084B8571 | 084B8571 | 084B8571 | 084B8571 | 084B8571 | 084B8571 | 084B8571 |
| Lon-Bus Communication Module | 084B8579 | 084B8579 | 084B8579 | 084B8579 | 084B8579 | 084B8579 | 084B8579 | 084B8579 | 084B8579 |
| Programming Key | 084B8582 | 084B8582 | 084B8582 | 084B8582 | 084B8582 | 084B8582 | 084B8582 | 084B8582 | 084B8582 |
| Sheet Metal | | | | | | | | | |
| Top Panel | 118U5121 | 118U5121 | 118U5121 | 118U5121 | 118U5126 | 118U5126 | 118U5126 | 118U5126 | 118U5126 |
| Fan Panel | 118U5122 | 118U5122 | 118U5122 | 118U5122 | 118U5127 | 118U5127 | 118U5127 | 118U5127 | 118U5127 |
| Back Panel | 118U5123 | 118U5123 | 118U5123 | 118U5123 | 118U5128 | 118U5128 | 118U5128 | 118U5128 | 118U5128 |
| Front Panel | 118U5124 | 118U5124 | 118U5124 | 118U5124 | 118U5129 | 118U5129 | 118U5129 | 118U5129 | 118U5129 |
| Access Panel | 118U5125 | 118U5125 | 118U5125 | 118U5125 | 118U5130 | 118U5130 | 118U5130 | 118U5130 | 118U5130 |
| Left side Panel | 118U5163 | 118U5163 | 118U5163 | 118U5163 | 118U5164 | 118U5164 | 118U5164 | 118U5164 | 118U5164 |
| Fan Panel (LH) | | | | | | | | | |
| Fan Panel (RH) | | | | | | | | | |

MCA - Minimum Circuit Ampacity
MCC - Max Continuous Current
LRA - Locked Rotor Amps

| Designation | MPYM034AJ | MPYM018AJ | MPXM034ML | MPXM034ML | MPXM046ML | MPXM046ML | MPXM057ML | MPXM057ML | MPXM068ML |
|-------------------------------------|-----------|-----------|-------------|-------------|-------------|-------------|-------------|-------------|-------------|
| Code Number | 114X4227 | 114X4230 | 114X4261 | 114X4264 | 114X4281 | 114X4284 | 114X4290 | 114X4293 | 114X4308 |
| Compressor Description | TAJ4519Z | CAJ9510Z | MLZ015T5 | MLZ015T4 | MLZ021T5 | MLZ021T4 | MLZ026T5 | MLZ026T4 | MLZ030T5 |
| Oil | RL32HA/HT | RL32HA/HT | 215PZ-POE46 | 215PZ-POE46 | 215PZ-POE46 | 215PZ-POE46 | 215PZ-POE46 | 215PZ-POE46 | 215PZ-POE46 |
| Housing | H2 | H2 | H2 | H2 | H2 | H2 | H2 | H2 | H3 |
| Spare Parts | | | | | | | | | |
| Compressor single pack | 118U3989 | 118U3988 | 121L8631 | 121L8629 | 121L8635 | 121L8633 | 121L8639 | 121L8637 | 121L8643 |
| Condenser | 118U3493 | 118U3493 | 118U3493 | 118U3493 | 118U3493 | 118U3493 | 118U3493 | 118U3493 | 118U3494 |
| Discharge pressure sensor | 118U3722 | 118U3722 | 118U3722 | 118U3722 | 118U3722 | 118U3722 | 118U3722 | 118U3722 | 118U3722 |
| Fan assembly | | | | | | | | | 118U3829 |
| Fan blade | 118U3481 | 118U3481 | 118U3481 | 118U3481 | 118U3481 | 118U3481 | 118U3481 | 118U3481 | |
| Fan capacitor | 118U3297 | 118U3297 | 118U3297 | 118U3297 | 118U3297 | 118U3297 | 118U3297 | 118U3297 | |
| Fan cowl/grill | 118U3484 | 118U3484 | 118U3484 | 118U3484 | 118U3484 | 118U3484 | 118U3484 | 118U3484 | 118U3485 |
| Fan motor | 118U3823 | 118U3823 | 118U3823 | 118U3823 | 118U3823 | 118U3823 | 118U3823 | 118U3823 | |
| Filter drier | 023Z5040 | 023Z5041 | 023Z5041 | 023Z5041 | 023Z5041 | 023Z5041 | 023Z5041 | 023Z5041 | 023Z5045 |
| High-pressure switch | 118U3718 | 118U3718 | 118U3718 | 118U3718 | 118U3718 | 118U3718 | 118U3718 | 118U3718 | 118U3718 |
| Liquid valve | 009G7022 | 009G7022 | 009G7052 | 009G7052 | 009G7052 | 009G7052 | 009G7052 | 009G7052 | 009G7053 |
| Low-pressure switch | 118U3720 | 118U3720 | 118U3720 | 118U3720 | 118U3720 | 118U3720 | 118U3720 | 118U3720 | 118U3720 |
| Receiver | 118U3475 | 118U3475 | 118U3475 | 118U3475 | 118U3475 | 118U3475 | 118U3475 | 118U3475 | 118U3476 |
| Sight glass | 014L0172 | 014L0172 | 014L0173 | 014L0173 | 014L0173 | 014L0173 | 014L0173 | 014L0173 | 014L0174 |
| Suction pressure sensor | 118U3721 | 118U3721 | 118U3721 | 118U3721 | 118U3721 | 118U3721 | 118U3721 | 118U3721 | 118U3721 |
| Suction valve | 009G7021 | 009G7021 | 009G7054 | 009G7054 | 009G7054 | 009G7054 | 009G7054 | 009G7054 | 009G7055 |
| Electrical Spare Parts | | | | | | | | | |
| Crankcase heater | 192H2096 | 192H2096 | 120Z5040 | 120Z5040 | 120Z5040 | 120Z5040 | 120Z5040 | 120Z5040 | 120Z5040 |
| Optyma™ Plus Controller | 118U3465 | 118U3465 | 118U3465 | 118U3465 | 118U3465 | 118U3465 | 118U3465 | 118U3465 | 118U3465 |
| Discharge temperature sensor | 084N2007 | 084N2007 | 084N2007 | 084N2007 | 084N2007 | 084N2007 | 084N2007 | 084N2007 | 084N2007 |
| Suction and ambient temp sensor | 084N0003 | 084N0003 | 084N0003 | 084N0003 | 084N0003 | 084N0003 | 084N0003 | 084N0003 | 084N0003 |
| Contact kit | 118U3847 | 118U3845 | 118U3848 | 118U3845 | 118U3848 | 118U3846 | 118U3849 | 118U3846 | 118U3849 |
| Door handle | 118U3858 | 118U3858 | 118U3858 | 118U3858 | 118U3858 | 118U3858 | 118U3858 | 118U3858 | 118U3858 |
| Main switch kit | 118U3852 | 118U3851 | 118U3854 | 118U3851 | 118U3856 | 118U3852 | 118U3856 | 118U3852 | 118U3857 |
| Run capacitor | | | 8173231 | | 120Z0051 | | 120Z0051 | | 8173233 |
| Starting capacitor | | 118U5197 | 120Z0399 | | 120Z0399 | | 120Z0399 | | 120Z0040 |
| Starting relay | | | 120Z0393 | | 120Z0393 | | 120Z0393 | | 120Z0394 |
| Electrical Characteristics | | | | | | | | | |
| Wiring Diagram | WD2 | WD2 | WD4 | WD5 | WD4 | WD5 | WD4 | WD5 | WD4 |
| LRA Compressor [A] | 30 | 30 | 60 | 30 | 97 | 45 | 97 | 45 | 127 |
| MCC Compressor [A] | 7 | 8 | 19 | 7 | 25 | 9.5 | 26 | 10 | 32 |
| Max cont.power [kW] | 2.73 | 1.3 | 2.53 | 2.73 | 3.38 | 3.33 | 4.42 | 4.14 | 4.89 |
| MCC Fan [A] | 0.47 | 0.47 | 0.47 | 0.47 | 0.47 | 0.47 | 0.47 | 0.47 | 0.97 |
| Fan Power [W] | 1x68 | 1x68 | 1x68 | 1x68 | 1x68 | 1x68 | 1x68 | 1x68 | 1x130 |
| Min Fuse rating gL/gG (A) | 10 | 16 | 25 | 16 | 40 | 20 | 40 | 20 | 50 |
| Accessories (Not Premounted) | | | | | | | | | |
| Acoustic hood | | | 120Z5043 | 120Z5043 | 120Z5043 | 120Z5043 | 120Z5043 | 120Z5043 | 120Z5044 |
| Adap-Kool Accessories | | | | | | | | | |
| External Display & settings | 084B8575 | 084B8575 | 084B8575 | 084B8575 | 084B8575 | 084B8575 | 084B8575 | 084B8575 | 084B8575 |
| Cable for EKA Displays 6 m | 084B7299 | 084B7299 | 084B7299 | 084B7299 | 084B7299 | 084B7299 | 084B7299 | 084B7299 | 084B7299 |
| Mounting kit for EKA Display | 084B8584 | 084B8584 | 084B8584 | 084B8584 | 084B8584 | 084B8584 | 084B8584 | 084B8584 | 084B8584 |
| MODBUS Communication Module | 084B8571 | 084B8571 | 084B8571 | 084B8571 | 084B8571 | 084B8571 | 084B8571 | 084B8571 | 084B8571 |
| Lon-Bus Communication Module | 084B8579 | 084B8579 | 084B8579 | 084B8579 | 084B8579 | 084B8579 | 084B8579 | 084B8579 | 084B8579 |
| Programming Key | 084B8582 | 084B8582 | 084B8582 | 084B8582 | 084B8582 | 084B8582 | 084B8582 | 084B8582 | 084B8582 |
| Sheet Metal | | | | | | | | | |
| Top Panel | 118U5126 | 118U5126 | 118U5126 | 118U5126 | 118U5126 | 118U5126 | 118U5126 | 118U5126 | 118U5131 |
| Fan Panel | 118U5127 | 118U5127 | 118U5127 | 118U5127 | 118U5127 | 118U5127 | 118U5127 | 118U5127 | 118U5132 |
| Back Panel | 118U5128 | 118U5128 | 118U5128 | 118U5128 | 118U5128 | 118U5128 | 118U5128 | 118U5128 | 118U5133 |
| Front Panel | 118U5129 | 118U5129 | 118U5129 | 118U5129 | 118U5129 | 118U5129 | 118U5129 | 118U5129 | 118U5134 |
| Access Panel | 118U5130 | 118U5130 | 118U5130 | 118U5130 | 118U5130 | 118U5130 | 118U5130 | 118U5130 | 118U5135 |
| Left side Panel | 118U5164 | 118U5164 | 118U5164 | 118U5164 | 118U5164 | 118U5164 | 118U5164 | 118U5164 | 118U5165 |
| Fan Panel (LH) | | | | | | | | | |
| Fan Panel (RH) | | | | | | | | | |

MCA - Minimum Circuit Ampacity
MCC - Max Continuous Current
LRA - Locked Rotor Amps

| Designation | MPXM068ML | MPXM080ML | MPXM080ML | MPXM108ML | MPXM125ML | MPXM162ML |
|-------------------------------------|-------------|-------------|-------------|-------------|-------------|-------------|
| Code Number | 114X4311 | 114X4321 | 114X4324 | 114X4344 | 114X4414 | 114X4434 |
| Compressor Description | MLZ030T4 | MLZ038T5 | MLZ038T4 | MLZ048T4 | MLZ058T4 | MLZ076T4 |
| Oil | 215PZ-POE46 | 215PZ-POE46 | 215PZ-POE46 | 215PZ-POE46 | 215PZ-POE46 | 215PZ-POE46 |
| Housing | H3 | H3 | H3 | H3 | H4 | H4 |
| Spare Parts | | | | | | |
| Compressor single pack | 121L8641 | 121L8647 | 121L8645 | 121L8651 | 121L8653 | 121L8655 |
| Condenser | 118U3494 | 118U3494 | 118U3494 | 118U3494 | 118U3717 | 118U3717 |
| Discharge pressure sensor | 118U3722 | 118U3722 | 118U3722 | 118U3722 | 118U3722 | 118U3722 |
| Fan assembly | 118U3829 | 118U3829 | 118U3829 | 118U3829 | 118U3829 | 118U3829 |
| Fan blade | | | | | | |
| Fan capacitor | | | | | | |
| Fan cowl/grill | 118U3485 | 118U3485 | 118U3485 | 118U3485 | 118U3485 | 118U3485 |
| Fan motor | | | | | | |
| Filter drier | 023Z5045 | 023Z5045 | 023Z5045 | 023Z5045 | 023Z5046 | 023Z5046 |
| High-pressure switch | 118U3718 | 118U3718 | 118U3718 | 118U3718 | 118U3718 | 118U3718 |
| Liquid valve | 009G7053 | 009G7053 | 009G7053 | 009G7053 | 009G7054 | 009G7054 |
| Low-pressure switch | 118U3720 | 118U3720 | 118U3720 | 118U3720 | 118U3720 | 118U3720 |
| Receiver | 118U3476 | 118U3476 | 118U3476 | 118U3476 | 118U3716 | 118U3716 |
| Sight glass | 014L0174 | 014L0174 | 014L0174 | 014L0174 | 014L0175 | 014L0175 |
| Suction pressure sensor | 118U3721 | 118U3721 | 118U3721 | 118U3721 | 118U3721 | 118U3721 |
| Suction valve | 009G7055 | 009G7055 | 009G7055 | 009G7055 | 009G7056 | 009G7056 |
| Electrical Spare Parts | | | | | | |
| Crankcase heater | 120Z5040 | 120Z5040 | 120Z5040 | 120Z5040 | 120Z5040 | 120Z5040 |
| Optyma™ Plus Controller | 118U3465 | 118U3465 | 118U3465 | 118U3465 | 118U3465 | 118U3465 |
| Discharge temperature sensor | 084N2007 | 084N2007 | 084N2007 | 084N2007 | 084N2007 | 084N2007 |
| Suction and ambient temp sensor | 084N0003 | 084N0003 | 084N0003 | 084N0003 | 084N0003 | 084N0003 |
| Contact kit | 118U3847 | 118U3850 | 118U3847 | 118U3848 | 118U3847 | 118U3848 |
| Door handle | 118U3858 | 118U3858 | 118U3858 | 118U3858 | 118U3858 | 118U3858 |
| Main switch kit | 118U3852 | 118U3857 | 118U3852 | 118U3854 | 118U3855 | 118U3856 |
| Run capacitor | | 8173234 | | | | |
| Starting capacitor | | 8173001 | | | | |
| Starting relay | | 120Z0395 | | | | |
| Electrical Characteristics | | | | | | |
| Wiring Diagram | WD5 | WD4 | WD5 | WD5 | WD6 | WD6 |
| LRA Compressor [A] | 60 | 130 | 70 | 87 | 95 | 140 |
| MCC Compressor [A] | 13 | 38 | 15 | 16 | 20 | 25 |
| Max cont.power [kW] | 4.88 | 5.77 | 5.78 | 7.55 | 9.39 | 11.41 |
| MCC Fan [A] | 0.97 | 0.47 | 0.97 | 0.97 | 2x0.97 | 2x0.97 |
| Fan Power [W] | 1x130 | 1x130 | 1x130 | 1x130 | 1x130 | 1x130 |
| Min Fuse rating gL/gG (A) | 20 | 50 | 20 | 25 | 32 | 40 |
| Accessories (Not Premounted) | | | | | | |
| Acoustic hood | 120Z5044 | 120Z5044 | 120Z5044 | 120Z5044 | 120Z5045 | 120Z5045 |
| Adap-Kool Accessories | | | | | | |
| External Diplay & settings | 084B8575 | 084B8575 | 084B8575 | 084B8575 | 084B8575 | 084B8575 |
| Cable for EKA Displays 6 m | 084B7299 | 084B7299 | 084B7299 | 084B7299 | 084B7299 | 084B7299 |
| Mounting kit for EKA Display | 084B8584 | 084B8584 | 084B8584 | 084B8584 | 084B8584 | 084B8584 |
| MODBUS Communication Module | 084B8571 | 084B8571 | 084B8571 | 084B8571 | 084B8571 | 084B8571 |
| Lon-Bus Communication Module | 084B8579 | 084B8579 | 084B8579 | 084B8579 | 084B8579 | 084B8579 |
| Programming Key | 084B8582 | 084B8582 | 084B8582 | 084B8582 | 084B8582 | 084B8582 |
| Sheet Metal | | | | | | |
| Top Panel | 118U5131 | 118U5131 | 118U5131 | 118U5131 | 118U5136 | 118U5136 |
| Fan Panel | 118U5132 | 118U5132 | 118U5132 | 118U5132 | | |
| Back Panel | 118U5133 | 118U5133 | 118U5133 | 118U5133 | 118U5139 | 118U5139 |
| Front Panel | 118U5134 | 118U5134 | 118U5134 | 118U5134 | | |
| Access Panel | 118U5135 | 118U5135 | 118U5135 | 118U5135 | 118U5140 | 118U5140 |
| Left side Panel | 118U5165 | 118U5165 | 118U5165 | 118U5165 | 118U5166 | 118U5166 |
| Fan Panel (LH) | | | | | 118U5137 | 118U5137 |
| Fan Panel (RH) | | | | | 118U5138 | 118U5138 |

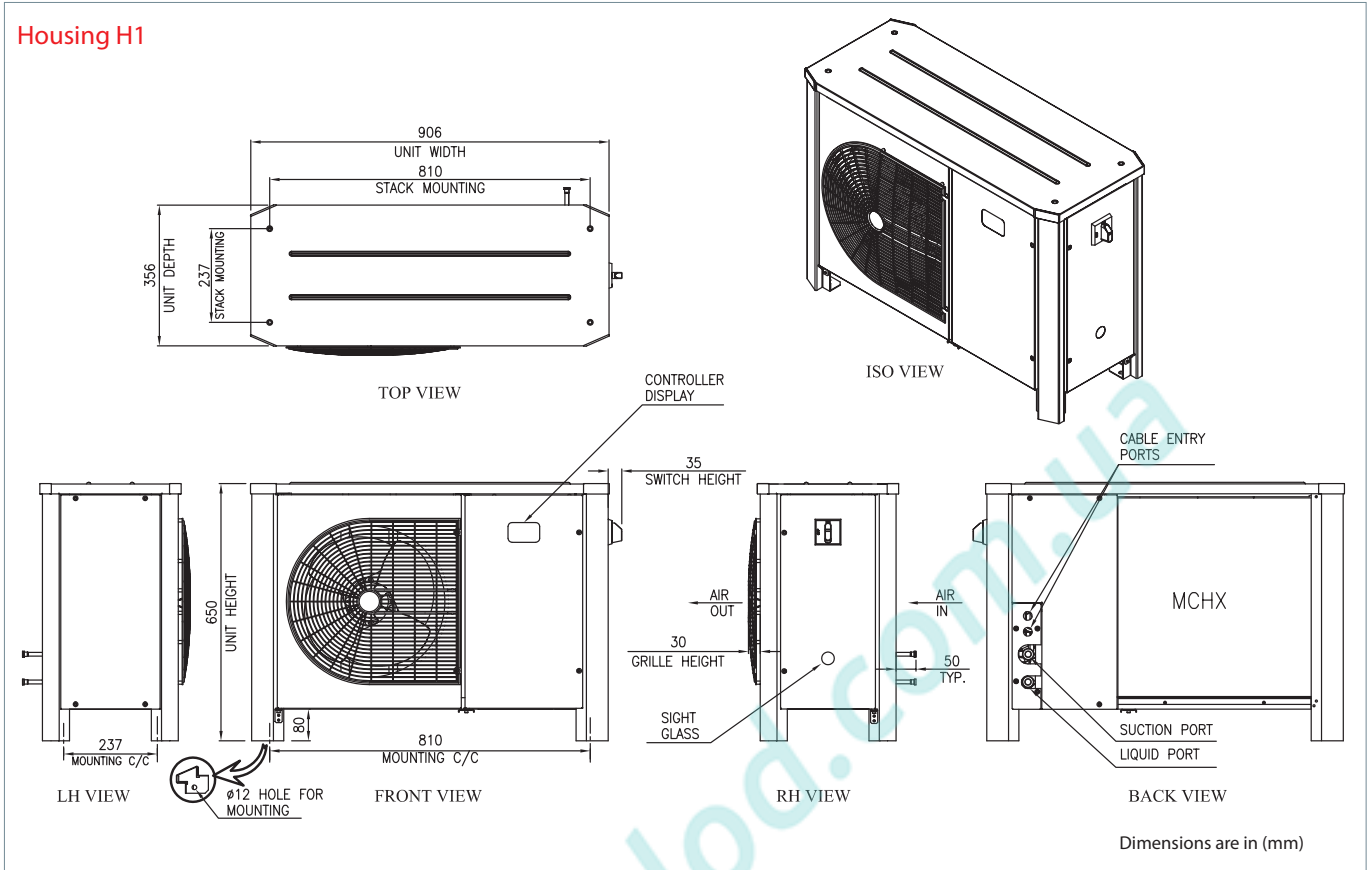
MCA - Minimum Circuit Ampacity
MCC - Max Continuous Current
LRA - Locked Rotor Amps

| Component type | Component code | Component description | Additional informations |
|----------------------------|----------------|---|---|
| Acoustic Hood | 120Z0575 | ACOUSTIC HOOD COMP 1CYL | |
| Acoustic Hood | 120Z5043 | ACCOUSTIC HOOD - SMALL FRAME | |
| Acoustic Hood | 120Z5044 | Acoustic hood for Scroll MLZ compressor | |
| Acoustic Hood | 120Z5045 | ACCOUSTIC HOOD, LARGE FRAME | |
| Acoustic Hood | 120Z5052 | Sound Cover, LLZ013-018 | |
| Cable for EKA Displays 6 m | 084B7299 | EKA Accessory | |
| Capacitor | 8173001 | CAPACITOR 100µF 330V+R | |
| Capacitor | 8173041 | CAPACITOR 30µF 450V | |
| Compressor Single Pack | 118U3751 | TAJ4519Z - AJ1 range | Phased out & replaced by 118U3989 from SN: 054428CG3916 |
| Compressor Single Pack | 118U3770 | TAJ4517Z - AJ1 range | Phased out & replaced by 118U3991 from SN: 054428CG3916 |
| Compressor Single Pack | 118U3779 | CAJ2446Z - AJ1 range | Phased out & replaced by 118U3992 from SN: 054428CG3916 |
| Compressor Single Pack | 118U3810 | CAJ4517Z - AJ1 range | Phased out & replaced by 118U3993 from SN: 054428CG3916 |
| Compressor Single Pack | 118U3811 | CAJ4519Z - AJ1 range | Phased out & replaced by 118U3994 from SN: 054428CG3916 |
| Compressor Single Pack | 118U3912 | CAJ9513Z - AJ1 range | Phased out & replaced by 118U3995 from SN: 054428CG3916 |
| Compressor Single Pack | 118U3914 | FH2511Z | |
| Compressor Single Pack | 118U3915 | TFH2511Z | |
| Compressor Single Pack | 118U3988 | CAJ9510Z - AJ2 range | |
| Compressor Single Pack | 118U3989 | TAJ4519Z - AJ2 range | |
| Compressor Single Pack | 118U3991 | TAJ4517Z - AJ2 range | |
| Compressor Single Pack | 118U3992 | CAJ2446Z - AJ2 range | |
| Compressor Single Pack | 118U3993 | CAJ4517Z - AJ2 range | |
| Compressor Single Pack | 118U3994 | CAJ4519Z - AJ2 range | |
| Compressor Single Pack | 118U3995 | CAJ9513Z - AJ2 range | |
| Compressor Single Pack | 118U3996 | CAJ4511Y - AJ2 range | |
| Compressor Single Pack | 120F0226 | NTZ048-4LR1B | |
| Compressor Single Pack | 120F0228 | NTZ048-5LR1B | |
| Compressor Single Pack | 120F0230 | NTZ068-4LR1B | |
| Compressor Single Pack | 120F0232 | NTZ068-5LR1B | |
| Compressor Single Pack | 120F0234 | NTZ096A4LR1B | |
| Compressor Single Pack | 120F0236 | NTZ136A4LR1B | |
| Compressor Single Pack | 121L8629 | MLZ015T4LP9A | |
| Compressor Single Pack | 121L8631 | MLZ015T5LP9A | |
| Compressor Single Pack | 121L8633 | MLZ021T4LP9A | |
| Compressor Single Pack | 121L8635 | MLZ021T5LP9A | |
| Compressor Single Pack | 121L8637 | MLZ026T4LP9A | |
| Compressor Single Pack | 121L8639 | MLZ026T5LP9A | |
| Compressor Single Pack | 121L8641 | MLZ030T4LC9A | |
| Compressor Single Pack | 121L8643 | MLZ030T5LC9A | |
| Compressor Single Pack | 121L8645 | MLZ038T4LC9A | |
| Compressor Single Pack | 121L8647 | MLZ038T5LC9A | |
| Compressor Single Pack | 121L8651 | MLZ048T4LC9A | |
| Compressor Single Pack | 121L8653 | MLZ058T4LC9A | |
| Compressor Single Pack | 121L8655 | MLZ076T4LC9A | |
| Compressor Single Pack | 121L9541 | LLZ024T4LQ9A | |
| Compressor Single Pack | 121L9543 | LLZ034T4LQ9A | |
| Compressor Single Pack | 123B2127 | MPT16LA | |
| Compressor Single Pack | 123B2510 | MLY80RAB | |
| Compressor Single Pack | 123B2514 | MLY90RAB | |
| Compressor Single Pack | 123B2518 | MPT12RA | |
| Compressor Single Pack | 123B2704 | MPT14RA | |
| Compressor Single Pack | 195B0323 | SC12MLX | CU phased out but spare part still available |
| Compressor Single Pack | 195B0332 | SC18CLX.2 | CU phased out but spare part still available |
| Compressor Single Pack | 195B0345 | SC10MLX | CU phased out but spare part still available |
| Compressor Single Pack | 195B0391 | SC15MLX | CU phased out but spare part still available |
| Compressor Single Pack | 195B0427 | GS26CLX | CU phased out but spare part still available |
| Compressor Single Pack | 195B0435 | GS34MFX | CU phased out but spare part still available |
| Compressor Single Pack | 195B0438 | GS34MLX | CU phased out but spare part still available |
| Compressor Single Pack | 195B0443 | NF7MLX | CU phased out but spare part still available |
| Compressor Single Pack | 195B0624 | SC18MLX | CU phased out but spare part still available |
| Condenser | 118U3492 | A7 | |
| Condenser | 118U3493 | D7 | |
| Condenser | 118U3494 | G7 | |
| Condenser | 118U3717 | J7 | |

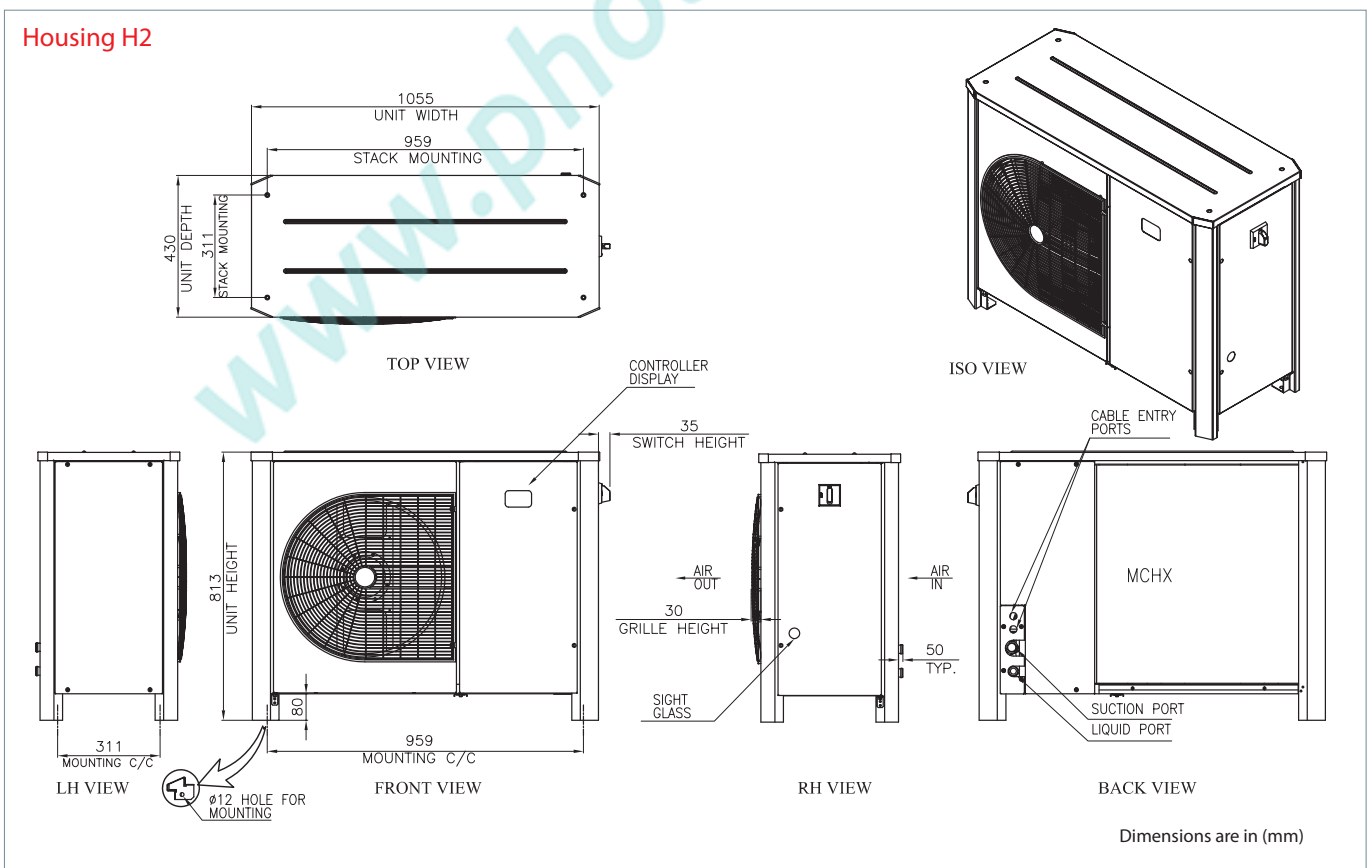
| Component type | Component code | Component description | Additional informations |
|------------------------------------|----------------|---|----------------------------------|
| Contactorkit | 118U3845 | A 9-30-01-80, DILM07-01, DILM09-01 | |
| Contactorkit | 118U3846 | A12-30-01-80, DILM12-01 | |
| Contactorkit | 118U3847 | A 16-30-01-80, DILM15-01 | |
| Contactorkit | 118U3848 | A 26-30-01-80, DILM17-01 | |
| Contactorkit | 118U3849 | A 30-30-01-80, DILM25-01 | |
| Contactorkit | 118U3850 | A 50-30-00-80, DILM32-01 | |
| Crankcase heater | 120Z0057 | Belt type, 50 W, 230 V, CE mark, UL | |
| Crankcase heater | 120Z0459 | PTC heater 27 W, CE mark, UL | |
| Crankcase heater | 120Z5040 | Belt type, 70 W, 240 V, CE mark, UL | |
| Crankcase heater | 118U0051 | CRANKCASE HEATER 55W | 192H2096 Phased out Use 118U0051 |
| Discharge pressure sensor | 118U3722 | AKS 32R 0...32 bar | |
| Discharge temperature sensor | 084N2007 | AKS21A | |
| Door handle | 118U3858 | Door handle, ABB-OHB2AJM,MSMN,OXSSX131 | |
| External Display & settings | 084B8575 | EKA164B | |
| Fan assembly | 118U3829 | Fan assembly | |
| Fan blade | 118U3480 | Fan blade | |
| Fan blade | 118U3481 | Fan blade | |
| Fan capacitor | 118U3296 | 1,8 µF | |
| Fan capacitor | 118U3297 | 3,5 µF | |
| Fan cowl/grill | 118U3483 | Å, 356 mm | |
| Fan cowl/grill | 118U3484 | Å, 457 mm | |
| Fan cowl/grill | 118U3485 | Å, 609 mm | |
| Fan motor (Capacitor not included) | 118U3477 | 25 W | |
| Fan motor (Capacitor not included) | 118U3823 | 68 W | |
| Filter drier | 023Z5039 | DML082 | |
| Filter drier | 023Z5040 | DML083 | |
| Filter drier | 023Z5041 | DML084 | |
| Filter drier | 023Z5044 | DML164 | |
| Filter drier | 023Z5045 | DML165 | |
| Filter drier | 023Z5046 | DML 166 | |
| High-pressure switch | 118U3718 | ACB-2UB463W | |
| Liquid valve | 009G7050 | GBC 6s Ball Valve M/25 | |
| Liquid valve | 009G7051 | GBC 10s | |
| Liquid valve | 009G7052 | GBC 12s Ball Valve M/25 | |
| Liquid valve | 009G7053 | Liquid line valve | |
| Liquid valve | 009G7054 | Suction line valve | |
| Lon-Bus COM Module | 084B8579 | EKA175 | |
| Low-pressure switch | 118U3720 | ACB-2UA418W | |
| Main switch kit | 118U3855 | MS132 - 25 | |
| Main switch kit | 118U3856 | MS132 - 32 | |
| Main switch kit | 118U3857 | MS450 - 40 | |
| MODBUS COM Module | 084B8571 | EKA178B | |
| Mounting kit for EKA Display | 084B8584 | EKA Accessory | |
| MPCB | 118U3851 | MPCB, ABB-MS116-10+HK1-12 | |
| MPCB | 118U3852 | MPCB, ABB-MS116-16+HK1-12 | |
| MPCB | 118U3853 | MPCB, ABB-MS116-6.3+HK1-12 | |
| MPCB | 118U3854 | MPCB, ABB-MS132-20+HK1-12 | |
| Oil | - | POE32 for Light Commercial (MLY / MPT) | |
| Oil | - | RL32HA/HT for light Commercial (CAJ/FH/TAJ/TFH) | |
| Oil | 120Z0638 | 1 litre can of 175PZ - POE (NTZ Platform) | CU with a SN above 051220CG3016 |
| Oil | 120Z0639 | 2,5 litre can of 175PZ - POE (NTZ Platform) | CU with a SN above 051220CG3016 |
| Oil | 120Z0648 | 1 litre can of 215PZ - POE46 (MLZ & LLZ Platform) | CU with a SN above 051220CG3016 |
| Optyma Plus Controller | 118U3465 | OPTYMA PLUS CONTROLLER-084B8080 | |
| Programming Key | 084B8582 | AKA183A | |
| Receiver | 118U3474 | 1,3 L | |
| Receiver | 118U3475 | 3,4 L | |
| Receiver | 118U3476 | 6,2 L | |
| Receiver | 118U3716 | 10 L | |
| Run capacitor | 7701035 | PSC starting kit, 30 µF, 15 µF | |
| Run capacitor | 8173231 | Run capacitor 440V, 40 µF | |
| Run capacitor | 8173233 | Run capacitor 440V, 50 µF | |
| Run capacitor | 8173234 | Run capacitor 440V, 55 µF | |
| Run capacitor | 120Z0051 | Run capacitor 70 µF | |

| Component type | Component code | Component description | Additional informations |
|-------------------------|----------------|---|-------------------------|
| Sight glass | 014L0172 | SGP 10 N | |
| Sight glass | 014L0173 | SGP 12 N | |
| Sight glass | 014L0174 | SGP 16 N | |
| Sight glass | 014L0175 | SGP 19 N | |
| Sight glass | 014L0181 | SGP 6s N | |
| Sight glass | 014L0182 | SGP 10s N | |
| Starting capacitor | 117U5012 | Start capacitor 125 µF, 220V - SC | |
| Starting capacitor | 117U5017 | Start capacitor 80 µF, 220V - SC | |
| Starting capacitor | 117U5018 | Start capacitor 125 µF, 220V - NF,NL | |
| Starting capacitor | 120Z0040 | Start capacitor 161-193 µF | |
| Starting capacitor | 120Z0399 | Start capacitor 145-175 µF | |
| Starting relay | 8173022 | Starting relay type RVA-6AMKL/3ARR3J4A4 | |
| Starting relay | 117U4139 | RELAY ASSY. HST - "MRP56EN-6; 117U2121 | |
| Starting relay | 117U6011 | Starting Relay SC | |
| Starting relay | 117U6013 | Starting Relay | |
| Starting relay | 120Z0393 | Starting relay type RVA9CKL/3ARR3J4A4 | |
| Starting relay | 120Z0394 | Starting relay type RVA3EKL/3ARR3J24P4 | |
| Starting relay | 120Z0395 | Starting relay type RVA4GKL/3ARR3J25S4 | |
| Relay | 117-7027 | SC-RELAY | |
| Suc & Amb temp sensor | 084N0003 | AKS11 | |
| Suction pressure sensor | 118U3721 | AKS 32R -1...12 bar | |
| Suction valve | 009G7055 | GBC 22s Ball Valve M/25 | |
| Suction valve | 009G7056 | GBC 28s Ball Valve M/5 | |
| Starting KIT | 118U5191 | CAJ2446Z _ F1 KIT Capacitor and relay | |
| Starting KIT | 118U5192 | CAJ2464Z _ F1 KIT Capacitor and relay | |
| Starting KIT | 118U5193 | CAJ4492Y _ F1 KIT Capacitor and relay | |
| Starting KIT | 118U5194 | CAJ4511Y _ F1KIT Capacitor and relay | |
| Starting KIT | 118U5195 | CAJ4517Z _ F1 KIT Capacitor and relay | |
| Starting KIT | 118U5196 | CAJ4519Z _ F1 KIT Capacitor and relay | |
| Starting KIT | 118U5197 | CAJ9510Z _ F1 KIT Capacitor and relay | |
| Starting KIT | 118U5198 | CAJ9513Z _ F1KIT Capacitor and relay | |
| Starting KIT | 118U5199 | FH2511Z _ F1KIT Capacitor and relay | |
| Start capacitor | 123B9316 | STARTING CAPACITOR+CC 72-88µF/330V R216 | |
| Run C capacitor | 123B9219 | RUN CAPACITOR 16µF/420V, REF. 321 | |
| Relay | 123B9151 | RELAY + CON. BOARD 1158-8 BDG 158S+ NTC | |
| Start capacitor | 123B9315 | STARTING CAPACITOR+CC 64-77µF/330V R205 | |
| Run C capacitor | 123B9222 | RUN CAPACITOR 10µF/420V, REF. 326 | |
| Relay | 123B9133 | RELAY + CON. BOARD 1149-8 BDG 149S+ NTC | |
| Start capacitor | 117U5373 | START CAPACITOR 80 mfd | |
| Relay | 123B9139 | RELAY + CON. BOARD 1166-8 BDG 166S+ NTC | |
| Run C capacitor | 123B9226 | RUN CAPACITOR 25µF/420V, REF. 310 MET. | |
| Top Panel H1 | 118U5121 | SPARE PART, SHEET METAL TOP H1 | |
| Fan panel H1 | 118U5122 | SPARE PART, SHEET METAL FAN H1 | |
| Back Panel H1 | 118U5123 | SPARE PART, SHEET METAL BACK H1 | |
| Front Panel H1 | 118U5124 | SPARE PART, SHEET METAL FRONT H1 | |
| Access Panel H1 | 118U5125 | SPARE PART, SHEET METAL ACCESS H1 | |
| Left Side Panel H1 | 118U5163 | SPARE PART, SHEET METAL LEFT SIDE H1 | |
| Top Panel H2 | 118U5126 | SPARE PART, SHEET METAL TOP H2 | |
| Fan panel H2 | 118U5127 | SPARE PART, SHEET METAL FAN H2 | |
| Back Panel H2 | 118U5128 | SPARE PART, SHEET METAL BACK H2 | |
| Front Panel H2 | 118U5129 | SPARE PART, SHEET METAL FRONT H2 | |
| Access Panel H2 | 118U5130 | SPARE PART, SHEET METAL ACCESS H2 | |
| Left Side Panel H2 | 118U5164 | SPARE PART, SHEET METAL LEFT SIDE H2 | |
| Top Panel H3 | 118U5131 | SPARE PART, SHEET METAL TOP H3 | |
| Fan panel H3 | 118U5132 | SPARE PART, SHEET METAL FAN H3 | |
| Back Panel H3 | 118U5133 | SPARE PART, SHEET METAL BACK H3 | |
| Front Panel H3 | 118U5134 | SPARE PART, SHEET METAL FRONT H3 | |
| Access Panel H3 | 118U5135 | SPARE PART, SHEET METAL ACCESS H3 | |
| Left Side Panel H3 | 118U5165 | SPARE PART, SHEET METAL LEFT SIDE H3 | |
| Top Panel H4 | 118U5136 | SPARE PART, SHEET METAL TOP H4 | |
| Fan LH panel H4 | 118U5137 | SPARE PART, SHEET METAL FAN LH H4 | |
| Fan RH panel H4 | 118U5138 | SPARE PART, SHEET METAL FAN RH H4 | |
| Back Panel H4 | 118U5139 | SPARE PART, SHEET METAL BACK H4 | |
| Access Panel H4 | 118U5140 | SPARE PART, SHEET METAL ACCESS H4 | |
| Left Side Panel H4 | 118U5166 | SPARE PART, SHEET METAL LEFT SIDE H4 | |

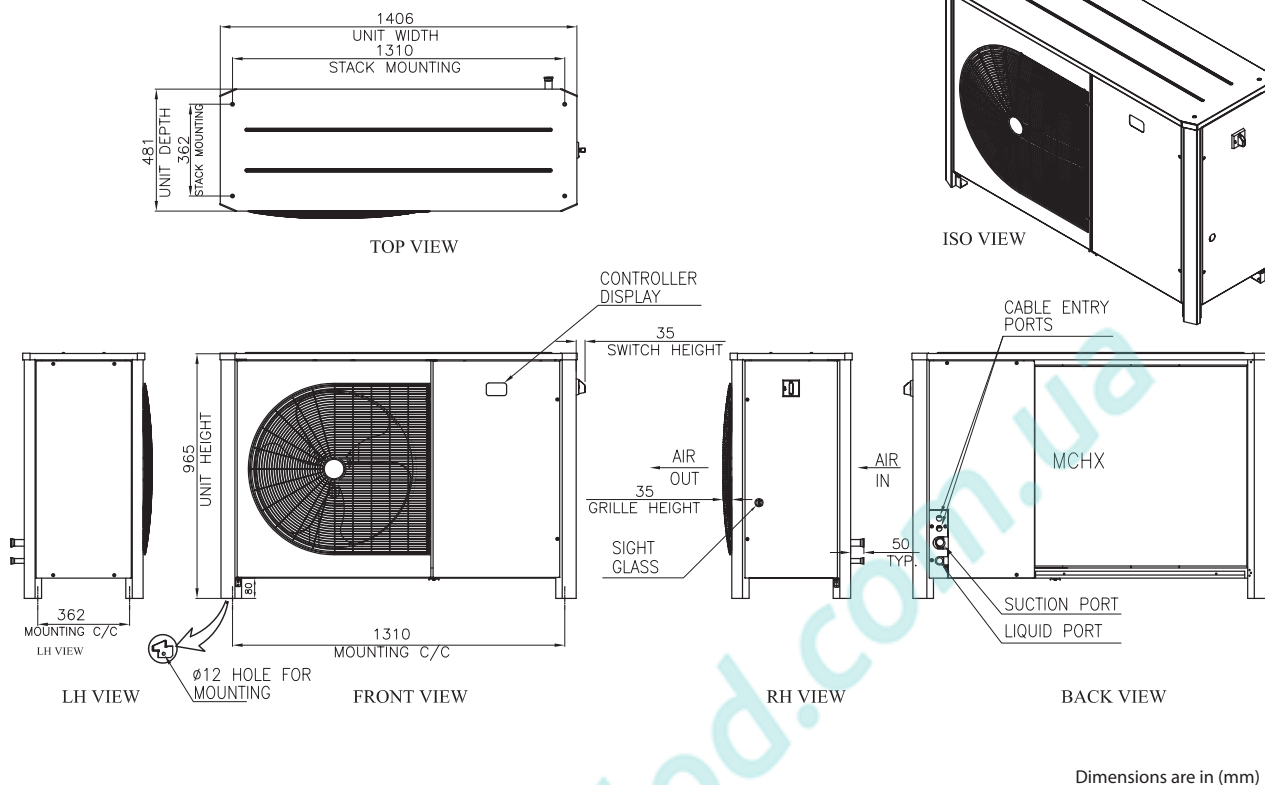
Housing H1



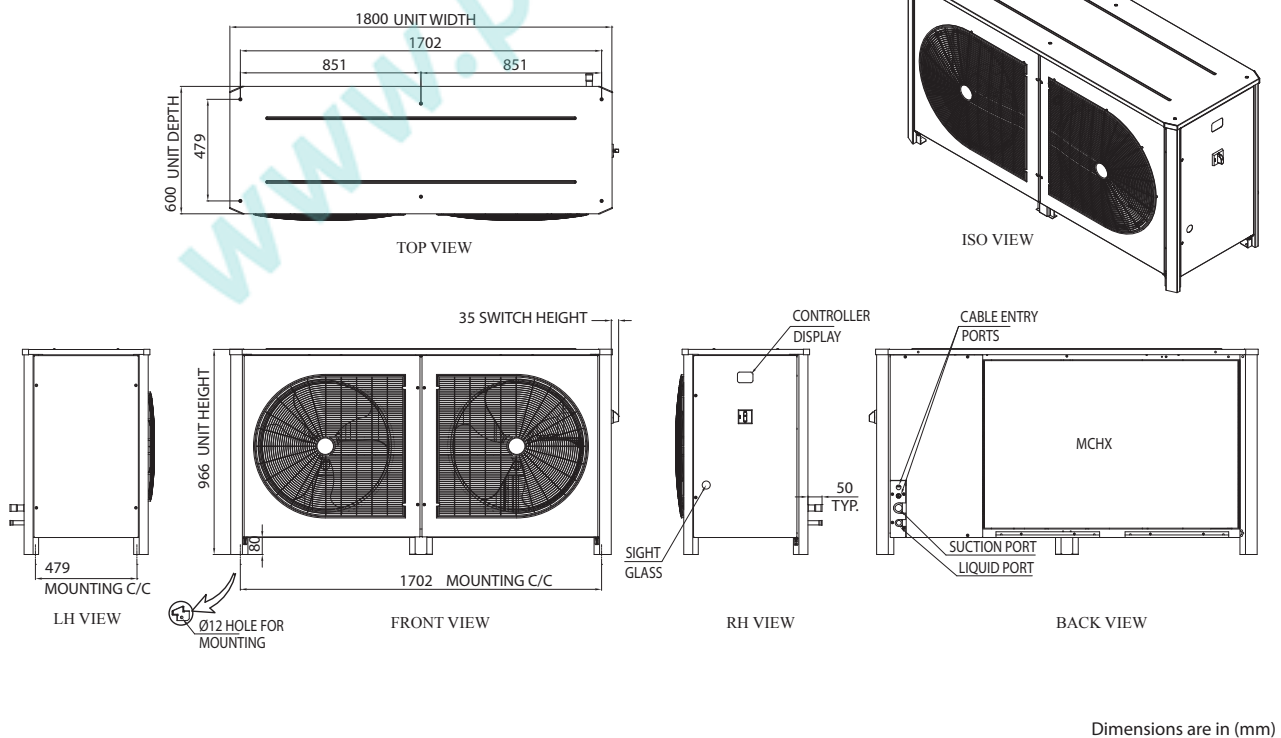
Housing H2

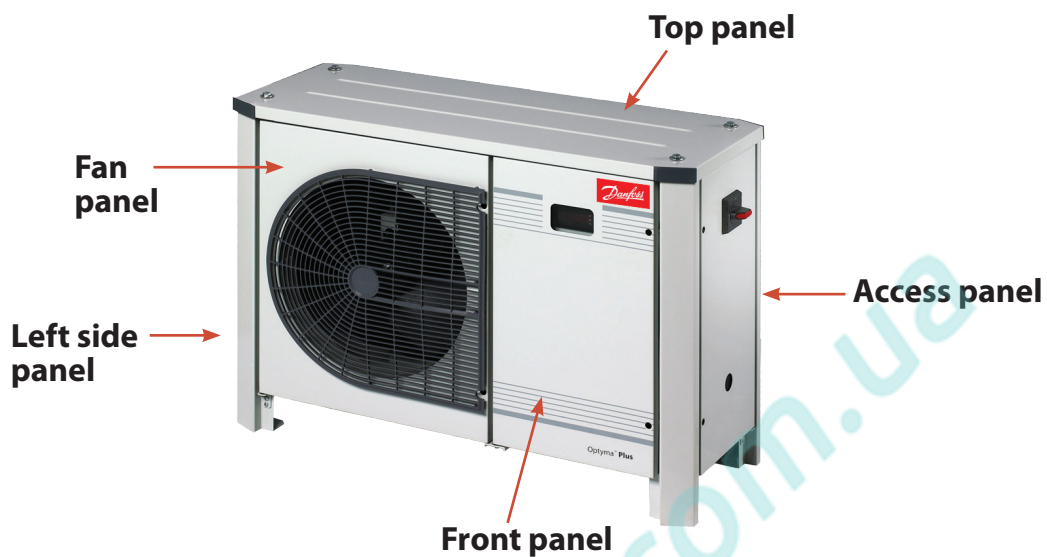


Housing H3

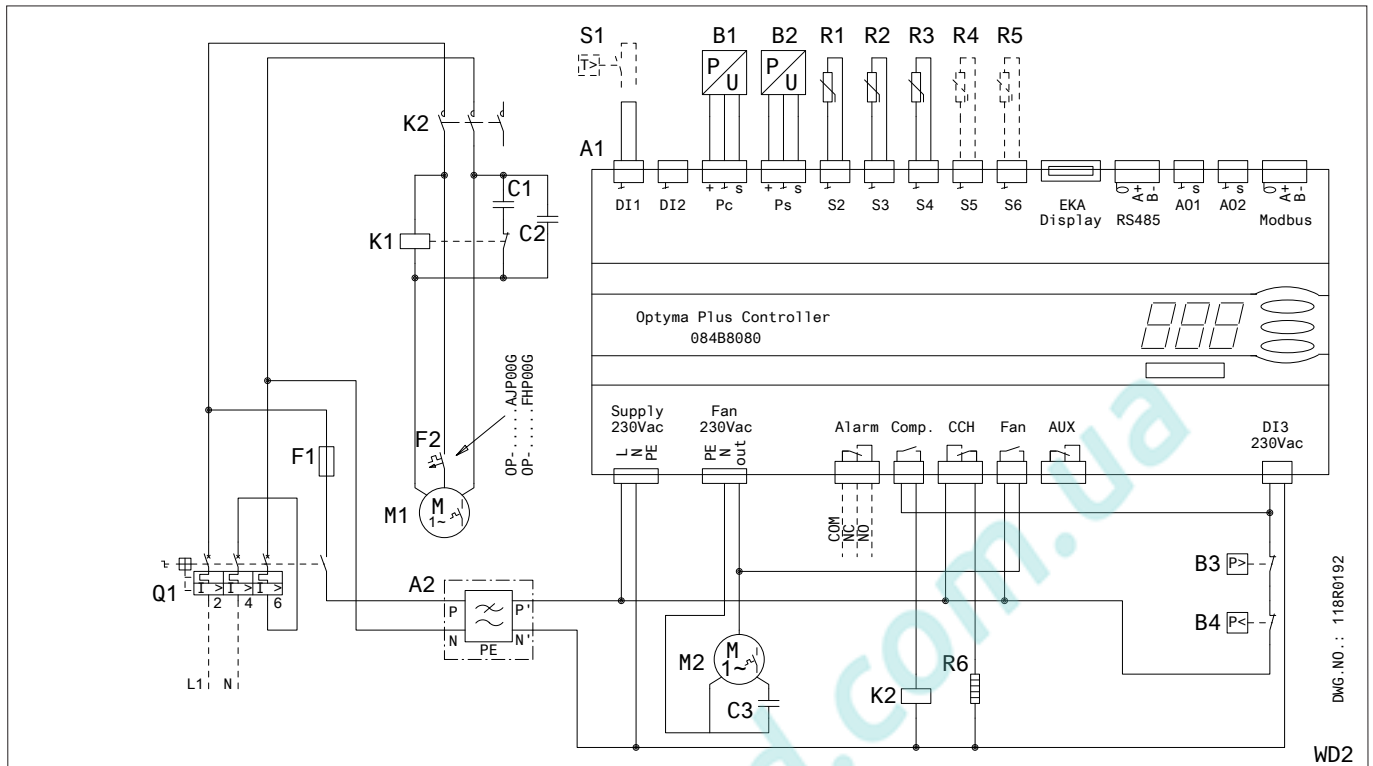


Housing H4

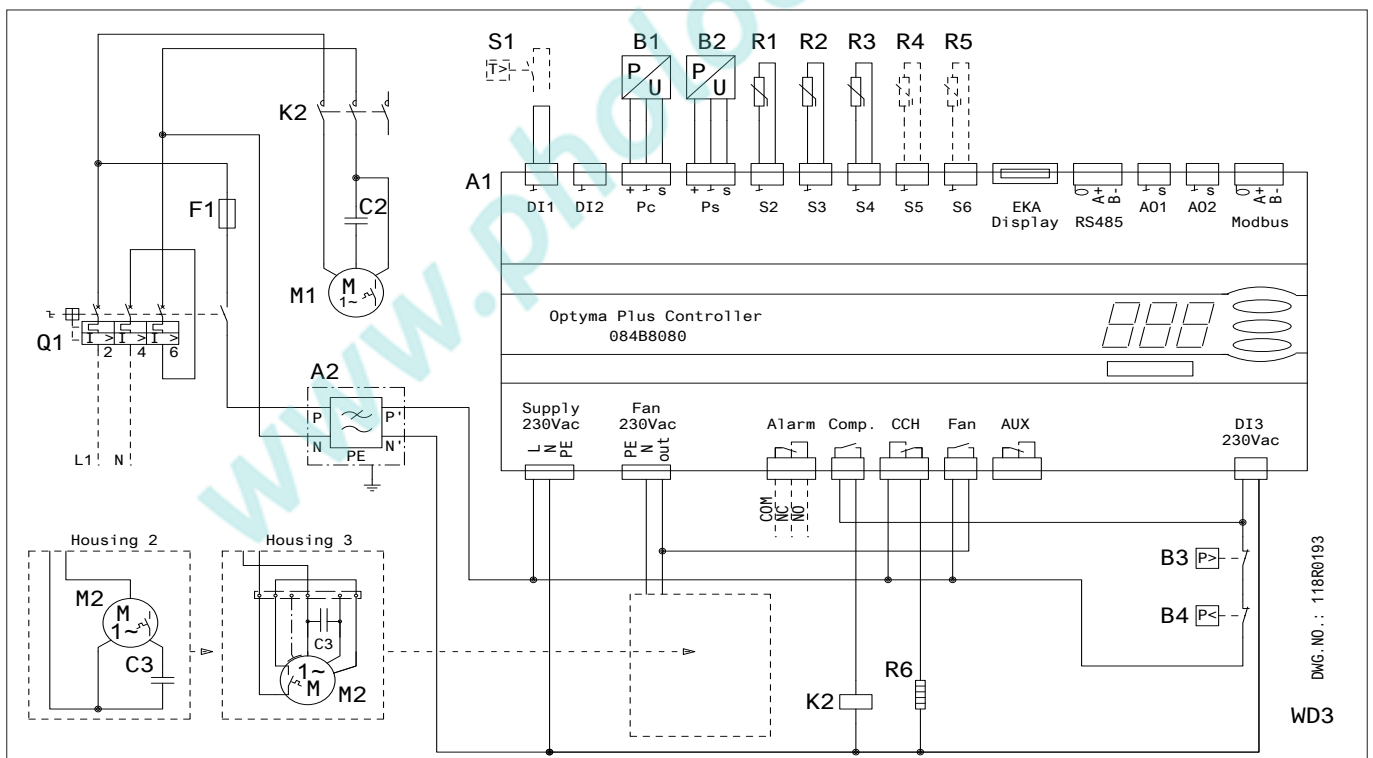




Code G : OP-LPQM026-048-068-074, OP-MPGM033-34, OP-MPYM018-024-026-034



Code G : OP-MPX034-046-057-068-080



A1 : Optyma™ Plus Controller

A2 : EMI Filter

B1 : Condensing Pressure Transducer

Suction Pressure Transducer

B3 : High Pressure Switch

B4 : Low Pressure Switch

C1 : Start Capacitor (Compressor)

C2 : Run Capacitor (Compressor)

C3 : Run Capacitor (Fan)

F1 : Fuse (Control Circuit)

F2 : Motor Protector

K1 : Start Relay

K2 : Contactor

M1 : Compressor

M2 : Fan Motor

Q1 : Main Switch

R1 : Ambient Temp. Sensor

R2 : Discharge Temp. Sensor

R3 : Suction Temp. Sensor

R4,R5 : Auxiliary Temp. Sensor (optional)

R6 : Crankcase Heater

S1 : Room Thermostat (optional)

Supply : Supply

Fan : Fan

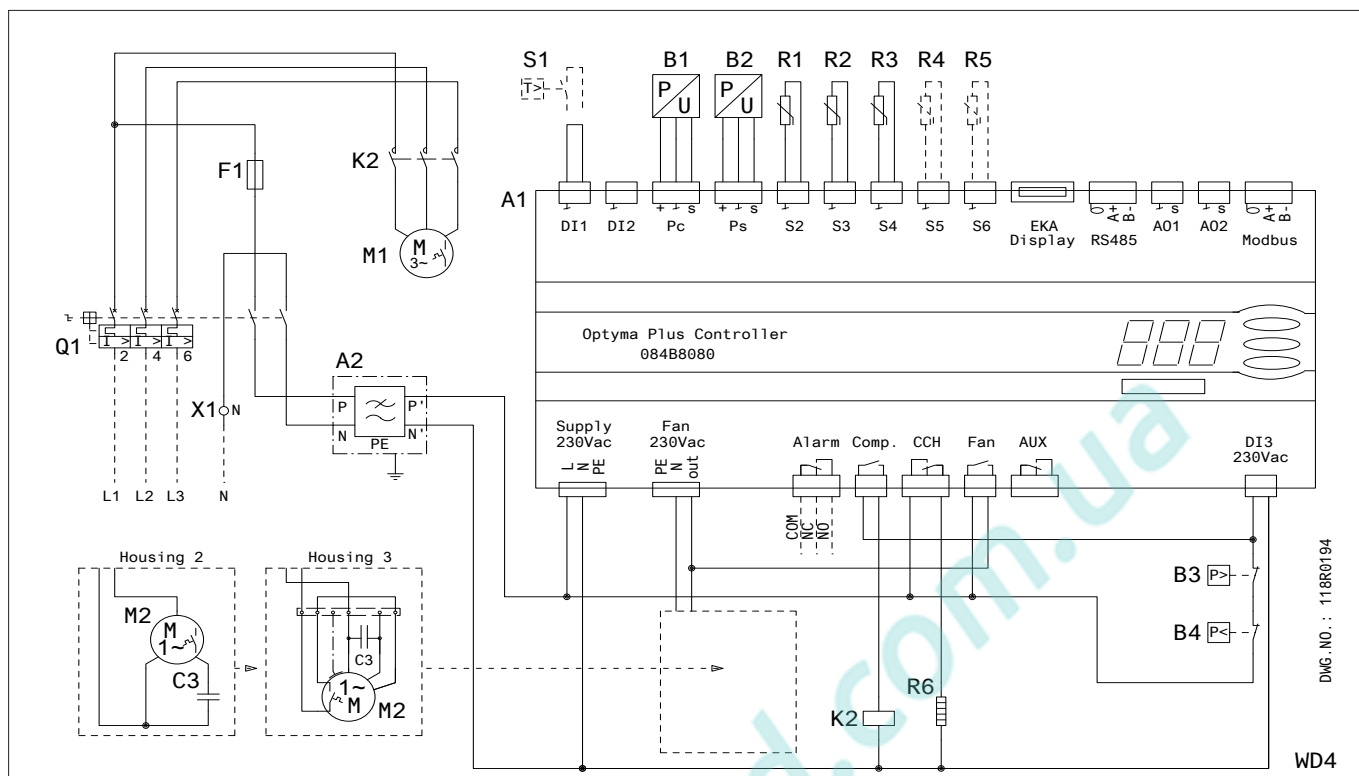
Alarm : Alarm

Comp. : Compressor

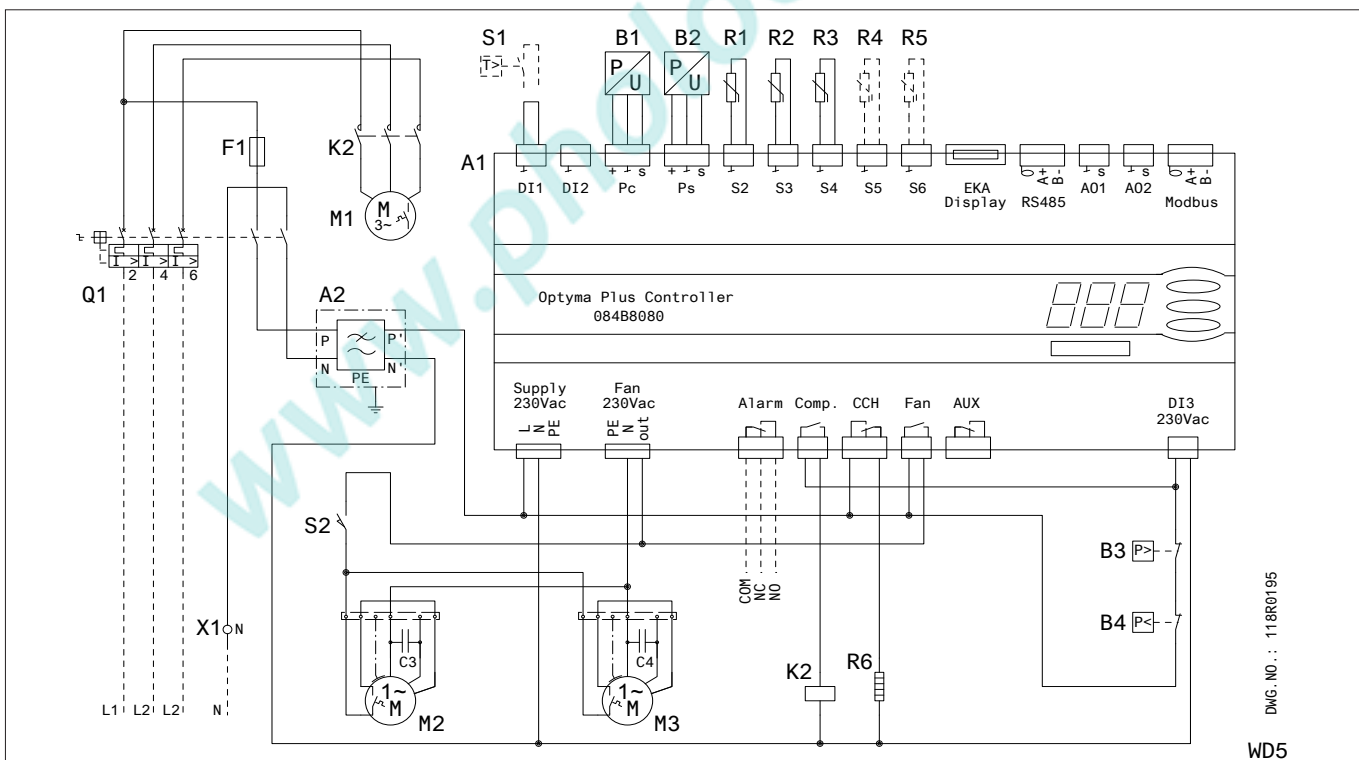
CCH : Crankcase Heater

Aux : Auxiliary

Code E : OP-LPQM048-068-074-096-136 & OP-MPXM034-046-057-068-080-108



Code E : OP-LPQM215-271 & OP-MPXM125-162



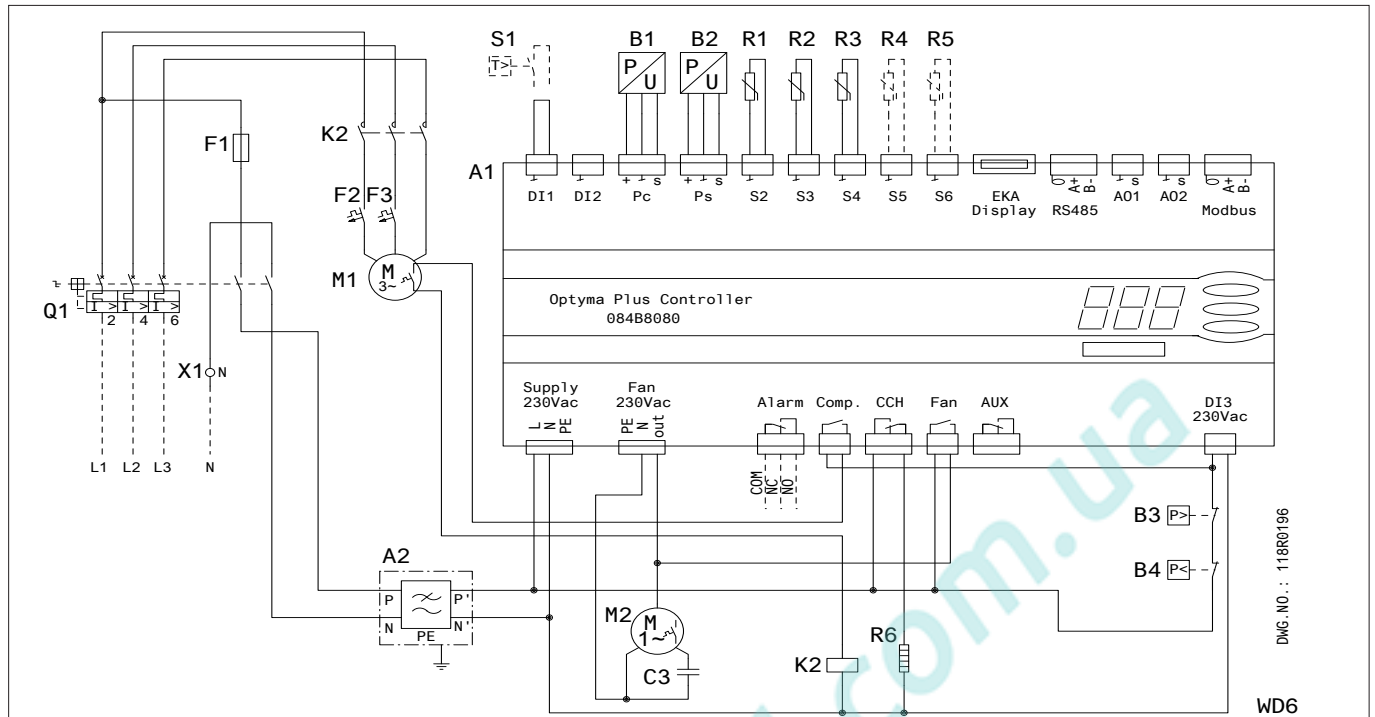
- A1 : Optyma™ Plus Controller
- A2 : EMI Filter
- B1 : Condensing Pressure Transducer
- B2 : Suction Pressure Transducer
- B3 : High Pressure Switch
- B4 : Low Pressure Switch
- C3 : Run Capacitor (Fan 1)
- C4 : Run Capacitor (Fan 2)

- F1 : Fuse (Control Circuit)
- K2 : Contactor
- M1 : Compressor
- M2 : Fan Motor 1
- M3 : Fan Motor 2
- Q1 : Main Switch
- R1 : Ambient Temp. Sensor
- R2 : Discharge Temp. Sensor

- R3 : Suction Temp. Sensor
- R4,R5 : Auxiliary Temp. Sensor (optional)
- R6 : Crankcase Heater
- S1 : Room Thermostat (optional)
- S2 : Door Limit Switch
- X1 : Terminal

- Supply : Supply
- Fan : Fan
- Alarm : Alarm
- Comp. : Compressor
- CCH : Crankcase Heater
- Aux : Auxiliary

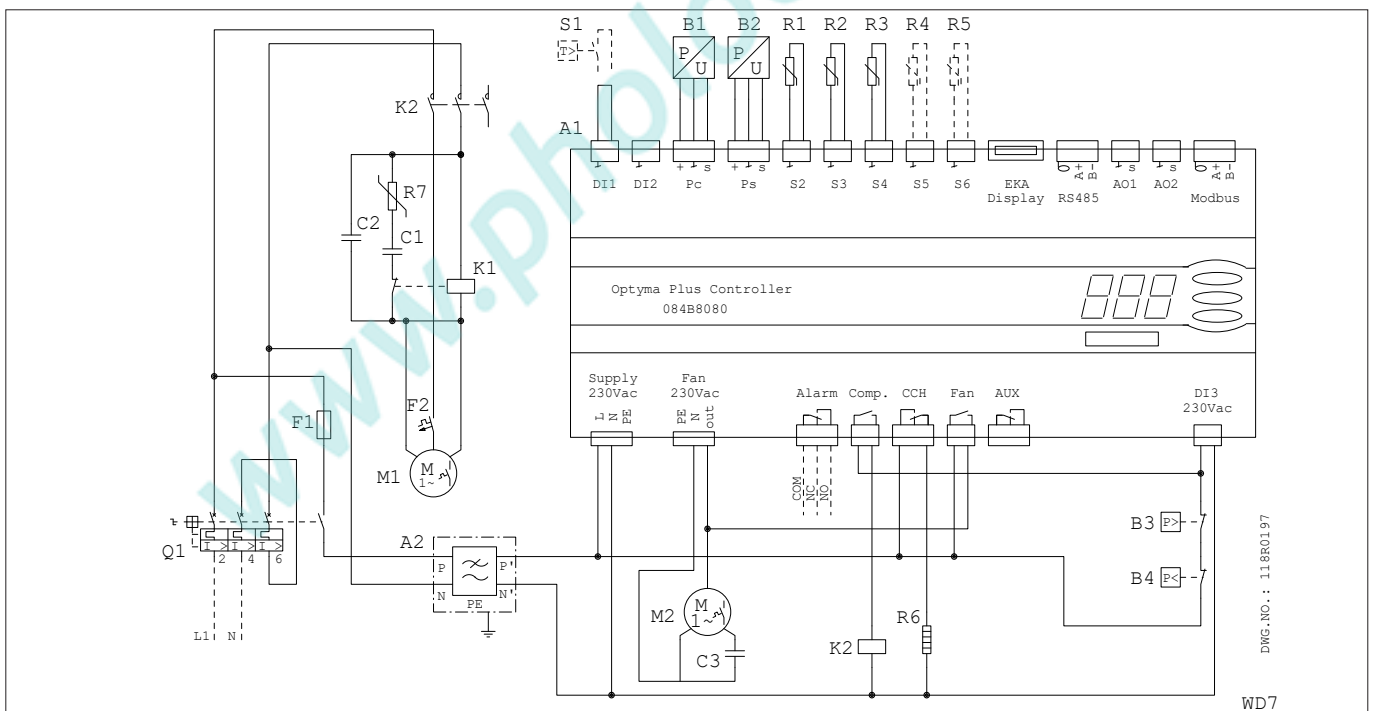
Code E : OP-MPYM026-034



DWG. NO. : 118R0196

WD6

Code G : OP-LPQM017 & OP-MPYM008-009-012-014



DWG. NO. : 118R0197

WD7

- A1 : Optyma™ Plus Controller
- A2 : EMI Filter
- B1 : Condensing Pressure Transducer
- B2 : Suction Pressure Transducer
- B3 : High Pressure Switch
- B4 : Low Pressure Switch
- C1 : Start Capacitor (Compressor)
- C2 : Run Capacitor (Compressor)
- C3 : Run Capacitor (Fan)

- F1 : Fuse (Control Circuit)
- F2,F3 : Motor protector
- K1 : Start Relay
- K2 : Contactor
- M1 : Compressor
- M2 : Fan Motor
- Q1 : Main Switch
- R1 : Ambient Temp. Sensor
- R2 : Discharge Temp. Sensor

- R3 : Suction Temp. Sensor
- R4,R5 : Auxiliary Temp. Sensor (optional)
- R6 : Cranks case Heater
- R7 : NTC Resistor
- S1 : Room Thermostat (optional)
- X1 : Terminal

- Supply : Supply
- Fan : Fan
- Alarm : Alarm
- Comp. : Compressor
- CCH : Cranks case Heater
- Aux : Auxiliary

Optyma™ Plus INVERTER

Capacity modulation in a simple and adaptive package

Combines our market-leading expertise in condensing unit design with the unique benefits of stepless inverter scroll technology. The result is energy consumption reduced by up to 30% with better food preservation.

Best SEPR with stepless modulation reduces energy consumption by up to

30%



Quick and safe installation and service

Preset parameters and Modbus communication makes start-up and maintenance of the condensing unit effortlessly quick and easy.



High SEPR*: 3.84 – certified by ASERCOM

All models in the range are highly efficient and well above EcoDesign 2018 thresholds, contributing to a reduction in energy costs. *SEPR: Seasonal Energy Performance Ratio.



Accurate temperature control

Accurate temperature control and low in-rush current result in a more stable storage temperature and longer product shelf life.



Extended capacity

Stepless compressor modulation - able to slow down and speed up from 30 to 100 RPS to save energy and match load fluctuations very accurately. The inverter drive incorporates smart logic to increase reliability during operation.



Designed for ultimate efficiency

Stepless capacity modulation

From 30 to 100 rps modulation leads to 20-30% higher energy efficiency compared to fixed-speed condensing units.

Simple commissioning

Preset drive parameters with dedicated refrigeration software.

Future-proof

Working with lower GWP refrigerants such as R448A and R449. Also compatible with R407A/F and R404A.



Danfoss compressor and drive package

Dedicated to refrigeration with years of market application and validation.

Simple plug-and-play installation

Safe, simple and hassle-free installation with tried-and-tested components.

Full intelligent control through the Optyma™ Plus Controller

Control, alarm management, day & night operation, can connect to ADAP-KOOL® software, etc.

High SEPR/COP cuts energy costs

E.g. in a cold room where meat is stored and with 9 kW of cooling capacity.

Optyma™ Plus INVERTER MBP unit vs mechanically modulated technology*

Cooling cap.: 9 kW
Refrigerant: R407F



| UNIT | Danfoss | Market |
|-------|--------------|--------------|
| SEPR | 3.84 | 2.50 |
| USAGE | ~ 14 000 kWh | ~ 21 600 kWh |

Annual energy consumption saved: 7 600 kWh

Savings based on cost of energy:

FRANCE: 0.11€ / 1 KWH = 7 600 x 0.11 = 836€

UK: 0.15€ / 1 KWH = 7 600 x 0.15 = 1 140 €

GERMANY: 0.20€ / 1 KWH = 7 600 x 0.20 = 1 520€

1 520€

annual electricity savings made by your customer in Germany

* Source: Danfoss

| Model | Code | Version | Compressor | Electrical code (1) | Compressor speed, rps | Tamb [°C] | Cooling capacity Q [kW] (2) | | | | | EcoDesign (3) | | | | Sound power level dB(A) | Sound pressure level 10 m dB(A) |
|---------------|----------|---------|------------|---------------------|-----------------------|-----------|-----------------------------|--------|--------|--------|--------|---------------|--------|------|------|-------------------------|---------------------------------|
| | | | | | | | Te [°C] | | | | | Q [kW] | P [kW] | COP | SEPR | | |
| | | | | | | | -15 °C | -10 °C | -5 °C | 0 °C | 5 °C | | | | | | |
| OP-MPPM028VVL | 114X4302 | P01 | VLZ028TGA | E | 30 | 27 | 1.465 | 1.839 | 2.276 | 2.783 | 3.365 | | | | | 71 | 40 |
| | | | | | | 32 | 1.375 | 1.732 | 2.149 | 2.633 | 3.190 | | | | | | |
| | | | | | | 38 | - | - | - | - | - | | | | | | |
| | | | | | | 43 | - | - | - | - | - | | | | | | |
| | | | | | 50 | 27 | 2.494 | 3.107 | 3.816 | 4.629 | 5.553 | | | | | 72 | 41 |
| | | | | | | 32 | 2.346 | 2.930 | 3.605 | 4.379 | 5.259 | | | | | | |
| | | | | | | 38 | - | 2.706 | 3.338 | 4.064 | 4.891 | | | | | | |
| | | | | | | 43 | - | 2.510 | 3.106 | 3.790 | 4.571 | | | | | | |
| | | | | | 75 | 27 | 3.656 | 4.527 | 5.536 | 6.695 | 8.013 | | | | | 73 | 42 |
| | | | | | | 32 | 3.443 | 4.270 | 5.226 | 6.324 | 7.573 | | | | | | |
| | | | | | | 38 | - | 3.949 | 4.842 | 5.866 | 7.032 | | | | | | |
| | | | | | | 43 | - | 3.670 | 4.509 | 5.472 | 6.569 | | | | | | |
| | | | | | 100 | 27 | 4.686 | 5.774 | 7.041 | 8.502 | 10.171 | | | | | 74 | 43 |
| | | | | | | 32 | 4.421 | 5.451 | 6.648 | 8.028 | 9.605 | 5.548 | 3.058 | 1.81 | 3.38 | | |
| | | | | | | 38 | - | 5.056 | 6.170 | 7.454 | 8.922 | | | | | | |
| | | | | | | 43 | - | 4.713 | 5.761 | 6.967 | 8.346 | | | | | | |
| OP-MPPM035VVL | 114X4316 | P01 | VLZ035TGA | E | 30 | 27 | 1.836 | 2.301 | 2.845 | 3.476 | 4.201 | | | | 73 | 42 | |
| | | | | | | 32 | 1.722 | 2.166 | 2.684 | 3.284 | 3.974 | | | | | | |
| | | | | | | 38 | - | - | - | - | - | | | | | | |
| | | | | | | 43 | - | - | - | - | - | | | | | | |
| | | | | | 50 | 27 | 3.091 | 3.846 | 4.713 | 5.699 | 6.812 | | | | | 74 | 43 |
| | | | | | | 32 | 2.896 | 3.616 | 4.442 | 5.381 | 6.441 | | | | | | |
| | | | | | | 38 | - | 3.327 | 4.102 | 4.983 | 5.977 | | | | | | |
| | | | | | | 43 | - | 3.076 | 3.806 | 4.637 | 5.577 | | | | | | |
| | | | | | 75 | 27 | 4.505 | 5.569 | 6.792 | 8.183 | 9.752 | | | | | 74 | 43 |
| | | | | | | 32 | 4.227 | 5.238 | 6.396 | 7.713 | 9.200 | | | | | | |
| | | | | | | 38 | - | 4.827 | 5.907 | 7.136 | 8.523 | | | | | | |
| | | | | | | 43 | - | 4.472 | 5.487 | 6.641 | 7.945 | | | | | | |
| | | | | | 100 | 27 | 5.773 | 7.090 | 8.615 | 10.361 | 12.338 | | | | | 75 | 44 |
| | | | | | | 32 | 5.439 | 6.683 | 8.119 | 9.765 | 11.631 | 6.814 | 3.837 | 1.78 | 3.29 | | |
| | | | | | | 38 | - | 6.185 | 7.518 | 9.045 | 10.779 | | | | | | |
| | | | | | | 43 | - | 5.757 | 7.006 | 8.436 | 10.061 | | | | | | |
| OP-MPPM044VVL | 114X4334 | P01 | VLZ044TGA | E | 30 | 27 | 2.364 | 2.954 | 3.637 | 4.422 | 5.317 | | | | 73 | 42 | |
| | | | | | | 32 | 2.213 | 2.776 | 3.429 | 4.180 | 5.037 | | | | | | |
| | | | | | | 38 | - | - | - | - | - | | | | | | |
| | | | | | | 43 | - | - | - | - | - | | | | | | |
| | | | | | 50 | 27 | 3.894 | 4.834 | 5.915 | 7.145 | 8.532 | | | | | 74 | 43 |
| | | | | | | 32 | 3.650 | 4.544 | 5.570 | 6.739 | 8.058 | | | | | | |
| | | | | | | 38 | - | 4.185 | 5.144 | 6.238 | 7.473 | | | | | | |
| | | | | | | 43 | - | 3.876 | 4.779 | 5.808 | 6.973 | | | | | | |
| | | | | | 75 | 27 | 5.674 | 7.003 | 8.510 | 10.203 | 12.087 | | | | | 75 | 44 |
| | | | | | | 32 | 5.308 | 6.572 | 8.003 | 9.609 | 11.397 | | | | | | |
| | | | | | | 38 | - | 6.034 | 7.371 | 8.873 | 10.544 | | | | | | |
| | | | | | | 43 | - | 5.566 | 6.825 | 8.237 | 9.810 | | | | | | |
| | | | | | 100 | 27 | 7.289 | 8.959 | 10.828 | 12.899 | 15.173 | | | | | 76 | 45 |
| | | | | | | 32 | 6.786 | 8.375 | 10.149 | 12.112 | 14.265 | 8.558 | 4.753 | 1.80 | 3.73 | | |
| | | | | | | 38 | - | 7.634 | 9.291 | 11.123 | 13.130 | | | | | | |
| | | | | | | 43 | - | 6.982 | 8.539 | 10.260 | 12.145 | | | | | | |

MBP

(1) E - Compressor 400V/3~/50Hz, fan 230V/1~/50Hz

(2) Nominal conditions (EN13215), Evaporating temperatures at dew point, Superheat 10K, Subcooling 0K

(3) Rated conditions (EN13215), Evaporating temperature (dew point) -10°C, Ambient air temperature +32°C, Return Gas Temperature 20°C, Subcooling 0K

SEPR, Seasonal Energy Performance Ratio

Q [kW], Cooling Capacity

P [kW], Power Input



For regular updates and detailed capacities, please refer to **Coolselector®2** software



| Model | Code | Version | Compressor | Electrical code (1) | Compressor speed, rps | Tamb [°C] | Cooling capacity Q [kW] (2) | | | | | EcoDesign (3) | | | | Sound power level dB(A) | Sound pressure level 10 m dB(A) | | | |
|---------------|----------|---------|------------|---------------------|-----------------------|-----------|-----------------------------|--------|-------|--------|--------|---------------|--------|-----|------|-------------------------|---------------------------------|----|----|----|
| | | | | | | | Te [°C] | | | | | Q [kW] | P [kW] | COP | SEPR | | | | | |
| | | | | | | | -15 °C | -10 °C | -5 °C | 0 °C | 5 °C | | | | | | | | | |
| OP-MPPM028VVL | 114X4302 | P01 | VLZ028TGA | E | 30 | 27 | 1.435 | 1.797 | 2.227 | 2.732 | 3.320 | | | | | | 73 | 42 | | |
| | | | | | | 32 | 1.345 | 1.686 | 2.092 | 2.570 | 3.128 | | | | | | | | | |
| | | | | | | 38 | - | 1.557 | 1.934 | 2.380 | 2.902 | | | | | | | | | |
| | | | | | | 43 | - | - | - | - | - | | | | | | | | | |
| | | | | | 50 | 27 | 2.382 | 2.994 | 3.711 | 4.543 | 5.499 | | | | | | | | 73 | 42 |
| | | | | | | 32 | 2.243 | 2.829 | 3.515 | 4.310 | 5.224 | | | | | | | | | |
| | | | | | | 38 | - | 2.622 | 3.267 | 4.015 | 4.876 | | | | | | | | | |
| | | | | | | 43 | - | 2.442 | 3.050 | 3.757 | 4.571 | | | | | | | | | |
| | | | | | 75 | 27 | 3.499 | 4.412 | 5.470 | 6.686 | 8.069 | | | | | | | | 74 | 43 |
| | | | | | | 32 | 3.306 | 4.177 | 5.183 | 6.339 | 7.654 | | | | | | | | | |
| | | | | | | 38 | - | 3.879 | 4.821 | 5.901 | 7.131 | | | | | | | | | |
| | | | | | | 43 | - | 3.618 | 4.503 | 5.519 | 6.676 | | | | | | | | | |
| 100 | 27 | 4.549 | 5.740 | 7.106 | 8.660 | 10.413 | | | | | | | | 75 | 44 | | | | | |
| | 32 | 4.313 | 5.438 | 6.726 | 8.192 | 9.847 | 5.539 | 2.834 | 1.95 | 3.49 | | | | | | | | | | |
| | 38 | - | 5.067 | 6.261 | 7.621 | 9.158 | | | | | | | | | | | | | | |
| | 43 | - | 4.747 | 5.864 | 7.135 | 8.575 | | | | | | | | | | | | | | |
| OP-MPPM035VVL | 114X4316 | P01 | VLZ035TGA | E | 30 | 27 | 1.806 | 2.259 | 2.796 | 3.426 | 4.157 | | | | | | 72 | 41 | | |
| | | | | | | 32 | 1.692 | 2.119 | 2.626 | 3.223 | 3.916 | | | | | | | | | |
| | | | | | | 38 | - | 1.956 | 2.427 | 2.983 | 3.632 | | | | | | | | | |
| | | | | | | 43 | - | - | - | - | - | | | | | | | | | |
| | | | | | 50 | 27 | 2.988 | 3.751 | 4.643 | 5.674 | 6.854 | | | | | | | 72 | 41 | |
| | | | | | | 32 | 2.812 | 3.542 | 4.393 | 5.378 | 6.504 | | | | | | | | | |
| | | | | | | 38 | - | 3.279 | 4.079 | 5.003 | 6.061 | | | | | | | | | |
| | | | | | | 43 | - | 3.051 | 3.803 | 4.674 | 5.674 | | | | | | | | | |
| | | | | | 75 | 27 | 4.374 | 5.503 | 6.805 | 8.291 | 9.973 | | | | | | | 73 | 42 | |
| | | | | | | 32 | 4.128 | 5.203 | 6.439 | 7.849 | 9.443 | | | | | | | | | |
| | | | | | | 38 | - | 4.824 | 5.977 | 7.292 | 8.779 | | | | | | | | | |
| | | | | | | 43 | - | 4.492 | 5.573 | 6.806 | 8.201 | | | | | | | | | |
| 100 | 27 | 5.666 | 7.124 | 8.782 | 10.652 | 12.744 | | | | | | | 75 | 44 | | | | | | |
| | 32 | 5.367 | 6.741 | 8.302 | 10.064 | 12.035 | 6.876 | 3.494 | 1.97 | 3.63 | | | | | | | | | | |
| | 38 | - | 6.270 | 7.715 | 9.345 | 11.172 | | | | | | | | | | | | | | |
| | 43 | - | 5.864 | 7.212 | 8.734 | 10.442 | | | | | | | | | | | | | | |
| OP-MPPM044VVL | 114X4334 | P01 | VLZ044TGA | E | 30 | 27 | 2.303 | 2.877 | 3.556 | 4.350 | 5.268 | | | | | | 73 | 42 | | |
| | | | | | | 32 | 2.159 | 2.699 | 3.339 | 4.091 | 4.962 | | | | | | | | | |
| | | | | | | 38 | - | 2.491 | 3.085 | 3.785 | 4.600 | | | | | | | | | |
| | | | | | | 43 | - | - | - | - | - | | | | | | | | | |
| | | | | | 50 | 27 | 3.796 | 4.757 | 5.876 | 7.163 | 8.629 | | | | | | | 73 | 42 | |
| | | | | | | 32 | 3.569 | 4.487 | 5.553 | 6.779 | 8.175 | | | | | | | | | |
| | | | | | | 38 | - | 4.148 | 5.146 | 6.294 | 7.602 | | | | | | | | | |
| | | | | | | 43 | - | 3.852 | 4.790 | 5.870 | 7.101 | | | | | | | | | |
| | | | | | 75 | 27 | 5.527 | 6.933 | 8.542 | 10.363 | 12.405 | | | | | | | 74 | 43 | |
| | | | | | | 32 | 5.208 | 6.543 | 8.067 | 9.790 | 11.720 | | | | | | | | | |
| | | | | | | 38 | - | 6.052 | 7.468 | 9.069 | 10.862 | | | | | | | | | |
| | | | | | | 43 | - | 5.620 | 6.944 | 8.440 | 10.117 | | | | | | | | | |
| 100 | 27 | 7.125 | 8.914 | 10.926 | 13.170 | 15.649 | | | | | | | 74 | 43 | | | | | | |
| | 32 | 6.738 | 8.421 | 10.311 | 12.419 | 14.750 | 8.612 | 4.446 | 1.94 | 3.71 | | | | | | | | | | |
| | 38 | - | 7.813 | 9.557 | 11.502 | 13.656 | | | | | | | | | | | | | | |
| | 43 | - | 7.288 | 8.911 | 10.721 | 12.728 | | | | | | | | | | | | | | |

MBP

(1) E - Compressor 400V/3~/50Hz, fan 230V/1~/50Hz

(2) Nominal conditions (EN13215), Evaporating temperatures at dew point, Superheat 10K, Subcooling 0K

(3) Rated conditions (EN13215), Evaporating temperature (dew point) -10°C, Ambient air temperature +32°C, Return Gas Temperature 20°C, Subcooling 0K

SEPR, Seasonal Energy Performance Ratio

Q [kW], Cooling Capacity

P [kW], Power Input



For regular updates and detailed capacities, please refer to **Coolselector®2** software



| Model | Code | Version | Compressor | Electrical code (1) | Compressor speed, rps | Tamb [°C] | Cooling capacity Q [kW] (2) | | | | | EcoDesign (3) | | | | Sound power level dB(A) | Sound pressure level 10 m dB(A) |
|---------------|----------|---------|------------|---------------------|-----------------------|-----------|-----------------------------|--------|-------|--------|--------|---------------|--------|-----|------|-------------------------|---------------------------------|
| | | | | | | | Te [°C] | | | | | Q [kW] | P [kW] | COP | SEPR | | |
| | | | | | | | -15 °C | -10 °C | -5 °C | 0 °C | 5 °C | | | | | | |
| OP-MPPM028VVL | 114X4302 | P01 | VLZ028TGA | E | 30 | 27 | 1.534 | 1.915 | 2.363 | 2.888 | 3.496 | | | | | 73 | 42 |
| | | | | | | 32 | 1.447 | 1.808 | 2.234 | 2.733 | 3.313 | | | | | | |
| | | | | | | 38 | - | 1.679 | 2.078 | 2.547 | 3.092 | | | | | | |
| | | | | | | 43 | - | - | - | - | - | | | | | | |
| | | | | | 50 | 27 | 2.598 | 3.258 | 4.022 | 4.900 | 5.902 | | | | | 73 | 42 |
| | | | | | | 32 | 2.450 | 3.083 | 3.815 | 4.655 | 5.613 | | | | | | |
| | | | | | | 38 | - | 2.862 | 3.555 | 4.349 | 5.254 | | | | | | |
| | | | | | | 43 | - | 2.669 | 3.328 | 4.083 | 4.943 | | | | | | |
| | | | | | 75 | 27 | 3.826 | 4.792 | 5.901 | 7.163 | 8.590 | | | | | 74 | 43 |
| | | | | | | 32 | 3.612 | 4.539 | 5.600 | 6.806 | 8.169 | | | | | | |
| | | | | | | 38 | - | 4.220 | 5.223 | 6.362 | 7.647 | | | | | | |
| | | | | | | 43 | - | 3.942 | 4.895 | 5.977 | 7.197 | | | | | | |
| 100 | 27 | 4.950 | 6.174 | 7.573 | 9.158 | 10.939 | | | | | 75 | 44 | | | | | |
| | 32 | 4.689 | 5.857 | 7.191 | 8.703 | 10.400 | 5.905 | 2.979 | 1.98 | 3.58 | | | | | | | |
| | 38 | - | 5.470 | 6.724 | 8.145 | 9.742 | | | | | | | | | | | |
| | 43 | - | 5.141 | 6.327 | 7.671 | 9.182 | | | | | | | | | | | |
| OP-MPPM035VVL | 114X4316 | P01 | VLZ035TGA | E | 30 | 27 | 1.931 | 2.408 | 2.969 | 3.623 | 4.380 | | | | | 72 | 41 |
| | | | | | | 32 | 1.820 | 2.272 | 2.805 | 3.428 | 4.149 | | | | | | |
| | | | | | | 38 | - | 2.110 | 2.609 | 3.193 | 3.871 | | | | | | |
| | | | | | | 43 | - | - | - | - | - | | | | | | |
| | | | | | 50 | 27 | 3.258 | 4.080 | 5.029 | 6.116 | 7.351 | | | | | 72 | 41 |
| | | | | | | 32 | 3.069 | 3.858 | 4.766 | 5.804 | 6.984 | | | | | | |
| | | | | | | 38 | - | 3.577 | 4.435 | 5.416 | 6.529 | | | | | | |
| | | | | | | 43 | - | 3.330 | 4.147 | 5.078 | 6.135 | | | | | | |
| | | | | | 75 | 27 | 4.776 | 5.970 | 7.334 | 8.878 | 10.612 | | | | | 73 | 42 |
| | | | | | | 32 | 4.503 | 5.648 | 6.951 | 8.425 | 10.079 | | | | | | |
| | | | | | | 38 | - | 5.242 | 6.472 | 7.860 | 9.417 | | | | | | |
| | | | | | | 43 | - | 4.888 | 6.055 | 7.372 | 8.847 | | | | | | |
| 100 | 27 | 6.156 | 7.655 | 9.358 | 11.274 | 13.409 | | | | | 75 | 44 | | | | | |
| | 32 | 5.825 | 7.254 | 8.876 | 10.699 | 12.731 | 7.326 | 3.682 | 1.99 | 3.71 | | | | | | | |
| | 38 | - | 6.764 | 8.286 | 9.996 | 11.902 | | | | | | | | | | | |
| | 43 | - | 6.347 | 7.783 | 9.397 | 11.198 | | | | | | | | | | | |
| OP-MPPM044VVL | 114X4334 | P01 | VLZ044TGA | E | 30 | 27 | 2.464 | 3.068 | 3.778 | 4.603 | 5.555 | | | | | 73 | 42 |
| | | | | | | 32 | 2.322 | 2.895 | 3.568 | 4.354 | 5.260 | | | | | | |
| | | | | | | 38 | - | 2.686 | 3.316 | 4.052 | 4.903 | | | | | | |
| | | | | | | 43 | - | - | - | - | - | | | | | | |
| | | | | | 50 | 27 | 4.135 | 5.170 | 6.359 | 7.714 | 9.244 | | | | | 73 | 42 |
| | | | | | | 32 | 3.891 | 4.882 | 6.019 | 7.311 | 8.771 | | | | | | |
| | | | | | | 38 | - | 4.519 | 5.591 | 6.809 | 8.184 | | | | | | |
| | | | | | | 43 | - | 4.200 | 5.218 | 6.374 | 7.677 | | | | | | |
| | | | | | 75 | 27 | 6.024 | 7.510 | 9.195 | 11.089 | 13.196 | | | | | 74 | 43 |
| | | | | | | 32 | 5.670 | 7.092 | 8.700 | 10.503 | 12.509 | | | | | | |
| | | | | | | 38 | - | 6.567 | 8.080 | 9.774 | 11.658 | | | | | | |
| | | | | | | 43 | - | 6.107 | 7.540 | 9.143 | 10.924 | | | | | | |
| 100 | 27 | 7.723 | 9.567 | 11.641 | 13.951 | 16.496 | | | | | 74 | 43 | | | | | |
| | 32 | 7.298 | 9.052 | 11.023 | 13.215 | 15.631 | 9.164 | 4.701 | 1.95 | 3.78 | | | | | | | |
| | 38 | - | 8.421 | 10.265 | 12.315 | 14.574 | | | | | | | | | | | |
| | 43 | - | 7.884 | 9.618 | 11.548 | 13.675 | | | | | | | | | | | |

MBP

(1) E - Compressor 400V/3~/50Hz, fan 230V/1~/50Hz

(2) Nominal conditions (EN13215), Evaporating temperatures at dew point, Superheat 10K, Subcooling 0K

(3) Rated conditions (EN13215), Evaporating temperature (dew point) -10°C, Ambient air temperature +32°C, Return Gas Temperature 20°C, Subcooling 0K

SEPR, Seasonal Energy Performance Ratio

Q [kW], Cooling Capacity

P [kW], Power Input



For regular updates and detailed capacities, please refer to **Coolselector®2** software



| Model | Code | Version | Compressor | Electrical code (1) | Compressor speed, rps | Tamb [°C] | Cooling capacity Q [kW] (2) | | | | | EcoDesign (3) | | | | Sound power level dB(A) | Sound pressure level 10 m dB(A) | | | | | |
|---------------|----------|---------|------------|---------------------|-----------------------|-----------|-----------------------------|-----------|--------|--------|--------|---------------|--------|-------|-------|-------------------------|---------------------------------|----|----|--|----|----|
| | | | | | | | Te [°C] | | | | | Q [kW] | P [kW] | COP | SEPR | | | | | | | |
| | | | | | | | -15 °C | -10 °C | -5 °C | 0 °C | 5 °C | | | | | | | | | | | |
| OP-MPPM028VVL | 114X4302 | P01 | VLZ028TGA | E | 30 | 27 | 1.597 | 1.990 | 2.446 | 2.972 | 3.573 | | | | | 71 | 40 | | | | | |
| | | | | | | 32 | 1.484 | 1.854 | 2.284 | 2.780 | 3.349 | | | | | | | | | | | |
| | | | | | | 38 | - | - | - | - | - | | | | | | | | | | | |
| | | | | | | 43 | - | - | - | - | - | | | | | | | | | | | |
| | | | | | 50 | 27 | 2.700 | 3.340 | 4.080 | 4.929 | 5.894 | | | | | | | 72 | 41 | | | |
| | | | | | | 32 | 2.505 | 3.106 | 3.802 | 4.601 | 5.510 | | | | | | | | | | | |
| | | | | | | 38 | 2.266 | 2.820 | 3.461 | 4.198 | 5.039 | | | | | | | | | | | |
| | | | | | | 43 | 2.060 | 2.574 | 3.168 | 3.853 | 4.636 | | | | | | | | | | | |
| | | | | | 75 | 27 | 3.994 | 4.916 | 5.976 | 7.181 | 8.542 | | | | | | | 73 | 42 | | | |
| | | | | | | 32 | 3.707 | 4.574 | 5.569 | 6.701 | 7.981 | | | | | | | | | | | |
| | | | | | | 38 | 3.354 | 4.151 | 5.066 | 6.110 | 7.290 | | | | | | | | | | | |
| | | | | | | 43 | 3.048 | 3.785 | 4.633 | 5.600 | 6.698 | | | | | | | | | | | |
| | | | | | 100 | 27 | 5.202 | 6.381 | 7.724 | 9.241 | 10.939 | | | | | | | 74 | 43 | | | |
| | | | | | | 32 | 4.832 | 5.939 | 7.198 | 8.620 | 10.214 | 6.250 | 3.328 | 1.88 | 3.47 | | | | | | | |
| | | | | | | 38 | 4.368 | 5.384 | 6.539 | 7.845 | 9.310 | | | | | | | | | | | |
| | | | | | | 43 | 3.962 | 4.899 | 5.965 | 7.171 | 8.528 | | | | | | | | | | | |
| | | | | | OP-MPPM035VVL | 114X4316 | P01 | VLZ035TGA | E | 30 | 27 | 2.027 | 2.517 | 3.085 | 3.739 | 4.485 | | | | | 73 | 42 |
| | | | | | | | | | | | 32 | 1.878 | 2.339 | 2.875 | 3.491 | 4.196 | | | | | | |
| | | | | | | | | | | | 38 | - | - | - | - | - | | | | | | |
| | | | | | | | | | | | 43 | - | - | - | - | - | | | | | | |
| 50 | 27 | 3.402 | 4.193 | 5.108 | | | | | | 6.153 | 7.338 | | | | | | | 74 | 43 | | | |
| | 32 | 3.158 | 3.899 | 4.755 | | | | | | 5.735 | 6.846 | | | | | | | | | | | |
| | 38 | 2.854 | 3.533 | 4.317 | | | | | | 5.215 | 6.236 | | | | | | | | | | | |
| | 43 | 2.590 | 3.215 | 3.937 | | | | | | 4.766 | 5.711 | | | | | | | | | | | |
| 75 | 27 | 4.962 | 6.087 | 7.381 | | | | | | 8.853 | 10.511 | | | | | | | 74 | 43 | | | |
| | 32 | 4.610 | 5.659 | 6.866 | | | | | | 8.240 | 9.790 | | | | | | | | | | | |
| | 38 | 4.169 | 5.126 | 6.226 | | | | | | 7.481 | 8.899 | | | | | | | | | | | |
| | 43 | 3.784 | 4.662 | 5.672 | | | | | | 6.826 | 8.133 | | | | | | | | | | | |
| 100 | 27 | 6.354 | 7.768 | 9.389 | | | | | | 11.226 | 13.287 | | | | | | | 75 | 44 | | | |
| | 32 | 5.901 | 7.218 | 8.727 | | | | | | 10.438 | 12.36 | 7.614 | 4.088 | 1.86 | 3.77 | | | | | | | |
| | 38 | 5.331 | 6.529 | 7.901 | | | | | | 9.460 | 11.214 | | | | | | | | | | | |
| | 43 | 4.828 | 5.926 | 7.183 | | | | | | 8.614 | 10.227 | | | | | | | | | | | |
| OP-MPPM044VVL | 114X4334 | P01 | VLZ044TGA | E | | | | | | 30 | 27 | 2.620 | 3.236 | 3.949 | 4.767 | 5.698 | | | | | 73 | 42 |
| | | | | | | | | | | | 32 | 2.426 | 3.008 | 3.681 | 4.453 | 5.334 | | | | | | |
| | | | | | | | | | | | 38 | - | - | - | - | - | | | | | | |
| | | | | | | | | | | | 43 | - | - | - | - | - | | | | | | |
| | | | | | 50 | 27 | 4.322 | 5.303 | 6.426 | 7.700 | 9.134 | | | | | | | 74 | 43 | | | |
| | | | | | | 32 | 4.012 | 4.932 | 5.987 | 7.183 | 8.532 | | | | | | | | | | | |
| | | | | | | 38 | 3.623 | 4.470 | 5.439 | 6.541 | 7.784 | | | | | | | | | | | |
| | | | | | | 43 | 3.284 | 4.067 | 4.964 | 5.985 | 7.139 | | | | | | | | | | | |
| | | | | | 75 | 27 | 6.267 | 7.656 | 9.231 | 10.997 | 12.960 | | | | | | | 75 | 44 | | | |
| | | | | | | 32 | 5.812 | 7.111 | 8.583 | 10.234 | 12.070 | | | | | | | | | | | |
| | | | | | | 38 | 5.243 | 6.432 | 7.777 | 9.289 | 10.972 | | | | | | | | | | | |
| | | | | | | 43 | 4.744 | 5.839 | 7.078 | 8.472 | 10.027 | | | | | | | | | | | |
| | | | | | 100 | 27 | 8.008 | 9.755 | 11.715 | 13.888 | 16.273 | | | | | | | 76 | 45 | | | |
| | | | | | | 32 | 7.406 | 9.033 | 10.856 | 12.879 | 15.102 | 9.560 | 5.220 | 1.83 | 3.76 | | | | | | | |
| | | | | | | 38 | 6.648 | 8.128 | 9.785 | 11.626 | 13.651 | | | | | | | | | | | |
| | | | | | | 43 | 5.980 | 7.335 | 8.852 | 10.539 | 12.399 | | | | | | | | | | | |

MBP

(1) E - Compressor 400V/3~/50Hz, fan 230V/1~/50Hz

(2) Nominal conditions (EN13215), Evaporating temperatures at dew point, Superheat 10K, Subcooling 0K

(3) Rated conditions (EN13215), Evaporating temperature (dew point) -10°C, Ambient air temperature +32°C, Return Gas Temperature 20°C, Subcooling 0K

SEPR, Seasonal Energy Performance Ratio

Q [kW], Cooling Capacity

P [kW], Power Input



For regular updates and detailed capacities, please refer to **Coolselector®2** software



Optyma™ Plus INVERTER - Technical data

| Application | Code number | Model number | Compressor Model | Electrical Code (1) | Refrigerant (2) | Condenser Coil | | | Fan | | Receiver | Dimensions | | | | | Weight | | |
|-------------|-------------|-------------------|------------------|---------------------|-----------------|----------------|---------|-----------------|--------|---------|----------|------------|--------|-------|-------|--------------|-------------|-------|-----|
| | | | | | | Type | Airflow | Internal Volume | Number | Blade ø | Volume | Housing | Height | Width | Depth | Suction line | Liquid Line | Gross | Net |
| | P01 | (m³/h) | (dm³) | (mm) | (L) | mm | mm | mm | inch | inch | Kg | Kg | | | | | | | |
| MBP | 114X4302 | OP-MPPM028VVLP01E | VLZ028TGA | E | P | G7 | 5200 | 1.62 | 1 | 500 | 6.2 | H3 | 965 | 1406 | 481 | 3/4" | 5/8" | 150 | 124 |
| MBP | 114X4316 | OP-MPPM035VVLP01E | VLZ035TGA | E | P | G7 | 5200 | 1.62 | 1 | 500 | 6.2 | H3 | 965 | 1406 | 481 | 3/4" | 5/8" | 151 | 125 |
| MBP | 114X4334 | OP-MPPM044VVLP01E | VLZ044TGA | E | P | G7 | 5200 | 1.62 | 1 | 500 | 6.2 | H3 | 965 | 1406 | 481 | 3/4" | 5/8" | 151 | 125 |

(1) E - Compressor 400V/3~/50Hz, fan 230V/1~/50Hz

(2) P - R448A, R449A, R407A, R407F, R404A

Optyma™ Plus INVERTER - Spare parts & accessories - MBP

| Designation | OP-MPLM028 | OP-MPPM028 | OP-MPLM035 | OP-MPPM035 | OP-MPLM044 | OP-MPPM044 |
|-------------------------------------|------------|------------|------------|------------|------------|------------|
| Code Number | 114X4300* | 114X4302 | 114X4315* | 114X4316 | 114X4333* | 114X4334 |
| Compressor Description | VLZ028TGA | | VLZ035TGA | | VLZ044TGA | |
| Compressor oil | 120Z5034 | 120Z0648 | 120Z5034 | 120Z0648 | 120Z5034 | 120Z0648 |
| Spare Parts | | | | | | |
| Compressor | 120G0162 | | 120G0159 | | 120G0156 | |
| Condenser | 118U3494 | | 118U3494 | | 118U3494 | |
| Oil separator | 118U3981 | | 118U3981 | | 118U3982 | |
| Fan assembly | 118U3829 | | 118U3829 | | 118U3829 | |
| Fan cowl/grill | 118U3485 | | 118U3485 | | 118U3485 | |
| Filter | 023Z5045 | | 023Z5045 | | 023Z5045 | |
| High-pressure switch | 118U3718 | | 118U3718 | | 118U3718 | |
| Low-pressure switch | 118U3720 | | 118U3720 | | 118U3720 | |
| Receiver | 118U3476 | | 118U3476 | | 118U3476 | |
| Sight glass | 014F0174 | | 014F0174 | | 014F0174 | |
| Suction line valve | 009G7054 | | 009G7054 | | 009G7054 | |
| Liquid line valve | 009G7053 | | 009G7053 | | 009G7053 | |
| Electrical Spare Parts | | | | | | |
| Crankcase heater | 120Z5040 | | 120Z5040 | | 120Z5040 | |
| Controller | 118U3465 | | 118U3465 | | 118U3465 | |
| Discharge temperature sensor | 084N2007 | | 084N2007 | | 084N2007 | |
| High-pressure transmitter | 118U3722 | | 118U3722 | | 118U3722 | |
| Low-pressure transmitter | 118U3721 | | 118U3721 | | 118U3721 | |
| Suction and ambient temp sensor | 084N0003 | | 084N0003 | | 084N0003 | |
| Compressor contact | 118U3847 | | 118U3847 | | 118U3847 | |
| Door handle | 118U3858 | | 118U3858 | | 118U3858 | |
| Main switch | 118U3852 | 118U3854 | 118U3852 | 118U3854 | 118U3852 | 118U3854 |
| Compressor drive CDS803 | 118U3973 | | 118U3973 | | 118U3973 | |
| EMI filter (Drive) | 118U3972 | | 118U3972 | | 118U3972 | |
| EMI filter (Controller) | 118U3974 | | 118U3974 | | 118U3974 | |
| Electrical Characteristics | | | | | | |
| MCC Compressor [A] 400V/3phase | 8.1 | | 9.8 | | 12.0 | |
| Max cont.power consumption [kW] | 3.98 | | 4.94 | | 6.33 | |
| MCC Fan [A] 230V/1 phase | 0.96 | | 0.96 | | 0.96 | |
| Fan power output [W] | 1x130 | | 1x130 | | 1x130 | |
| Fan power consumption [W] | 1x220 | | 1x220 | | 1x220 | |
| Accessories (Not Premounted) | | | | | | |
| Acoustic hood | 120Z5043 | | 120Z5043 | | 120Z5043 | |
| Sheet Metal | | | | | | |
| Top panel | 118U5131 | | 118U5131 | | 118U5131 | |
| Fan Panel | 118U5132 | | 118U5132 | | 118U5132 | |
| Back panel | 118U5133 | | 118U5133 | | 118U5133 | |
| Front panel | 118U5134 | | 118U5134 | | 118U5134 | |
| Access panel | 118U5135 | | 118U5135 | | 118U5135 | |
| Left side panel | 118U5165 | | 118U5165 | | 118U5165 | |

MCC - Max Continuous Current

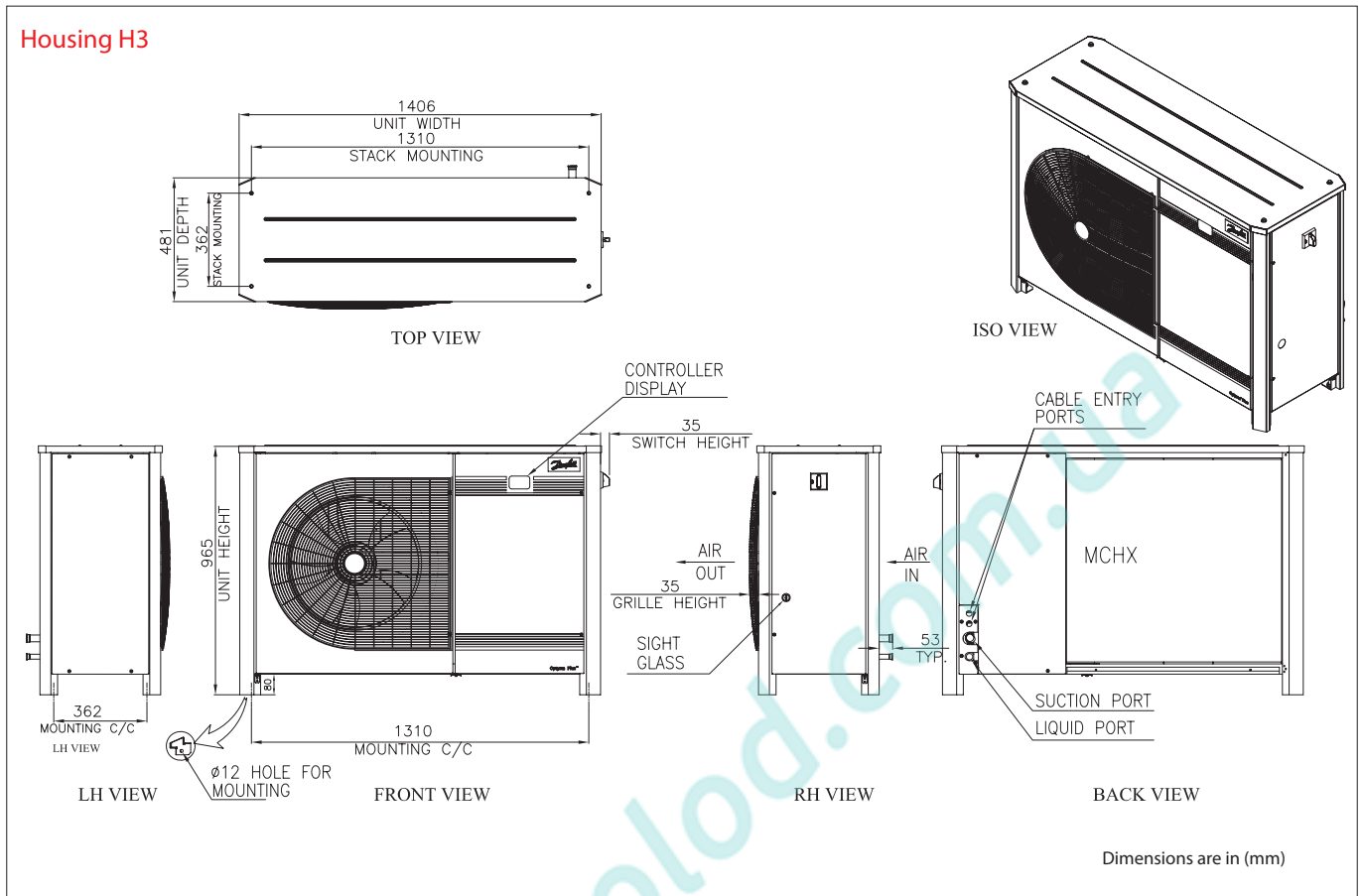
*Phased out model

NOTICE For service purpose original components (spare parts) recommended by Danfoss should be used.

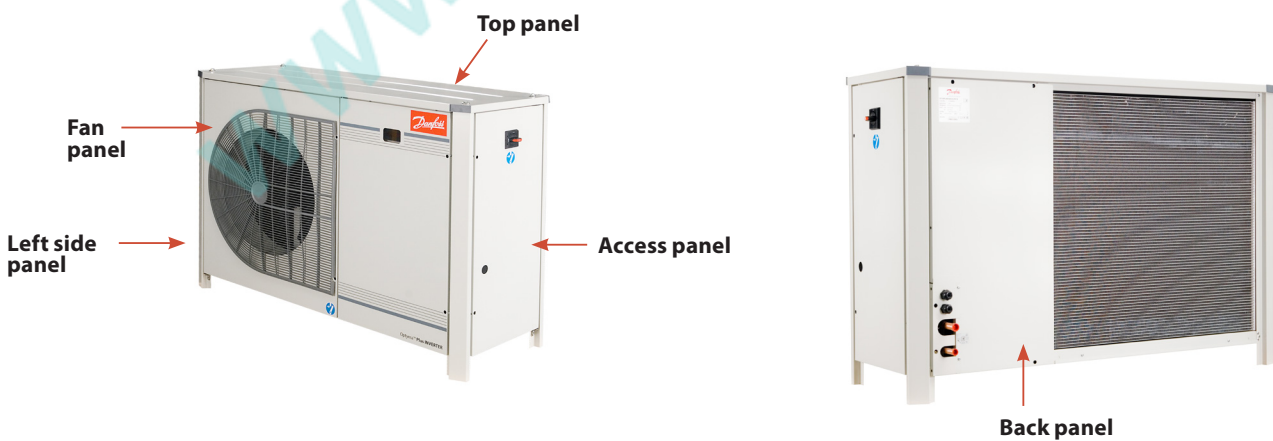
| Component type | Component code | Component description | Additional informations |
|---------------------------------|----------------|--|-------------------------|
| Compressor Single pack | 120G0162 | Compressor VLZ028TGNE9A/M | |
| Compressor Single pack | 120G0159 | Compressor VLZ035TGNE9A/M | |
| Compressor Single pack | 120G0156 | Compressor VLZ044TGNE9A/M | |
| Condenser | 118U3494 | CONDENSER COIL MCHX G7 | |
| Oil Separator | 118U3981 | SEPARATEUR HUILE SO/ER-31 OPTYMA INVERT | |
| Oil separator | 118U3982 | SEPARATEUR HUILE SO/ER16101 OPTYMA INVER | |
| Fan assembly | 118U3829 | FAN ASSEMBLIES, EBM, ERP2015 | |
| Fan cowl/grill | 118U3485 | FAN GRILL HOUSING 3 OP PLUS | |
| Filter | 023Z5045 | Filter drier DML 165 M/12 | |
| High-pressure switch | 118U3718 | HIGH PR SWITCH ACB-2UB463W | |
| Low-pressure switch | 118U3720 | LOW PR SWITCH ACB-2UA418W | |
| Receiver | 118U3476 | LIQUID RECEIVER 6,2L OP PLUS | |
| Sight glass | 014F0174 | Del-SGN+ 16 Sight Glass M/36 | |
| Suction valve | 009G7054 | GBC 18s Ball Valve M/25 | |
| Liquid valve | 009G7053 | GBC 16s Ball Valve M/25 | |
| Crankcase heater | 120Z5040 | CRANKCASE HEATER, 240V 70W | |
| Controller | 118U3465 | OPTYMA PLUS CONTROLLER-084B8080 | |
| Discharge temperature sensor | 084N2007 | Sensor AKS 21 A 2.5m | |
| High-pressure transmitter | 118U3722 | AKS HP PR TRANSMITTER | |
| Low-pressure transmitter | 118U3721 | AKS LP PR TRANSMITTER | |
| Suction and ambient temp sensor | 084N0003 | Sensor AKS 11 3.5m | |
| Compressor contact | 118U3847 | CONT, ABB-A16-30-01-80+CA5-11 | |
| Door handle | 118U3858 | HANDLE, ABB-OHB2AJM,MSMN,OX55X131 | |
| Compressor drive CDS803 | 118U3973 | Drive CDS803 7,5kW H OPTYMA INVERTER | |
| EMI filter (Drive) | 118U3972 | Filtre pour Drive EN 55011 class B (C1) | |
| EMI filter (Controller) | 118U3974 | CONTROLLER EMC/RFI FILTER OPTYMA PLUS | |
| Top Panel | 118U5131 | SPARE PART, SHEET METAL TOP H3 | |
| Fan panel | 118U5132 | SPARE PART, SHEET METAL FAN H3 | |
| Back panel | 118U5133 | SPARE PART, SHEET METAL BACK H3 | |
| Front Panel | 118U5134 | SPARE PART, SHEET METAL FRONT H3 | |
| Access Panel | 118U5135 | SPARE PART, SHEET METAL ACCESS H3 | |
| Left Side panel | 118U5165 | SPARE PART, SHEET METAL LEFT SIDE H3 | |
| Main switch | 118U3852 | MPCB, ABB-MS116-16+HK1-12 | |
| Main switch | 118U3854 | MPCB, ABB-MS132-20+HK1-12 | |
| Acoustic hood | 120Z5043 | ACCOUSTIC HOOD SMALL now use (120Z5083) | |

OP-MPLM028-035-044, OP-MPPM028-035-044

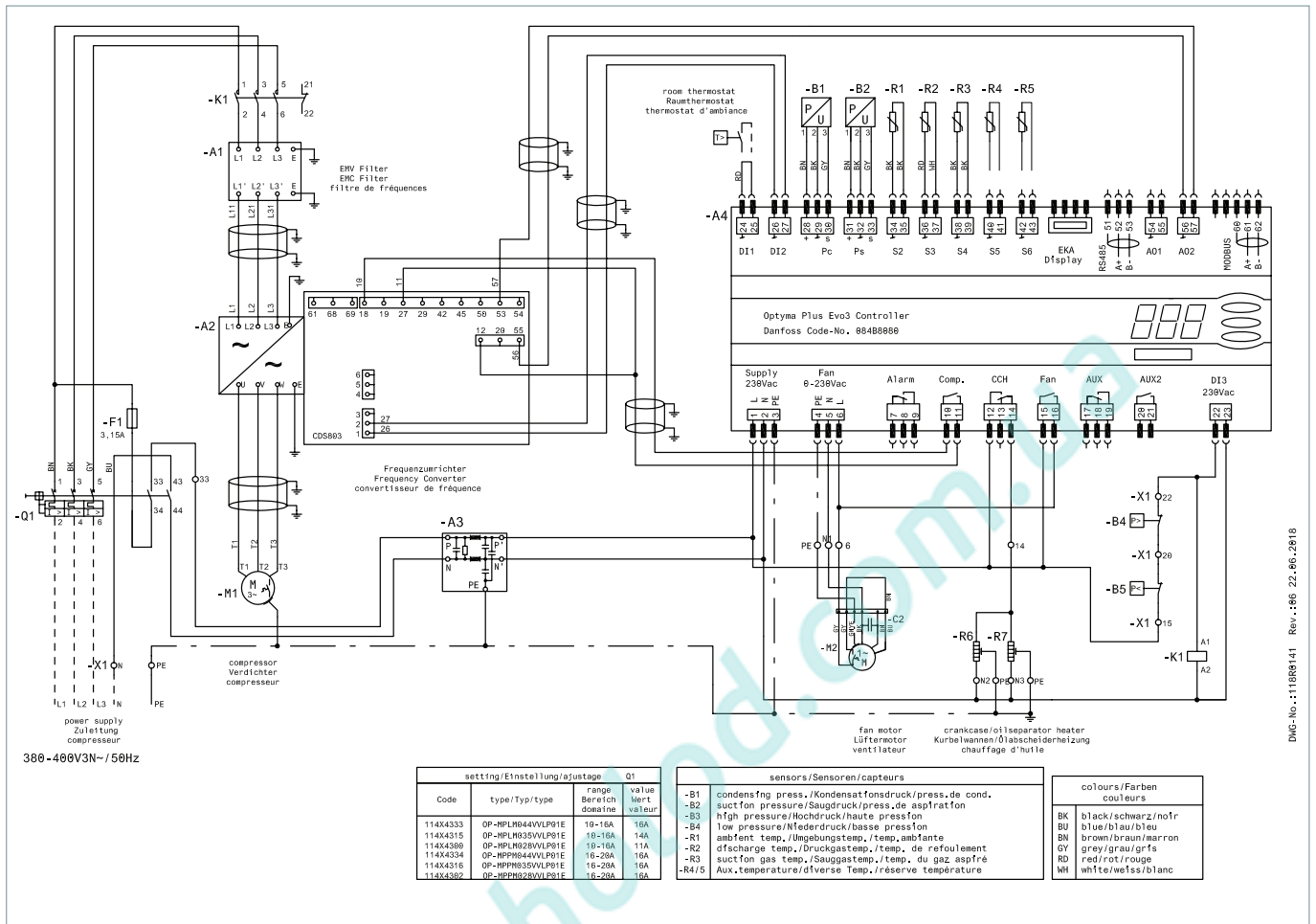
Housing H3



Optyma™ Plus INVERTER - Housing spare parts



OP-MPLM028-035-044, OP-MPPM028-035-044



- A1 : EMC/RFI Filter (Compressor)
- A2 : Frequency Converter
- A3 : EMI Filter (Controls)
- A4 : Optyma™ Plus Controller
- B1 : Condensing Pressure Transducer
- B2 : Suction Pressure Transducer
- B3 : High Pressure Switch

- B4 : Low Pressure Switch
- C1 : Run Capacitor (Fan)
- F1 : Fuse (Control Circuit)
- K1 : Contactor
- M1 : Compressor
- M2 : Fan Motor
- Q1 : Main Switch
- R1 : Ambient Temp. Sensor

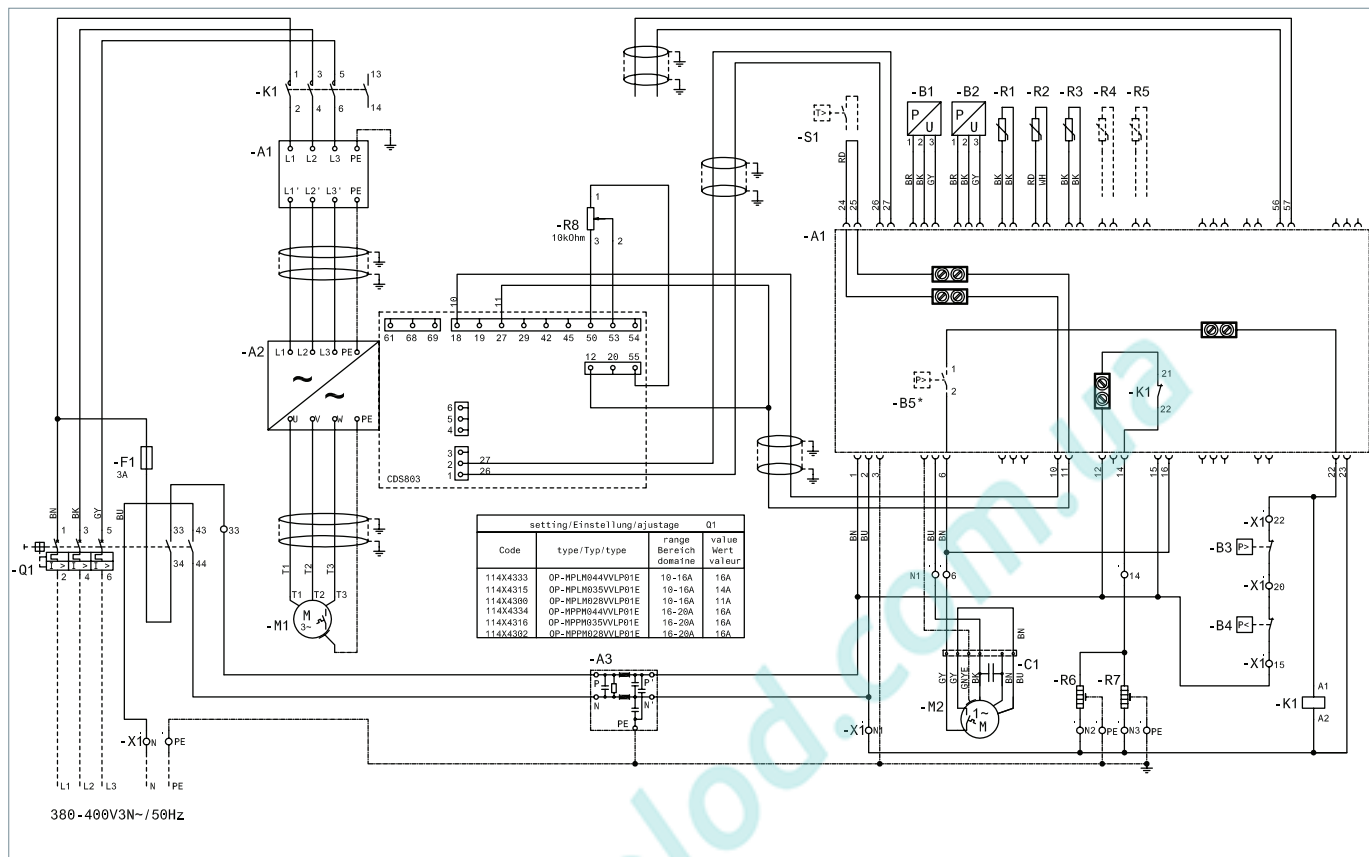
- R2 : Discharge Temp. Sensor
- R3 : Suction Temp. Sensor
- R4,R5 : Auxiliary Temp. Sensor (optional)
- R6 : Crankcase heater
- R7 : Oil Separator Heater
- S1 : Room Thermostat (optional)
- X1 : Terminal

- Supply : Supply
- Fan : Fan
- Alarm : Alarm
- Comp. : Compressor
- CCH : Crankcase Heater
- Aux : Auxiliary

DMG-No.:118R0141 Rev.:86-22.06.2019

www.danfoss.com

OP-MPLM028-035-044, OP-MPPM028-035-044 - Emergency Wiring



| setting/Einstellung/ajustage | | | Q1 |
|------------------------------|------------------|-----------------------------|-------------------------|
| Code | type/Typ/type | range Bereich domaïne | value Wert valeur |
| 114X4333 | OP-HPLM844VLP01E | 10-16A | 16A |
| 114X4315 | OP-HPLM835VLP01E | 10-16A | 16A |
| 114X4399 | OP-HPLM828VLP01E | 10-16A | 11A |
| 114X4334 | OP-HPPM844VLP01E | 16-20A | 16A |
| 114X4316 | OP-HPPM835VLP01E | 16-20A | 16A |
| 114X4392 | OP-HPPM828VLP01E | 16-20A | 16A |

- A1 : EMC/RFI Filter (Compressor)
- A2 : Frequency Converter
- A3 : EMI Filter (Controls)
- A4 : Optyma™ Plus Controller
- B1 : Condensing Pressure Transducer
- B2 : Suction Pressure Transducer
- B3 : High Pressure Switch
- B4 : Low Pressure Switch

- B5* : Fan Speed Controller / Pressure Switch
- C1 : Run Capacitor (Fan)
- F1 : Fuse (Control Circuit)
- K1 : Contactor
- M1 : Compressor
- M2 : Fan Motor
- Q1 : Main Switch
- R1 : Ambient Temp. Sensor

- R2 : Discharge Temp. Sensor
- R3 : Suction Temp. Sensor
- R4,R5 : Auxiliary Temp. Sensor (optional)
- R6 : Crankcase heater
- R7 : Oil Separator Heater
- R8 : Compressor Speed Potentiometer
- S1 : Room Thermostat (optional)
- X1 : Terminal

- Supply : Supply
- Fan : Fan
- Alarm : Alarm
- Comp. : Compressor
- CCH : Crankcase Heater
- Aux : Auxiliary

Danfoss Cooling

is a worldwide manufacturer of compressors and condensing units for refrigeration and HVAC applications. With a wide range of high quality and innovative products we help your company to find the best possible energy efficient solution that respects the environment and reduces total life cycle costs.

We have 40 years of experience within the development of hermetic compressors which has brought us amongst the global leaders in our business, and positioned us as distinct variable speed technology specialists. Today we operate from engineering and manufacturing facilities spanning across three continents.



Our products can be found in a variety of applications such as rooftops, chillers, residential air conditioners, heatpumps, coldrooms, supermarkets, milk tank cooling and industrial cooling processes.

www.danfoss.com

Danfoss, BP 331, 01603 Trévoux Cedex, France | +334 74 00 28 29

member of:



Danfoss can accept no responsibility for possible errors in catalogues, brochures and other printed material. Danfoss reserves the right to alter its products without notice. This also applies to products already on order provided that such alterations can be made without consequential changes being necessary in specifications already agreed. All trademarks in this material are property of the respective companies. Danfoss and the Danfoss logotype are trademarks of Danfoss A/S. All rights reserved.