

SC15/15DL MBP/HBP Twin Compressor R404A/R507 220-240V 50Hz

Data Sheet (Replaces CF.54.P2.02)

General

Compressor	SC15/15DL
Code number	104L4093

Application

Application	MBP/HBP	
Evaporating temperature range	°C	-20 to 15
Voltage range	V/Hz	198 - 254 /50
Motor type	CSR	
Max. ambient temperature	°C	38
Comp. cooling at ambient temp.	32°C	F ₂
	38°C	F ₂

Design

Displacement	cm ³	2 x 15.28
Oil quantity	cm ³	1220
Maximum refrigerant charge	g	2200
Free gas vol. in compressor	cm ³	2920
Weight without electrical equipment	kg	28.0

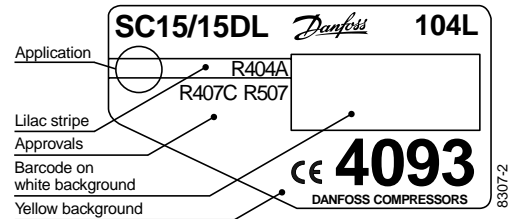
Motor

Motor size	watt	2 x 550
LRA (rated after 4 sec. UL984) HST*	A	21.8
Cut-in current HST*	A	21.8
Resistance, main and start winding (25°C)	Ω	3.5/12.1
Approvals	EN 60335-2-34	

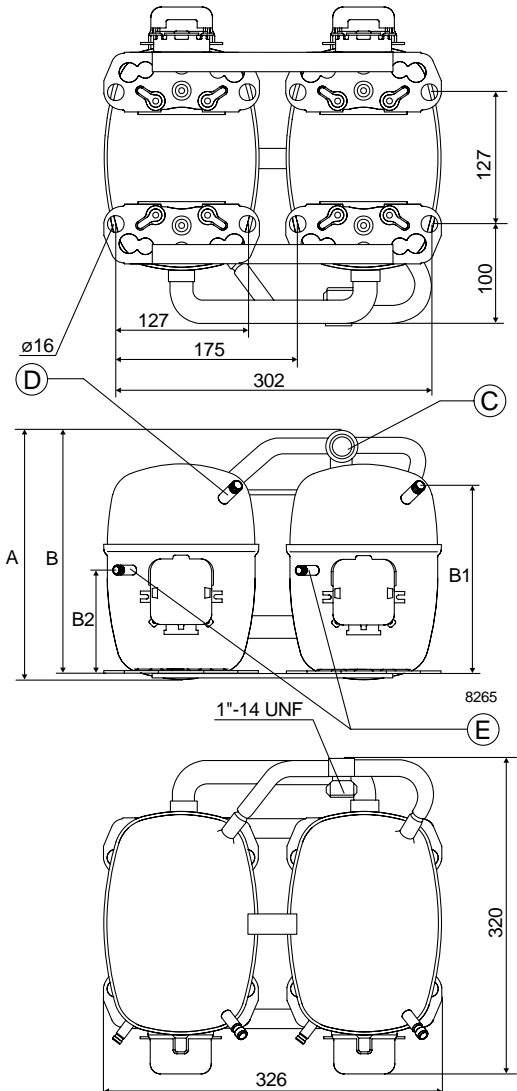
* Operational current for the second compressor time-delayed.

Dimensions

Height	mm	A	259
		B	254
		B1	193
		B2	110
Suction connector			
Service valve	location/I.D. mm	C	16
Solder connector	location/I.D. mm	C	16
Process connector	location/I.D. mm	D	6.2 ±0.09
Discharge connector	location/I.D. mm	E	6.2 ±0.09
Compressors on a pallet	pcs.		18



- S = Static cooling normally sufficient
- O = Oil cooling
- F₁ = Fan cooling 1.5 m/s
(compressor compartment temperature equal to ambient temperature)
- F₂ = Fan cooling 3.0 m/s necessary



Capacity (EN 12900/CECOMAF)**watt**

Comp.°C	-20	-15	-10	-5	0	5	7.2	10	15
SC15/15DL	1518	1928	2414	2985	3651	4420	4795	5304	6311

Capacity (ASHRAE)**watt**

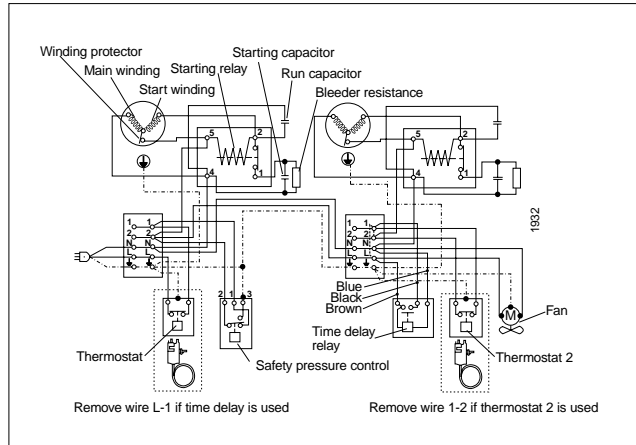
Comp.°C	-20	-15	-10	-5	0	5	7.2	10	15
SC15/15DL	1763	2242	2810	3479	4262	5170	5613	6218	7419

Power consumption**watt**

Comp.°C	-20	-15	-10	-5	0	5	7.2	10	15
SC15/15DL	1178	1319	1445	1556	1651	1730	1760	1793	1837

Current consumption**A**

Comp.°C	-20	-15	-10	-5	0	5	7.2	10	15
SC15/15DL	6.19	6.93	7.58	8.14	8.61	9.00	9.14	9.29	9.50

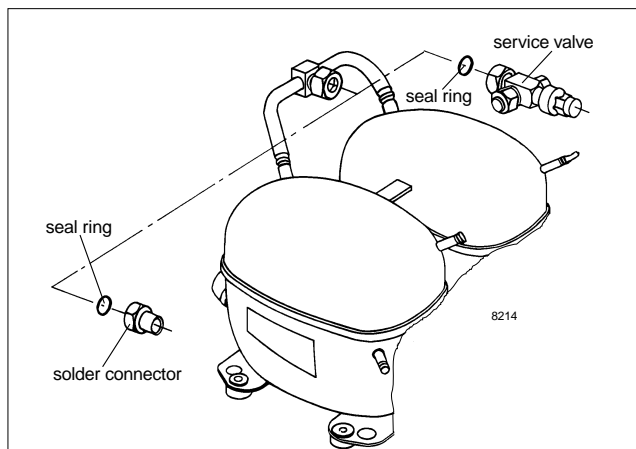
**COP (EN 12900/CECOMAF)****W/W**

Comp.°C	-20	-15	-10	-5	0	5	7.2	10	15
SC15/15DL	1.29	1.46	1.67	1.92	2.21	2.55	2.72	2.96	3.43

COP (ASHRAE)**W/W**

Comp.°C	-20	-15	-10	-5	0	5	7.2	10	15
SC15/15DL	1.50	1.70	1.94	2.24	2.58	2.99	3.19	3.47	4.04

Test conditions	EN 12900/CECOMAF	ASHRAE
Condensing temperature	45°C	45°C
Ambient and suction gas temp.	32°C	32°C
Liquid temperature	45°C	32°C
Fan cooling F ₂₁	220V 50Hz	

**Accessories**

Devices	pcs.	SC15/15DL
Starting device	2	117-7028 (470 mm cable length) 117-7029 (550 mm cable length) 117-7032 (650 mm cable length)
Cover	2	103N2009
Cord relief	2	103N1004
Time-delay relay	1	117N0001
Check valve (to be used with time-delay relay)	2	020-1014
Service valve	1	118-7351 (16 mm)
Solder connector (alternative)	1	118-7405 (16 mm)
Seal ring for service valve and solder connector	1	118-3638
Mounting accessories		
Bolt joint for one compressor	2	118-1917
Bolt joint in quantities		118-1918